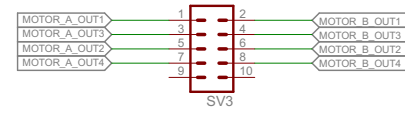
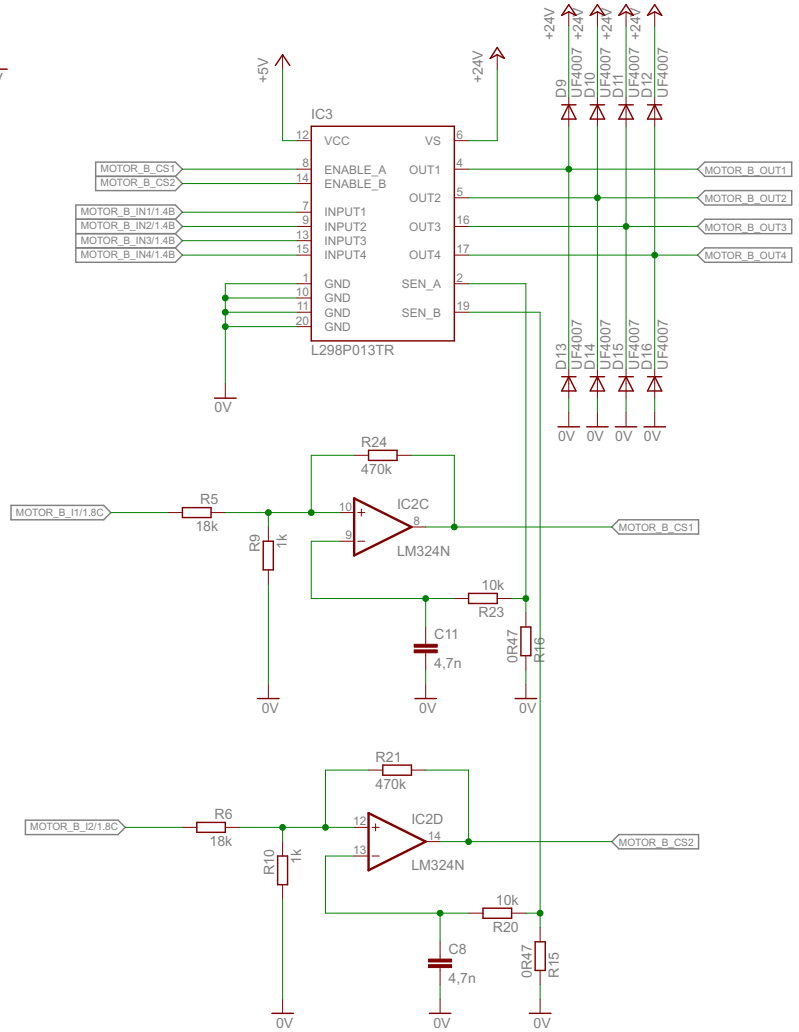
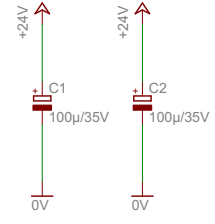
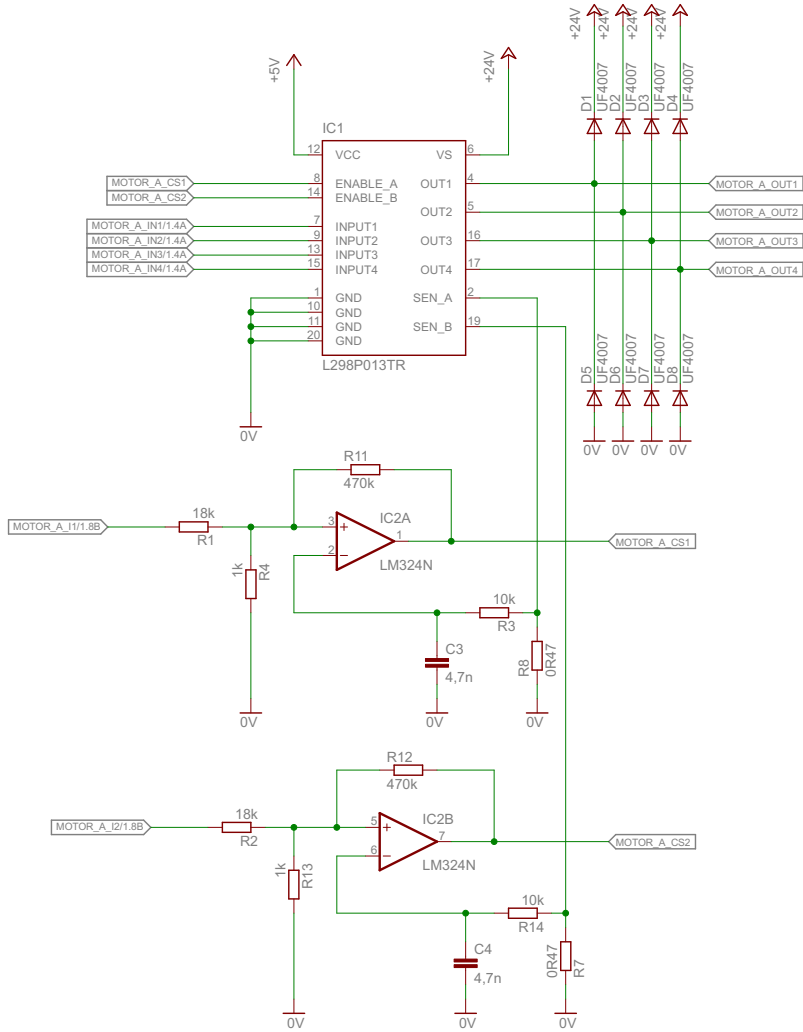


TITLE: Motor_Control	
Document Number:	REV:
Date: 01.12.2013 13:36:11	Sheet: 1/2



TITLE: Motor_Control	
Document Number:	REV:
Date: 01.12.2013 13:36:11	Sheet: 2/2