

STM32*breakout*

Dokument: 1.0, Hardware 13/1

STM32 Breakoutboard für die F1-Serie

[Assembly]

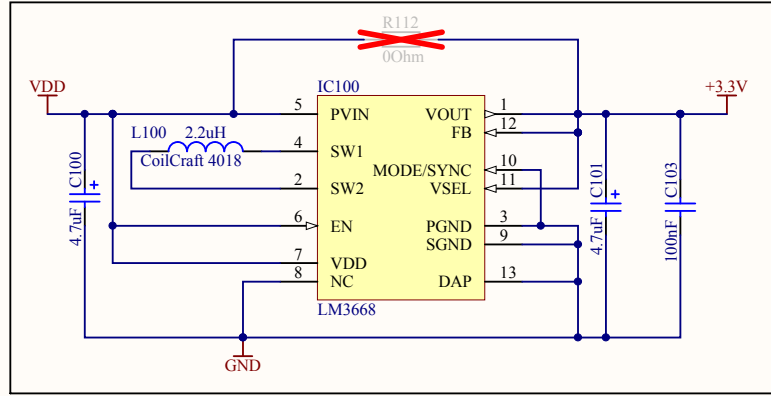
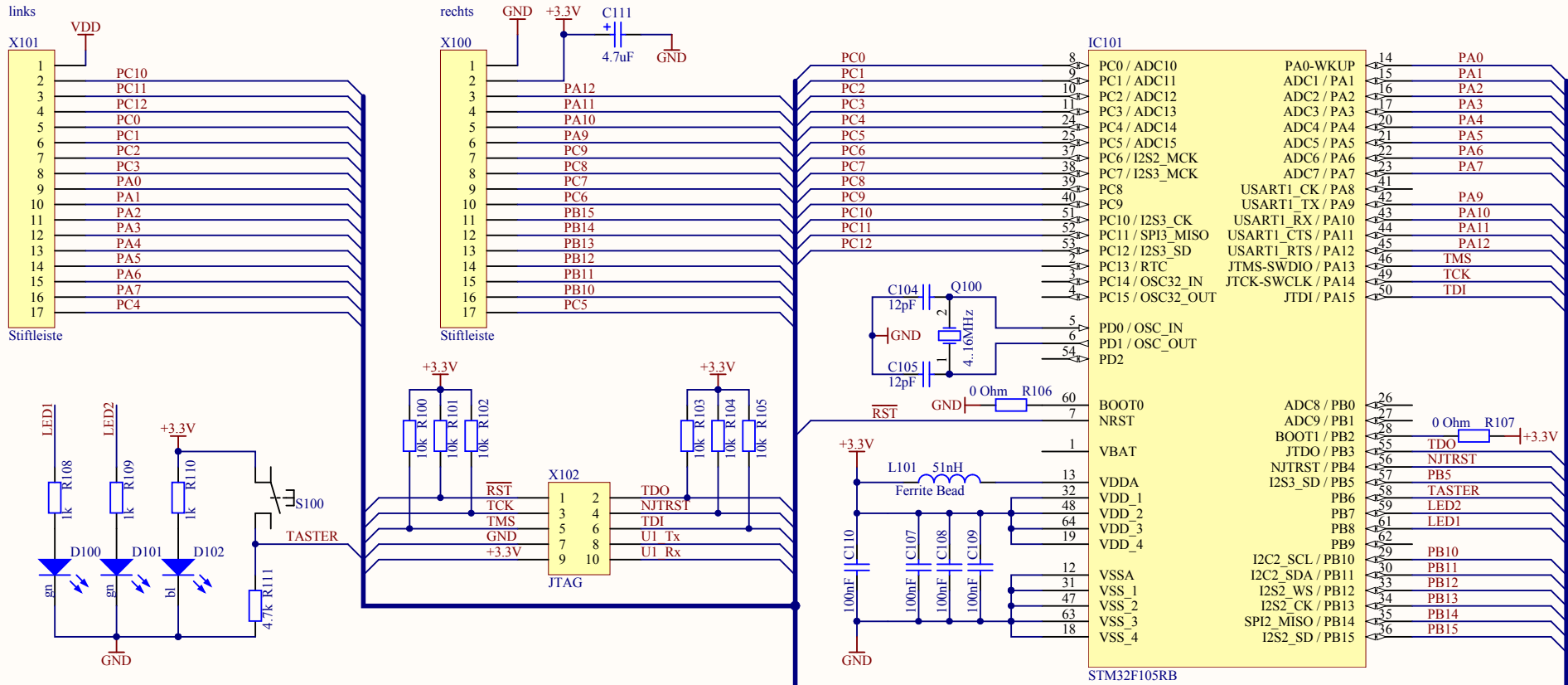
Version mit STM32F105RB

The logo for Cortex, featuring the word "Cortex" in a bold, sans-serif font. The "C" is black, and "ortex" is blue. Above the letters "o", "r", "t", and "e" are small black squares, and above the "x" are two small blue squares. A small "TM" trademark symbol is to the right of the "x".

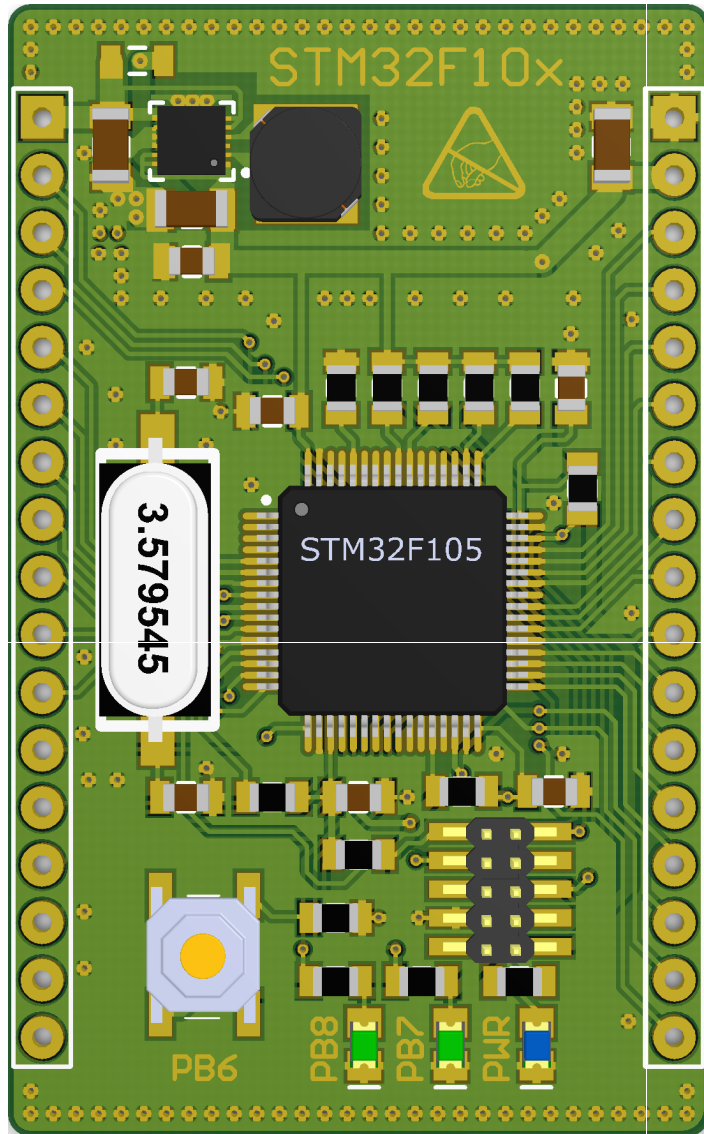
CortexTM

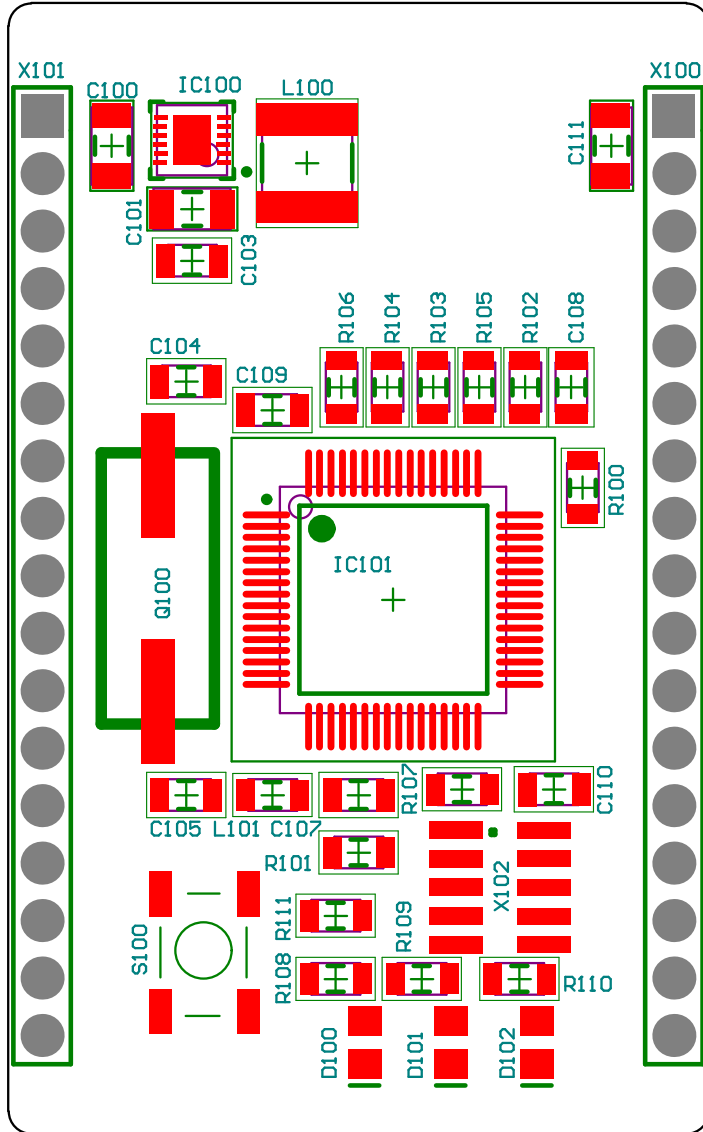
Intelligent Processors by ARM[®]

Engineer: C. Hediger, 01.12.2013



Titel: STM32F10x Breakoutboard main Schematic		endasmedia Unterer Erlenweg 4 8832 Wollerau	
Format: A4	Engineer: C. Hediger	ID: ED13111	Revision: 13/1
Datum: 30.11.2013 Zeit: 15:47:32		Seite 1 von 1	
Datei: main.SchDoc		Switzerland www.hedigerelectronic.ch	





Stückliste

STM32F105_Breakout.PrjPcb

Project: STM32F105_Breakout.PrjPcb

Variant: With Powersupply

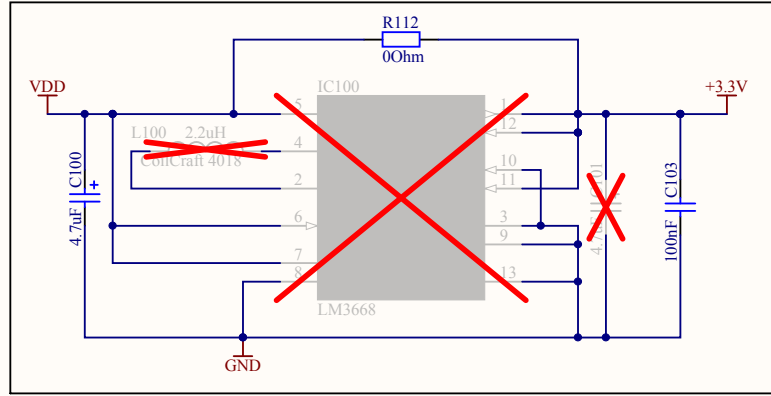
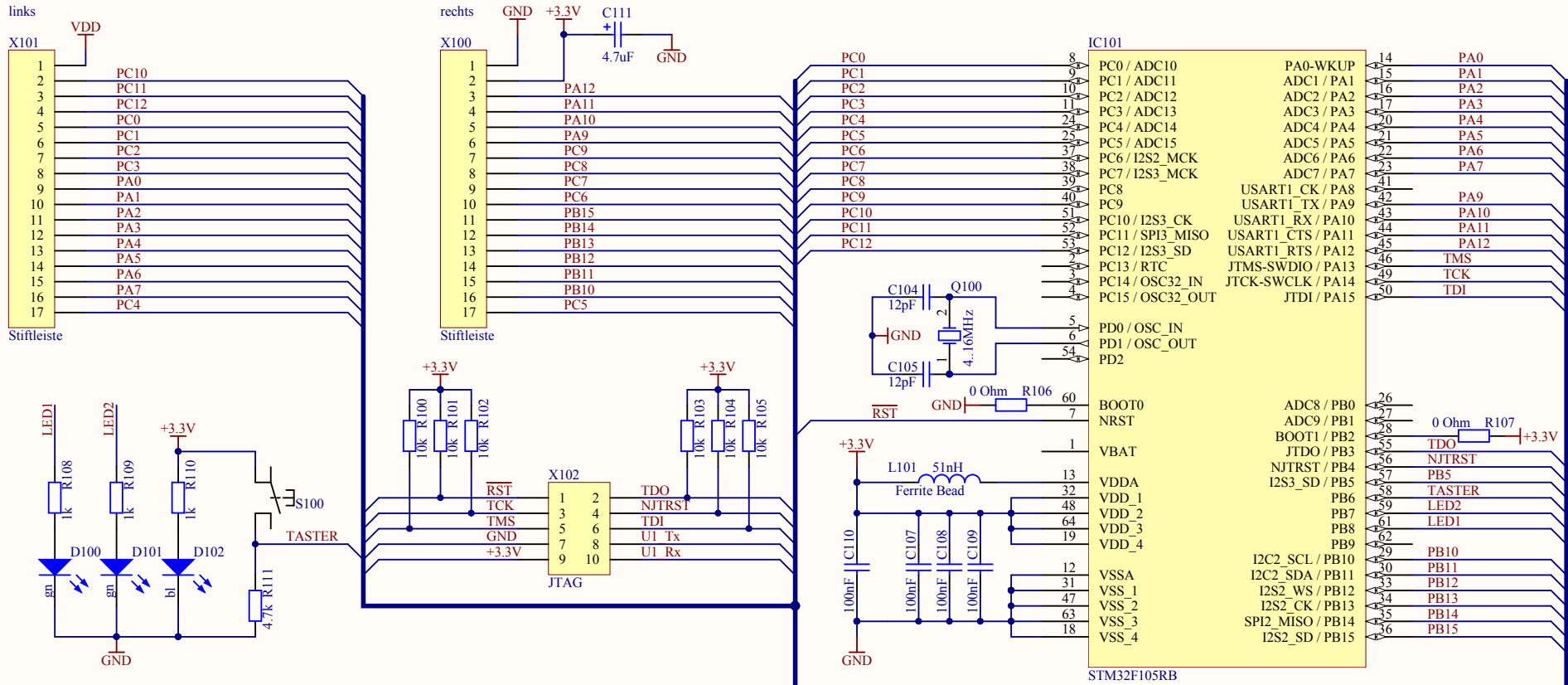
Creation Date: 30.11.2013

Print Date: 30-Nov-13 15:47:39

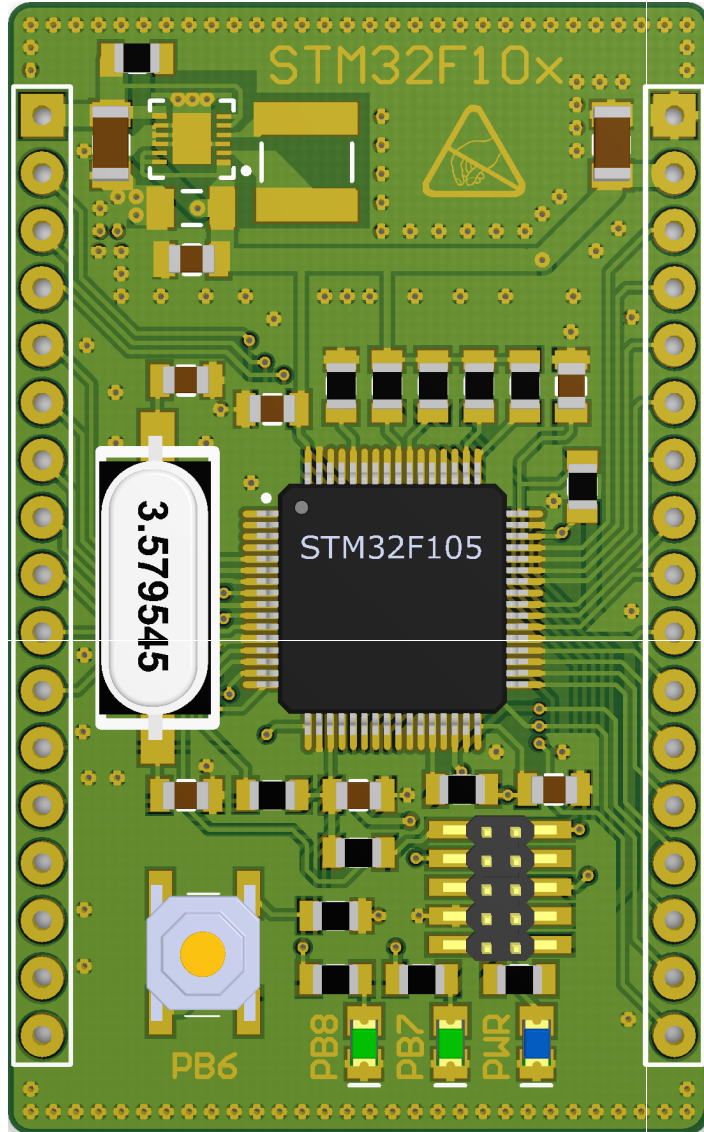


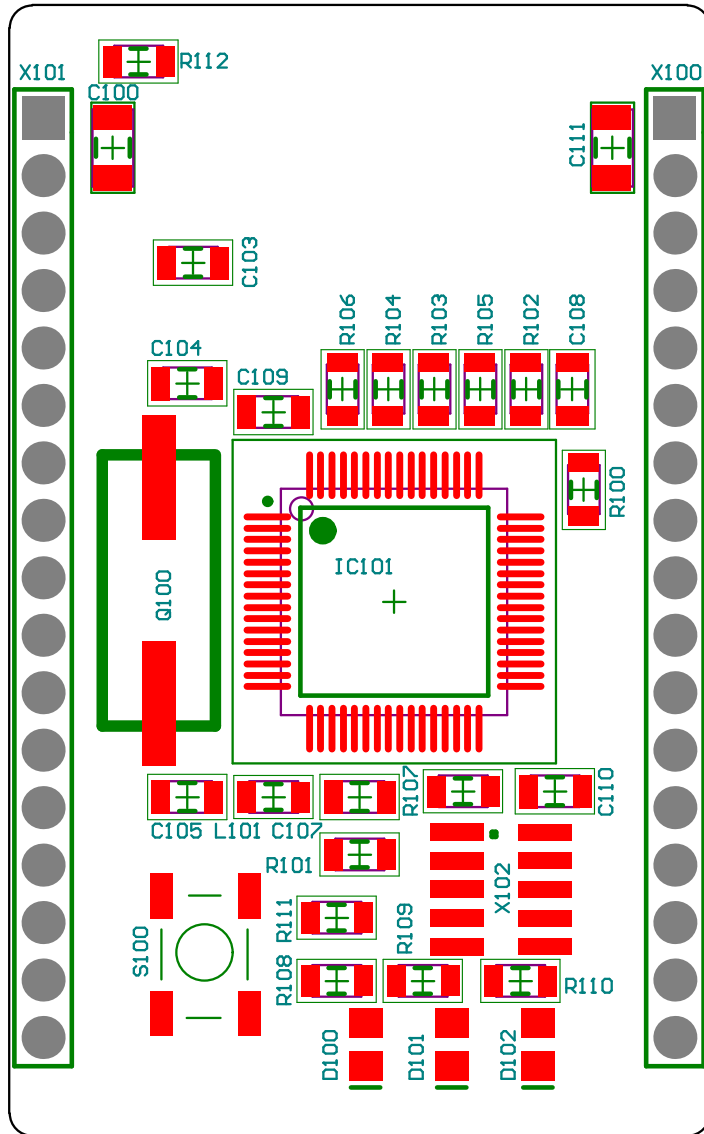
Designator	Value	Description	PartNumber	Quantity
C100, C101, C111	4.7uF	4.7uF, 1206, X7R	GRM31CR71A475KA01L	3
C103, C107, C108, C109,	100nF	100nF, 0805, X7R		5
C104, C105	12pF	12pF, 0805		2
D100, D101		LED gruen		2
D102		LED blau		1
IC100		LM3668, Buck-Boost, 1A	LM3668SD-2833/NOPB	1
IC101		32Bit Mikrocontroller, STM32	STM32F105RBT6	1
L100	2.2uH	SMT Power Inductor	LPS4018-222MLB	1
L101	51nH	Ferrite-Bead	0805HQ-51NXGLB	1
Q100		Quarz		1
R100, R101, R102, R103,	10k	Widerstand, 0805, 10k		6
R106, R107	0 Ohm	0Ohm, 0805		2
R108, R109, R110	1k	Widerstand, 0805, 1k		3
R111	4.7k	Widerstand, 0805, 4.7k		1
S100		SMD-Taster		1
X100, X101		Stiftleiste, 1x17, 2.54mm		2
X102		Stiftleiste, 2x5, 1.27mm	M50-3600542	1
				34

Freigegeben	Bemerkungen
30.11.2013 C. Hediger	Keine



Titel: STM32F10x Breakoutboard main Schematic			endasmedia Unterer Erlenerweg 4 8832 Wollerau	
Format: A4	Engineer: C. Hediger	ID: ED13111	Revision: 13/1	
Datum: 30.11.2013 Zeit: 15:47:45		Seite 1 von 1		Switzerland
Datei: main.SchDoc			www.hedigerelectronic.ch	





Stückliste

STM32F105_Breakout.PrjPcb

Project: STM32F105_Breakout.PrjPcb

Variant: Without Powersupply

Creation Date: 30.11.2013

Print Date: 30-Nov-13 15:47:52



Designator	Value	Description	PartNumber	Quantity
C100, C111	4.7uF	4.7uF, 1206, X7R	GRM31CR71A475KA01L	2
C103, C107, C108, C109,	100nF	100nF, 0805, X7R		5
C104, C105	12pF	12pF, 0805		2
D100, D101		LED gruen		2
D102		LED blau		1
IC101		32Bit Mikrocontroller, STM32	STM32F105RBT6	1
L101	51nH	Ferrite-Bead	0805HQ-51NXGLB	1
Q100		Quarz		1
R100, R101, R102, R103,	10k	Widerstand, 0805, 10k		6
R106, R107	0 Ohm	0Ohm, 0805		2
R108, R109, R110	1k	Widerstand, 0805, 1k		3
R111	4.7k	Widerstand, 0805, 4.7k		1
R112	0Ohm	0Ohm, 0805		1
S100		SMD-Taster		1
X100, X101		Stiftleiste, 1x17, 2.54mm		2
X102		Stiftleiste, 2x5, 1.27mm	M50-3600542	1
				32

Freigegeben	Bemerkungen
30.11.2013 C. Hediger	Keine