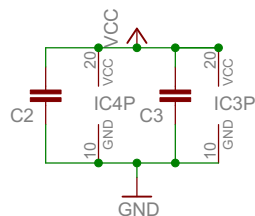
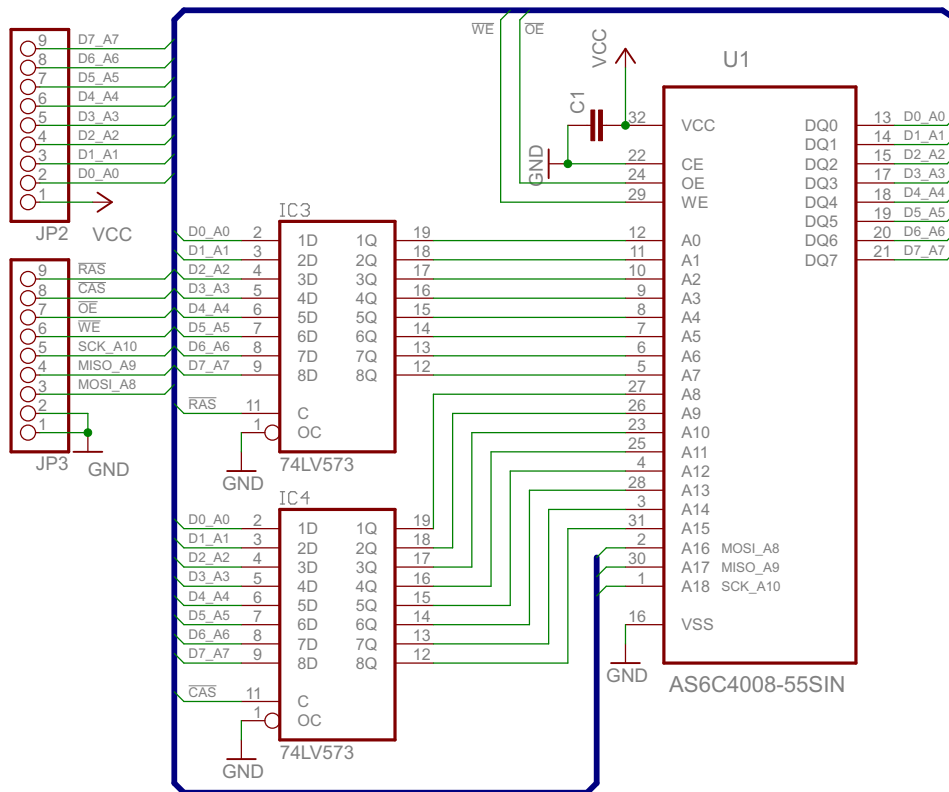


RAM:D0_A0,D1_A1,D2_A2,D3_A3,D4_A4,D5_A5,D6_A6,D7_A7,WE,OE,RAS,CAS,MOSI_A8,MISO_A9,SCK_A10



RAM
23.01.2014 19:00:05
Sheet: 1/1