

N UDN2981SLW

iND	12
O8	13
O7	14
O6	15
O5	16
O4	17
O3	18
O2	19
O1	20

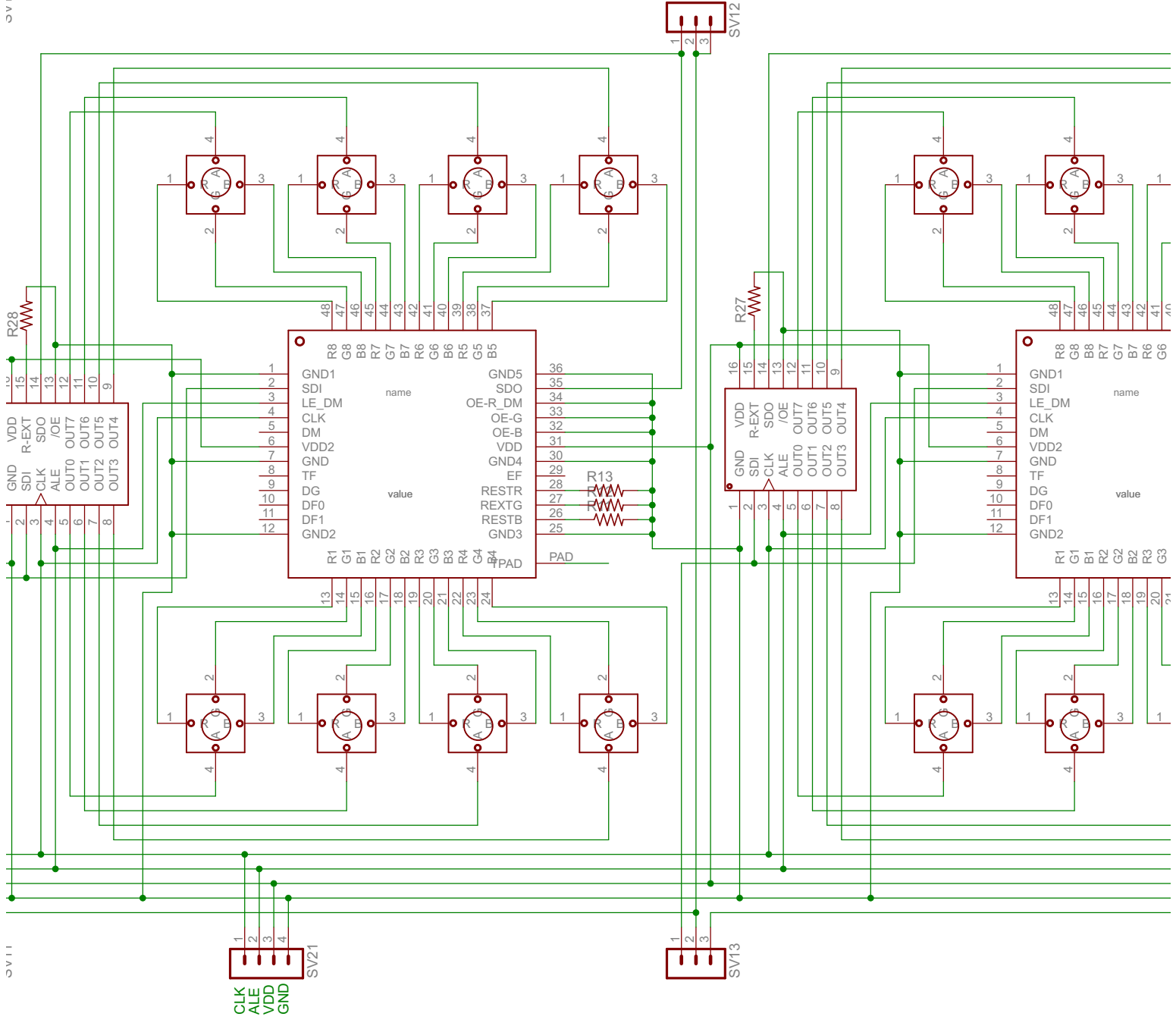
SV1

SV14

SV20
CLK
ALE
VDD
GND

SV9

SV8



name	value	
GND1	GND5	
SDI	SDO	
LE_DM	OE_R_DM	
CLK	OE_G	
DM	OE_B	
VDD2	VDD	
GND	GND4	
TF	EF	
DG	RESTR	
DF0	REXTG	
DF1	RESTB	
GND2	GND3	
R1	PAD	
G1		
B1		
R2		
B2		
R3		
G3		
B3		
R4		
G4		
B4		
PAD		
R8		
G8		
B8		
R7		
G7		
B7		
R6		
G6		
B6		
R5		
G5		
B5		
R48		
G48		
B48		
R47		
G47		
B47		
R46		
G46		
B46		
R45		
G45		
B45		
R44		
G44		
B44		
R43		
G43		
B43		
R42		
G42		
B42		
R41		
G41		
B41		
R40		
G40		
B40		
R39		
G39		
B39		
R38		
G38		
B38		
R37		

name	value	
GND1	GND5	
SDI	SDO	
LE_DM	OE_R_DM	
CLK	OE_G	
DM	OE_B	
VDD2	VDD	
GND	GND4	
TF	EF	
DG	RESTR	
DF0	REXTG	
DF1	RESTB	
GND2	GND3	
R1	PAD	
G1		
B1		
R2		
B2		
R3		
G3		
B3		
R4		
G4		
B4		
PAD		
R16		
G16		
B16		
R15		
G15		
B15		
R14		
G14		
B14		
R13		
G13		
B13		
R12		
G12		
B12		
R11		
G11		
B11		
R10		
G10		
B10		
R9		
G9		
B9		
R8		
G8		
B8		
R7		
G7		
B7		
R6		
G6		
B6		
R48		
G48		
B48		
R47		
G47		
B47		
R46		
G46		
B46		
R45		
G45		
B45		
R44		
G44		
B44		
R43		
G43		
B43		
R42		
G42		
B42		
R41		
G41		
B41		
R40		
G40		
B40		
R39		
G39		
B39		
R38		
G38		
B38		
R37		

