

LME49600 High Performance, High Fidelity, High Current Audio Buffer

Check for Samples: [LME49600](#)

FEATURES

- Pin-selectable bandwidth and quiescent current
- Pure fidelity, Pure performance
- Short circuit protection
- Thermal shutdown
- TO-263 surface-mount package

APPLICATIONS

- Headphone amplifier output drive stage
- Line drivers
- Low power audio amplifiers
- High-current operational amplifier output stage
- ATE Pin Driver Buffer
- Power supply regulator

DESCRIPTION

The LME49600 is a high performance, low distortion high fidelity 250mA audio buffer. The LME49600 is designed for a wide range of applications. It can be used inside the feedback loop of op amps.

The LME49600 offers a pin-selectable bandwidth: a low current, 110MHz bandwidth mode that consumes 7.3mA and a wide 180MHz bandwidth mode that consumes 13.2mA. In both modes the LME49600 has a nominal 2000V/ μ s slew rate. Bandwidth is easily adjusted by either leaving the BW pin unconnected or connecting a resistor between the BW pin and the V_{EE} pin.

The LME49600 is fully protected through internal current limit and thermal shutdown.

Table 1. Key Specifications

	VALUE	UNIT
Low THD+N ($V_{OUT} = 3V_{RMS}$, $f = 1kHz$, Figure 2)	0.00003% (typ)	
Slew Rate	2000	V/ μ s (typ)
High Output Current	250	mA (typ)
Bandwidth		
■ BW pin floating	110	MHz (typ)
■ BW connected to V_{EE}	180	MHz (typ)
Supply Voltage Range	$\pm 2.25V \leq V_S \leq \pm 18$	V



Please be aware that an important notice concerning availability, standard warranty, and use in critical applications of Texas Instruments semiconductor products and disclaimers thereto appears at the end of this data sheet.

All trademarks are the property of their respective owners.

Functional Block Diagram

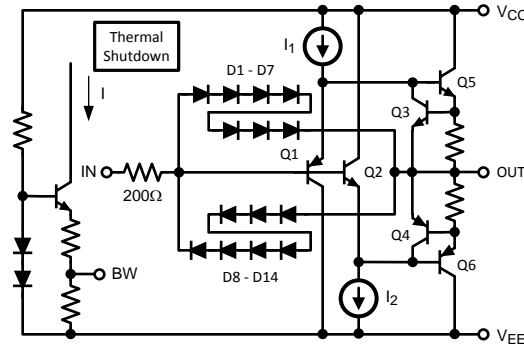


Figure 1. Simplified Circuit Diagram (Note: I₁ and I₂ are mirrored from I)

Connection Diagram

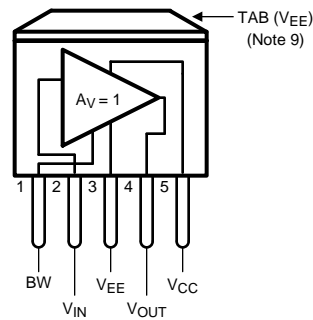


Figure 2. TS5BT Package: Top View

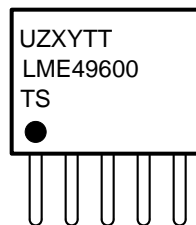


Figure 3. Top View
 U — Wafer fabrication code
 Z — Assembly plant
 XY — 2 Digit date code
 TT — Lot traceability



These devices have limited built-in ESD protection. The leads should be shorted together or the device placed in conductive foam during storage or handling to prevent electrostatic damage to the MOS gates.

Absolute Maximum Ratings ⁽¹⁾ ⁽²⁾

Supply Voltage	±20V
ESD Ratings ⁽³⁾	2000V
ESD Ratings ⁽⁴⁾	200V
Storage Temperature	-40°C to +150°C
Junction Temperature	150°C
Thermal Resistance	
θ_{JC}	4°C/W
θ_{JA}	65°C/W
θ_{JA} (Note 3)	20°C/W
Soldering Information	
TO-263 Package (10 seconds)	260°C

- (1) All voltages are measured with respect to ground, unless otherwise specified.
- (2) *Absolute Maximum Ratings* indicate limits beyond which damage to the device may occur. *Operating Ratings* indicate conditions for which the device is functional, but do not guarantee specific performance limits. *Electrical Characteristics* state DC and AC electrical specifications under particular test conditions which guarantee specific performance limits. This assumes that the device is within the *Operating Ratings*. Specifications are not guaranteed for parameters where no limit is given, however, the typical value is a good indication of device performance.
- (3) Human body model, 100pF discharged through a 1.5k Ω resistor.
- (4) Machine Model, 220pF – 240pF discharged through all pins.

Operating Ratings ⁽¹⁾ ⁽²⁾

Temperature Range	
$T_{MIN} \leq T_A \leq T_{MAX}$	-40°C ≤ T_A ≤ 85°C
Supply Voltage	±2.25V to ±18V

- (1) All voltages are measured with respect to ground, unless otherwise specified.
- (2) *Absolute Maximum Ratings* indicate limits beyond which damage to the device may occur. *Operating Ratings* indicate conditions for which the device is functional, but do not guarantee specific performance limits. *Electrical Characteristics* state DC and AC electrical specifications under particular test conditions which guarantee specific performance limits. This assumes that the device is within the *Operating Ratings*. Specifications are not guaranteed for parameters where no limit is given, however, the typical value is a good indication of device performance.

System Electrical Characteristics for LME49600

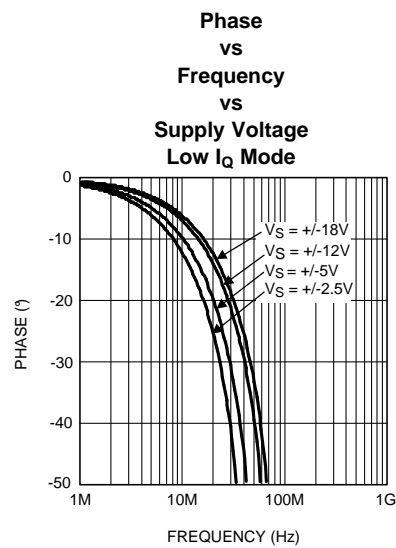
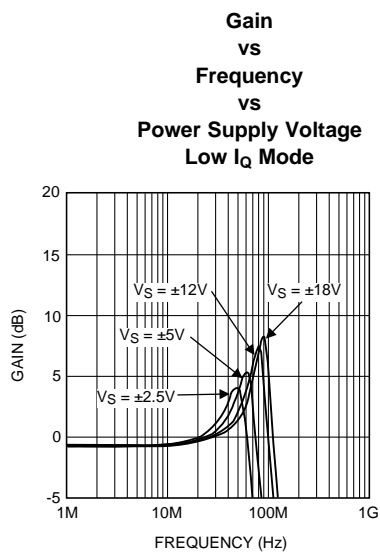
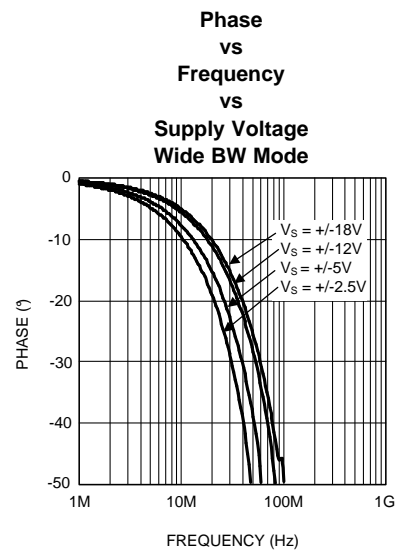
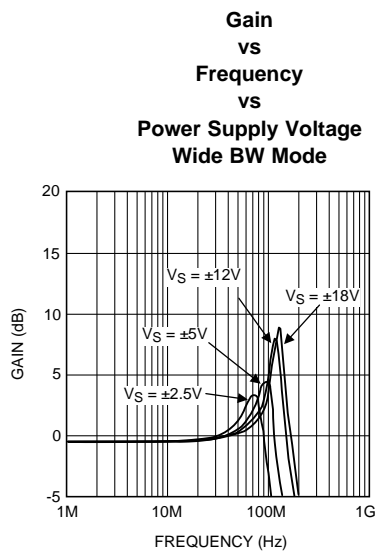
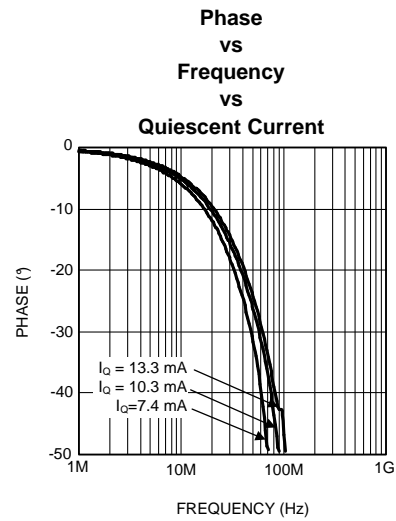
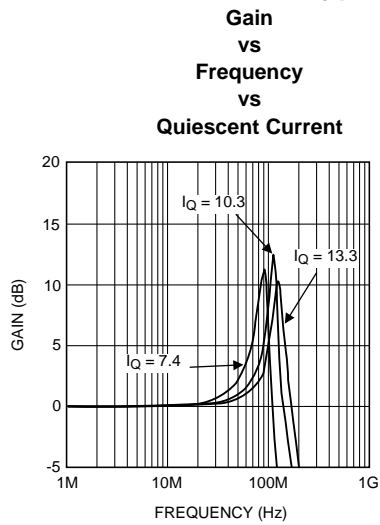
The following specifications apply for $V_S = \pm 15V$, $f_{IN} = 1kHz$, unless otherwise specified. Typical and limits apply for $T_A = 25^\circ C$.

Symbol	Parameter	Conditions	LME49600		Units (Limits)
			Typical	Limit	
			(1)	(2)	
I_Q	Total Quiescent Current	$I_{OUT} = 0$ BW pin: No connect BW pin: Connected to V_{EE} pin	7.3 13.2	10.5 18	mA (max) mA (max)
THD+N	Total Harmonic Distortion + Noise (Note 8)	$A_V = 1$, $V_{OUT} = 3V_{RMS}$, $R_L = 32\Omega$, BW = 80kHz, closed loop see Figure 2. $f = 1kHz$ $f = 20kHz$	0.000035 0.0005		% %
SR	Slew Rate	$30 \leq BW \leq 180MHz$ $V_{OUT} = 20V_{P-P}$, $R_L = 100\Omega$	2000		V/ μs
BW	Bandwidth	$A_V = -3dB$ BW pin: No Connect $R_L = 100\Omega$ $R_L = 1k\Omega$	100 110		MHz MHz
		$A_V = -3dB$ BW pin: Connected to V_{EE} pin $R_L = 100\Omega$ $R_L = 1k\Omega$	160 180		MHz MHz
	Voltage Noise Density	$f = 10kHz$ BW pin: No Connect	3.0		nV/ \sqrt{Hz}
		$f = 10kHz$ BW pin: Connected to V_{EE} pin	2.6		nV/ \sqrt{Hz}
t_s	Settling Time	$\Delta V = 10V$, $R_L = 100\Omega$ 1% Accuracy BW pin: No connect BW pin: Connected to V_{EE} pin	200 60		ns ns
A_V	Voltage Gain	$V_{OUT} = \pm 10V$ $R_L = 67\Omega$ $R_L = 100\Omega$ $R_L = 1k\Omega$	0.93 0.95 0.99	0.90 0.92 0.98	V/V (min) V/V (min) V/V (min)
V_{OUT}	Voltage Output	Positive $I_{OUT} = 10mA$ $I_{OUT} = 100mA$ $I_{OUT} = 150mA$	$V_{CC} - 1.4$ $V_{CC} - 2.0$ $V_{CC} - 2.3$	$V_{CC} - 1.6$ $V_{CC} - 2.1$ $V_{CC} - 2.7$	V (min) V (min) V (min)
		Negative $I_{OUT} = -10mA$ $I_{OUT} = -100mA$ $I_{OUT} = -150mA$	$V_{EE} + 1.5$ $V_{EE} + 3.1$ $V_{EE} + 3.5$	$V_{EE} + 1.6$ $V_{EE} + 2.4$ $V_{EE} + 3.2$	V (min) V (min) V (min)
I_{OUT}	Output Current		± 250		mA
I_{OUT-SC}	Short Circuit Output Current	BW pin: No Connect BW pin: Connected to V_{EE} pin	± 490 ± 490	± 550	mA (max) mA (max)
I_B	Input Bias Current	$V_{IN} = 0V$ BW pin: No Connect BW pin: Connected to V_{EE} pin	± 1.0 ± 3.0	± 2.5 ± 5.0	μA (max) μA (max)
Z_{IN}	Input Impedance	$R_L = 100\Omega$ BW pin: No Connect BW pin: Connected to V_{EE} pin	7.5 5.5		M Ω M Ω
V_{OS}	Offset Voltage		± 17	± 60	mV (max)
$V_{OS}/^\circ C$	Offset Voltage vs Temperature	$40^\circ C \leq T_A \leq +125^\circ C$	± 100		$\mu V/^\circ C$

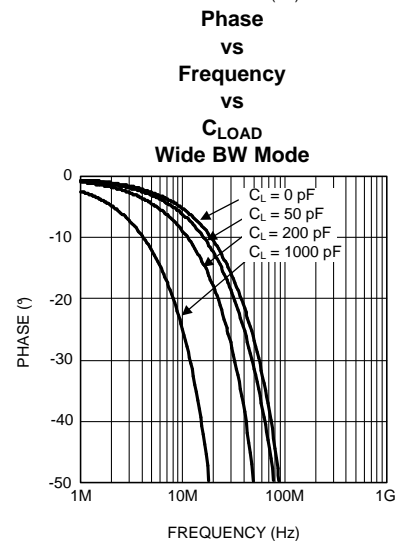
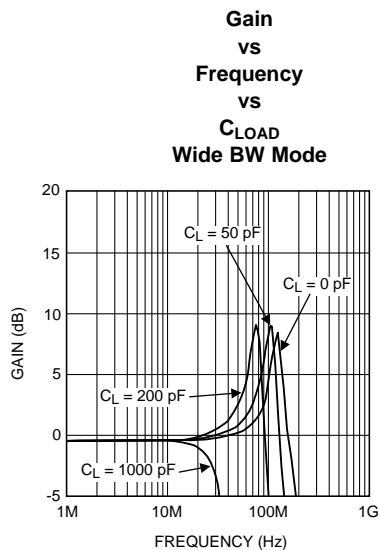
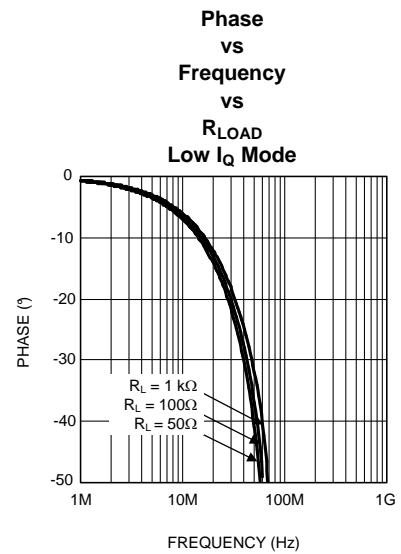
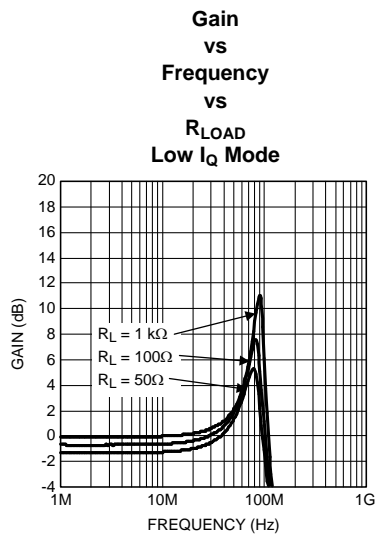
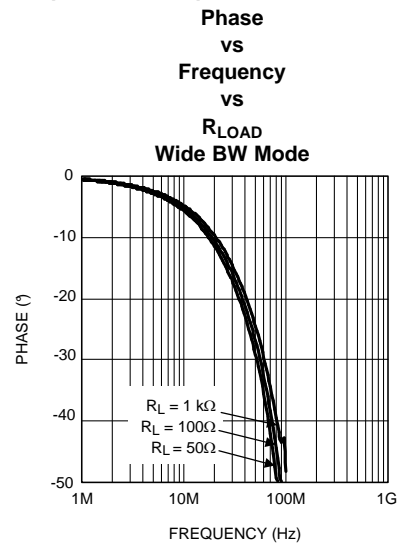
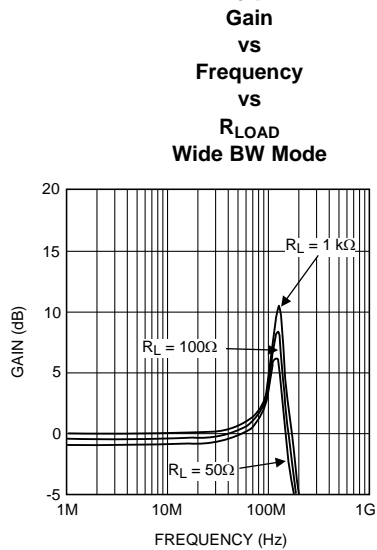
(1) Typical specifications are specified at $25^\circ C$ and represent the parametric norm.

(2) Tested limits are guaranteed to National's AOQL (Average Outgoing Quality Level).

Typical Performance Characteristics

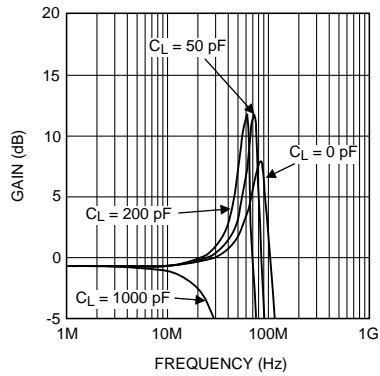


Typical Performance Characteristics (continued)

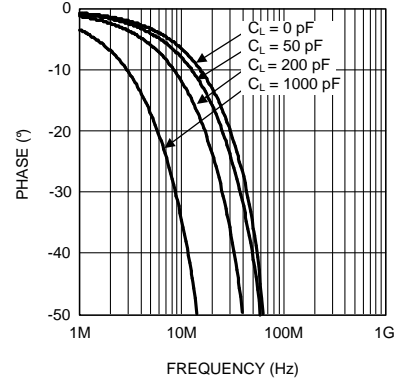


Typical Performance Characteristics (continued)

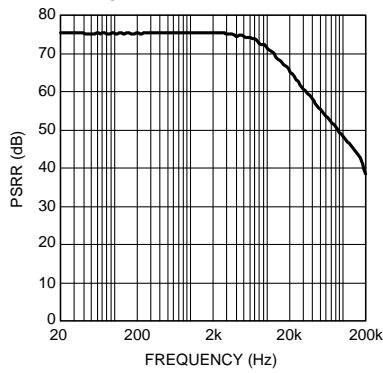
Gain vs Frequency vs C_{LOAD} Low I_Q Mode



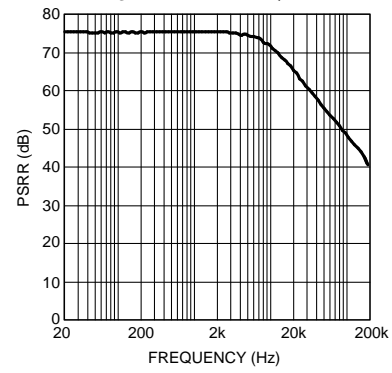
Phase vs Frequency vs C_{LOAD} Low I_Q Mode



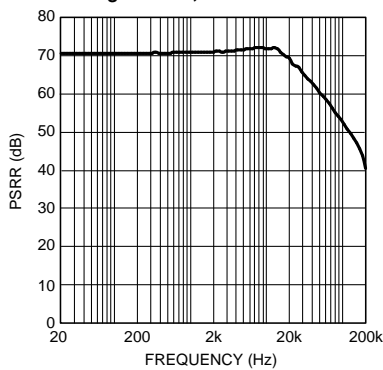
+PSRR vs Frequency $V_S = \pm 15V$, Wide BW Mode



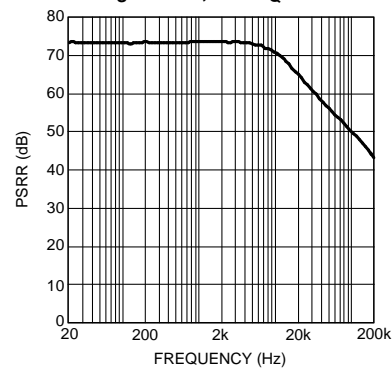
+PSRR vs Frequency $V_S = \pm 15V$, Low I_Q Mode



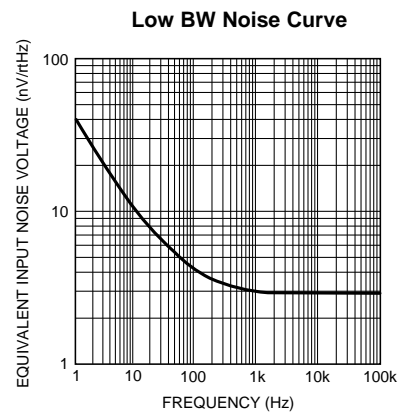
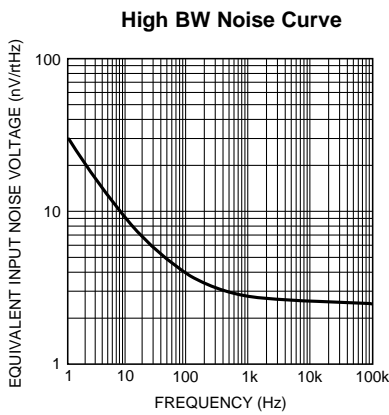
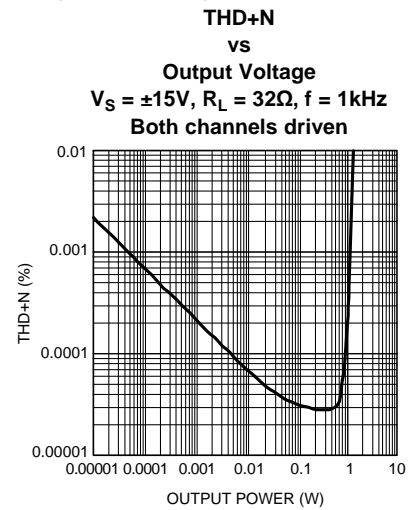
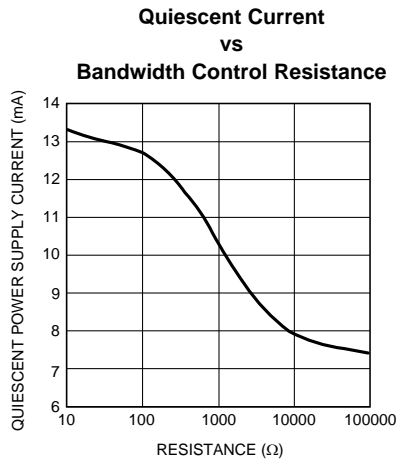
+PSRR vs Frequency $V_S = \pm 15V$, Wide BW Mode



+PSRR vs Frequency $V_S = \pm 15V$, Low I_Q Mode



Typical Performance Characteristics (continued)



Typical Application Diagram

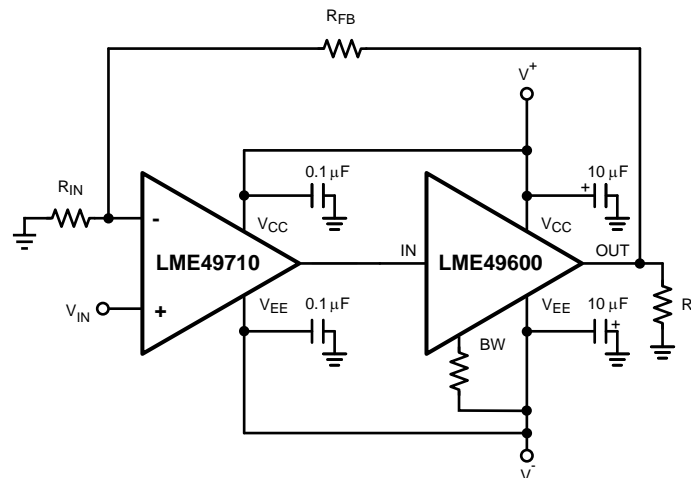


Figure 4. High Performance, High Fidelity LME49600 Audio Buffer Application

DISTORTION MEASUREMENTS

The vanishingly low residual distortion produced by LME49710/LME49600 is below the capabilities of all commercially available equipment. This makes distortion measurements just slightly more difficult than simply connecting a distortion meter to the amplifier's inputs and outputs. The solution, however, is quite simple: an additional resistor. Adding this resistor extends the resolution of the distortion measurement equipment.

The LME49710/LME49600's low residual distortion is an input referred internal error. As shown in Figure 5, adding the 10Ω resistor connected between the amplifier's inverting and non-inverting inputs changes the amplifier's noise gain. The result is that the error signal (distortion) is amplified by a factor of 101. Although the amplifier's closed-loop gain is unaltered, the feedback available to correct distortion errors is reduced by 101, which means that measurement resolution increases by 101. To ensure minimum effects on distortion measurements, keep the value of R1 low as shown in Figure 5.

This technique is verified by duplicating the measurements with high closed loop gain and/or making the measurements at high frequencies. Doing so produces distortion components that are within the measurement equipment's capabilities. This datasheet's THD+N and IMD values were generated using the above described circuit connected to an Audio Precision System Two Cascade.

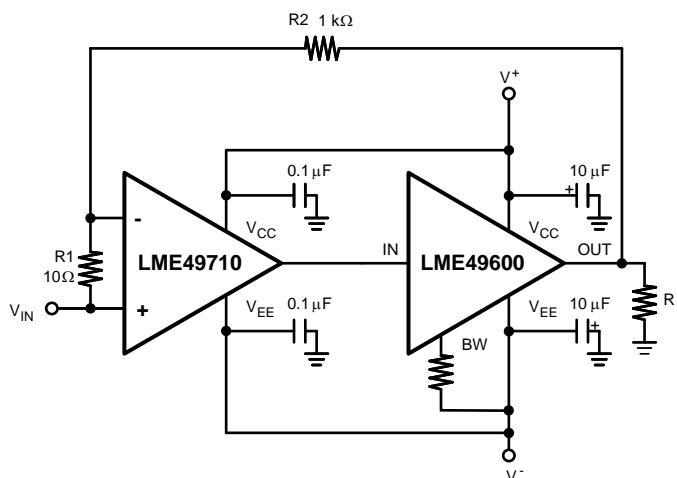


Figure 5. THD+N Distortion Test Circuit

Application Information

HIGH PERFORMANCE, HIGH FIDELITY HEADPHONE AMPLIFIER

The LME49600 is the ideal solution for high output, high performance high fidelity head phone amplifiers. When placed in the feedback loop of the LME49710, LME49720 or LME49740 High Performance, High Fidelity audio operational amplifier, the LME49600 is able to drive 32Ω headphones to a dissipation of greater than 500mW at 0.00003% THD+N while operating on ±15V power supply voltages. The circuit schematic for a typical headphone amplifier is shown in Figure 6.

Operation

The following describes the circuit operation for the headphone amplifier's Left Channel. The Right Channel operates identically.

The audio input signal is applied to the input jack (HP31 or J1/J2) and dc-coupled to the volume control, VR1. The output signal from VR1's wiper is applied to the non-inverting input of U2-A, an LME49720 High Performance, High Fidelity audio operational amplifier. U2-A's AC signal gain is set by resistors R2, R4, and R6. To allow for a DC-coupled signal path and to ensure minimal output DC voltage regardless of the closed-loop gain, the other half of the U2 is configured as a DC servo. By constantly monitoring U2-A's output, the servo

creates a voltage that compensates for any DC voltage that may be present at the output. A correction voltage is generated and applied to the feedback node at U2-A, pin 2. The servo ensures that the gain at DC is unity. Based on the values shown in Figure 6, the RC combination formed by R11 and C7 sets the servo's high-pass cutoff at 0.16Hz. This is over two decades below 20Hz, minimizing both amplitude and phase perturbations in the audio frequency band's lowest frequencies.

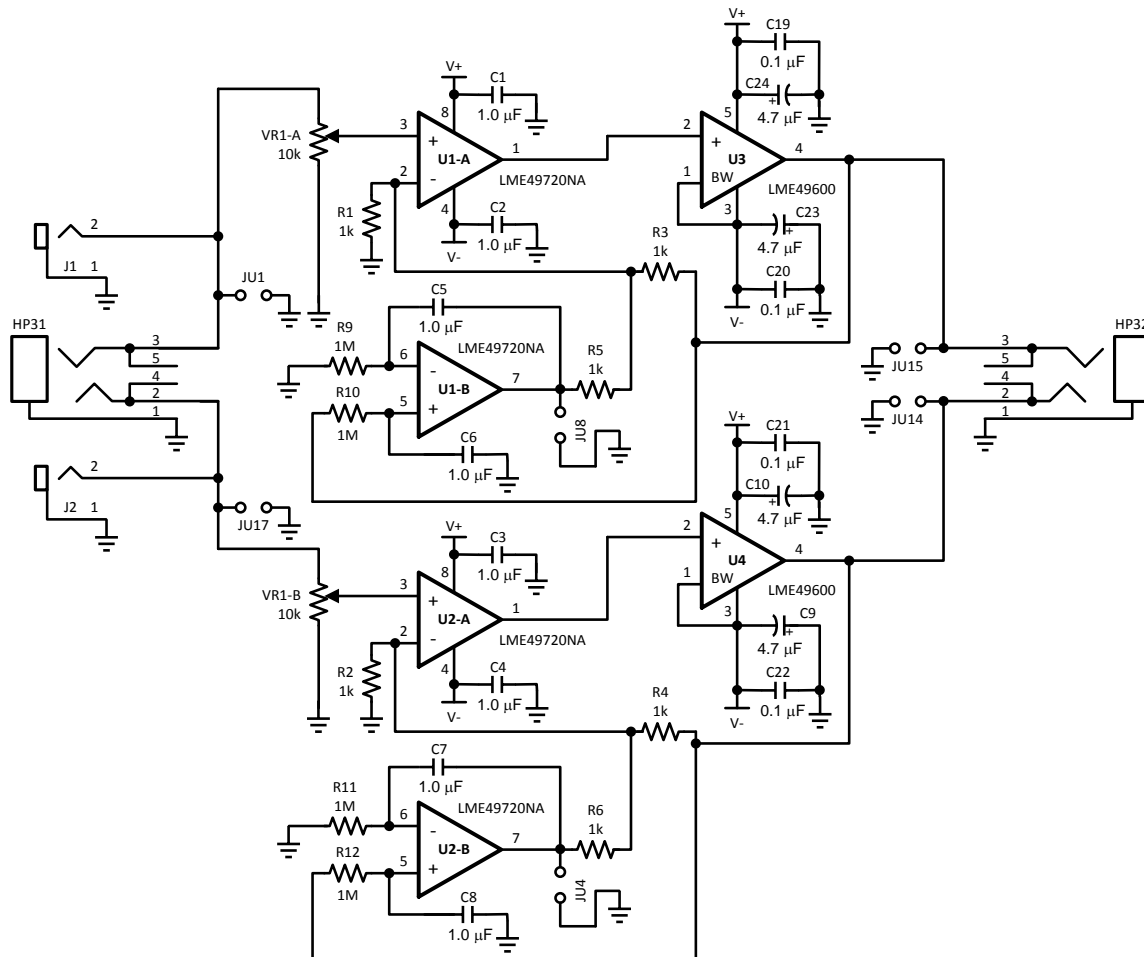


Figure 6. LME49600 Delivers High Output Current for this High Performance Headphone Amplifier

AUDIO BUFFERS

Audio buffers or unity-gain followers, have large current gain and a voltage gain of one. Audio buffers serve many applications that require high input impedance, low output impedance and high output current. They also offer constant gain over a very wide bandwidth.

Buffers serve several useful functions, either in stand-alone applications or in tandem with operational amplifiers. In stand-alone applications, their high input impedance and low output impedance isolates a high impedance source from a low impedance load.

SUPPLY BYPASSING

The LME49600 will place great demands on the power supply voltage source when operating in applications that require fast slewing and driving heavy loads. These conditions can create high amplitude transient currents. A power supply's limited bandwidth can reduce the supply's ability to supply the needed current demands during these high slew rate conditions. This inability to supply the current demand is further exacerbated by PCB trace or interconnecting wire inductance. The transient current flowing through the inductance can produce voltage transients.

For example, the LME49600's output voltage can slew at a typical $\pm 2000\text{V}/\mu\text{s}$. When driving a 100Ω load, the di/dt current demand is $20\text{ A}/\mu\text{s}$. This current flowing through an inductance of 50nH (approximately 1.5" of 22 gage wire) will produce a 1V transient. In these and similar situations, place the parallel combination of a solid $5\mu\text{F}$ to $10\mu\text{F}$ tantalum capacitor and a ceramic $0.1\mu\text{F}$ capacitor as close as possible to the device supply pins.

Ceramic capacitors with values in the range of $10\mu\text{F}$ to $100\mu\text{F}$, ceramic capacitor have very lower ESR (typically less than $10\text{m}\Omega$) and low ESL when compared to the same valued tantalum capacitor. The ceramic capacitors, therefore, have superior AC performance for bypassing high frequency noise.

In less demanding applications that have lighter loads or lower slew rates, the supply bypassing is not as critical. Capacitor values in the range of $0.01\mu\text{F}$ to $0.1\mu\text{F}$ are adequate.

SIMPLIFIED LME49600 CIRCUIT DIAGRAM

The LME49600's simplified circuit diagram is shown in Figures 1 and 7. The diagram shows the LME49600's complementary emitter follower design, bias circuit and bandwidth adjustment node.

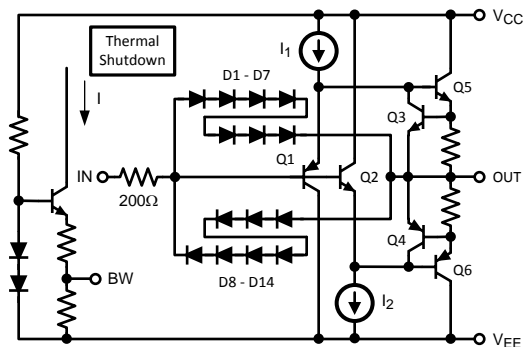


Figure 7. Simplified Circuit Diagram

Figure 8 shows the LME49600 connected as an open-loop buffer. The source impedance and optional input resistor, R_S , can alter the frequency response. As previously stated, the power supplies should be bypassed with capacitors connected close to the LME49600's power supply pins. Capacitor values as low as $0.01\mu\text{F}$ to $0.1\mu\text{F}$ will ensure stable operation in lightly loaded applications, but high output current and fast output slewing can demand large current transients from the power supplies. Place a recommended parallel combination of a solid tantalum capacitor in the $5\mu\text{F}$ to $10\mu\text{F}$ range and a ceramic $0.1\mu\text{F}$ capacitor as close as possible to the device supply pins.

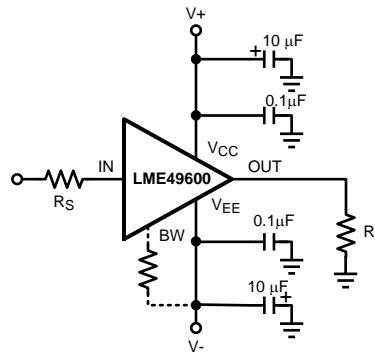


Figure 8. Buffer Connections

OUTPUT CURRENT

The LME49600 can continuously source or sink 250mA. Internal circuitry limits the short circuit output current to approximately $\pm 450\text{mA}$. For many applications that fully utilize the LME49600's current source and sink capabilities, thermal dissipation may be the factor that limits the continuous output current.

The maximum output voltage swing magnitude varies with junction temperature and output current. Using sufficient PCB copper area as a heat sink when the metal tab of the LME49600's surface mount TO-263 package is soldered directly to the circuit board reduces thermal impedance. This in turn reduces junction temperature. The PCB copper area should be in the range of 3in^2 (12.9cm^2) to 6in^2 (38.7cm^2).

THERMAL PROTECTION

LME49600 power dissipated will cause the buffer's junction temperature to rise. A thermal protection circuit in the LME49600 will disable the output when the junction temperature exceeds 150°C . When the thermal protection is activated, the output stage is disabled, allowing the device to cool. The output circuitry is enabled when the junction temperature drops below 150°C .

The TO-263 package has excellent thermal characteristics. To minimize thermal impedance, its exposed die attach paddle should be soldered to a circuit board copper area for good heat dissipation. Figure 9 shows typical thermal resistance from junction to ambient as a function of the copper area. The TO-263's exposed die attach paddle is electrically connected to the V_{EE} power supply pin.

LOAD IMPEDANCE

The LME49600 is stable under any capacitive load when driven by a source that has an impedance of 50Ω or less. When driving capacitive loads, any overshoot that is present on the output signal can be reduced by shunting the load capacitance with a resistor.

OVERVOLTAGE PROTECTION

If the input-to-output differential voltage exceeds the LME49600's Absolute Maximum Rating of 3V, the internal diode clamps shown in Figures 1 and 7 conduct, diverting current around the compound emitter followers of Q1/Q5 (D1 – D7 for positive input), or around Q2/Q6 (D8 – D14 for negative inputs). Without this clamp, the input transistors Q1/Q2 and Q5/Q6 will zener and damage the buffer.

To ensure that the current flow through the diodes is held to a safe level, the internal 200Ω resistor in series with the input limits the current through these clamps. If the additional current that flows during this situation can damage the source that drives the LME49600's input, add an external resistor in series with the input (see Figure 8).

BANDWIDTH CONTROL PIN

The LME49600's –3dB bandwidth is approximately 110MHz in the low quiescent-current mode (7.3mA typical). Select this mode by leaving the BW pin unconnected.

Connect the BW pin to the V_{EE} pin to extend the LME49600's bandwidth to a nominal value of 180MHz. In this mode, the quiescent current increases to approximately 13.2mA. Bandwidths between these two limits are easily selected by connecting a series resistor between the BW pin and V_{EE} .

Regardless of the connection to the LME49600's BW pin, the rated output current and slew rate remain constant. With the power supply voltage held constant, the wide-bandwidth mode's increased quiescent current causes a corresponding increase in quiescent power dissipation. For all values of the BW pin voltage, the quiescent power dissipation is equal to the total supply voltage times the quiescent current ($I_Q * (V_{CC} + |V_{EE}|)$).

BOOSTING OP AMP OUTPUT CURRENT

When placed in the feedback loop, the LME49600 will increase an operational amplifier's output current. The operational amplifier's open loop gain will correct any LME49600 errors while operating inside the feedback loop.

To ensure that the operational amplifier and buffer system are closed loop stable, the phase shift must be low. For a system gain of one, the LME49600 must contribute less than 20° at the operational amplifier's unity-gain frequency. Various operating conditions may change or increase the total system phase shift. These phase shift changes may affect the operational amplifier's stability.

Unity gain stability is preserved when the LME49600 is placed in the feedback loop of most general-purpose or precision op amps. When the LME49600 is driving high value capacitive loads, the BW pin should be connected to the V_{EE} pin for wide bandwidth and stable operation. The wide bandwidth mode is also suggested for high speed or fast-settling operational amplifiers. This preserves their stability and the ability to faithfully amplify high frequency, fast-changing signals. Stability is ensured when pulsed signals exhibit no oscillations and ringing is minimized while driving the intended load and operating in the worst-case conditions that perturb the LME49600's phase response.

HIGH FREQUENCY APPLICATIONS

The LME49600's wide bandwidth and very high slew rate make it ideal for a variety of high-frequency open-loop applications such as an ADC input driver, 75 Ω stepped volume attenuator driver, and other low impedance loads. Circuit board layout and bypassing techniques affect high frequency, fast signal dynamic performance when the LME49600 operates open-loop.

A ground plane type circuit board layout is best for very high frequency performance results. Bypass the power supply pins (V_{CC} and V_{EE}) with 0.1 μ F ceramic chip capacitors in parallel with solid tantalum 10 μ F capacitors placed as close as possible to the respective pins.

Source resistance can affect high-frequency peaking and step response overshoot and ringing. Depending on the signal source, source impedance and layout, best nominal response may require an additional resistance of 25 Ω to 200 Ω in series with the input. Response with some loads (especially capacitive) can be improved with an output series resistor in the range of 10 Ω to 150 Ω .

THERMAL MANAGEMENT

Heatsinking

For some applications, the LME49600 may require a heat sink. The use of a heat sink is dependent on the maximum LME49600 power dissipation and a given application's maximum ambient temperature. In the TO-263 package, heat sinking the LME49600 is easily accomplished by soldering the package's tab to a copper plane on the PCB. (Note: The tab on the LME49600's TO-263 package is electrically connected to V_{EE} .)

Through the mechanisms of convection, heat conducts from the LME49600 in all directions. A large percentage moves to the surrounding air, some is absorbed by the circuit board material and some is absorbed by the copper traces connected to the package's pins. From the PCB material and the copper, it then moves to the air. Natural convection depends on the amount of surface area that contacts the air.

If a heat conductive copper plane has perfect thermal conduction (heat spreading) through the plane's total area, the temperature rise is inversely proportional to the total exposed area. PCB copper planes are, in that sense, an aid to convection. These planes, however, are not thick enough to ensure perfect heat conduction. Therefore, eventually a point of diminishing returns is reached where increasing copper area offers no additional heat conduction to the surrounding air. This is apparent in Figure 9 as the thermal resistance reaches an asymptote above a copper area of 8in²). As can be seen, increasing the copper area produces decreasing improvements in thermal resistance. This occurs, roughly, at 4in² of 1 oz copper board. Some improvement continues until about 16in². Boards using 2 oz copper boards will have decrease thermal resistance providing a better heat sink compared to 1 oz. copper. Beyond 1oz or 2oz copper plane areas, external heat sinks are required. Ultimately, the 1oz copper area attains a nominal value of 20°C/W junction to ambient thermal resistance (θ_{JA}) under zero air flow.

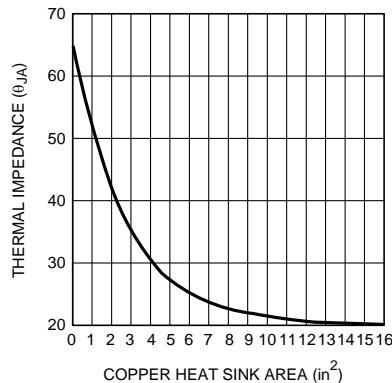


Figure 9. Thermal Resistance for 5-lead TO–263 Package Mounted on 1oz. Copper

A copper plane may be placed directly beneath the tab. Additionally, a matching plane can be placed on the opposite side. If a plane is placed on the side opposite of the LME49600, connect it to the plane to which the buffer's metal tab is soldered with a matrix of thermal vias per JEDEC Standard JESD51-5.

Determining Copper Area

Find the required copper heat sink area using the following guidelines:

1. Determine the value of the circuit's power dissipation, P_D .
2. Specify a maximum operating ambient temperature, $T_{A(MAX)}$. (Note that the die temperature, T_J , will be higher than T_A by an amount that is dependent on the thermal resistance from junction to ambient, θ_{JA}). Therefore, T_A must be specified such that T_J does not exceed the absolute maximum die temperature of 150°C.
3. Specify a maximum allowable junction temperature, $T_{J(MAX)}$. This is the LME49600's die temperature when the buffer is drawing maximum current (quiescent and load). It is prudent to design for a maximum continuous junction temperature of 100°C to 130°C. Ensure, however, that the junction temperature never exceeds the 150°C absolute maximum rating for the part.
4. Calculate the value of junction to ambient thermal resistance, θ_{JA} .
5. θ_{JA} as a function of copper area in square inches is shown in Figure 9. Choose a copper area that will guarantee the specified $T_{J(MAX)}$ for the calculated θ_{JA} . The maximum value of junction to ambient thermal resistance, θ_{JA} , is defined as:

$$\theta_{JA} = (T_{J(MAX)} - T_{A(MAX)}) / P_{D(MAX)} \quad (^\circ\text{C}/\text{W}) \quad (1)$$

where:

$T_{J(MAX)}$ = the maximum recommended junction temperature

$T_{A(MAX)}$ = the maximum ambient temperature in the LME49600's environment

$P_{D(MAX)}$ = the maximum recommended power dissipation

Note: The allowable thermal resistance is determined by the maximum allowable temperature increase:

$$T_{RISE} = T_{J(MAX)} - T_{A(MAX)} \quad (2)$$

Thus, if ambient temperature extremes force T_{RISE} to exceed the design maximum, the part must be de-rated by either decreasing P_D to a safe level, reducing θ_{JA} further or, if available, using a larger copper area.

Procedure

1. First determine the maximum power dissipated by the LME49600, $P_{D(MAX)}$. For the simple case of the buffer driving a resistive load, and assuming equal supplies, $P_{D(MAX)}$ is given by:

$$P_{D(MAX)(AC)} = (I_S \times V_S) + (V_S)^2 / (2\pi^2 R_L) \text{ (Watts)} \quad (3)$$

$$P_{D(MAX)(DC)} = (I_S \times V_S) + (V_S)^2 / R_L \text{ (Watts)} \quad (4)$$

where:

$$V_S = |V_{EE}| + V_{CC} \text{ (V)}$$

I_S = quiescent supply current (A)

Equation (2) is for sinusoidal output voltages and (3) is for DC output voltages

2. Determine the maximum allowable die temperature rise,

$$T_{RISE(MAX)} = T_{J(MAX)} - T_{A(MAX)} \text{ (}^\circ\text{C)} \quad (5)$$

3. Using the calculated value of $T_{RISE(MAX)}$ and $P_{D(MAX)}$, find the required value of junction to ambient thermal resistance combining equation 1 and equation 4 to derive equation 5:

$$\theta_{JA} = T_{RISE(MAX)} / P_{D(MAX)} \quad (6)$$

4. Finally, choose the minimum value of copper area from Figure 9 based on the value for θ_{JA} .

Example

Assume the following conditions: $V_S = |V_{EE}| + V_{CC} = 30V$, $R_L = 32\Omega$, $I_S = 15mA$, sinusoidal output voltage, $T_{J(MAX)} = 125^\circ C$, $T_{A(MAX)} = 85^\circ C$.

Applying Equation (2):

$$P_{D_{MAX}} = (I_S \times V_S) + (V_S)^2 / 2\pi^2 R_L \quad (7)$$

$$= (15mA)(30V) + 900V^2 / 142\Omega \quad (8)$$

$$= 1.86W \quad (9)$$

Applying Equation (4):

$$T_{\text{RISE(MAX)}} = 125^{\circ}\text{C} - 85^{\circ}\text{C} \quad (10)$$

$$= 40^{\circ}\text{C} \quad (11)$$

Applying Equation (5):

$$\theta_{\text{JA}} = 40^{\circ}\text{C}/1.86\text{W} \quad (12)$$

$$= 21.5^{\circ}\text{C}/\text{W} \quad (13)$$

Examining the Copper Area vs. θ_{JA} plot indicates that a thermal resistance of $50^{\circ}\text{C}/\text{W}$ is possible with a 12in^2 plane of one layer of 1oz copper. Other solutions include using two layers of 1oz copper or the use of 2oz copper. Higher dissipation may require forced air flow. As a safety margin, an extra 15% heat sinking capability is recommended.

When amplifying AC signals, wave shapes and the nature of the load (reactive, non-reactive) also influence dissipation. Peak dissipation can be several times the average with reactive loads. It is particularly important to determine dissipation when driving large load capacitance.

The LME49600's dissipation in DC circuit applications is easily computed using Equation (3). After the value of dissipation is determined, the heat sink copper area calculation is the same as for AC signals.

SLEW RATE

A buffer's voltage slew rate is its output signal's rate of change with respect to an input signal's step changes. For resistive loads, slew rate is limited by internal circuit capacitance and operating current (in general, the higher the operating current for a given internal capacitance, the faster the slew rate).

However, when driving capacitive loads, the slew rate may be limited by the available peak output current according to the following expression.

$$dv/dt = I_{\text{PK}} / C_{\text{L}} \quad (14)$$

Output voltages with high slew rates will require large output load currents. For example if the part is required to slew at $1000\text{V}/\mu\text{s}$ with a load capacitance of 1nF , the current demanded from the LME49600 is 1A . Therefore, fast slew rate is incompatible with a capacitive load of this value. Also, if C_{L} is in parallel with the load, the peak current available to the load decreases as C_{L} increases.

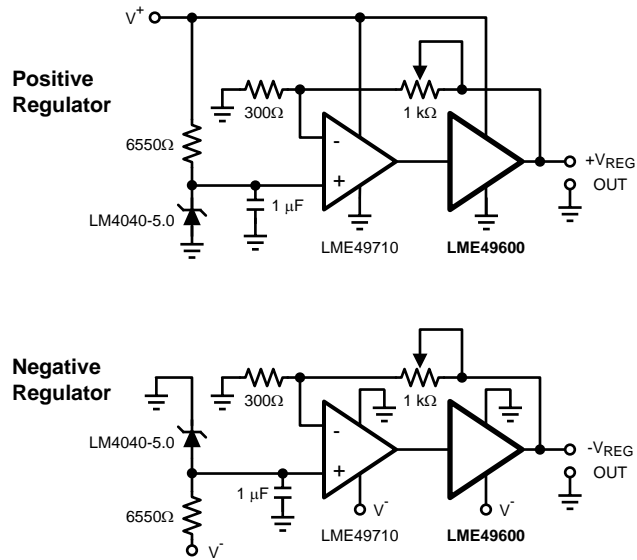


Figure 10. High Speed Positive and Negative Regulator

Revision History

Rev	Date	Description
1.0	01/15/08	Initial release.
1.01	01/16/08	Edited specification table.
1.02	02/07/08	Edited applications information.
1.03	03/28/08	Text edits.

PACKAGING INFORMATION

Orderable Device	Status (1)	Package Type	Package Drawing	Pins	Package Qty	Eco Plan (2)	Lead/Ball Finish	MSL Peak Temp (3)	Samples (Requires Login)
LME49600TS/NOPB	ACTIVE	DDPAK/ TO-263	KTT	5	45	Pb-Free (RoHS Exempt)	CU SN	Level-3-245C-168 HR	

(1) The marketing status values are defined as follows:

ACTIVE: Product device recommended for new designs.

LIFEBUY: TI has announced that the device will be discontinued, and a lifetime-buy period is in effect.

NRND: Not recommended for new designs. Device is in production to support existing customers, but TI does not recommend using this part in a new design.

PREVIEW: Device has been announced but is not in production. Samples may or may not be available.

OBSELETE: TI has discontinued the production of the device.

(2) Eco Plan - The planned eco-friendly classification: Pb-Free (RoHS), Pb-Free (RoHS Exempt), or Green (RoHS & no Sb/Br) - please check <http://www.ti.com/productcontent> for the latest availability information and additional product content details.

TBD: The Pb-Free/Green conversion plan has not been defined.

Pb-Free (RoHS): TI's terms "Lead-Free" or "Pb-Free" mean semiconductor products that are compatible with the current RoHS requirements for all 6 substances, including the requirement that lead not exceed 0.1% by weight in homogeneous materials. Where designed to be soldered at high temperatures, TI Pb-Free products are suitable for use in specified lead-free processes.

Pb-Free (RoHS Exempt): This component has a RoHS exemption for either 1) lead-based flip-chip solder bumps used between the die and package, or 2) lead-based die adhesive used between the die and leadframe. The component is otherwise considered Pb-Free (RoHS compatible) as defined above.

Green (RoHS & no Sb/Br): TI defines "Green" to mean Pb-Free (RoHS compatible), and free of Bromine (Br) and Antimony (Sb) based flame retardants (Br or Sb do not exceed 0.1% by weight in homogeneous material)

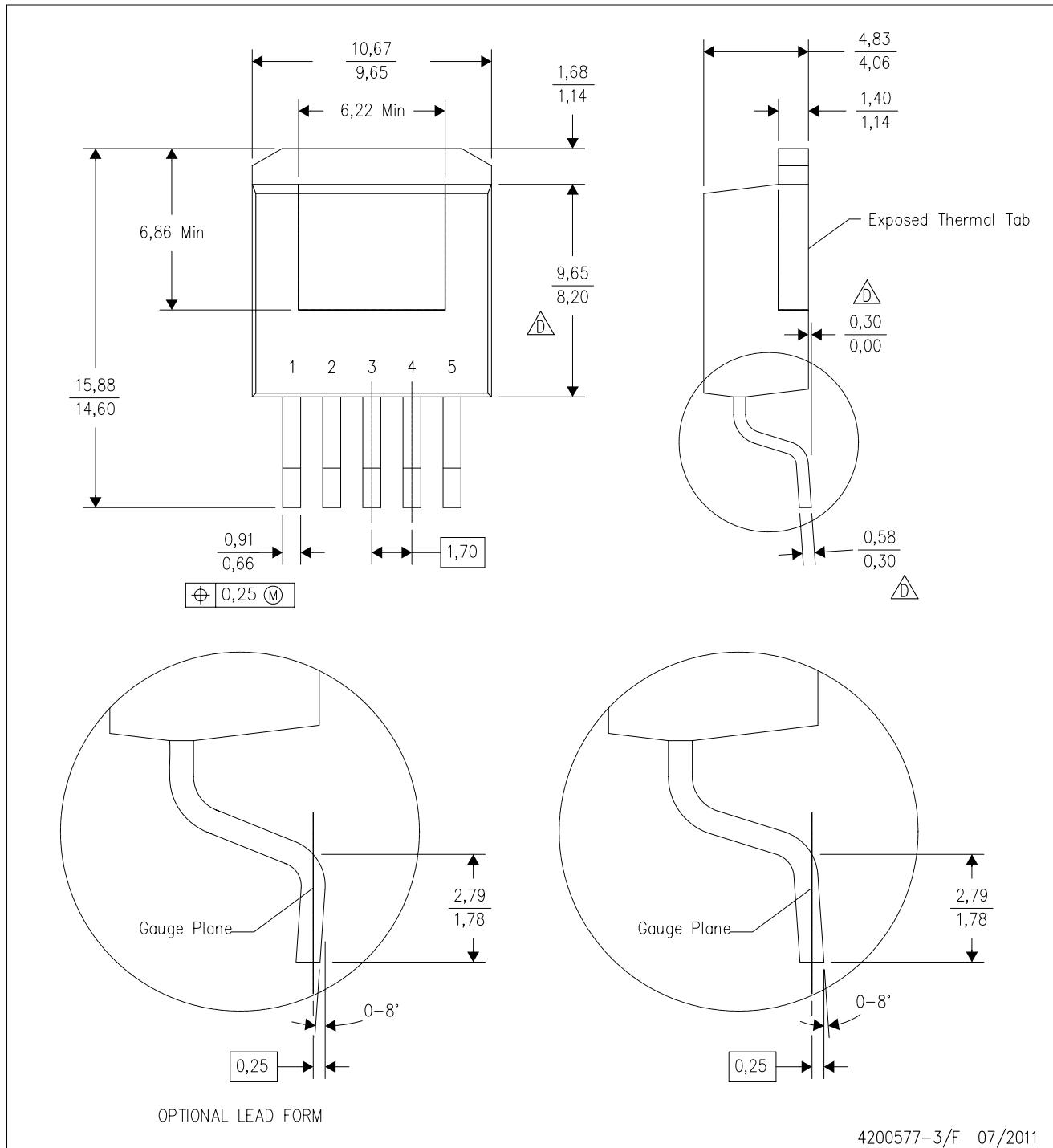
(3) MSL, Peak Temp. -- The Moisture Sensitivity Level rating according to the JEDEC industry standard classifications, and peak solder temperature.

Important Information and Disclaimer: The information provided on this page represents TI's knowledge and belief as of the date that it is provided. TI bases its knowledge and belief on information provided by third parties, and makes no representation or warranty as to the accuracy of such information. Efforts are underway to better integrate information from third parties. TI has taken and continues to take reasonable steps to provide representative and accurate information but may not have conducted destructive testing or chemical analysis on incoming materials and chemicals. TI and TI suppliers consider certain information to be proprietary, and thus CAS numbers and other limited information may not be available for release.

In no event shall TI's liability arising out of such information exceed the total purchase price of the TI part(s) at issue in this document sold by TI to Customer on an annual basis.

KTT (R-PSFM-G5)

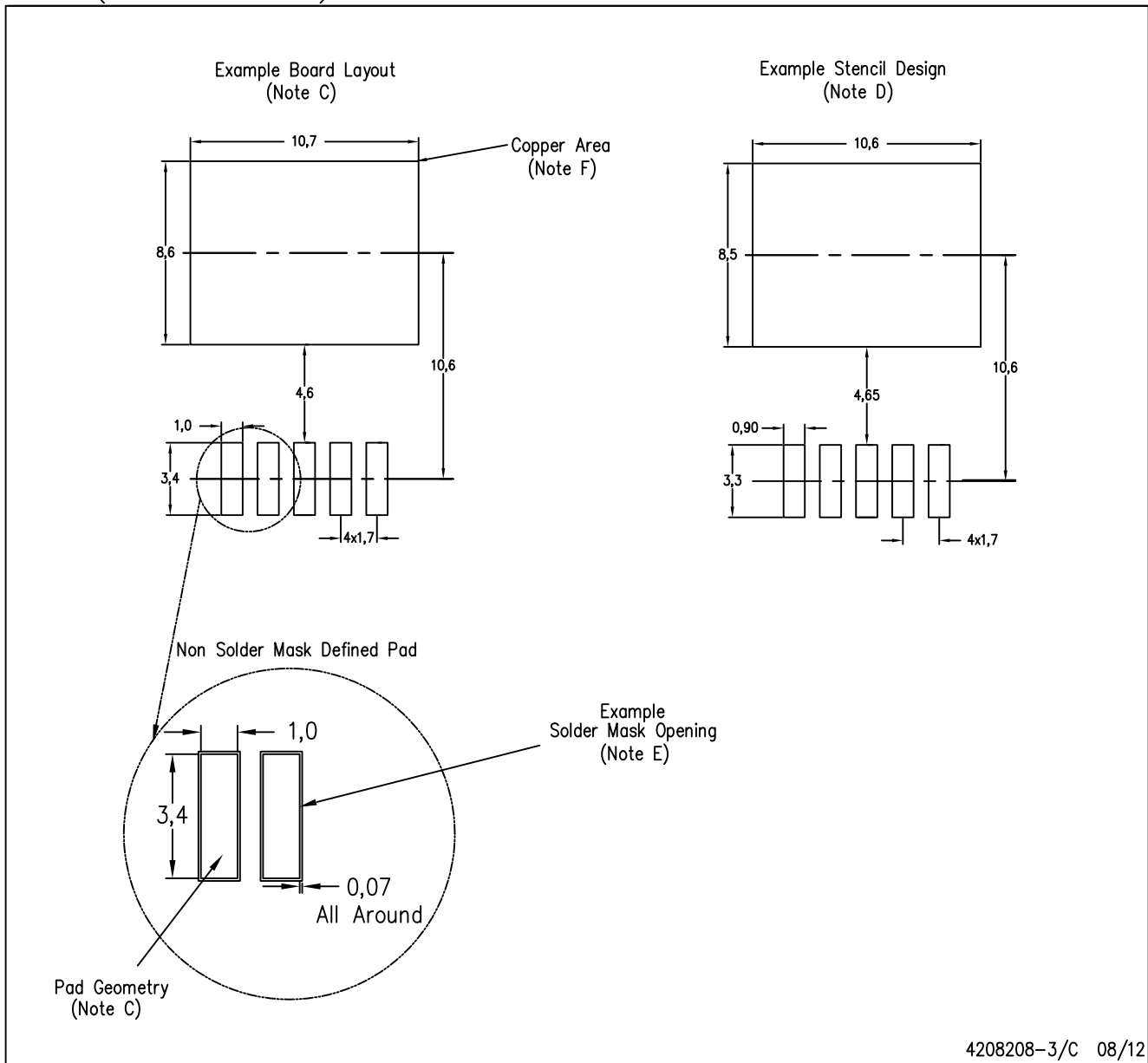
PLASTIC FLANGE-MOUNT PACKAGE



- NOTES:
- A. All linear dimensions are in millimeters.
 - B. This drawing is subject to change without notice.
 - C. Body dimensions do not include mold flash or protrusion. Mold flash or protrusion not to exceed 0.005 (0,13) per side.
- △ Falls within JEDEC TO-263 variation BA, except minimum lead thickness, maximum seating height, and minimum body length.

KTT (R-PSFM-G5)

PLASTIC FLANGE-MOUNT PACKAGE



4208208-3/C 08/12

- NOTES:
- A. All linear dimensions are in millimeters.
 - B. This drawing is subject to change without notice.
 - C. Publication IPC-SM-782 is recommended for alternate designs.
 - D. Laser cutting apertures with trapezoidal walls and also rounding corners will offer better paste release. Customers should contact their board assembly site for stencil design recommendations. Refer to IPC-7525.
 - E. Customers should contact their board fabrication site for solder mask tolerances between and around signal pads.
 - F. This package is designed to be soldered to a thermal pad on the board. Refer to the Product Datasheet for specific thermal information, via requirements, and recommended thermal pad size. For thermal pad sizes larger than shown a solder mask defined pad is recommended in order to maintain the solderable pad geometry while increasing copper area.

IMPORTANT NOTICE

Texas Instruments Incorporated and its subsidiaries (TI) reserve the right to make corrections, enhancements, improvements and other changes to its semiconductor products and services per JESD46, latest issue, and to discontinue any product or service per JESD48, latest issue. Buyers should obtain the latest relevant information before placing orders and should verify that such information is current and complete. All semiconductor products (also referred to herein as "components") are sold subject to TI's terms and conditions of sale supplied at the time of order acknowledgment.

TI warrants performance of its components to the specifications applicable at the time of sale, in accordance with the warranty in TI's terms and conditions of sale of semiconductor products. Testing and other quality control techniques are used to the extent TI deems necessary to support this warranty. Except where mandated by applicable law, testing of all parameters of each component is not necessarily performed.

TI assumes no liability for applications assistance or the design of Buyers' products. Buyers are responsible for their products and applications using TI components. To minimize the risks associated with Buyers' products and applications, Buyers should provide adequate design and operating safeguards.

TI does not warrant or represent that any license, either express or implied, is granted under any patent right, copyright, mask work right, or other intellectual property right relating to any combination, machine, or process in which TI components or services are used. Information published by TI regarding third-party products or services does not constitute a license to use such products or services or a warranty or endorsement thereof. Use of such information may require a license from a third party under the patents or other intellectual property of the third party, or a license from TI under the patents or other intellectual property of TI.

Reproduction of significant portions of TI information in TI data books or data sheets is permissible only if reproduction is without alteration and is accompanied by all associated warranties, conditions, limitations, and notices. TI is not responsible or liable for such altered documentation. Information of third parties may be subject to additional restrictions.

Resale of TI components or services with statements different from or beyond the parameters stated by TI for that component or service voids all express and any implied warranties for the associated TI component or service and is an unfair and deceptive business practice. TI is not responsible or liable for any such statements.

Buyer acknowledges and agrees that it is solely responsible for compliance with all legal, regulatory and safety-related requirements concerning its products, and any use of TI components in its applications, notwithstanding any applications-related information or support that may be provided by TI. Buyer represents and agrees that it has all the necessary expertise to create and implement safeguards which anticipate dangerous consequences of failures, monitor failures and their consequences, lessen the likelihood of failures that might cause harm and take appropriate remedial actions. Buyer will fully indemnify TI and its representatives against any damages arising out of the use of any TI components in safety-critical applications.

In some cases, TI components may be promoted specifically to facilitate safety-related applications. With such components, TI's goal is to help enable customers to design and create their own end-product solutions that meet applicable functional safety standards and requirements. Nonetheless, such components are subject to these terms.

No TI components are authorized for use in FDA Class III (or similar life-critical medical equipment) unless authorized officers of the parties have executed a special agreement specifically governing such use.

Only those TI components which TI has specifically designated as military grade or "enhanced plastic" are designed and intended for use in military/aerospace applications or environments. Buyer acknowledges and agrees that any military or aerospace use of TI components which have **not** been so designated is solely at the Buyer's risk, and that Buyer is solely responsible for compliance with all legal and regulatory requirements in connection with such use.

TI has specifically designated certain components as meeting ISO/TS16949 requirements, mainly for automotive use. In any case of use of non-designated products, TI will not be responsible for any failure to meet ISO/TS16949.

Products

Audio	www.ti.com/audio
Amplifiers	amplifier.ti.com
Data Converters	dataconverter.ti.com
DLP® Products	www.dlp.com
DSP	dsp.ti.com
Clocks and Timers	www.ti.com/clocks
Interface	interface.ti.com
Logic	logic.ti.com
Power Mgmt	power.ti.com
Microcontrollers	microcontroller.ti.com
RFID	www.ti-rfid.com
OMAP Applications Processors	www.ti.com/omap
Wireless Connectivity	www.ti.com/wirelessconnectivity

Applications

Automotive and Transportation	www.ti.com/automotive
Communications and Telecom	www.ti.com/communications
Computers and Peripherals	www.ti.com/computers
Consumer Electronics	www.ti.com/consumer-apps
Energy and Lighting	www.ti.com/energy
Industrial	www.ti.com/industrial
Medical	www.ti.com/medical
Security	www.ti.com/security
Space, Avionics and Defense	www.ti.com/space-avionics-defense
Video and Imaging	www.ti.com/video

TI E2E Community

e2e.ti.com