

**SigmaTel, Inc.**

*Integrating Mixed-Signal Solutions*

**STAC9721/23**  
**Stereo AC'97 Codec**  
**With Multi-Codec Option**

**GENERAL DESCRIPTION:**

*SigmaTel's* STAC9721/23 is a general-purpose 18-bit stereo, full duplex, audio codec that conforms to the analog component specification of AC'97 (Audio Codec 97 Component Specification Rev. 2.1). The STAC9721/23 incorporates *SigmaTel's* proprietary Sigma-Delta technology to achieve a DAC SNR in excess of 95dB. The DACs, ADCs, and mixer are integrated with analog I/Os, which include four analog line-level stereo inputs, two analog line-level mono inputs, two stereo outputs, and one mono output channel. Also included are *SigmaTel's* 3D stereo enhancement (**SS3D**), and an extra true line-level out for headphones or speaker amplifiers. The STAC9721/23 may be used as a secondary codec, with the STAC9700/04/07/44/45 or a 4-channel STAC9708 as the primary, in multiple codec configurations conforming to the AC'97 Rev. 2.1 specification. This configuration can provide up to six-channel output, providing AC-3 playback for DVD applications. The STAC9721/23 communicates via the five-wire AC-Link interface with any AC-Link capable controller or advanced core logic chip-set. Packaged in an AC'97 compliant 48-pin TQFP, the STAC9721/23 can be placed on motherboards, daughter boards, add-on cards or AMR/MDC cards.

**FEATURES:**

- High performance  $\Sigma\Delta$  technology
- Energy saving power down modes
- 18-bit full duplex stereo ADC, DACs
- AC-Link protocol compliance
- 3.3V Multiple power supply options
- Pin compatible with the STAC9700/44/45
- SigmaTel Surround (SS3D) Stereo Enhancement
- EAPD – External Amplifier Power Down Control
- Multi-Codec option (Intel AC'97 rev 2.1)
- Six analog line-level inputs
- 48-pin TQFP
- LINE-to-LINE SNR 102dB
- The STAC9723 is tested at +3.3V

**ORDERING INFORMATION:**

PART NUMBER	PACKAGE	TEMPERATURE RANGE	SUPPLY RANGE
STAC9721T	48-pin TQFP 7mm x7mm x 1.4mm	0° C to +70° C	DVdd = 3.3V or 5V, AVdd = 5V
STAC9723T	48-pin TQFP 7mmx7mm x 1.4mm	0° C to +70° C	DVdd = 3.3V, AVdd = 3.3V

SigmaTel reserves the right to change specifications without notice

**Table of Contents**

<b>GENERAL DESCRIPTION:</b> .....	<b>1</b>
<b>TABLE OF CONTENTS</b> .....	<b>2</b>
<b>TABLE OF CONTENTS – FIGURES</b> .....	<b>3</b>
<b>1. PIN/SIGNAL DESCRIPTIONS</b> .....	<b>7</b>
1.1 DIGITAL I/O	7
1.2 ANALOG I/O	8
1.3 FILTER/REFERENCES/GPIO	9
1.4 POWER AND GROUND SIGNALS	9
<b>2. AC-LINK</b> .....	<b>10</b>
2.1 CLOCKING	10
2.2 RESET	10
<b>3. DIGITAL INTERFACE</b> .....	<b>11</b>
3.1 AC-LINK SERIAL INTERFACE	11
3.2 AC-LINK LOW POWER MODE	18
<b>4. STAC9721/23 MIXER</b> .....	<b>19</b>
4.1 MIXER INPUT	20
4.2 MIXER OUTPUT	20
4.3 PC BEEP IMPLEMENTATION	20
4.4 PROGRAMMING REGISTERS:	21
<b>5. LOW POWER MODES</b> .....	<b>29</b>
<b>6. MULTIPLE CODEC SUPPORT</b> .....	<b>31</b>
6.1 PRIMARY/SECONDARY CODEC	31
6.2 SECONDARY CODEC ACCESS	32
<b>7. TESTABILITY</b> .....	<b>32</b>
<b>8. EXTENDED FUNCTIONALITY</b> .....	<b>33</b>
8.1 ANTI-POP CIRCUITRY	33
<b>9. AC TIMING CHARACTERISTICS</b>	<b>33</b>
9.1 COLD RESET	33
9.2 WARM RESET	34
9.3 CLOCKS	34
9.4 DATA SETUP AND HOLD	35
9.5 SIGNAL RISE AND FALL	35

9.6 AC-LINK LOW POWER MODE	36
9.7 ATE TEST MODE	37

**10. ELECTRICAL SPECIFICATIONS: ...38**

10.1 MAXIMUM RATINGS:	38
10.2 RECOMMENDED CONDITIONS	38
10.3 POWER CONSUMPTION	39
10.4 AC-LINK STATIC DIGITAL	41
10.5 STAC9721 ANALOG	41
10.6 STAC9723 ANALOG	43

**APPENDIX A .....45****APPENDIX B .....46****TABLE of Tables**

<b>Table 1. Package Dimensions</b>	<b>4</b>
<b>Table 2. Pin Designation</b>	<b>4</b>
<b>Table 3. Digital Signal List</b>	<b>7</b>
<b>Table 4. Analog Signal List</b>	<b>8</b>
<b>Table 5. Filtering and Voltage References</b>	<b>9</b>
<b>Table 6. Mixer Functional Connections</b>	<b>20</b>
<b>Table 7. Programming Registers</b>	<b>21</b>
<b>Table 8. Play Master Volume Register</b>	<b>22</b>
<b>Table 9. PC_BEEP Register</b>	<b>22</b>
<b>Table 10. Analog Mixer Input Gain Register</b>	<b>23</b>
<b>Table 11. Record Select Control Registers</b>	<b>23</b>
<b>Table 12. Left Record Select Control Registers</b>	<b>23</b>
<b>Table 13. Record Gain Registers</b>	<b>24</b>
<b>Table 14. General Purpose Register</b>	<b>24</b>
<b>Table 15. 3D Control Registers</b>	Error! Bookmark not defined.
<b>Table 16. Powerdown Status Registers</b>	<b>25</b>
<b>Table 17. Extended Audio ID Functions</b>	<b>26</b>
<b>Table 19: Analog Current Adjust</b>	<b>27</b>
<b>Table 16. Multi-Channel Programming</b>	<b>28</b>
<b>Table 18. Low Power Modes</b>	<b>29</b>
<b>Table 19. Codec ID Selection</b>	<b>31</b>
<b>Table 20. Secondary Codec Register Access</b>	<b>32</b>

Table 21. Cold Reset	33	Figure 2. STAC9721/23 Block Diagram.....	5
Table 22. Warm Reset	34	Figure 3. AC-Link to its companion controller ..	10
Table 23. Clocks	34	Figure 4. Bi-directional Audio Frame .....	12
Table 24. Data Setup and Hold	35	Figure 5. AC-Link Audio Output Frame .....	12
Table 25. Signal Rise and Fall Times	35	Figure 6. Start of an Audio Output Frame .....	13
Table 26. AC-Link Low Power Mode Timing	36	Figure 7. STAC9721/23 Audio Input Frame .....	16
Table 27. ATE Test Mode	37	Figure 8. Start of an Audio Input Frame .....	16
Table 28. Operating Conditions	38	Figure 9. STAC9721/23 Powerdown Timing .....	18
Table 33: Power Consumption 39		Figure 10. STAC9721/23 Mixer .....	19
Table 34: Power Consumption at 3.3V Analog	39	Figure 11. Powerdown/Powerup flow.....	29
Table 35: Reduced Analog Power Settings	40	Figure 12. Powerdown/Powerup flow .....	30
Table 30. AC-Link Static Specifications	41	Figure 13. Cold Reset.....	33
Table 31. Analog Performance Characteristics	41	Figure 14. Warm Reset.....	34
Table 32. Analog Performance Characteristics	43	Figure 15. Clocks.....	34
		Figure 16. Data Setup and Hold.....	35
		Figure 17. Signal Rise and Fall Times .....	35
		Figure 18. AC-Link Low Power Mode Timing..	36
		Figure 19. ATE Test Mode.....	37
 <b>Table of Contents – Figures</b>			
Figure 1. Package Outline .....	4		

Figure 1. Package Outline

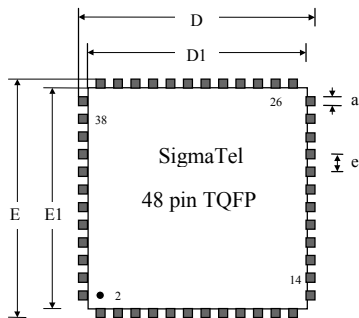


Table 1. Package Dimensions

Key	TQFP Dimensions
D	9.00 mm
D1	7.00 mm
E	9.00 mm
E1	7.00 mm
a (lead width)	0.20 mm
e (pitch)	0.50 mm
thickness	1.4 mm

Table 2. Pin Designation

PIN #	Signal Name	PI N #	Signal Name	PIN #	Signal Name	PIN #	Signal Name
1	DVdd1	13	PHONE	25	AVdd1	37	MONO_OUT
2	XTL_IN	14	AUX_L	26	AVss1	38	AVdd2
3	XTL_OUT	15	AUX_R	27	Vref	39	LNLVL_OUT_L
4	DVss1	16	VIDEO_L	28	Vrefout	40	NC
5	SDATA_OUT	17	VIDEO_R	29	AFILT1	41	LNLVL_OUT_R
6	BIT_CLK	18	CD_L	30	AFILT2	42	AVss2
7	DVss2	19	CD_GND	31	CAP1	43	NC
8	SDATA_IN	20	CD_R	32	CAP2	44	NC
9	DVdd2	21	MIC1	33	CAP3	45	CID0
10	SYNC	22	MIC2	34	APOP	46	CID1
11	RESET#	23	LINE_IN_L	35	LINE_OUT_L	47	EAPD
12	PC_BEEP	24	LINE_IN_R	36	LINE_OUT_R	48	NC

# denotes active low

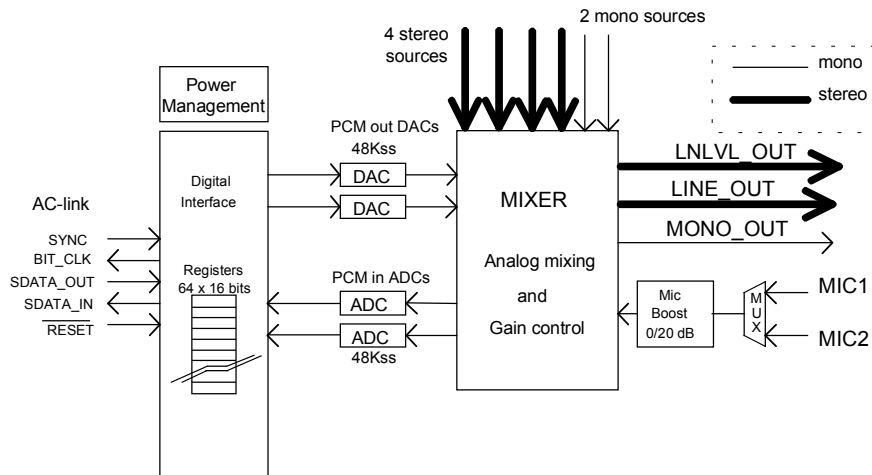


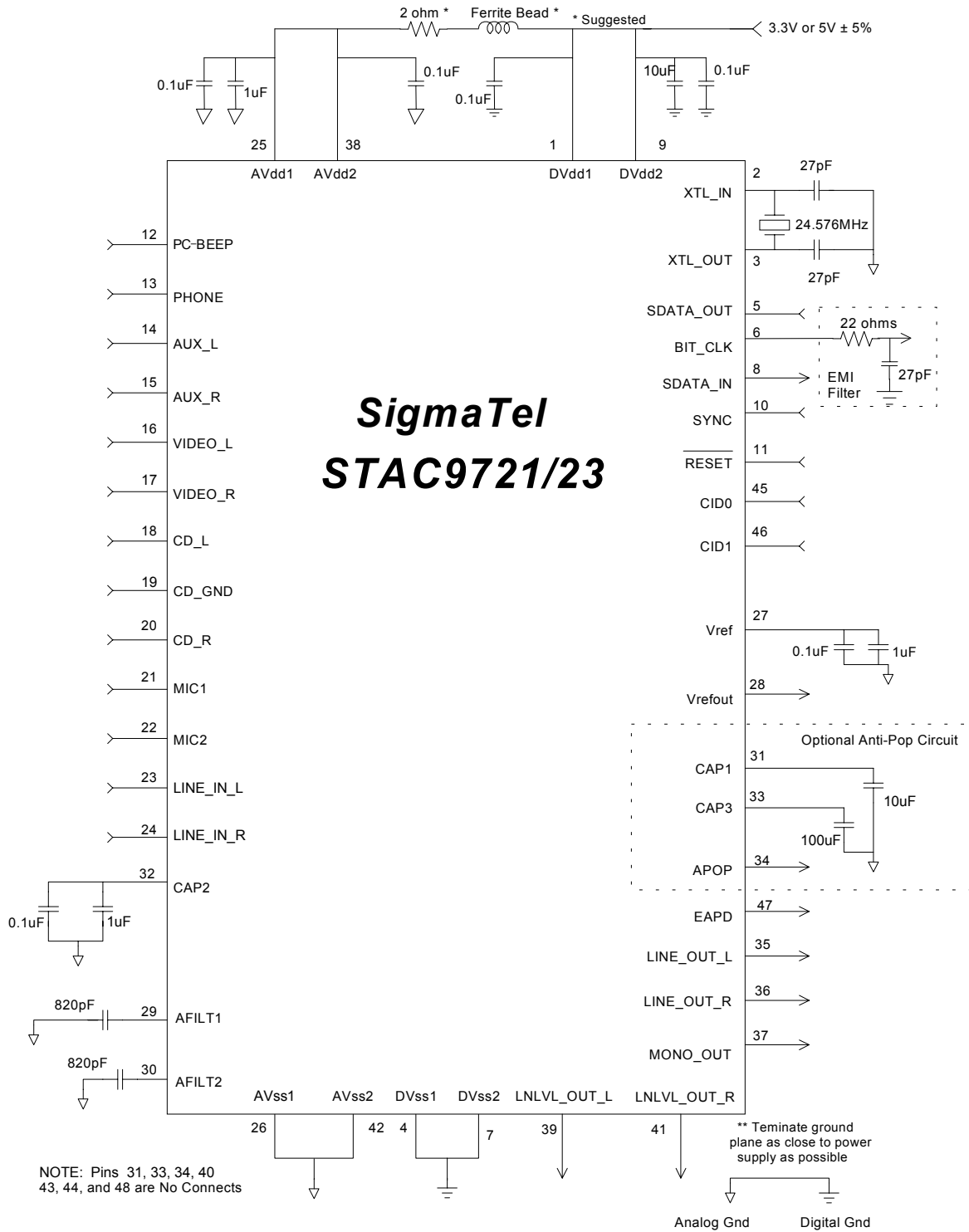
Figure 2. STAC9721/23 Block Diagram

The **STAC9721/23** block diagram is illustrated above. It performs fixed 48K sample rate D-A & A-D conversion, mixing, and analog processing. The digital interface communicates with the AC'97 controller via the five wire AC-Link and contains the 64 word by 16-bit registers. Two, fixed 48Ks/s DAC's support two stereo PCM-out channels. The digital mix of all software sources, including the internal synthesizer and any other digital sources, is performed in the digital controller. The Mixer block mixes the PCM\_OUT with any analog sources, then outputs to LINE\_OUT and LNLVL\_OUT. The MONO\_OUT delivers either mic only or a mono mix of sources from the mixer. The two fixed 48Ks/s ADC's take any mix of mono or stereo sources and convert it to a stereo PCM-in signal. All ADC's and DAC's operate at 18-bit resolution.

The **STAC9721/23** is designed primarily to support stereo, 2-speaker audio. However, true AC-3 playback can be achieved for 6-speaker applications by taking advantage of the multi-codec option in the **STAC9721/23**. Using this option with a STAC9704/07/21/23 or the 4-channel STAC9708 as the primary codec, and the STAC9721/23 as the secondary codec, 6-channel output can be achieved in an AC'97 architecture. Also, the **STAC9721/23** provides for a stereo enhancement feature, **SigmaTel Surround 3D or SS3D**. **SS3D** provides the listener with several options to expand the soundstage beyond the normal 2-speaker arrangement.

Together, with the logic component (controller or advanced core logic chip-set) of AC'97, the **STAC9721/23** can be SoundBlaster® and Windows Sound System® compatible. SoundBlaster® is a registered trademark of Creative Labs. Windows® is a registered trademark of Microsoft Corporation.

**Figure 3. Connection Diagram –**  
 See Appendix A for an alternative connection diagram when using separate supplies.  
 See Appendix B for specific connection requirements prior to operation.



## 1. PIN/SIGNAL DESCRIPTIONS

### 1.1 Digital I/O

These signals connect the **STAC9721/23** to its AC'97 controller counterpart, an external crystal, multi-codec selection and external audio amplifier.

**Table 3. Digital Signal List**

Signal Name	Type	Description
RESET #	I	AC'97 Master H/W Reset
XTL_IN	I	24.576 MHz Crystal
XTL_OUT	O	24.576 MHz Crystal
SYNC	I	48 kHz fixed rate sample sync
BIT_CLK	O	12.288 MHz serial data clock
SDATA_OUT	I	Serial, time division multiplexed, AC'97 input stream
SDATA_IN	O	Serial, time division multiplexed, AC'97 output stream
CID0	I	Multi-Codec ID select – bit 0
CID1	I	Multi-Codec ID select – bit 1
EAPD	O	External Amplifier Power Down

# denotes active low

## 1.2 Analog I/O

These signals connect the STAC9721/23 to analog sources and sinks, including microphones and speakers.

**Table 4. Analog Signal List**

Signal Name	Type	Description
PC-BEEP	I	PC Speaker beep pass-through
PHONE	I	From telephony subsystem speakerphone (or DLP - Down Line Phone)
MIC1	I	Desktop Microphone Input
MIC2	I	Second Microphone Input
LINE-IN-L	I	Line In Left Channel
LINE-IN-R	I	Line In Right Channel
CD-L	I	CD Audio Left Channel
CD-GND	I	CD Audio analog ground
CD-R	I	CD Audio Right Channel
VIDEO-L	I	Video Audio Left Channel
VIDEO-R	I	Video Audio Right Channel
AUX-L	I	Aux Left Channel
AUX-R	I	Aux Right Channel
LINE-OUT-L	O	Line Out Left Channel
LINE-OUT-R	O	Line Out Right Channel
MONO-OUT	O	To telephony subsystem speakerphone (or DLP - Down Line Phone)
LNLVL_OUT_ L	O	True Line Level Out Left Channel
LNLVL_OUT_ R	O	True Line Level Out Right Channel

\* Note: any unused input pins should be tied together and connected to ground with a capacitor (0.1 uF suggested), except the MIC1 and MIC2 inputs which require their own 0.1 uF capacitors to ground if not used.



### 1.3 Filter/References/GPIO

These signals are connected to resistors, capacitors, specific voltages, or provide general purpose I/O.

**Table 5. Filtering and Voltage References**

Signal Name	Type	Description
Vref	O	Reference Voltage
Vrefout	O	Reference Voltage out 5mA drive (intended for mic bias)
AFILT1	O	Anti-Aliasing Filter Cap - ADC channel
AFILT2	O	Anti-Aliasing Filter Cap - ADC channel
CAP1	O	Analog Output Hold-Off Delay
CAP2	O	ADC reference Cap
CAP3	O	Anti-Pop Power Sustain Delay
APOP	O	Anti-Pop Output Ground Shunt Control
EAPD	O	External Amplifier Power Down Control

### 1.4 Power and Ground Signals

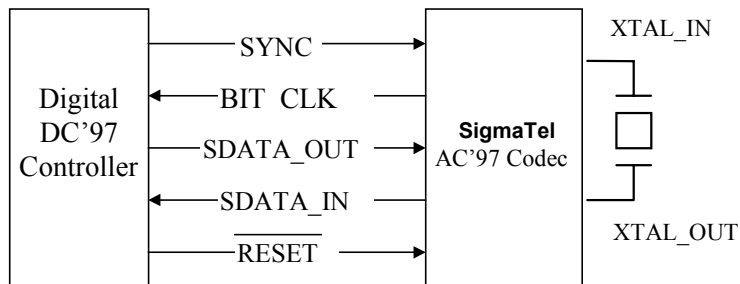
**Table 6. Power Signal List STAC9721/23**

Signal Name	Type	STAC9721	STAC9723
AVdd1	I	Analog Vdd = 5.0V	Analog Vdd = 3.3V
AVdd2	I	Analog Vdd = 5.0V	Analog Vdd = 3.3V
AVss1	I	Analog Gnd	Analog Gnd
AVss2	I	Analog Gnd	Analog Gnd
DVdd1	I	Digital Vdd = 5.0V or 3.3V	Digital Vdd = 3.3V
DVdd2	I	Digital Vdd = 5.0V or 3.3V	Digital Vdd = 3.3V
DVss1	I	Digital Gnd	Digital Gnd
DVss2	I	Digital Gnd	Digital Gnd

## 2. AC-LINK

Below is the figure of the AC-Link point to point serial interconnect between the STAC9721/23 and its companion controller. All digital audio streams and command/status information are communicated over this AC-Link. Please refer to the “Digital Interface” section 3 for details.

**Figure 3. STAC9721/23's AC-Link to its companion controller**



### 2.1 Clocking

**STAC9721/23** derives its clock internally from an externally connected 24.576 MHz crystal or an oscillator through the XTAL\_IN pin. Synchronization with the AC'97 controller is achieved through the BIT\_CLK pin at 12.288 MHz (half of crystal frequency).

The beginning of all audio sample packets, or “Audio Frames”, transferred over AC-Link is synchronized to the rising edge of the “SYNC” signal driven by the AC'97 controller. Data is transitioned on AC-Link on every rising edge of BIT\_CLK, and subsequently sampled by the receiving side on each immediately following falling edge of BIT\_CLK.

### 2.2 Reset

There are 3 types of resets as detailed under “Timing Characteristics”.

- “cold” reset where all **STAC9721/23** logic and registers are initialized to their default state
- “warm” reset where the contents of the **STAC9721/23** register set are left unaltered
- “register” reset which only initializes the **STAC9721/23** registers to their default states

After signaling a reset to the **STAC9721/23**, the AC'97 controller should not attempt to play or capture audio data until it has sampled a “Codec Ready” indication via register 26h from the **STAC9721/23**. For proper reset operation SDATA\_OUT should be “0” during “cold” reset. See “Testability” section for more information.

### 3. DIGITAL INTERFACE

#### 3.1 AC-Link Digital Serial Interface Protocol

The **STAC9721/23** communicates to the AC'97 controller via a 5-pin digital serial AC-Link interface, which is a bi-directional, fixed rate, serial PCM digital stream. All digital audio streams, commands and status information are communicated over this point-to-point serial interconnect. The AC-Link handles multiple inputs, and output audio streams, as well as control register accesses using a time division multiplexed (TDM) scheme. The AC'97 controller synchronizes all AC-Link data transaction. The following data streams are available on the **STAC9721/23**:

<b>PCM Playback</b>	<b>4 output slots</b>	4 Channel composite PCM output stream
<b>PCM Record data</b>	<b>2 input slots</b>	2 Channel composite PCM input stream
<b>Control</b>	<b>2 output slots</b>	Control register write port
<b>Status</b>	<b>2 input slots</b>	Control register read port

Synchronization of all AC-Link data transactions is handled by the AC'97 controller. The **STAC9721/23** drives the serial bit clock onto AC-Link. The AC'97 controller then qualifies with a synchronization signal to construct audio frames.

SYNC, fixed at 48 kHz, is derived by dividing down the serial bit clock (BIT\_CLK). BIT\_CLK, fixed at 12.288 MHz, provides the necessary clocking granularity to support 12, 20-bit outgoing and incoming time slots. AC-Link serial data is transitioned on each rising edge of BIT\_CLK. The receiver of AC-Link data, **STAC9721/23** for outgoing data and AC'97 controller for incoming data, samples each serial bit on the falling edges of BIT\_CLK.

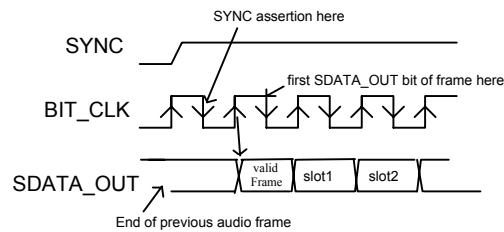
The AC-Link protocol provides for a special 16-bit (13-bits defined, with 3 reserved trailing bit positions) time slot (Slot 0) wherein each bit conveys a valid tag for its corresponding time slot within the current audio frame. A "1" in a given bit position of slot 0 indicates that the corresponding time slot within the current audio frame has been assigned to a data stream, and contains valid data. If a slot is "tagged" invalid, it is the responsibility of the source of the data (**STAC9721/23** for the input stream, AC'97 controller for the output stream) to stuff all bit positions with 0's during that slot's active time.

SYNC remains high for a total duration of 16 BIT\_CLKs at the beginning of each audio frame. The portion of the audio frame where SYNC is high is defined as the "Tag Phase". The remainder of the audio frame where SYNC is low is defined as the "Data Phase".

Additionally, for power savings, all clock, sync, and data signals can be halted.



Figure 6. Start of an Audio Output Frame



SDATA\_OUT's composite stream is MSB justified (MSB first) with all non-valid slots' bit positions stuffed with 0's by the AC'97 controller.

When mono audio sample streams are sent from the AC'97 controller it is necessary that BOTH left and right sample stream time slots be filled with the same data.

### 3.1.1.1 Slot 1: Command Address Port

The command port is used to control features, and monitor status (see Audio Input Frame Slots 1 and 2) of the **STAC9721/23** functions including, but not limited to, mixer settings, and power management (refer to the control register section of this specification).

The control interface architecture supports up to 64 16-bit read/write registers, addressable on even byte boundaries. Only the even registers (00h, 02h, etc.) are valid.

Audio output frame slot 1 communicates control register address, and write/read command information to the **STAC9721/23**.

*Command Address Port bit assignments:*

- Bit (19) Read/Write command (1=read, 0=write)
- Bit (18:12) Control Register Index (64 16-bit locations, addressed on even byte boundaries)
- Bit (11:0) Reserved (Stuffed with 0's)

The first bit (MSB) sampled by **STAC9721/23** indicates whether the current control transaction is a read or a write operation. The following 7 bit positions communicate the targeted control register address. The trailing 12 bit positions within the slot are reserved and must be stuffed with 0's by the AC'97 controller.

### 3.1.1.2 Slot 2: Command Data Port

The command data port is used to deliver 16-bit control register write data in the event that the current command port operation is a write cycle. (as indicated by Slot 1, bit 19)

- Bit (19:4) Control Register Write Data (Stuffed with 0's if current operation is a read)
- Bit (3 :0) Reserved (Stuffed with 0's)

If the current command port operation is a read then the entire slot time must be stuffed with 0's by the AC'97 controller.

### 3.1.1.3 Slot 3: PCM Playback Left Channel

Audio output frame slot 3 is the composite digital audio left playback stream. In a typical "Games Compatible" PC this slot is composed of standard PCM (.wav) output samples digitally mixed (by the AC'97 controller or host processor) with music synthesis output samples. If a sample stream of resolution less than 20-bits is transferred, the AC'97 controller must stuff all trailing non-valid bit positions within this time slot with 0's. Please refer to the register programming section for details on the multi-channel programming options.

### 3.1.1.4 Slot 4: PCM Playback Right Channel

Audio output frame slot 4 is the composite digital audio right playback stream. In a typical "Games Compatible" PC this slot is composed of standard PCM (.wav) output samples digitally mixed (by the AC'97 controller or host processor) with music synthesis output samples. If a sample stream of resolution less than 20-bits is transferred, the AC'97 controller must stuff all trailing non-valid bit positions within this time slot with 0's. Please refer to the register programming section for details on the multi-channel programming options.

### 3.1.1.5 Slot 5: Reserved

Audio output frame slot 5 is reserved for modem operation and is not used by the STAC9721/23.

### 3.1.1.6 Slot 6: PCM Center Channel

Audio output frame slot 6 is the composite digital audio center stream used in a multi-channel application where the **STAC9721/23** has been programmed to accept the DAC PCM data from slots 6 and 9. Please refer to the register programming section for details on the multi-channel programming options.

### 3.1.1.7 Slot 7: PCM Left Surround Channel

Audio output frame slot 7 is the composite digital audio left surround stream used in a multi-channel application where the **STAC9721/23** has been programmed to accept the DAC PCM data from slots 7 and 8. Please refer to the register programming section for details on the multi-channel programming options.

### 3.1.1.8 Slot 8: PCM Right Surround Channel

Audio output frame slot 8 is the composite digital audio right surround stream used in a multi-channel application where the **STAC9721/23** has been programmed to accept the DAC PCM data from slots 7 and 8. Please refer to the register programming section for details on the multi-channel programming options.

### 3.1.1.9 Slot 9: PCM Low Frequency Channel

Audio output frame slot 9 is the composite digital audio low frequency stream used in a multi-channel application where the **STAC9721/23** has been programmed to accept the DAC DAC PCM data from slots 6 and 9. Please refer to the register programming section for details on the multi-channel programming options.

### 3.1.1.10 Slot 10: PCM Alternate Left

Audio output frame slot 10 is the composite digital audio alternate left stream used in a multi-channel application where the **STAC9721/23** has been programmed to accept the DAC PCM data from slots 10 and 11. Please refer to the register programming section for details on the multi channel programming options.

### 3.1.1.11 Slot 11: PCM Alternate Right

Audio output frame slot 11 is the composite digital audio alternate right stream used in a multi-channel application where the **STAC9721/23** has been programmed to accept the DAC PCM data from slots 10 and 11. Please refer to the register programming section for details on the multi channel programming options.

### 3.1.1.12 Slot 12: Reserved

Audio output frame slot 12 is reserved for modem operations and is not used by the **STAC9721/23**.

## 3.1.2 AC-Link Audio Input Frame (SDATA\_IN)

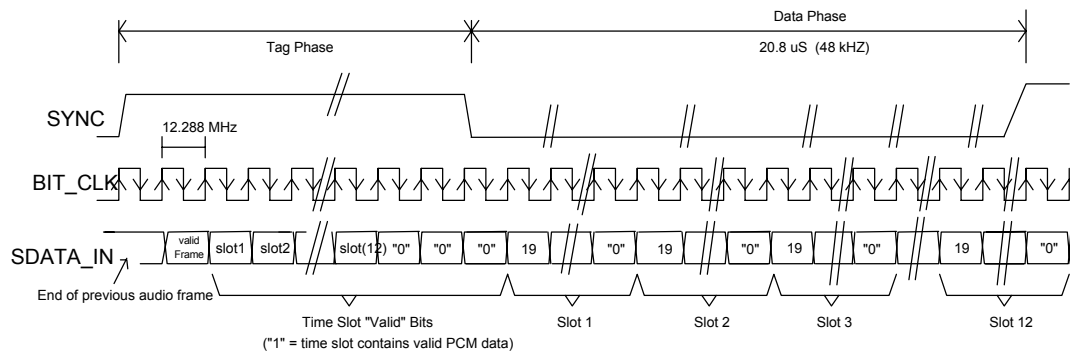
The audio input frame data streams correspond to the multiplexed bundles of all digital input data targeting the AC'97 controller. As is the case for audio output frame, each AC-Link audio input frame consists of 12, 20-bit time slots. Slot 0 is a special reserved time slot containing 16 bits that are used for AC-Link protocol infrastructure.

Within slot 0 the first bit is a global bit (SDATA\_IN slot 0, bit 15) which flags whether the **STAC9721/23** is in the "Codec Ready" state or not. If the "Codec Ready" bit is a 0, this indicates that **STAC9721/23** is not ready for normal operation. This condition is normal following the de-assertion of power on reset, for example, while **STAC9721/23**'s voltage references settle. When the AC-Link "Codec Ready" indicator bit is a 1, it indicates that the AC-Link and **STAC9721/23** control/status registers are in a fully operational state. The AC'97 controller must further probe the Powerdown Control Status Register index 26h (refer to Mixer Register section) to determine exactly which subsections, if any, are ready.

Prior to any attempts at putting **STAC9721/23** into operation the AC'97 controller should poll the first bit in the audio input frame (SDATA\_IN slot 0, bit 15) for an indication that **STAC9721/23** has become "Codec Ready". Once the **STAC9721/23** is sampled "Codec Ready", the next 12 bit positions sampled by the AC'97 controller indicate which of the

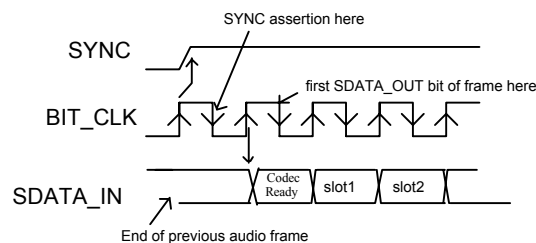
corresponding 12 time slots are assigned to input data streams, and that they contain valid data. The following diagram illustrates the time slot based AC-Link protocol.

**Figure 7. STAC9721/23 Audio Input Frame**



A new audio input frame begins with a low to high transition of SYNC. SYNC is synchronous to the rising edge of BIT\_CLK. On the immediately following falling edge of BIT\_CLK, **STAC9721/23** samples the assertion of SYNC. This falling edge marks the time when both sides of AC-Link are aware of the start of a new audio frame. On the next rising of BIT\_CLK, the **STAC9721/23** transitions SDATA\_IN into the first bit position of slot 0 ("Codec Ready" bit). Each new bit position is presented to AC-Link on a rising edge of BIT\_CLK and subsequently sampled by the AC'97 controller on the following falling edge of BIT\_CLK. This sequence ensures that data transitions, and subsequent sample points for both incoming and outgoing data streams are time aligned.

**Figure 8. Start of an Audio Input Frame**



SDATA\_IN's composite stream is MSB justified (MSB first) with all non-valid bit positions (for assigned and/or unassigned time slots) stuffed with 0's by **STAC9721/23**. SDATA\_IN data is sampled on the falling edges of BIT\_CLK.

### 3.1.2.1 Slot 1: Status Address Port

The status port is used to monitor status for **STAC9721/23** functions including, but not limited to, mixer settings, and power management.



Audio input frame slot 1's stream echoes the control register index, for historical reference, for the data to be returned in slot 2. (Assuming that slots 1 and 2 had been tagged "valid" by **STAC9721/23** during slot 0)

*Status Address Port hit assignments:*

Bit (19)	RESERVED	Stuffed with 0)
Bit (18;12)	Control Register Index	(Echo of register index for which data is being returned)
Bit (11:0)	RESERVED	(Stuffed with 0's)

The first bit (MSB) generated by **STAC9721/23** is always stuffed with a 0. The following 7 bit positions communicate the associated control register address, and the trailing 12 bit positions are stuffed with 0's by **STAC9721/23**.

### 3.1.2.2 Slot 2: Status Data Port

The status data port delivers 16-bit control register read data.

Bit (19:4)	Control Register Read Data (Stuffed with 0's if tagged "invalid")
Bit (3 :0)	RESERVED (Stuffed with 0's)

If Slot 2 is tagged "invalid" by **STAC9721/23**, then the entire slot will be stuffed with 0's.

Slot 3: PCM Record Left Channel

Audio input frame slot 3 is the left channel output of **STAC9721/23** input MUX, post-ADC.

**STAC9721/23** ADCs are implemented to support 18-bit resolution.

**STAC9721/23** outputs its ADC data (MSB first), and stuffs any trailing non-valid bit positions with 0's to fill out its 20-bit time slot.

### 3.1.2.3 Slot 4: PCM Record Right Channel

Audio input frame slot 4 is the right channel output of **STAC9721/23** input MUX, post-ADC.

**STAC9721/23** outputs its ADC data (MSB first), and stuffs any trailing non-valid bit positions with 0's to fill out its 20-bit time slot.

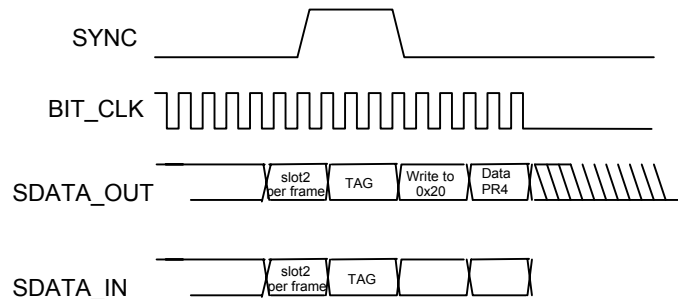
### 3.1.2.4 Slots 5-12: Reserved

Audio input frame slots 5-12 are not used by the **STAC97908/11** and are always stuffed with 0's.

### 3.2 AC-Link Low Power Mode

The STAC9721/23 AC-Link can be placed in the low power mode by programming register 26h to the appropriate value. Both BIT\_CLK and SDATA\_IN will be brought to, and held at a logic low voltage level. The AC'97 controller can wake up the STAC9721/23 by providing the appropriate reset signals.

Figure 9. STAC9721/23 Powerdown Timing



Note: BIT\_CLK not to scale

BIT\_CLK and SDATA\_IN are transitioned low immediately (within the maximum specified time) following the decode of the write to the Powerdown Register (26h) with PR4. When the AC'97 controller driver is at the point where it is ready to program the AC-Link into its low power mode, slots (1 and 2) are assumed to be the only valid stream in the audio output frame (all sources of audio input have been neutralized).

The AC'97 controller should also drive SYNC and SDATA\_OUT low after programming the STAC9721/23 to this low power mode.

#### 3.2.1 Waking up the AC-Link

Once the STAC9721/23 has halted BIT\_CLK, there are only two ways to “wake up” the AC-Link. Both methods must be activated by the AC'97 controller.

The AC-Link protocol provides for a “Cold AC'97 Reset”, and a “Warm AC'97 Reset”. The current power down state would ultimately dictate which form of reset is appropriate. Unless a “cold” or “register” reset (a write to the Reset register) is performed, wherein the AC'97 registers are initialized to their default values, registers are required to keep state during all power down modes. Once powered down, re-activation of the AC-Link via re-assertion of the SYNC signal must not occur for a minimum of 4 audio frame times following the frame in which the power down was triggered. When AC-Link powers up it indicates readiness via the Codec Ready bit (input slot 0, bit 15).

**Cold Reset** - a cold reset is achieved by asserting RESET# for the minimum specified time. By driving RESET# low, BIT\_CLK, and SDATA\_IN will be activated, or re-activated as the case may be, and all STAC9721/23 control registers will be initialized to their default power on reset values.

Note: RESET# is an asynchronous input. # denotes active low

**Warm Reset** - a warm reset will re-activate the AC-Link without altering the current STAC9721/23 register values. A warm reset is signaled by driving SYNC high for a minimum of 1us in the absence of BIT\_CLK.

Note: Within normal audio frames, SYNC is a synchronous input. However, in the absence of BIT\_CLK, SYNC is treated as an asynchronous input used in the generation of a warm reset to the STAC9721/23.

#### 4. STAC9721/23 MIXER

The STAC9721/23 mixer is designed to the AC'97 specification to manage the playback and record of all digital and analog audio sources in the PC environment. These include:

- System Audio: digital PCM input and output for business, games and multimedia
- CD/DVD: analog CD/DVD-ROM Redbook audio with internal connections to Codec mixer
- Mono microphone: choice of desktop mic, with programmable boost and gain
- Speakerphone: use of system mic and speakers for telephone, DSVD, and video conferencing
- Video: TV tuner or video capture card with internal connections to Codec mixer
- AUX/synth: analog FM or wavetable synthesizer, or other internal source

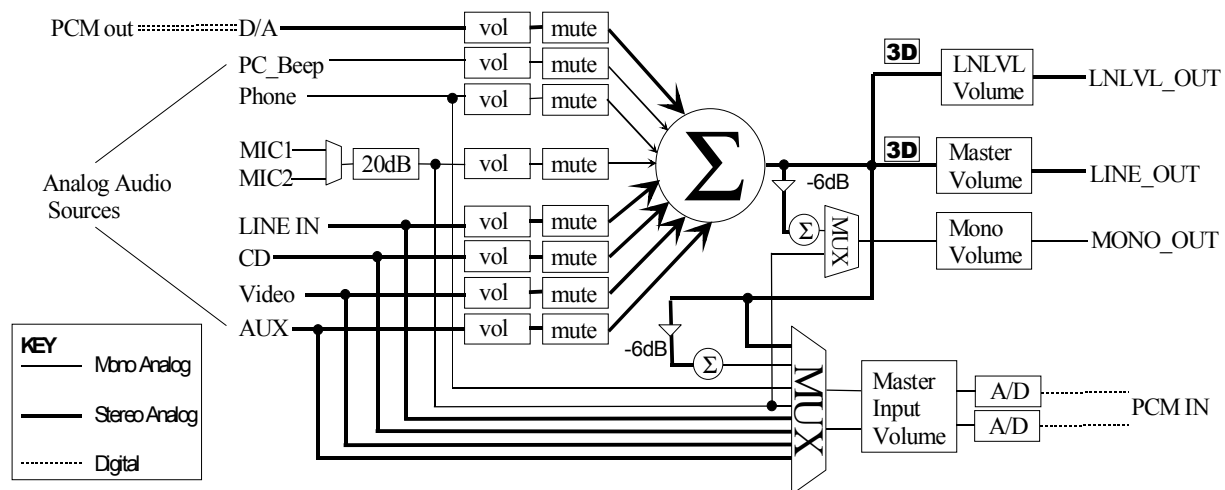


Figure 10. STAC9721/23 Mixer Functional Diagram

Table 6. Mixer Functional Connections

Source	Function	Connection
PC_Beep	PC beep pass thru	from PC beeper output
PHONE	speakerphone or DLP in	from telephony subsystem
MIC1	desktop microphone	from MIC jack
MIC2	second microphone	from second MIC jack
LINE_IN	external audio source	from line-in jack
CD	audio from CD-ROM	cable from CD-ROM
VIDEO	audio from TV tuner or video camera	cable from TV or VidCap card
AUX	upgrade synth or other external source	internal connector
PCM out	digital audio output from AC'97 Controller	AC-Link
LINE_OUT	stereo mix of all sources	To output jack
LNLVL_OUT	Additional stereo mix of all sources	To output jack
MONO_OUT	MIC or mix for speakerphone or DLP out	to telephony subsystem
PCM in	digital audio input to AC'97 Controller	AC-Link

#### 4.1 Mixer Input

The mixer provides recording and playback of any audio sources or output mix of all sources. The STAC9721/23 supports the following input sources:

- any mono or stereo source
- mono or stereo mix of all sources
- 2-channel input w/mono output reference (mic + stereo mix)

\* Note: any unused input pins should be tied together and connected to ground with a capacitor (0.1  $\mu$ F suggested), except the MIC1 and MIC2 inputs which require their own 0.1  $\mu$ F capacitors to ground if not used.

#### 4.2 Mixer Output

The mixer generates two distinct outputs:

- stereo mix of all sources for output to the LINE\_OUT
- stereo mix of all sources for output to the LNLVL\_OUT
- mono, MIC only or mix of all sources for MONO\_OUT

\* Note: Mono output of stereo mix is attenuated by -6 dB to prevent clipping when left and right channels are combined.

#### 4.3 PC Beep Implementation

PC Beep is active on power up and defaults to an un-muted state. The user should mute this input before using any other mixer input because the PC Beep input can contribute noise to the LINE\_OUT during normal operation.

## 4.4 Programming Registers:

Table 7. Programming Registers

REG #	NAME	D15	D14	D13	D12	D11	D10	D9	D8	D7	D6	D5	D4	D3	D2	D1	D0	DE-FAULT
00h	Reset	X	SE4	SE3	SE2	SE1	SE0	ID9	ID8	ID7	ID6	ID5	ID4	ID3	ID2	ID1	ID0	6940h
02h	Master Volume	Mute	X	X	ML4	ML3	ML2	ML1	ML0	X	X	X	MR4	MR3	MR2	MR1	MR0	8000h
04h	LNLVL Volume	Mute	X	X	GL4	GL3	GL2	GL1	GL0	X	X	X	GR4	GR3	GR2	GR1	GR0	8000h
06h	Master Volume Mono	Mute	X	X	X	X	X	X	X	X	X	X	MM4	MM3	MM2	MM1	MM0	8000h
0Ah	PC_BEEP Volume	Mute	X	X	X	X	X	X	X	X	X	X	PV3	PV2	PV1	PV0	X	0000h
0Ch	Phone Volume	Mute	X	X	X	X	X	X	X	X	X	X	GN4	GN3	GN2	GN1	GN0	8008h
0Eh	Mic Volume	Mute	X	X	X	X	X	X	X	X	20dB	X	GN4	GN3	GN2	GN1	GN0	8008h
10h	Line In Volume	Mute	X	X	GL4	GL3	GL2	GL1	GL0	X	X	X	GR4	GR3	GR2	GR1	GR0	8808h
12h	CD Volume	Mute	X	X	GL4	GL3	GL2	GL1	GL0	X	X	X	GR4	GR3	GR2	GR1	GR0	8808h
14h	Video Volume	Mute	X	X	GL4	GL3	GL2	GL1	GL0	X	X	X	GR4	GR3	GR2	GR1	GR0	8808h
16h	AUX Volume	Mute	X	X	GL4	GL3	GL2	GL1	GL0	X	X	X	GR4	GR3	GR2	GR1	GR0	8808h
18h	PCM Out Volume	Mute	X	X	GL4	GL3	GL2	GL1	GL0	X	X	X	GR4	GR3	GR2	GR1	GR0	8808h
1Ah	Record Select	X	X	X	X	X	SL2	SL1	SL0	X	X	X	X	X	SR2	SR1	SR0	0000h
1Ch	Record Gain	Mute	X	X	X	GL3	GL2	GL1	GL0	X	X	X	X	GR3	GR2	GR1	GR0	8000h
20h	General Purpose	X	X	3D	X	X	X	MIX	MS	LPBK	X	X	X	X	X	X	X	0000h
22h	3D Control	X	X	X	X	X	X	X	X	X	X	X	X	DP3	DP2	X	X	0000h
26h	Powerdown Ctrl/Stat	EAPD	PR6	PR5	PR4	PR3	PR2	PR1	PR0	X	X	X	X	REF	ANL	DAC	ADC	000Fh
28h	Extended Audio ID	ID1	ID0	X	X	X	X	AMAP	X	X	X	X	X	X	X	X	X	0200h
6Ch	Revision Code	0	0	0	0	0	0	0	0	0	0	0	0	0	0	0	0	0000h
6Eh	Analog Special	X	X	X	X	X	X	X	X	X	X	X	X	X	X	DAC -6dB	ADC -6dB	0000h
70h	72h Enable	EN15	EN14	EN13	EN12	EN11	EN10	EN9	EN8	EN7	EN6	EN5	EN4	EN3	EN2	EN1	EN0	0000h
72h	Analog Current Adjust	X	X	X	X	X	X	X	X	X	X	X	X	X	Bias1	Bias0	X	0000h
74h	Multi-Channel Selection	X	X	X	X	X	X	X	X	X	X	X	X	X	X	MC1	MC0	0000h
76h	78h Enable	EN15	EN14	EN13	EN12	EN11	EN10	EN9	EN8	EN7	EN6	EN5	EN4	EN3	EN2	EN1	EN0	0000h
78h	Clock Access	X	X	ALT CLK	PWD Cl 2x	CLK INV	X	X	X	X	X	X	X	X	X	OSC PWD	X	0000h
7Ch	Vendor ID1	1	0	0	0	0	0	1	1	1	0	0	0	0	1	0	0	8384h
7Eh	Vendor ID2	0	1	1	1	0	1	1	0	0	0	0	0	1	0	0	1	7609h

## Notes:

1. All registers not shown and bits containing an X are reserved.
2. Any reserved bits, marked X, are not writable, and read back as zeros.
3. PC\_BEEP default to 0000h, un-muted.
4. If optional bits D13, D5 of register 02h or D5 of register 06h are set to 1, then the corresponding attenuation is set to 46dB and the register reads will produce 1Fh as a value for this attenuation/gain block.

#### 4.4.1 Reset Register (Index 00h)

Writing any value to this register performs a register reset, which causes all registers to revert to their default values. This register returns the AC'97 ID code of the part when read.

#### 4.4.2 Play Master Volume Registers (Index 02h, 04h, and 06h)

These registers manage the output signal volumes. Register 02h controls the stereo master volume (both right and left channels), register 04h controls the optional stereo true line level out, and register 06h controls the mono volume output. Each step corresponds to 1.5 dB. The MSB of the register is the mute bit. When this bit is set to 1 the level for that channel is set at  $-\infty$  dB. ML5 through ML0 is for left channel level, MR5 through MR0 is for the right channel and MM5 through MM0 is for the mono out channel. If optional bits D13 and D5 of register 02h and 04h, or D5 of register 06h are set to 1, then the corresponding attenuation is set to 46dB and the register reads will produce 1Fh as a value for this attenuation/gain block

Table 8. Play Master Volume Register

Mute	Mx5...Mx0	Function	Range
0	00 0000	0dB Attenuation	Req.
0	01 1111	46.5 Attenuation	Req.
1	xx xxxx	$\infty$ dB Attenuation	Req.

#### 4.4.3 PC Beep Register (Index 0Ah)

This register controls the level for the PC Beep input. Each step corresponds to approximately 3 dB of attenuation. The MSB of the register is the mute bit. When this bit is set to 1 the level for that channel is set at  $-\infty$  dB. PC\_BEEP supports motherboard implementations. The intention of routing PC\_BEEP through the STAC9721/23 mixer is to eliminate the requirement for an onboard speaker by guaranteeing a connection to speakers connected via the output jack. In order for this to be viable the PC\_BEEP signal needs to reach the output jack at all times. NOTE: the PC\_BEEP is routed to L & R Line outputs even when the STAC9721/23 is in a RESET state. This is so that Power On Self Test (POST) codes can be heard by the user in case of a hardware problem with the PC. For further PC\_BEEP implementation details please refer to the AC'97 Technical FAQ sheet. The default value of 0000h corresponds to 0 dB attenuation with mute off.

Table 9. PC\_BEEP Register

Mute	PV3...PV0	Function
0	0000	0 dB Attenuation
0	1111	45 dB Attenuation
1	xxxx	$\infty$ dB Attenuation

#### 4.4.4 Analog Mixer Input Gain Registers (Index 0Ch - 18h)

These registers control the gain/attenuation for each of the analog inputs. Each step corresponds to approximately 1.5 dB. The MSB of the register is the mute bit. When this bit is set to 1 the level for that channel is set at  $-\infty$  dB. Register 0Eh (Mic Volume Register) has an extra bit that is for a 20dB boost. When bit D6 is set to 1, the +20 dB boost is on. The default value is 8008, which corresponds to 0 dB gain, boost off, and mute on. The default value for the mono registers is 8008h, which is to 0dB gain with mute on. The default value for stereo registers is 8808h, which is 0 dB gain with mute on.

**Table 10. Analog Mixer Input Gain Register**

Mute	Gx4...Gx0	Function
0	00000	+12 dB gain
0	01000	0 dB gain
0	11111	-34.5 dB gain
1	xxxxx	$-\infty$ dB gain

#### 4.4.5 Record Select Control Register (Index 1Ah)

Used to select the record source independently for right and left. The default value is 0000h, which corresponds to MIC in.

**Table 11. Record Select Control Registers**

SR2...SR0	Right Record Source
0	MIC
1	CD In (right)
2	Video In (right)
3	Aux In (right)
4	Line In (right)
5	Stereo Mix (right)
6	Mono Mix
7	Phone

**Table 12. Left Record Select Control Registers**

SL2...SL0	Left Record Source
0	MIC
1	CD In (L)
2	Video In (L)
3	Aux In (L)
4	Line In (L)
5	Stereo Mix (L)
6	Mono Mix
7	Phone

#### 4.4.6 Record Gain Registers (Index 1Ch)

The 1Ch register adjusts the stereo input record gain. Each step corresponds to 1.5 dB. The 22.5 dB setting corresponds to 0F0Fh. The MSB of the register is the mute bit. When this bit is set to 1, the level for that channel(s) is set at  $-\infty$  dB. The default value is 8000h, which is to 0 dB gain with mute on.

**Table 13. Record Gain Registers**

Mute	Gx3... Gx0	Function
0	1111	+22.5 dB gain
0	0000	0 dB gain
1	xxxx	$-\infty$ gain

#### 4.4.7 General Purpose Register (Index 20h)

This register is used to control some miscellaneous functions. Below is a summary of each bit and its function. The MS bit controls the MIC1/MIC2 selector, and the MIX bit controls the Mix/MIC selector. The LPBK bit enables loopback of the ADC output to the DAC input without involving the AC-Link, allowing for full system performance measurements. The 3D bit enables or disables the SS3D speaker separation 3D enhancement.

**Table 14. General Purpose Register**

Bit	Function
3D	3D Stereo Enhancement 0 = off, 1 = on
MIX	Mono output select 0 = Mix, 1 = MIC
MS	Mic select 0 = MIC1, 1 = MIC2
LPBK	ADC/DAC loopback mode



#### 4.4.7 3D Control Register (Index 22h)

This register is used to control the 3D stereo enhancement function, *SigmaTel Surround 3D (SS3D)*, built into the codec. *SS3D* provides for a wider soundstage and speaker separation for 2-speaker arrangements. Register bits, DP3-DP2 are used to control the separation ratios in the 3D control for LINE\_OUT. The 3D bit in the general purpose register (register 20h bit D13) must be set to 1 to enable SS3D functionality and for the bits in 22h to take effect.

Table 15. 3D Control Registers

DP3..DP0	LINE_OUT Separation Ratio
00XX	0 (Off)
01XX	3 (Low)
10XX	4.5 (Med.)
11XX	6.0 (High)

The three separation ratios are implemented as shown above. The separation ratio defines a series of equations that determine the amount of depth difference (High, Medium, and Low) perceived during two-channel playback. The ratios provide an indication of how much soundstage increase can be expected.

#### 4.4.8 Powerdown Control/Status Register (Index 26h)

This read/write register is used to program powerdown states and monitor subsystem readiness. The lower half of this register is read only status, a “1” indicating that the subsection is “ready”. *Ready* is defined as the subsection’s ability to perform in its nominal state. When this register is written, bits D7:D0 will not be affected. Bit D15 controls the External Amplifier Power Down pin.

When the AC-Link “Codec Ready” indicator bit (SDATA\_IN slot 0, bit 15) is a 1, it indicates that the AC-Link and AC'97 control and status registers are in a fully operational state. The AC'97 controller must further probe this Powerdown Control/Status Register (D3:D0) to determine exactly which subsections, if any are ready.

Table 16. Powerdown Status Registers

BIT	FUNCTION
EAPD	External Amplifier Power Down
REF	Indicates VREF is at nominal level
ANL	Analog mixers, etc. ready
DAC	DAC section ready to playback data
ADC	ADC section ready to playback data

#### 4.4.8.1 External Amplifier Power Down Control

The EAPD bit D15 of the Powerdown Control/Status Register (Index 26h) directly controls the output of the EAPD output, pin 45, and produces a logical “1” when this bit is set to logic high. This function is used to control an external audio amplifier power down. EAPD = 0 places approximately 0V on the output pin, enabling an external audio amplifier. EAPD = 1 places approximately DVDD on the output pin, disabling the external audio amplifier. Audio amplifiers that operate with reverse polarity will likely require an external inverter to maintain software driver compatibility. Extended Audio ID Register (Index 28)

#### 4.4.9 Extended Audio Register (Index 28h)

The Extended Audio ID register is a read only register. ID1 and ID0 echo the configuration of the codec as defined by the programming of pins 45 and 46 externally. “00” returned defines the codec as the primary codec, while any other code identifies the codec as one of three secondary codec possibilities. The AMAP bit, D9, will return a 1 indicating that the codec supports the optional “AC’97 2.1 compliant AC-link slot to audio DAC mappings”. The default condition assumes that 0, 0 are loaded in the MC1 and MC0 bits of the Multi-Channel Programming Register (Index 74h). With 0s in the MCx bits, the codec slot assignments are as per the AC’97 specification recommendations. If the MCx bits do not contain 0s, the slot assignments are as per the table in the section describing the Multi-Channel Programming Register (Index 74h).

**Table 17. Extended Audio ID Register Functions**

BIT	FUNCTION
IDx	External CID pin status
AMAP	Multi-channel slot support

#### 4.4.10 Revision (Index 6Ch)

The device Revision register (index 6Ch) contains a software readable revision-specific code used to identify performance, architectural, or software differences between various device revisions. Bits 7:0 of the Revision register are user readable; bits 15:8 are not used at this time and will return zeros when read. The lower order bits of the Revision Register (bits 7:0) are currently set to 00h, and will likely change if there are any STAC9721/23 metal revisions.

#### 4.4.11 Analog Special Register (Index 6Eh)

The Analog Special Register has two read/write bits used to control two functions specific to the STAC9721/23. DAC –6dB is used to program the DAC outputs to a –6dB signal level relative to the value of gain already programmed. Similarly, ADC –6dB attenuates any signal input to the ADC by 6dB.

#### 4.4.12 Analog Current Adjust (Index 70h and 72h)

The Analog Current Adjust register (index 72h) is a locked register and can only be properly written and read from when ABBAh has been written into register 70h. The BIASx bits allow the analog current to be adjusted with minimal reduction in performance. The -50% analog current setting is not recommended when a 5V analog supply is used. The -50% setting for 3.3V supplies is recommended to reduce power consumption for notebook computers to its lowest level.

**Table 18: Analog Current Adjust**

BIAS1	BIAS0	Analog Current
0	0	Normal Current
0	1	-50% Analog Current
1	0	-25% Analog Current
1	1	+25% Analog Current

#### 4.4.13 Multi-Channel Programming Register (Index 74h)

This read/write register is used to program the various options for multi-channel configurations. Only the two LSBs are used (MC0 and MC1), and they define which AC-Link slot data is supplied to the two PCM output channels on the **STAC9721/23**. The purpose of using slot 10 and 11 in the final configuration is to allow for the possibility of an eight-channel architecture using several STAC9721/23 or STAC9708 devices in the multi-codec configuration. Also see “Multiple Codec Support” discussion for information on the use of external pins CID1 and CID0.

Table 19. Multi-Channel Programming Register

External Pins CID1, CID0	Extended Audio ID 28h ID1, ID0	Codec Designation	Multi-Channel Selection 74h MC1, MC0	PCM OUT Left	PCM OUT Right
CID1 = DVdd or floating, CID0 = DVdd or floating	0, 0	Primary, 00	0, 0	Slot 3	Slot 4
			0, 1	Slot 7	Slot 8
			1, 0	Slot 6	Slot 9
			1, 1	Slot 10	Slot 11
CID1 = DVdd or floating, CID0 = GND	0, 1	Secondary, 01	0, 0	Slot 3	Slot 4
			0, 1	Slot 7	Slot 8
			1, 0	Slot 6	Slot 9
			1, 1	Slot 10	Slot 11
CID1 = GND, CID0 = DVdd or floating	1, 0	Secondary, 10	0, 0	Slot 7	Slot 8
			0, 1	Slot 3	Slot 4
			1, 0	Slot 10	Slot 11
			1, 1	Slot 6	Slot 9
CID1 = GND, CID0 = GND	1, 1	Secondary, 11	0, 0	Slot 6	Slot 9
			0, 1	Slot 10	Slot 11
			1, 0	Slot 3	Slot 4
			1, 1	Slot 7	Slot 8

#### 4.4.14 Clock Access (Index 76h and 78h)

The Clock Access register (index 78h) is a locked register and can only be properly written and read from when ABBAh has been written into register 76h. The **STAC9744/45** can operate as a remotely located secondary without a 24.576MHz master clock input or local crystal. The **STAC9744/45** can synchronize to the BIT\_CLK after a register adjustments. The first adjustment starts the synchronization process by enabling the ALTCLK D13, PWD CL2x D12, CLK INV D11, and OSC PWD D1 bits of register 78h. With this adjustment, the **STAC9744/45** will operate remotely without the 24.576 MHz master clock signal and without a local crystal. The XTAL\_IN input should be connected to DGND with a 10k $\Omega$  or larger resistor. The reserved bits of register 78h should not be written to.

#### 4.4.15 Vendor ID1 and ID2 (Index 7Ch and 7Eh)

These two registers contain four 8-bit ID codes. The first three codes have been assigned by Microsoft using their Plug and Play Vendor ID methodology. The fourth code is a *SigmaTel, Inc.* assigned code identifying the **STAC9721/23**. The ID1 register (index 7Ch) contains the value 8384h, which is the first (83h) and second (84h) characters of the Microsoft<sup>®</sup> ID code. The ID2 register (index 7Eh) contains the value 7609h, which is the third (76h) of the Microsoft<sup>®</sup> ID code, and 09h which is the **STAC9721/23** ID code.

NOTE: The lower half of the Vendor ID2 register (index 7Eh) currently contains the value 09h identifying the **STAC9721/23**. This value can be used by the audio driver, or miniport driver in the case of WIN98<sup>®</sup>, to adjust software functionality to match the feature-set of the **STAC9721/23**. This portion of the register will likely contain different

values if the software profile of the **STAC9721/23** changes, as in the case of silicon level device modifications. This will allow the software driver to identify any required operational differences between the existing **STAC9721/23** and any future versions.

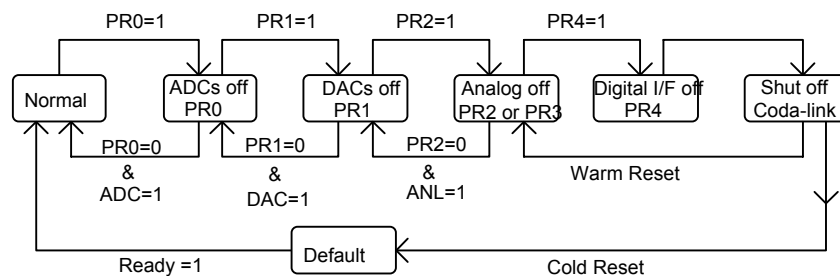
## 5. Low Power Modes

The **STAC9721/23** is capable of operating at reduced power when no activity is required. The state of power down is controlled by the Powerdown Register (26h). There are 7 commands of separate power down. The power down options are listed in Table 18. The first three bits, PR0..PR2, can be used individually or in combination with each other, and control power distribution to the ADC's, DAC's and Mixer. The last analog power control bit, PR3, affects analog bias and reference voltages, and can only be used in combination with PR1, PR2, and PR3. PR3 essentially removes power from all analog sections of the codec, and is generally only asserted when the codec will not be needed for long periods. PR0 and PR1 control the PCM ADC's and DAC's only. PR2 and PR3 do not need to be "set" before a PR4, but PR0 and PR1 must be "set" before PR4.

**Table 20. Low Power Modes**

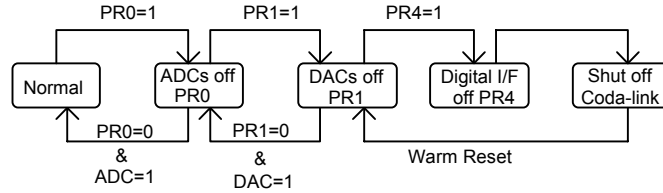
GRP Bits	Function
PR0	PCM in ADC's & Input Mux Powerdown
PR1	PCM out DACs Powerdown
PR2	Analog Mixer powerdown (Vref still on)
PR3	Analog Mixer powerdown (Vref off)
PR4	Digital Interface (AC-Link) powerdown (extnl clk off)
PR5	Internal Clk disable
PR6	LNLVL_OUT disable

**Figure 11. Example of STAC9721/23 Powerdown/Powerup flow**



The above figure illustrates one example procedure to do a complete powerdown of **STAC9721/23**. From normal operation, sequential writes to the Powerdown Register are performed to power down **STAC9721/23** a piece at a time. After everything has been shut off, a final write (of PR4) can be executed to shut down the AC-Link. The part will remain in sleep mode with all its registers holding their static values. To wake up, the AC'97 controller will send an extended pulse on the sync line, issuing a warm reset. This will restart the AC-Link (resetting PR4 to zero). The **STAC9721/23** can also be woken up with a cold reset. A cold reset will reset all of the registers to their default states. When a section is powered back on, the Powerdown Control/Status register (index 26h) should be read to verify that the section is ready (stable) before attempting any operation that requires it.

Figure 12. STAC9721/23 Powerdown/Powerup flow with analog still alive



The above figure illustrates a state when all the mixers should work with the static volume settings that are contained in their associated registers. This configuration can be used when playing a CD (or external LINE\_IN source) through **STAC9721/23** to the speakers, while most of the system in low power mode. The procedure for this follows the previous except that the analog mixer is never shut down.

## 6. MULTIPLE CODEC SUPPORT

The **STAC9721/23** provides support for the multi-codec option according to the Intel AC'97, rev 2.1 specification. By definition there can be only one Primary Codec (Codec ID 00) and up to three Secondary Codecs (Codec IDs 01,10, and 11). The Codec ID functions as a chip select. Secondary devices therefore have completely orthogonal register sets; each is individually accessible and they do not share registers.

### 6.1 Primary/Secondary Codec Selection

In a multi-codec environment the codec ID is provided by external programming of pins 45 and 46 (CID0 and CID1). The CID pin electrical function is logically inverted from the codec ID designation. The corresponding pin state and its associated codec ID are listed in the "Codec ID Selection" table. Also see slot assignment discussion, "Multi-Channel Programming Register (Index 74)".

**Table 21. Codec ID Selection**

CID1 State	CID0 State	Codec ID	Codec Status	EXTENDED AUDIO ID, 28h ID1, ID0
+5V or floating	+5V or floating	00	Primary	0, 0
+5V or floating	0V	01	Secondary	0, 1
0V	+5V or floating	10	Secondary	1, 0
0V	0V	11	Secondary	1, 1

#### 6.1.1 Primary Codec Operation

As a Primary device the **STAC9721/23** is completely compatible with existing AC'97 definitions and extensions. Primary Codec registers are accessed exactly as defined in the AC'97 Component Specification and AC'97 Extensions. The **STAC9721/23** operates as Primary by default, and the external ID pins (47 and 48) have internal pull-ups so that these pins may be left as no-connects for primary operation.

When used as the Primary Codec, the **STAC9721/23** generates the master AC-Link BIT\_CLK for both the AC'97 Digital Controller and any Secondary Codecs. The **STAC9721/23** can support up to 4, 10 K $\Omega$  50 pF loads on the BIT\_CLK. This is to insure that up to 4 Codec implementations will not load down the clock output.

#### 6.1.2 Secondary Codec Operation

When the **STAC9721/23** is configured as a Secondary device the BIT\_CLK pin is configured as an input at power up. Using the BIT\_CLK provided by the Primary Codec insures that everything on the AC-Link will be synchronous. As a Secondary device it can be defined as Codec ID 01, 10, or 11 in the two-bit field(s) of the Extended Audio and/or Extended Modem ID Register(s).

## 6.2 Secondary Codec Register Access Definitions

The AC'97 Digital Controller can independently access Primary and Secondary Codec registers by using a 2-bit Codec ID field (chip select) which is defined as the LSBs of Output Slot 0. For Secondary Codec access, the AC'97 Digital Controller must *invalidate* the tag bits for Slot 1 and 2 Command Address and Data (Slot 0, bits 14 and 13) and place a *non-zero* value (01, 10, or 11) into the Codec ID field (Slot 0, bits 1 and 0).

As a Secondary Codec, the **STAC9721/23** will disregard the Command Address and Command Data (Slot 0, bits 14 and 13) tag bits when it sees a 2-bit Codec ID value (Slot 0, bits 1 and 0) that matches its configuration. In a sense the Secondary Codec ID field functions as an alternative Valid Command Address (for Secondary reads and writes) and Command Data (for Secondary writes) tag indicator.

Secondary Codecs must monitor the Frame Valid bit, and ignore the frame (regardless of the state of the Secondary Codec ID bits) if it is not valid. AC'97 Digital Controllers should set the frame valid bit for a frame with a secondary register access, even if no other bits in the output tag slot except the Secondary Codec ID bits are set.

This method is designed to be backward compatible with existing AC'97 controllers and Codecs. There is no change to output Slot 1 or 2 definitions.

**Table 22. Secondary Codec Register Access Slot 0 Bit Definitions**

Output Tag Slot (16-bits)	
Bit	Description
15	Frame Valid
14	Slot 1 Valid Command Address bit (†Primary Codec only)
13	Slot 2 Valid Command Data bit (†Primary Codec only)
12-3	Slot 3-12 Valid bits as defined by AC'97
2	Reserved (Set to "0")
†1-0	2-bit Codec ID field (00 reserved for Primary; 01, 10, 11 indicate Secondary)
† New definitions for Secondary Codec Register Access	

## 7. TESTABILITY

The **STAC9721/23** has two test modes. One is for ATE in-circuit test and the other is restricted for *SigmaTel's* internal use. **STAC9721/23** enters the ATE in circuit test mode if SDATA\_OUT is sampled high at the trailing edge of RESET#. Once in the ATE test mode, the digital AC-Link outputs (BIT\_CLK and SDATA\_IN) are driven to a high impedance state. This allows ATE in-circuit testing of the AC'97 controller. This case will never occur during standard operating conditions. Once either of the two test modes have been entered, the **STAC9704/7** must be issued another rest with all AC-link signals held low to return to the normal operating mode.



## 8. EXTENDED CODEC FUNCTIONALITY

### 8.1 Anti-Pop Circuitry

The STAC9721/23 provides an integrated output signal (APOP on pin 34) to aid in low-component-count anti-pop implementations. An audible speaker "pop" can occur when the main power is applied to, or removed from, the codec or audio output amplifier. In ac coupled systems, the speaker sided of the ac coupling capacitor is shunted to ground through a transistor or FET; this prevents audible pops when the system is powering on and off. A 10  $\mu$ F capacitor on CAP1 provides a delay to hold-off power to the output stages on power up. A 22  $\mu$ F capacitor provides reserve power to sustain the output shunting action until the power has been fully removed on power down. APOP is active logic high during shunting operations; APOP is at logic low during normal operations.

## 9. AC TIMING CHARACTERISTICS ( $T_{\text{ambient}} = 25\text{ }^{\circ}\text{C}$ , $AV_{\text{dd}} = DV_{\text{dd}} = 5.0\text{V}$ or $3.3\text{V} \pm 5\%$ , $AV_{\text{ss}}=DV_{\text{ss}}+0\text{V}$ ; 50pF external load)

### 9.1 Cold Reset

Figure 13. Cold Reset

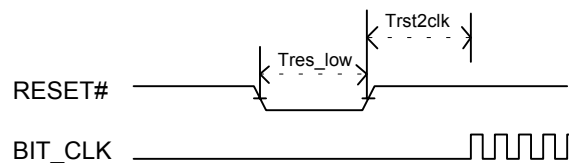


Table 23. Cold Reset

Parameter	Symbol	Min	Typ	Max	Units
RESET# active low pulse width	$T_{\text{res\_low}}$	1.0	-	-	us
RESET# inactive to BIT_CLK startup delay	$T_{\text{rst2clk}}$	162.8	-	-	ns

# denotes active low.

## 9.2 Warm Reset

Figure 14. Warm Reset

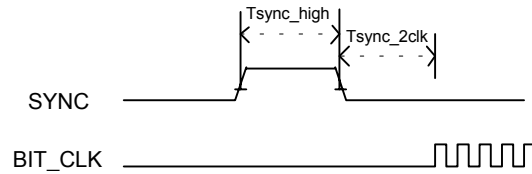


Table 24. Warm Reset

Parameter	Symbol	Min	Typ	Max	Units
SYNC active high pulse width	$T_{sync\_high}$	1.0	1.3	-	us
SYNC inactive to BIT_CLK startup delay	$T_{sync2clk}$	162.8	-	-	ns

## 9.3 Clocks

Figure 15. Clocks

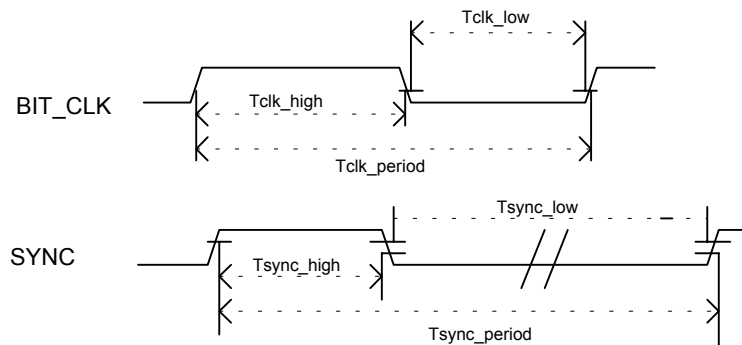


Table 25. Clocks

Parameter	Symbol	Min	Typ	Max	Units
BIT_CLK frequency		-	12.288	-	MHz
BIT_CLK period	$T_{clk\_period}$	-	81.4	-	ns
BIT_CLK output jitter		-	-	750	ps
BLT_CLK high pulsewidth (note 1)	$T_{clk\_high}$	36	40.7	45	ns
BIT_CLK low pulse width (note 1)	$T_{clk\_low}$	36	40.7	45	ns
SYNC frequency		-	48.0	-	kHz
SYNC period	$T_{sync\_period}$	-	20.8	-	us
SYNC high pulse width	$T_{sync\_high}$	-	1.3	-	us
SYNC low_pulse width	$T_{sync\_low}$	-	19.5	-	us

Notes: 1) Worst case duty cycle restricted to 40/60.

### 9.4 Data Setup and Hold (50pF external load)

Figure 16. Data Setup and Hold

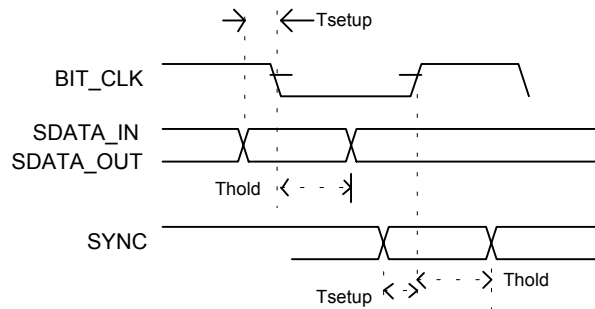


Table 26. Data Setup and Hold

Parameter	Symbol	Min	Typ	Max	Units
Setup to falling edge of BIT_CLK	Tsetup	10	-	-	ns
Hold from falling edge of BIT_CLK	Thold	10	-	-	ns

Note 1: Setup and hold time parameters for SDATA\_IN are with respect to the AC'97 controller.

### 9.5 Signal Rise and Fall Times - (50pF external load; from 10% to 90% of Vdd)

Figure 17. Signal Rise and Fall Times

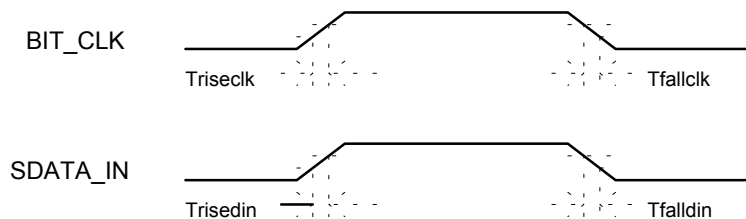
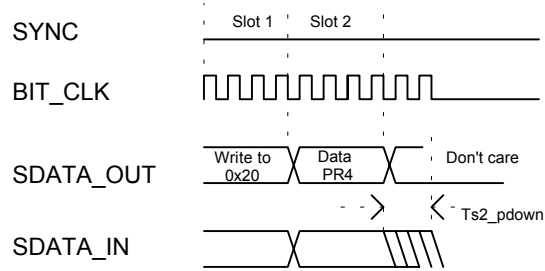


Table 27. Signal Rise and Fall Times

Parameter	Symbol	Min	Typ	Max	Units
BIT_CLK rise time	Triseclk	2	-	6	ns
BIT_CLK fall time	Tfallclk	2	-	6	ns
SDATA_IN rise time	Trisedin	2	-	6	ns
SDATA_IN fall time	Tfalldin	2	-	6	ns

9.6 AC-Link Low Power Mode Timing

Figure 18. AC-Link Low Power Mode Timing



Note: BIT\_CLK not to scale

Table 28. AC-Link Low Power Mode Timing

Parameter	Symbol	Min	Typ	Max	Units
End of Slot 2 to BIT_CLK, SDATA_IN low	$T_{s2\_pdown}$	-	-	1.0	us

## 9.7 ATE Test Mode

Figure 19. ATE Test Mode

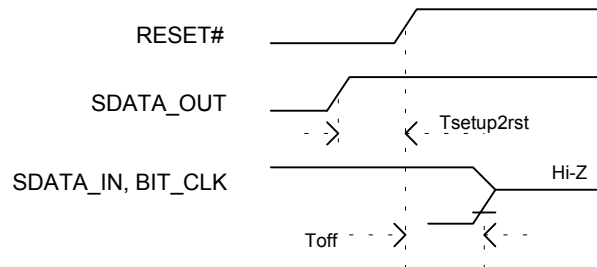


Table 29. ATE Test Mode

Parameter	Symbol	Min	Typ	Max	Units
Setup to trailing edge of RESET# (also applies to SYNC)	ToffTsetup2rst	15.0	-	-	ns
Setup to trailing edge of RESET# (also applies to SYNC)	Tsetup2rst	15.0	-	-	ns
Rising edge of RESET# to Hi-Z delay	Toff	-	-	25.0	ns

## Notes:

1. All AC-Link signals are normally low through the trailing edge of RESET#. Bringing SDATA\_OUT high for the trailing edge of RESET# causes STAC9721/23's AC-Link outputs to go high impedance which is suitable for ATE in circuit testing.
2. Once either of the two test modes have been entered, the STAC9721/23 must be issued another RESET# with all AC-Link signals low to return to the normal operating mode.

# denotes active low.

**10. ELECTRICAL SPECIFICATIONS:****10.1 Absolute Maximum Ratings:**

Voltage on any pin relative to Ground	V <sub>ss</sub> - 0.3V TO V <sub>dd</sub> + 0.3V
Operating Temperature	0 °C TO 70 °C
Storage Temperature	-55 °C TO +125 °C
Soldering Temperature	260 °C FOR 10 SECONDS
Output Current per Pin	± 4 mA except V <sub>refout</sub> = ± 5mA

**10.2 Recommended Operating Conditions****Table 30. Operating Conditions**

PARAMETER	MIN	TYP	MAX	UNITS	
Power Supplies	+ 3.3V Digital	3.135	3.3	3.465	V
	+ 5V Digital	4.75	5	5.25	V
	+ 5V Analog	4.75	5	5.25	V
	+ 3.3V Analog	3.135	3.3	3.465	V
Ambient Temperature	0	-	70	°C	

SigmaTel reserves the right to change specifications without notice.

## 10.3 Power Consumption

Table 31: Power Consumption at Default Analog Current

PARAMETER	MIN	TYP	MAX	UNITS
Digital Supply Current				
+ 5V Digital: DAC and ADC Active		30		mA
+ 3.3V Digital: DAC and ADC Active		20		mA
+ 3.3V Digital: DAC and ADC Muted		7		mA
Analog Supply Current				
+ 5V Analog: PC_BEEP Muted		38		mA
+ 3.3V Analog: PC_BEEP Muted		34		mA
Power Down Status				
PR0 +5V Analog Supply Current		28		mA
PR1 +5V Analog Supply Current		37		mA
PR2 +5V Analog Supply Current		28		mA
PR3 +5V Analog Supply Current		1.1		mA
PR0,1,2,3 +5V Analog Supply Current		0.6		mA
PR4 +3.3V Digital Supply Current		0.1		mA
PR4 +5V Digital Supply Current		0.1		mA
PR5 No Effect				

Table 32: Power Consumption at 3.3V Analog, Low Current Mode\*

PARAMETER	MIN	TYP	MAX	UNITS
Digital Supply Current				
+ 3.3V Digital with DAC and ADC Active		20		mA
Analog Supply Current				
+ 3.3V Analog with DAC and ADC Muted		19		mA
Power Down Status				
PR0 +3.3V Analog Supply Current		15		mA
PR1 +3.3V Analog Supply Current		19		mA
PR2 +3.3V Analog Supply Current		15		mA
PR3 +3.3V Analog Supply Current		0.4		mA
PR0,1,2,3 +3.3V Analog Supply Current		0.4		mA
PR4 +3.3V Digital Supply Current		0.1		mA
PR5 No Effect				

\* -50% Analog Current Setting (Recommended for 3.3V Analog only): Register 70h=ABBAh, 72h=0002h

Table 33: Reduced Analog Power Settings Typical Supply Current

Condition	3.3V Analog	5V Analog
<b>Default Analog Current</b>		
Reset	30	40
All Un-Muted	65	82
ADC, LINE Thru, PC_BEEP active	36	60
DAC, LINE Thru, PC_BEEP active	51	57
All but DAC and ADC	41	47
<b>-25% Analog Current</b>		
Reset	24	32
All Un-Muted	52	67
ADC, LINE Thru, PC_BEEP active	29	50
DAC, LINE Thru, PC_BEEP active	41	46
All but DAC and ADC	33	37
<b>-50% Analog Current</b>		
Reset	17	This Setting Not Recommended
All Un-Muted	38	
ADC, LINE Thru, PC_BEEP active	21	
DAC, LINE Thru, PC_BEEP active	30	
All but DAC and ADC	24	
<b>+25% Analog Current</b>		
Reset	35	46
All Un-Muted	75	94
ADC, LINE Thru, PC_BEEP active	43	69
DAC, LINE Thru, PC_BEEP active	54	67
All but DAC and ADC	48	55



#### 10.4 AC-Link Static Digital Specifications $(T_{\text{ambient}} = 25\text{ }^{\circ}\text{C}, DV_{\text{dd}} = 5.0\text{V or } 3.3\text{V} \pm 5\%, AV_{\text{ss}}=DV_{\text{ss}}=0\text{V}; 50\text{pF external load})$

Table 34. AC-Link Static Specifications

PARAMETER	SYMBOL	MIN	TYP	MAX	UNITS
Input Voltage Range	$V_{\text{in}}$	-0.30		$DV_{\text{dd}} + 0.30$	V
Low level input range	$V_{\text{il}}$	-	-	$0.35 \times DV_{\text{dd}}$	V
High level input voltage	$V_{\text{ih}}$	$0.65 \times DV_{\text{dd}}$	-	-	V
High level output voltage	$V_{\text{oh}}$	$0.90 \times DV_{\text{dd}}$	-	-	V
Low level output voltage	$V_{\text{ol}}$	-	-	$0.1 \times DV_{\text{dd}}$	V
Input Leakage Current (AC-Link inputs)	-	-10	-	10	$\mu\text{A}$
Output Leakage Current (Hi-Z'd AC-Link outputs)	-	-10	-	10	$\mu\text{A}$
Output buffer drive current	-	-	5		mA

#### 10.5 STAC9721 Analog Performance Characteristics $(T_{\text{ambient}} = 25\text{ }^{\circ}\text{C}, AV_{\text{dd}} = 5.0\text{V} \pm 5\%, DV_{\text{dd}} = 3.3\text{V} \pm 5\%, AV_{\text{ss}}=DV_{\text{ss}}=0\text{V}; 1\text{ kHz input sine wave; Sample Frequency} = 48\text{ kHz}; 0\text{ dB} = 1\text{ V}_{\text{rms}}, 10\text{K}\Omega/50\text{pF load, Testbench Characterization BW: } 20\text{ Hz} - 20\text{ kHz}, 0\text{ dB settings on all gain stages})$

Table 35. Analog Performance Characteristics

PARAMETER	MIN	TYP	MAX	UNITS
Full Scale Input Voltage:				
Line Inputs	-	1.0	-	$\text{V}_{\text{rms}}$
Mic Inputs <sup>1</sup>	-	0.1	-	
Full Scale Output Voltage:				
Line Output 5V	-	1.0	-	$\text{V}_{\text{rms}}$
Analog S/N:				
CD to LINE_OUT 5V	90	98	-	dB
Other to LINE_OUT 5V	-	98	-	
Analog Frequency Response <sup>2</sup>	20	-	20,000	Hz
Digital S/N <sup>3</sup>				
D/A 5V	85	96	-	dB
A/D 5V	75	87	-	
Digital S/N <sup>3</sup>				
D/A 5V	85	96	-	dB
A/D 5V	75	86	-	
Total Harmonic Distortion:				
Line Output <sup>4</sup>	-	-	0.02	%
D/A & A/D Frequency Response <sup>5</sup>	20	-	19,200	Hz
Transition Band	19,200	-	28,800	Hz
Stop Band	28,800	-	$\infty$	Hz
Stop Band Rejection <sup>6</sup>	+85	-	-	dB

Out-of-Band Rejection <sup>7</sup>	-	+40	-	dB
Group Delay	-	-	1	ms
Power Supply Rejection Ratio (1kHz)	-	+40	-	dB
Crosstalk between Input channels	-	-	-70	dB
Spurious Tone Rejection	-	+100	-	dB
Attenuation, Gain Step Size	-	1.5	-	dB
Input Impedance	10	-	-	K $\Omega$
Input Capacitance	-	15	-	pF
Vrefout	-	0.5 x AVdd	-	V
Interchannel Gain Mismatch ADC			0.5	dB
Interchannel Gain Mismatch DAC		-	0.5	dB
Gain Drift		100		ppm/deg. C
DAC Offset Voltage		10	50	mV
Deviation from Linear Phase			1	degree
External Load Impedance	10			K ohm
Mute Attenuation (Vrms input)	90	96		dB

## Notes:

1. With +20 dB Boost on, 1.0Vrms with Boost off
2.  $\pm 1$  dB limits
3. The ratio of the rms output level with 1 kHz full scale input to the rms output level with all zeros into the digital input. Measured "A weighted" over a 20 Hz to a 20 kHz bandwidth. (AES17-1991 Idle Channel Noise or EIAJ CP-307 Signal-to-noise Ratio).
4. 0 dB gain, 20 kHz BW, 48 kHz Sample Frequency
5.  $\pm 0.25$ dB limits
6. Stop Band rejection determines filter requirements. Out-of-Band rejection determines audible noise.
7. The integrated Out-of-Band noise generated by the DAC process, during normal PCM audio playback, over a bandwidth 28.8 to 100 kHz, with respect to a 1 Vrms DAC output.

**10.6 STAC9723 Analog Performance Characteristics** ( $T_{\text{ambient}} = 25\text{ }^{\circ}\text{C}$ ,  $AV_{\text{dd}} = DV_{\text{dd}} = 3.3\text{V} \pm 5\%$ ,  $AV_{\text{ss}}=DV_{\text{ss}}=0\text{V}$ ; 1 kHz input sine wave; Sample Frequency = 48 kHz; 0 dB = 1 Vrms, 10K $\Omega$ /50pF load, Testbench Characterization BW: 20 Hz – 20 kHz, 0 dB settings on all gain stages)

**Table 36. Analog Performance Characteristics**

PARAMETER	MIN	TYP	MAX	UNITS
Full Scale Output Voltage: Line Inputs to line output 3.3V	-	0.65	-	Vrms
Line Inputs to LINE_OUT 3.3V @ Line In = 1 Vrms and @ Gain setting of 4.5-6 dB		0.65		Vrms
Line Inputs to LINE_OUT 3.3V @ Line In = 0.6 5 Vrms and @ gain setting of 0dB		0.65		Vrms
PCM to LINE_OUT 3.3V @ full scale PCM input @PCM gain setting of 0dB		0.555		Vrms
PCM to Line Output 3.3V MIC Inputs to LINE_OUT 3.3V @ MIC In = 1 Vrms and @ gain setting of 0dB		0.5		Vrms
Full Scale Output Voltage: Line Inputs to line output 3.3V	-	0.5	-	Vrms
Line Inputs to LINE_OUT 3.3V @ Line In = 1 Vrms and @ Gain setting of -6 dB		0.5		Vrms
Line Inputs to LINE_OUT 3.3V @ Line In = 0.5 Vrms and @ gain setting of 0dB		0.5		Vrms
PCM to LINE_OUT 3.3V @ full scale PCM input @PCM gain setting of 0dB		0.5		Vrms
PCM to Line Output 3.3V MIC Inputs to LINE_OUT 3.3V @ MIC In = 1 Vrms and @ gain setting of 0dB		0.5		Vrms
Analog S/N: CD to LINE_OUT 3.3V	-	90	-	
Other to LINE_OUT 3.3V		90		
Analog Frequency Response <sup>2</sup>	20	-	20,000	Hz
Digital S/N <sup>3</sup> D/A 3.3V	85	90	-	
A/D 3.3V	75	85	-	
Total Harmonic Distortion: Line Output <sup>4</sup>	-	-	0.02	%
D/A & A/D Frequency Response <sup>5</sup>	20	-	19,200	Hz
Transition Band	19,200	-	28,800	Hz
Stop Band	28,800	-	$\infty$	Hz
Stop Band Rejection <sup>6</sup>	+85	-	-	dB
Out-of-Band Rejection <sup>7</sup>	-	+40	-	dB
Group Delay	-	-	1	ms
Power Supply Rejection Ratio (1kHz)	-	+40	-	dB
Crosstalk between Input channels	-	-	-70	dB
Spurious Tone Rejection	-	+100	-	dB
Attenuation, Gain Step Size	-	1.5	-	dB
Input Impedance	10	-	-	K $\Omega$
Input Capacitance	-	15	-	pF

Vrefout	-	0.5 x AVdd	-	V
Interchannel Gain Mismatch ADC			0.5	dB
Interchannel Gain Mismatch DAC		-	0.5	dB
Gain Drift		100		ppm/ °C
DAC Offset Voltage		10	50	mV
Deviation from Linear Phase			1	degree
External Load Impedance	10			K $\Omega$
Mute Attenuation (0 dB)	90	96		dB

## Notes:

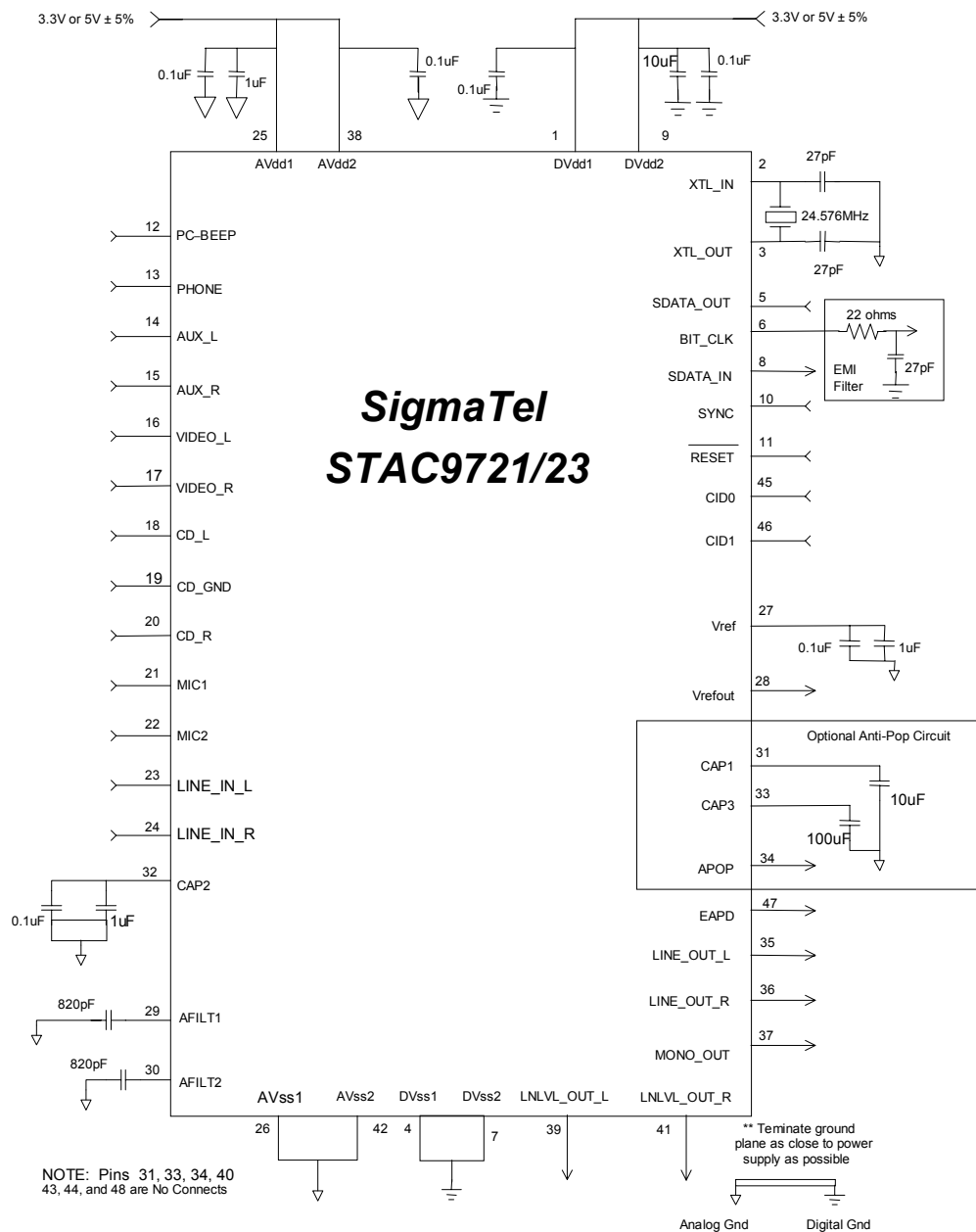
1. With +20 dB Boost on, 1.0Vrms with Boost off
2.  $\pm 1$  dB limits
3. The ratio of the rms output level with 1 kHz full scale input to the rms output level with all zeros into the digital input. Measured "A weighted" over a 20 Hz to a 20 kHz bandwidth. (AES17-1991 Idle Channel Noise or EIAJ CP-307 Signal-to-noise Ratio).
4. 0 dB gain, 20 kHz BW, 48 kHz Sample Frequency
5.  $\pm 0.25$ dB limits
6. Stop Band rejection determines filter requirements. Out-of-Band rejection determines audible noise.
7. The integrated Out-of-Band noise generated by the DAC process, during normal PCM audio playback, over a bandwidth 28.8 to 100 kHz, with respect to a 1 Vrms DAC output.

Appendix A

SPLIT INDEPENDENT POWER SUPPLY OPERATION

In PC applications, one power supply input to the STAC9721/23 may be derived from a supply regulator (as shown in Figure 3) and the other directly from the PCI power supply bus. When power is applied to the PC, the regulated supply input to the IC will be applied some time delay after the PCI power supply. Without proper on-chip partitioning of the analog and digital circuitry, some manufacturer's codecs would be subject to on-chip SCR type latch-up.

SigmaTel's STAC9721/23 specifically allows power-up sequencing delays between the analog (AVddx) and digital (VDddx) supply pins. These two power supplies can power-up independently and at different rates with no adverse effects to the codec. The IC is designed with independent analog and digital circuitry that prevents on-chip SCR type latch-up.



## Appendix B

+5.0V/+3.3V POWER SUPPLY OPERATION NOTES

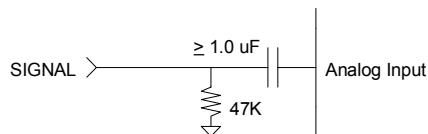
The STAC9721 is capable of operating from a single 5V supply connected to both DVdd and AVdd. Even though the STAC9721 has digital switching levels of  $0.2V_{dd}$  to  $0.5V_{dd}$  (See AC Link Electrical Characteristics in this data book), we recommend that all digital interface signals to the AC-Link be 5V. If digital interface signals below 5V are used, then appropriate level shifting circuitry must be provided to ensure adequate digital noise immunity.

The STAC9721 can also operate from a 3.3V digital supply connected to DVdd while maintaining a 5V analog supply on AVdd. On-chip level shifters ensure accurate logic transfers between the analog and digital portions of the STAC9721. If digital interface signals above 3.3V are used (i.e. a +5V AC-Link interface), then appropriate level shifting circuitry must be provided to ensure adequate digital noise immunity and to prevent on-chip ESD protection diodes from turning on. (See Appendixes A concerning SPLIT INDEPENDENT POWER SUPPLY OPERATION).

The STAC9723 must be run from a 3.3V supply connected to both DVdd and AVdd. If digital interface signals above 3.3V are used (i.e. a +5V AC-Link interface), then appropriate level shifting circuitry must be provided to ensure adequate digital noise immunity and to prevent on-chip ESD protection diodes from turning on.

**\*Always operate the STAC97xx digital supply from the same supply voltage as the digital controller supply.**

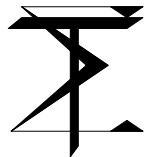
**\*All the analog inputs must be ac-coupled with a capacitor of  $0.1\ \mu\text{F}$  or greater. It is recommended that a resistor of about  $47\text{K}\Omega$  be connected from the signal side of the capacitor to analog GND as shown below.**



**\*All the analog outputs must be ac-coupled. If an external amplifier is used, make sure that the input impedance of the amplifier is at least  $10\text{K}\Omega$  and use an ac-coupling capacitor of  $1.0\ \mu\text{F}$ .**

*- NOTES -*

For more information, please contact:



***SigmaTel, Inc.***

**6101 W. Courtyard Dr., Bldg. 1, Suite 100**

**Austin, Texas 78730**

**Tel (512) 343-6636x29, Fax (512) 343-6199**

email: [sales@sigmatel.com](mailto:sales@sigmatel.com)

<http://www.sigmatel.com>