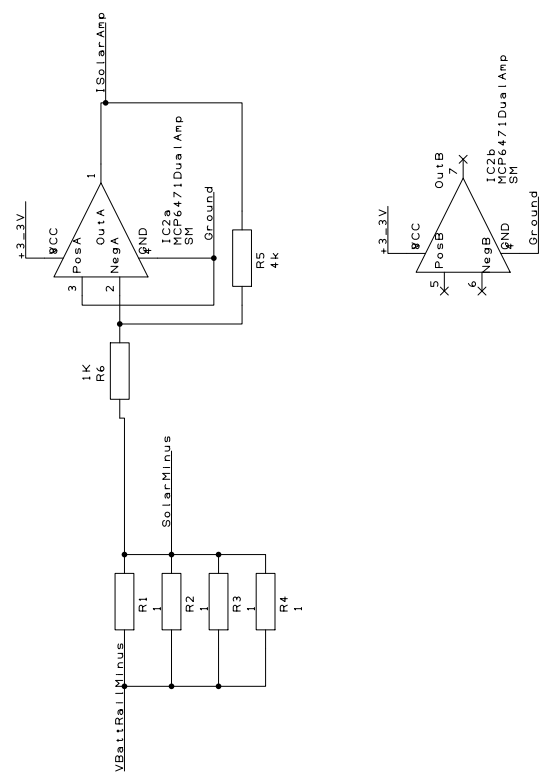


Atmel
ATMEGA168PA-AU
32A-L



PROJECT:		REVISION:	
DRAWING TITLE:			
DRAWN BY:			
SHEET:	OF	STATUS:	
DATE:			DESIGNSPARK PCB available for FREE at www.DesignSpark.com/PCB

