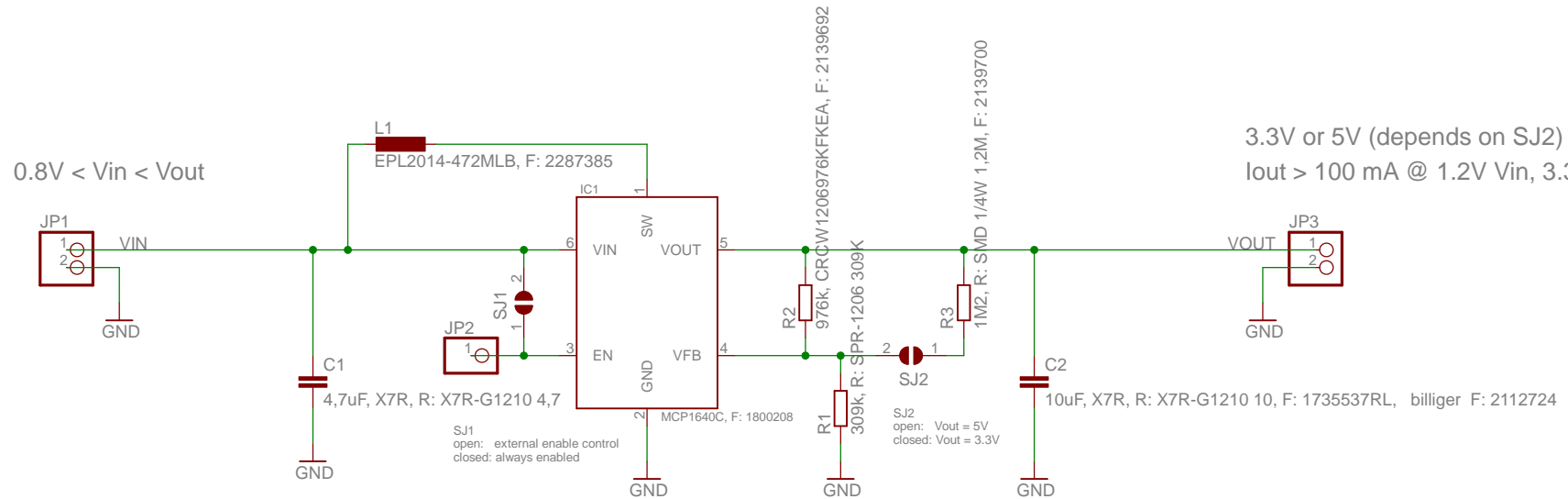


0.8V < Vin < Vout

3.3V or 5V (depends on SJ2)
Iout > 100 mA @ 1.2V Vin, 3.3V Vout



MCP1640C device provides input to output bypass when disabled