

6th
Edition

Low Level Measurements Handbook

Precision DC Current, Voltage, and Resistance Measurements



KEITHLEY

Low Level Measurements Handbook

*Precision DC Current, Voltage,
and Resistance Measurements*

SIXTH EDITION

KEITHLEY

A GREATER MEASURE OF CONFIDENCE

TABLE OF CONTENTS

SECTION 1 Low Level DC Measuring Instruments

1.1	Introduction	1-3
1.2	Theoretical Measurement Limits.....	1-3
1.3	Instrument Definitions.....	1-5
1.3.1	The Electrometer	1-5
1.3.2	The DMM	1-7
1.3.3	The Nanovoltmeter	1-7
1.3.4	The Picoammeter.....	1-8
1.3.5	The Source-Measure Unit	1-8
1.3.6	The SourceMeter® Instrument	1-9
1.3.7	The Low Current Preamp	1-9
1.3.8	The Micro-ohmmeter.....	1-9
1.4	Understanding Instrument Specifications	1-10
1.4.1	Definition of Accuracy Terms	1-10
1.4.2	Accuracy	1-10
1.4.3	Deratings	1-13
1.4.4	Noise and Noise Rejection	1-14
1.4.5	Speed	1-15
1.5	Circuit Design Basics	1-16
1.5.1	Voltmeter Circuits	1-16
1.5.2	Ammeter Circuits.....	1-17
1.5.3	Coulombmeter Circuits.....	1-22
1.5.4	High Resistance Ohmmeter Circuits	1-22
1.5.5	Low Resistance Ohmmeter Circuits	1-25
1.5.6	Complete Instruments.....	1-29

SECTION 2 Measurements from High Resistance Sources

2.1	Introduction	2-2
2.2	Voltage Measurements from High Resistance Sources	2-2
2.2.1	Loading Errors and Guarding	2-2
2.2.2	Insulation Resistance.....	2-11

- 2.3 Low Current Measurements.....2-14**
 - 2.3.1 Leakage Currents and Guarding2-14
 - 2.3.2 Noise and Source Impedance2-19
 - 2.3.3 Zero Drift2-21
 - 2.3.4 Generated Currents.....2-22
 - 2.3.5 Voltage Burden2-28
 - 2.3.6 Overload Protection2-30
 - 2.3.7 AC Interference and Damping2-31
 - 2.3.8 Using a Coulombmeter to Measure Low Current.....2-33

- 2.4 High Resistance Measurements2-36**
 - 2.4.1 Constant-Voltage Method2-36
 - 2.4.2 Constant-Current Method2-37
 - 2.4.3 Characteristics of High Ohmic Valued Resistors2-43

- 2.5 Charge Measurements.....2-44**
 - 2.5.1 Error Sources2-44
 - 2.5.2 Zero Check2-45
 - 2.5.3 Extending the Charge Measurement Range
of the Electrometer2-46

- 2.6 General Electrometer Considerations2-47**
 - 2.6.1 Making Connections2-47
 - 2.6.2 Electrostatic Interference and Shielding.....2-49
 - 2.6.3 Environmental Factors.....2-52
 - 2.6.4 Speed Considerations2-53
 - 2.6.5 Johnson Noise2-58
 - 2.6.6 Device Connections.....2-62
 - 2.6.7 Analog Outputs2-66
 - 2.6.8 Floating Input Signals2-67
 - 2.6.9 Electrometer Verification2-68

SECTION 3 Measurements from Low Resistance Sources

- 3.1 Introduction3-2**

- 3.2 Low Voltage Measurements3-2**
 - 3.2.1 Offset Voltages3-2
 - 3.2.2 Noise3-10
 - 3.2.3 Common-Mode Current and Reversal Errors3-15

3.3	Low Resistance Measurements.....	3-16
3.3.1	Lead Resistance and Four-Wire Method	3-16
3.3.2	Thermoelectric EMFs and Offset Compensation Methods	3-19
3.3.3	Non-Ohmic Contacts	3-23
3.3.4	Device Heating	3-24
3.3.5	Dry Circuit Testing.....	3-25
3.3.6	Testing Inductive Devices	3-26

SECTION 4 Applications

4.1	Introduction	4-2
4.2	Applications for Measuring Voltage from High Resistance Sources.....	4-2
4.2.1	Capacitor Dielectric Absorption	4-2
4.2.2	Electrochemical Measurements.....	4-5
4.3	Low Current Measurement Applications	4-9
4.3.1	Capacitor Leakage Measurements.....	4-9
4.3.2	Low Current Semiconductor Measurements	4-11
4.3.3	Light Measurements with Photomultiplier Tubes.....	4-14
4.3.4	Ion Beam Measurements.....	4-16
4.3.5	Avalanche Photodiode Reverse Bias Current Measurements	4-18
4.4	High Resistance Measurement Applications.....	4-20
4.4.1	Surface Insulation Resistance Testing of Printed Circuit Boards.....	4-20
4.4.2	Resistivity Measurements of Insulating Materials	4-22
4.4.3	Resistivity Measurements of Semiconductors	4-26
4.4.4	Voltage Coefficient Testing of High Ohmic Value Resistors	4-35
4.5	Charge Measurement Applications	4-36
4.5.1	Capacitance Measurements.....	4-37
4.5.2	Using a Faraday Cup to Measure Static Charge on Objects.....	4-38
4.6	Low Voltage Measurement Applications	4-39
4.6.1	Standard Cell Comparisons.....	4-39

4.6.2 High Resolution Temperature Measurements
and Microcalorimetry4-42

4.7 Low Resistance Measurement Applications4-44

4.7.1 Contact Resistance.....4-44

4.7.2 Superconductor Resistance Measurements4-47

4.7.3 Resistivity Measurements of Conductive Materials4-50

SECTION 5 Low Level Instrument Selection Guide

5.1 Introduction5-2

5.2 Instrument and Accessory Selector Guides5-2

APPENDIX A Low Level Measurement Troubleshooting Guide

APPENDIX B Cable and Connector Assembly

APPENDIX C Glossary

APPENDIX D Safety Considerations

INDEX

SECTION 1

Low Level DC
Measuring
Instruments

FIGURE 1-1: Standard Symbols Used in this Text

Prefixes		
Symbol	Prefix	Exponent
y	yocto-	10^{-24}
z	zepto-	10^{-21}
a	atto-	10^{-18}
f	femto-	10^{-15}
p	pico-	10^{-12}
n	nano-	10^{-9}
μ	micro-	10^{-6}
m	milli-	10^{-3}
(none)	(none)	10^0
k	kilo-	10^3
M	mega-	10^6
G	giga-	10^9
T	tera-	10^{12}
P	peta-	10^{15}
E	exa-	10^{18}
Z	zetta-	10^{21}
Y	yotta-	10^{24}

Quantities		
Symbol	Unit	Quantity
V	volts	EMF
A	amperes	current
Ω	ohms	resistance
C	coulombs	charge
s	seconds	time
W	watts	power
F	farads	capacitance
Hz	cycles/s	frequency
K	degrees	temperature

1.1 Introduction

DC voltage, DC current, and resistance are measured most often with digital multimeters (DMMs). Generally, these instruments are adequate for measurements at signal levels greater than $1\mu\text{V}$ or $1\mu\text{A}$, or less than $1\text{G}\Omega$. (See **Figure 1-1** for standard symbols used in this text.) However, they don't approach the theoretical limits of sensitivity. For low level signals, more sensitive instruments such as electrometers, picoammeters, and nanovoltmeters must be used.

Section 1 offers an overview of the theoretical limits of DC measurements and the instruments used to make them. It includes instrument descriptions and basic instrument circuit designs. For easier reference, this information is organized into a number of subsections:

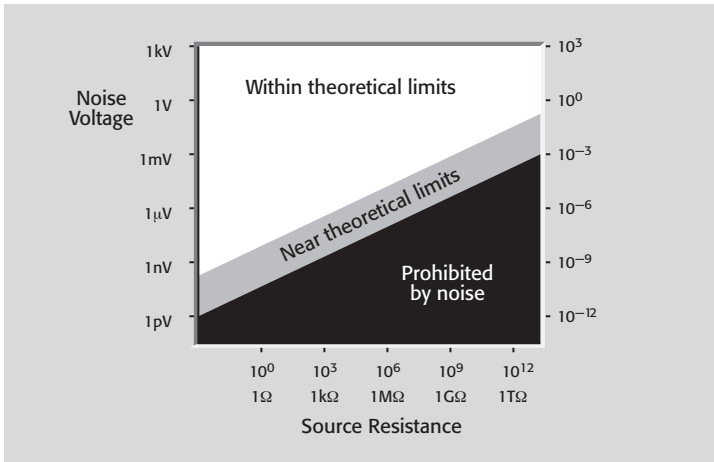
- 1.2 Theoretical Measurement Limits: A discussion of both the theoretical measurement limitations and instrument limitations for low level measurements.
- 1.3 Instrument Definitions: Descriptions of electrometers, DMMs, nanovoltmeters, picoammeters, source-measure units, SourceMeter® instruments, low current preamps, and micro-ohmmeters.
- 1.4 Understanding Instrument Specifications: A review of the terminology used in instrument specifications, such as accuracy (resolution, sensitivity, transfer stability), deratings (temperature coefficient, time drift), noise (NMRR and CMRR), and speed.
- 1.5 Circuit Design Basics: Describes basic circuit design for voltmeter circuits (electrometer, nanovoltmeter) and ammeter circuits (shunt ammeter, feedback picoammeter, high speed picoammeter, logarithmic picoammeter).

1.2 Theoretical Measurement Limits

The theoretical limit of sensitivity in any measurement is determined by the noise generated by the resistances present in the circuit. As discussed in Sections 2.6.5 and 3.2.2, voltage noise is proportional to the square root of the resistance, bandwidth, and absolute temperature. **Figure 1-2** shows theoretical voltage measurement limits at room temperature (300K) with a response time of 0.1 second to ten seconds. Note that high source resistance limits the theoretical sensitivity of the voltage measurement. While it's certainly possible to measure a $1\mu\text{V}$ signal that has a 1Ω source resistance, it's not possible to measure that same $1\mu\text{V}$ signal level from a $1\text{T}\Omega$ source. Even with a much lower $1\text{M}\Omega$ source resistance, a $1\mu\text{V}$ measurement is near theoretical limits, so it would be very difficult to make using an ordinary DMM.

In addition to having insufficient voltage or current sensitivity (most DMMs are no more sensitive than $1\mu\text{V}$ or 1nA per digit), DMMs have high

FIGURE 1-2: Theoretical Limits of Voltage Measurements



input offset current¹ when measuring voltage and lower input resistance compared to more sensitive instruments intended for low level DC measurements. These characteristics cause errors in the measurement; refer to Sections 2 and 3 for further discussion of them.

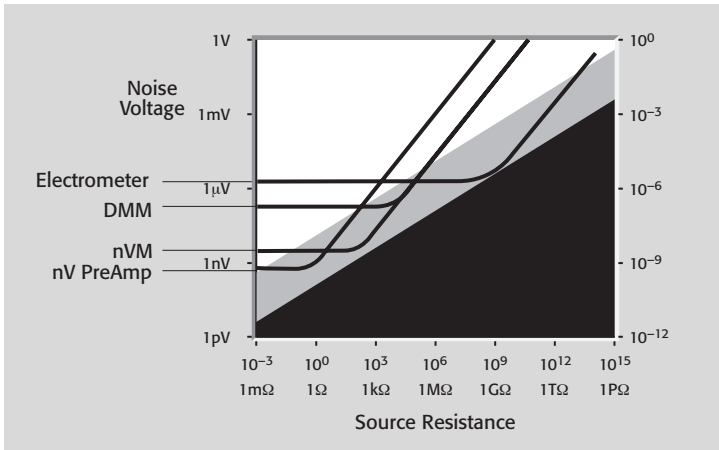
Given these DMM characteristics, it's not possible to use a DMM to measure signals at levels close to theoretical measurement limits, as shown in **Figure 1-3**. However, if the source resistance is 1MΩ or less, or if the desired resolution is no better than 0.1μV (with low source resistance), the signal level isn't "near theoretical limits," and a DMM is adequate. If better voltage sensitivity is desired, and the source resistance is low (as it must be because of theoretical limitations), a nanovoltmeter provides a means of measuring at levels much closer to the theoretical limits of measurement. With very high source resistance values (for example, 1TΩ), a DMM isn't a suitable voltmeter. DMM input resistance ranges from 10MΩ to 10GΩ—several orders of magnitude less than a 1TΩ source resistance, resulting in severe input loading errors. Also, input currents are typically many picoamps, creating large voltage offsets. However, because of its much higher input resistance, an electrometer can make voltage measurements at levels that approach theoretical limits. A similar situation exists for low level current measurements; DMMs generally have a high input voltage drop

¹ Input current flows in the input lead of an active device or instrument. With voltage measurements, the *input current* is ideally zero; thus, any input current represents an error. With current measurements, the *signal current* becomes the *input current* of the measuring instrument. However, some background current is always present when no signal current is applied to the instrument input. This unwanted current is the *input offset current* (often called just the *offset current*) of the instrument.

The source and test connections can also generate unwanted *offset currents* and *offset voltages*.

A *leakage current* is another unwanted error current resulting from voltage across an undesired resistance path (called *leakage resistance*). This current, combined with the *offset current*, is the total error current.

FIGURE 1-3: Typical Digital Multimeter (DMM), Nanovoltmeter (nVM), Nanovolt Preamplifier (nV PreAmp), and Electrometer Limits of Measurement at Various Source Resistances



(input burden), which affects low level current measurements, and DMM resolution is generally no better than 1nA. Thus, an electrometer or picoammeter with its much lower input burden and better sensitivity will operate at levels much closer to the theoretical (and practical) limits of low current measurements.

1.3 Instrument Definitions

A number of different types of instruments are available to make DC measurements, including electrometers, DMMs, nanovoltmeters, picoammeters, SMUs (source-measure units), SourceMeter instruments, low current preamps, and micro-ohmmeters. The following paragraphs discuss and compare the important characteristics of these instruments.

1.3.1 The Electrometer

An electrometer is a highly refined DC multimeter. As such, it can be used for many measurements performed by a conventional DC multimeter. Additionally, an electrometer's special input characteristics and high sensitivity allow it to make voltage, current, resistance, and charge measurements far beyond the capabilities of a conventional DMM.

An electrometer must be used when any of the following conditions exist:

1. The task requires an extended measurement range unavailable with conventional instruments, such as for detecting or measuring:
 - Currents less than 10nA (10⁻⁸A).
 - Resistances greater than 1GΩ (10⁹Ω).

2. Circuit loading must be minimized, such as when:
 - Measuring voltage from a source resistance of $100\text{M}\Omega$ or higher.
 - Measuring current when input voltage drop (burden) of less than a few hundred millivolts is required (when measuring currents from sources of a few volts or less).
3. Charge measurement is required.
4. Measuring signals at or near Johnson noise limitations (as indicated in **Figure 1-2**).

In addition to their versatility, electrometers are easy to operate, reliable, and rugged.

Voltmeter Function

The input resistance of an electrometer voltmeter is extremely high, typically greater than $100\text{T}\Omega$ ($10^{14}\Omega$). Furthermore, the input offset current is less than 3fA ($3 \times 10^{-15}\text{A}$). These characteristics describe a device that can measure voltage with a very small amount of circuit loading.

Because of the high input resistance and low offset current, the electrometer voltmeter has minimal effect on the circuit being measured. As a result, the electrometer can be used to measure voltage in situations where an ordinary multimeter would be unusable. For example, the electrometer can measure the voltage on a 500pF capacitor without significantly discharging the device; it can also measure the potential of piezoelectric crystals and high impedance pH electrodes.

Ammeter Function

As an ammeter, the electrometer is capable of measuring extremely low currents, limited only by theoretical limits or by the instrument's input offset current. It also has a much lower voltage burden than conventional DMMs.

With its extremely low input offset current and minimal input voltage burden, it can detect currents as low as 1fA (10^{-15}A). Because of this high sensitivity, it's suitable for measuring the current output of photomultipliers and ion chambers, as well as very low currents in semiconductors, mass spectrometers, and other devices.

Ohmmeter Function

An electrometer may measure resistance by using either a constant-current or a constant-voltage method. If using the constant-current method, the electrometer's high input resistance and low offset current enables measurements up to $200\text{G}\Omega$. When using the constant-voltage method, the electrometer applies a constant voltage to the unknown resistance, measures the current, and then calculates the resistance. This is the preferred method because it allows the unknown resistor to be tested at a known voltage. An electrometer can measure resistances up to $10\text{P}\Omega$ ($10^{16}\Omega$) using this method.

Coulombmeter Function

Current integration and measurement of charge are electrometer coulombmeter capabilities not found in multimeters. The electrometer coulombmeter can detect charge as low as 10fC (10^{-14} C). It's equivalent to an active integrator and, therefore, has low voltage burden, typically less than $100\mu\text{V}$.

The coulombmeter function can measure lower currents than the ammeter function can, because no noise is contributed by internal resistors. Currents as low as 1fA (10^{-15} A) may be detected using this function. See Section 2.3.8 for further details.

1.3.2 The DMM

Digital multimeters vary widely in performance, from low cost handheld 3½-digit units to high precision system DMMs. While there are many models available from a wide variety of manufacturers, none approaches the theoretical limits of measurement discussed previously. These limitations don't imply that DMMs are inadequate instruments; they simply point out the fact that the vast majority of measurements are made at levels far from theoretical limits, and DMMs are designed to meet these more conventional measurement needs.

Although low level measurements are by definition those that are close to theoretical limits, and are thus outside the range of DMMs, advances in technology are narrowing the gap between DMMs and dedicated low level instruments. For example, the most sensitive DMMs can detect DC voltages as low as 10nV, resolve DC currents down to 10pA, and measure resistances as high as 1GΩ. While these characteristics still fall far short of the corresponding capabilities of more sensitive instruments like the electrometer described previously, all the measurement theory and accuracy considerations in this book apply to DMM measurements as well as to nanovoltmeter, picoammeter, electrometer, or SMU measurements. The difference is only a matter of degree; when making measurements close to theoretical limits, all measurement considerations are vitally important. When measuring at levels far from theoretical limits, only a few basic considerations (accuracy, loading, etc.) are generally of concern.

1.3.3 The Nanovoltmeter

A nanovoltmeter is a very sensitive voltage meter. As shown in **Figure 1-3**, this type of instrument is optimized to provide voltage measurements near the theoretical limits from low source resistances, in contrast to the electrometer, which is optimized for use with high source resistances. Compared to an electrometer, the voltage noise and drift are much lower, and the current noise and drift are much higher. Input resistance is usually similar to that of a DMM and is much lower than that of an electrometer.

As is the case with electrometers, nanovoltmeters are just as reliable and easy to operate as DMMs. Their distinguishing characteristic is their voltage sensitivity, which can be as good as 1pV. Most nanovoltmeters aren't multi-

function instruments and are correspondingly less complex than electrometers.

1.3.4 The Picoammeter

A picoammeter is an ammeter built along the lines of the ammeter function of an electrometer. When compared with an electrometer, a picoammeter has a similar low voltage burden, similar or faster speed, less sensitivity, and a lower price. It may also have special characteristics, such as high speed logarithmic response or a built-in voltage source.

1.3.5 The Source-Measure Unit

As its name implies, a source-measure unit (SMU) has both measuring and sourcing capabilities. Adding current and voltage sourcing capabilities to a measuring instrument provides an extra degree of versatility for many low level measurement applications. For example, very high resistance values can be determined by applying a voltage across a device and measuring the resulting current. The added sourcing functions also make a SMU more convenient and versatile than using separate instruments for such applications as generating I-V curves of semiconductors and other types of devices.

The typical SMU provides the following four functions:

- Measure voltage
- Measure current
- Source voltage
- Source current

These functions can be used separately or they can be used together in the following combinations:

- Simultaneously source voltage and measure current, or
- Simultaneously source current and measure voltage.

SMUs have a number of electrometer-like characteristics that make them suitable for low level measurements. The input resistance is very high (typically $100T\Omega$ or more), minimizing circuit loading when making voltage measurements from high impedance sources. The current measurement sensitivity is also similar to that of the electrometer picoammeter—typically as low as $10fA$.

Another important advantage of many source-measure units is their sweep capability. Either voltage or current can be swept across the desired range at specified increments, and the resulting current or voltage can be measured at each step. Built-in source-delay-measure cycles allow optimizing measurement speed while ensuring sufficient circuit settling time to maintain measurement integrity.

1.3.6 The SourceMeter® Instrument

The SourceMeter instrument is very similar to the source-measure unit in many ways, including its ability to source and measure both current and voltage and to perform sweeps. In addition, a SourceMeter instrument can display the measurements directly in resistance, as well as voltage and current.

The typical SourceMeter instrument doesn't have as high an input impedance or as low a current capability as a source-measure unit. The SourceMeter instrument is designed for general-purpose, high speed production test applications. It can be used as a source for moderate to low level measurements and for research applications.

Unlike a DMM, which can make a measurement at only one point, a SourceMeter instrument can be used to generate a family of curves, because it has a built-in source. This is especially useful when studying semiconductor devices and making materials measurements.

When used as a current source, a SourceMeter instrument can be used in conjunction with a nanovoltmeter to measure very low resistances by automatically reversing the polarity of the source to correct for offsets.

1.3.7 The Low Current Preamp

Some SMUs and SourceMeter instruments may have a remote low current preamp. With this design, the sensitive amplifier circuitry is separate from the SMU or SourceMeter instrument. This makes it possible to place the most sensitive part of the instrument very close to the device being tested, thereby eliminating a major source of error, the noise and leakage from the cables themselves.

1.3.8 The Micro-ohmmeter

A micro-ohmmeter is a special type of ohmmeter designed especially for making low level resistance measurements. While the techniques used for making resistance measurements are similar to those used in a DMM, micro-ohmmeter circuits are optimized for making low level measurements. The typical micro-ohmmeter can resolve resistances as low as $10\mu\Omega$.

Measurements made using the micro-ohmmeter are always performed using the four-wire technique in order to minimize errors caused by test leads and connections. The typical micro-ohmmeter also has additional features such as offset compensation and dry circuit testing to optimize low resistance measurements. Offset compensation is performed by pulsing the test current to cancel offsets from thermoelectric EMFs. The dry circuit test mode limits the voltage across the unknown resistance to a very small value (typically $<20\text{mV}$) to avoid puncturing oxides when testing such devices as relay contacts, connectors, and switches.

1.4 Understanding Instrument Specifications

Knowing how to interpret instrument specifications properly is an important aspect of making good low level measurements. Although instrument accuracy is probably the most important of these specifications, there are several other factors to consider when reviewing specifications, including noise, deratings, and speed.

1.4.1 Definition of Accuracy Terms

This section defines a number of terms related to instrument accuracy. Some of these terms are further discussed in subsequent paragraphs. **Table 1-1** summarizes conversion factors for various specifications associated with instruments.

SENSITIVITY - the smallest *change* in the signal that can be detected.

RESOLUTION - the smallest *portion* of the signal that can be observed.

REPEATABILITY - the closeness of agreement between *successive* measurements carried out under the same conditions.

REPRODUCIBILITY - the closeness of agreement between measurements of the same quantity carried out with a stated *change in conditions*.

ABSOLUTE ACCURACY - the closeness of agreement between the result of a measurement and its true value or accepted *standard value*. Accuracy is often separated into gain and offset terms.

RELATIVE ACCURACY - the extent to which a measurement accurately reflects the *relationship* between an unknown and a *reference value*.

ERROR - the *deviation* (difference or ratio) of a measurement *from its true value*. Note that true values are by their nature indeterminate.

RANDOM ERROR - the *mean* of a large number of measurements influenced by random error *matches the true value*.

SYSTEMATIC ERROR - the *mean* of a large number of measurements influenced by systematic error *deviates from the true value*.

UNCERTAINTY - an estimate of the *possible* error in a measurement, i.e., the estimated possible deviation from its actual value. This is the opposite of accuracy.

“Precision” is a more qualitative term than many of those defined here. It refers to the freedom from uncertainty in the measurement. It’s often applied in the context of repeatability or reproducibility, but it shouldn’t be used in place of “accuracy.”

1.4.2 Accuracy

One of the most important considerations in any measurement situation is reading accuracy. For any given test setup, a number of factors can affect accuracy. The most important factor is the accuracy of the instrument itself, which may be specified in several ways, including a percentage of full scale,

TABLE 1-1: Specification Conversion Factors

Percent	PPM	Digits	Bits	dB	Portion of 10V	Number of time constants to settle to rated accuracy
10%	100000	1	3.3	-20	1 V	2.3
1%	10000	2	6.6	-40	100mV	4.6
0.1%	1000	3	10	-60	10mV	6.9
0.01%	100	4	13.3	-80	1mV	9.2
0.001%	10	5	16.6	-100	100 μ V	11.5
0.0001%	1	6	19.9	-120	10 μ V	13.8
0.00001%	0.1	7	23.3	-140	1 μ V	16.1
0.000001%	0.01	8	26.6	-160	100 nV	18.4
0.0000001%	0.001	9	29.9	-180	10 nV	20.7

a percentage of reading, or a combination of both. Instrument accuracy aspects are covered in the following paragraphs.

Other factors such as input loading, leakage resistance and current, shielding, and guarding may also have a serious impact on overall accuracy. These important measurement considerations are discussed in detail in Sections 2 and 3.

Measurement Instrument Specifications

Instrument accuracy is usually specified as a percent of reading, plus a percentage of range (or a number of counts of the least significant digit). For example, a typical DMM accuracy specification may be stated as: $\pm(0.005\%$ of reading + 0.002% of range). Note that the percent of reading is most significant when the reading is close to full scale, while the percent of range is most significant when the reading is a small fraction of full scale.

Accuracy may also be specified in ppm (parts per million). Typically, this accuracy specification is given as $\pm(\text{ppm of reading} + \text{ppm of range})$. For example, the DCV accuracy of a higher resolution DMM might be specified as $\pm(25\text{ppm of reading} + 5\text{ppm of range})$.

Resolution

The resolution of a digital instrument is determined by the number of counts that can be displayed, which depends on the number of digits. A typical digital electrometer might have $5\frac{1}{2}$ digits, meaning five whole digits (each with possible values between 0 and 9) plus a leading half digit that can take on the values 0 or ± 1 . Thus, a $5\frac{1}{2}$ -digit display can show 0 to 199,999, a total of 200,000 counts. The resolution of the display is the ratio of the smallest count to the maximum count ($1/200,000$ or 0.0005% for a $5\frac{1}{2}$ -digit display).

For example, the specification of $\pm(0.05\% + 1 \text{ count})$ on a 4½-digit meter reading 10.000 volts corresponds to a total error of $\pm(5\text{mV} + 1\text{mV})$ out of 10V, or $\pm(0.05\% \text{ of reading} + 0.01\% \text{ of reading})$, totaling $\pm 0.06\%$. Generally, the higher the resolution, the better the accuracy.

Sensitivity

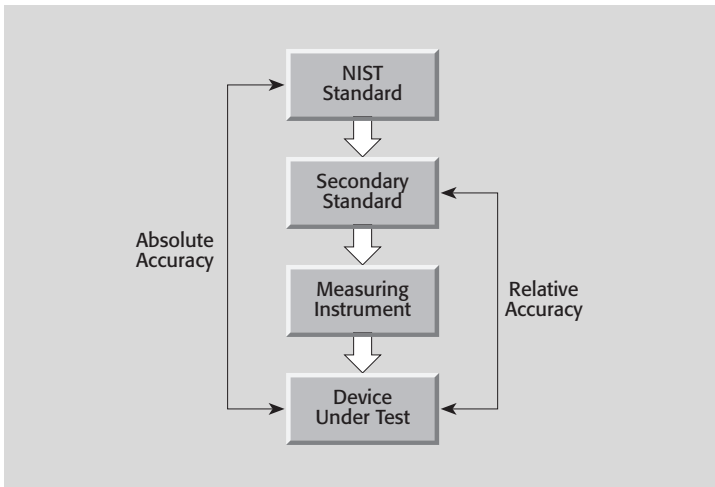
The sensitivity of a measurement is the smallest change of the measured signal that can be detected. For example, voltage sensitivity may be $1\mu\text{V}$, which simply means that any change in input signal less than $1\mu\text{V}$ won't show up in the reading. Similarly, a current sensitivity of 10fA implies that only changes in current greater than that value will be detected.

The ultimate sensitivity of a measuring instrument depends on both its resolution and the lowest measurement range. For example, the sensitivity of a 5½-digit DMM with a 200mV measurement range is $1\mu\text{V}$.

Absolute and Relative Accuracy

As shown in **Figure 1-4**, absolute accuracy is the measure of instrument accuracy that is directly traceable to the primary standard at the National Institute of Standards and Technology (NIST). Absolute accuracy may be specified as $\pm(\% \text{ of reading} + \text{counts})$, or it can be stated as $\pm(\text{ppm of reading} + \text{ppm of range})$, where ppm signifies parts per million of error.

FIGURE 1-4: Comparison of Absolute and Relative Accuracy



Relative accuracy (see **Figure 1-4**) specifies instrument accuracy to some secondary reference standard. As with absolute accuracy, relative accuracy can be specified as $\pm(\% \text{ of reading} + \text{counts})$ or it may be stated as $\pm(\text{ppm of reading} + \text{ppm of range})$.

Transfer Stability

A special case of relative accuracy is the transfer stability, which defines instrument accuracy relative to a secondary reference standard over a very short time span and narrow ambient temperature range (typically within five minutes and $\pm 1^\circ\text{C}$). The transfer stability specification is useful in situations where highly accurate measurements must be made in reference to a known secondary standard.

Calculating Error Terms from Accuracy Specifications

To illustrate how to calculate measurement errors from instrument specifications, assume the following measurement parameters:

Accuracy: $\pm(25\text{ppm of reading} + 5\text{ppm of range})$

Range: 2V

Input signal: 1.5V

The error is calculated as:

$$\begin{aligned}\text{Error} &= 1.5(25 \times 10^{-6}) + 2(5 \times 10^{-6}) \\ &= (37.5 \times 10^{-6}) + (10 \times 10^{-6}) \\ &= 47.5 \times 10^{-6}\end{aligned}$$

Thus, the reading could fall anywhere within the range of 1.5V \pm 47.5 μ V, an error of $\pm 0.003\%$.

1.4.3 Deratings

Accuracy specifications are subject to deratings for temperature and time drift, as discussed in the following paragraphs.

Temperature Coefficient

The temperature of the operating environment can affect accuracy. For this reason, instrument specifications are usually given over a defined temperature range. Keithley accuracy specifications on newer electrometers, nanovoltmeters, DMMs, and SMUs are usually given over the range of 18°C to 28°C . For temperatures outside of this range, a temperature coefficient such as $\pm(0.005\% + 0.1 \text{ count})/^\circ\text{C}$ or $\pm(5\text{ppm of reading} + 1\text{ppm of range})/^\circ\text{C}$ is specified. As with the accuracy specification, this value is given as a percentage of reading plus a number of counts of the least significant digit (or as a ppm of reading plus ppm of range) for digital instruments. If the instrument is operated outside the 18°C to 28°C temperature range, this figure must be taken into account, and errors can be calculated in the manner described previously for every degree less than 18°C or greater than 28°C .

Time Drift

Most electronic instruments, including electrometers, picoammeters, nanovoltmeters, DMMs, SMUs, and SourceMeter instruments, are subject to changes in accuracy and other parameters over a long period of time, whether or not the equipment is operating. Because of these changes, instrument specifications usually include a time period beyond which the

instrument's accuracy cannot be guaranteed. The time period is stated in the specifications, and is typically over specific increments such as 90 days or one year. As noted previously, transfer stability specifications are defined for a much shorter period of time—typically five or 10 minutes.

1.4.4 Noise and Noise Rejection

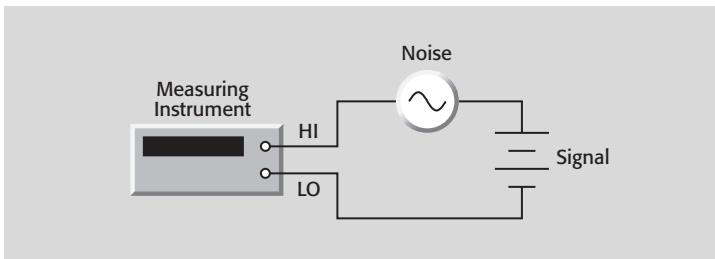
Noise is often a consideration when making virtually any type of electronic measurement, but noise problems can be particularly severe when making low level measurements. Thus, it's important that noise specifications and terms are well understood when evaluating the performance of an instrument.

Normal Mode Rejection Ratio

Normal mode rejection ratio (NMRR) defines how well the instrument rejects or attenuates noise that appears between the HI and LO input terminals. Noise rejection is accomplished by using the integrating A/D converter to attenuate noise at specific frequencies (usually 50 and 60Hz) while passing low frequency or DC normal mode signals. As shown in **Figure 1-5**, normal mode noise is an error signal that adds to the desired input signal. Normal mode noise is detected as a peak noise or deviation in a DC signal. The ratio is calculated as:

$$\text{NMRR} = 20 \log \left[\frac{\text{peak normal mode noise}}{\text{peak measurement deviation}} \right]$$

FIGURE 1-5: Normal Mode Noise

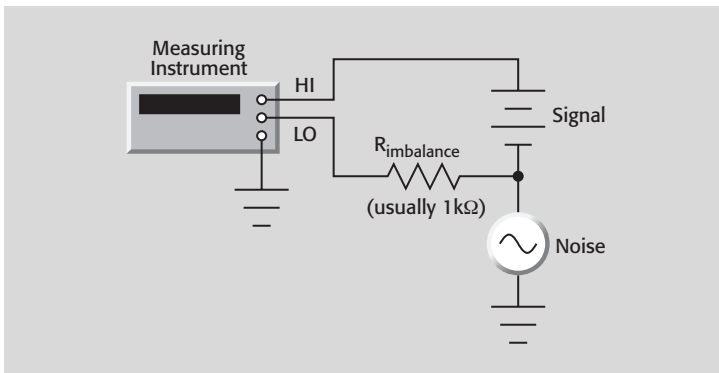


Normal mode noise can seriously affect measurements unless steps are taken to minimize the amount added to the desired signal. Careful shielding will usually attenuate normal mode noise, and many instruments have internal filtering to reduce the effects of such noise even further.

Common Mode Rejection Ratio

Common mode rejection ratio (CMRR) specifies how well an instrument rejects noise signals that appear between both input high and input low and chassis ground, as shown in **Figure 1-6**. CMRR is usually measured with a 1k Ω resistor imbalance in one of the input leads.

FIGURE 1-6: Common Mode Noise



Although the effects of common mode noise are usually less severe than normal mode noise, this type of noise can still be a factor in sensitive measurement situations. To minimize common mode noise, connect shields only to a single point in the test system.

Noise Specifications

Both NMRR and CMRR are generally specified in dB at 50 and 60Hz, which are the interference frequencies of greatest interest. (CMRR is often specified at DC as well.) Typical values for NMRR and CMRR are $>80\text{ dB}$ and $>120\text{ dB}$ respectively.

Each 20dB increase in noise rejection ratio reduces noise voltage or current by a factor of 10. For example, a rejection ratio of 80dB indicates noise reduction by a factor of 10^4 , while a ratio of 120dB shows that the common mode noise would be reduced by a factor of 10^6 . Thus, a 1V noise signal would be reduced to $100\mu\text{ V}$ with an 80dB rejection ratio and down to $1\mu\text{ V}$ with a 120dB rejection ratio.

1.4.5 Speed

Instrument measurement speed is often important in many test situations. When specified, measurement speed is usually stated as a specific number of readings per second for given instrument operating conditions. Certain factors such as integration period and the amount of filtering may affect overall instrument measurement speed. However, changing these operating modes may also alter resolution and accuracy, so there is often a tradeoff between measurement speed and accuracy.

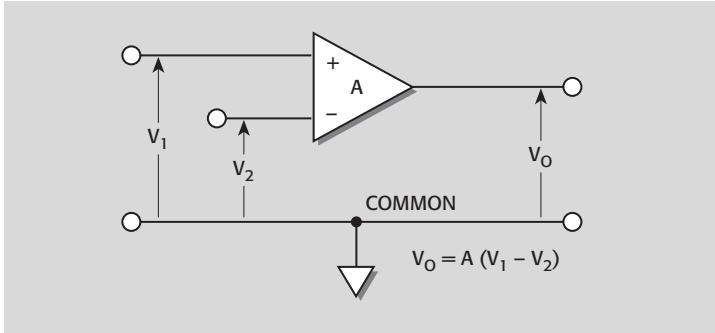
Instrument speed is most often a consideration when making low impedance measurements. At higher impedance levels, circuit settling times become more important and are usually the overriding factor in determining overall measurement speed. Section 2.6.4 discusses circuit settling time considerations in more detail.

1.5 Circuit Design Basics

Circuits used in the design of many low level measuring instruments, whether a voltmeter, ammeter, ohmmeter, or coulombmeter, generally use circuits that can be understood as operational amplifiers. **Figure 1-7** shows a basic operational amplifier. The output voltage is given by:

$$V_O = A (V_1 - V_2)$$

FIGURE 1-7: Basic Operational Amplifier



The gain (A) of the amplifier is very large, a minimum of 10^4 to 10^5 , and often 10^6 . The amplifier has a power supply (not shown) referenced to the common lead.

Current into the op amp inputs is ideally zero. The effect of feedback properly applied is to reduce the input voltage difference ($V_1 - V_2$) to zero.

1.5.1 Voltmeter Circuits

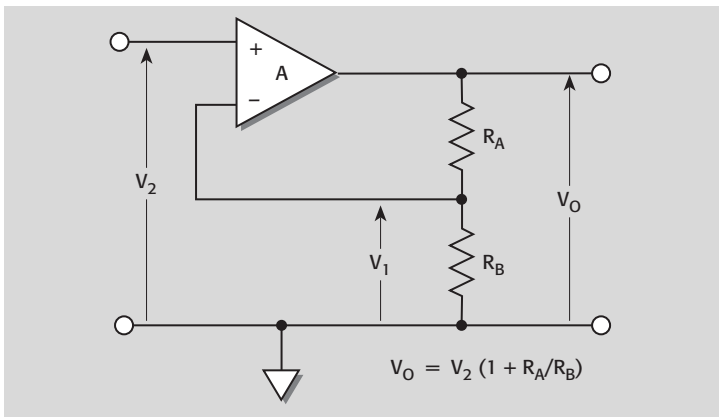
Electrometer Voltmeter

The operational amplifier becomes a voltage amplifier when connected as shown in **Figure 1-8**. The offset current is low, so the current flowing through R_A and R_B is the same. Assuming the gain (A) is very high, the voltage gain of the circuit is defined as:

$$V_O = V_2 (1 + R_A/R_B)$$

Thus, the output voltage (V_O) is determined both by the input voltage (V_2), and amplifier gain set by resistors R_A and R_B . Given that V_2 is applied to the amplifier input lead, the high input resistance of the operational amplifier is the only load on V_2 , and the only current drawn from the source is the very low input offset current of the operational amplifier. In many electrometer voltmeters, R_A is shorted and R_B is open, resulting in unity gain.

FIGURE 1-8: Voltage Amplifier



Nanovoltmeter Preamplifier

The same basic circuit configuration shown in **Figure 1-8** can be used as an input preamplifier for a nanovoltmeter. Much higher voltage gain is required, so the values of R_A and R_B are set accordingly; a typical voltage gain for a nanovoltmeter preamplifier is 10^3 .

Electrometer and nanovoltmeter characteristics differ, so the operational amplifier requirements for these two types of instruments are also somewhat different. While the most important characteristics of the electrometer voltmeter operational amplifier are low input offset current and high input impedance, the most important requirement for the nanovoltmeter input preamplifier is low input noise voltage.

1.5.2 Ammeter Circuits

There are two basic techniques for making current measurements: these are the shunt ammeter and the feedback ammeter techniques. DMMs and older electrometers use the shunt method, while picoammeters and the AMPS function of electrometers use the feedback ammeter configuration only.

Shunt Ammeter

Shunting the input of a voltmeter with a resistor forms a shunt ammeter, as shown in **Figure 1-9**. The input current (I_{IN}) flows through the shunt resistor (R_S). The output voltage is defined as:

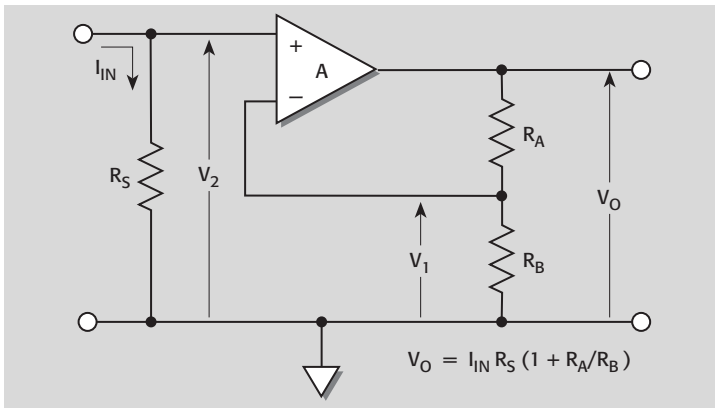
$$V_O = I_{IN} R_S (1 + R_A/R_B)$$

For several reasons, it's generally advantageous to use the smallest possible value for R_S .

First, low value resistors have better accuracy, time and temperature stability, and voltage coefficient than high value resistors. Second, lower resistor

values reduce the input time constant and result in faster instrument response time. To minimize circuit loading, the input resistance (R_S) of an ammeter should be small, thus reducing the voltage burden (V_2). However, note that reducing the shunt resistance will degrade the signal-to-noise ratio.

FIGURE 1-9: Shunt Ammeter



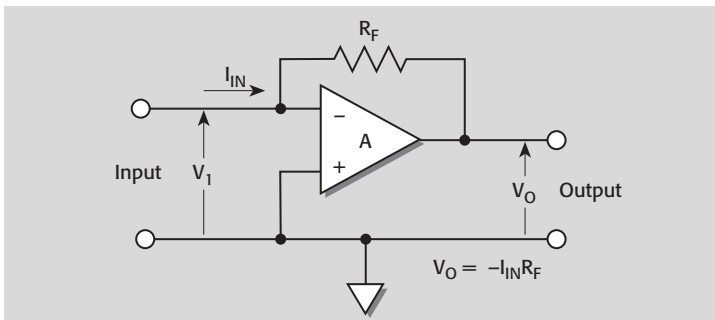
Feedback Ammeter

In this configuration, shown in **Figure 1-10**, the input current (I_{IN}) flows through the feedback resistor (R_F). The low offset current of the amplifier (A) changes the current (I_{IN}) by a negligible amount. The amplifier output voltage is calculated as:

$$V_O = -I_{IN}R_F$$

Thus, the output voltage is a measure of input current, and overall sensitivity is determined by the feedback resistor (R_F). The low voltage burden (V_1) and corresponding fast rise time are achieved by the high gain op amp, which forces V_1 to be nearly zero.

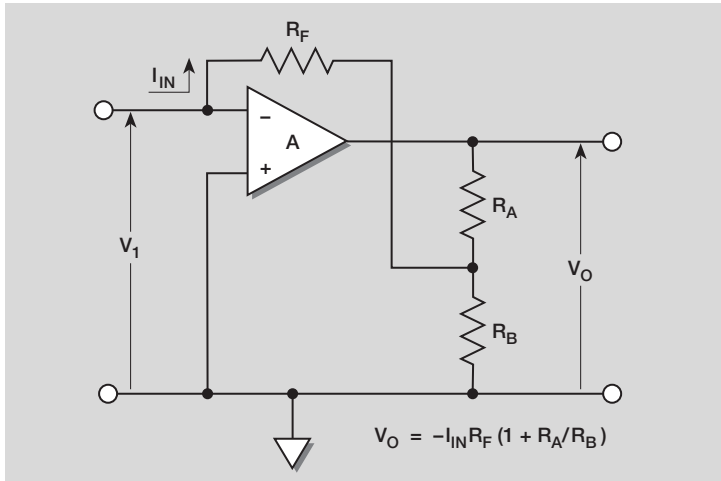
FIGURE 1-10: Feedback Ammeter



Picoammeter amplifier gain can be changed as in the voltmeter circuit by using the combination shown in **Figure 1-11**. Here, the addition of R_A and R_B forms a “multiplier,” and the output voltage is defined as:

$$V_O = -I_{IN}R_F (1 + R_A/R_B)$$

FIGURE 1-11: Feedback Ammeter with Selectable Voltage Gain



High Speed Picoammeter

The rise time of a feedback picoammeter is normally limited by the time constant of the feedback resistor (R_F) and any shunting capacitance (C_F). A basic approach to high speed measurements is to minimize stray shunting capacitance through careful mechanical design of the picoammeter.

Remaining shunt capacitance can be effectively neutralized by a slight modification of the feedback loop, as shown in **Figure 1-12**. If the time constant R_1C_1 is made equal to the time constant R_FC_F , the shaded area of the circuit behaves exactly as a resistance R_F with zero C_F . The matching of time constants in this case is fairly straightforward, because the capacitances involved are all constant and aren't affected by input capacitances.

Logarithmic Picoammeter

A logarithmic picoammeter can be formed by replacing the feedback resistor in a picoammeter with a diode or transistor exhibiting a logarithmic voltage-current relationship, as shown in **Figure 1-13**. The output voltage (and the meter display) is then equal to the logarithm of the input current. As a result, several decades of current can be read on the meter without changing the feedback element.

FIGURE 1-12: Neutralizing Shunt Capacitance

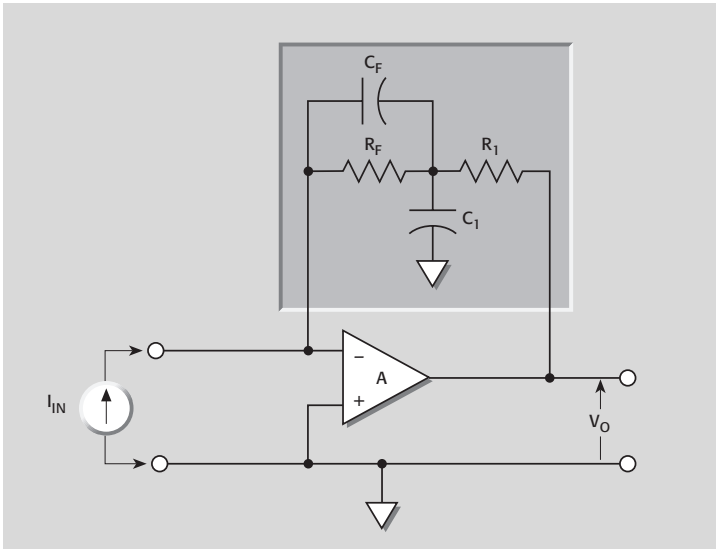
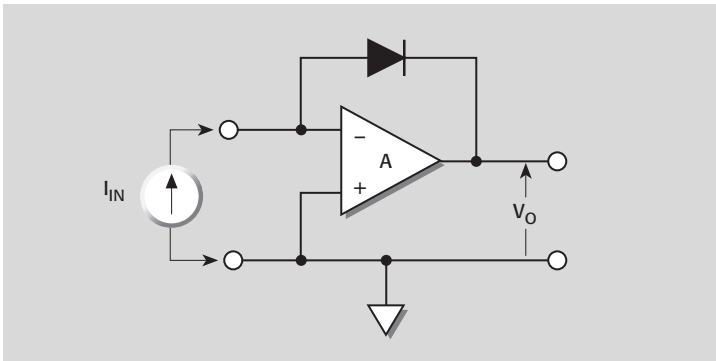


FIGURE 1-13: Logarithmic Picoammeter



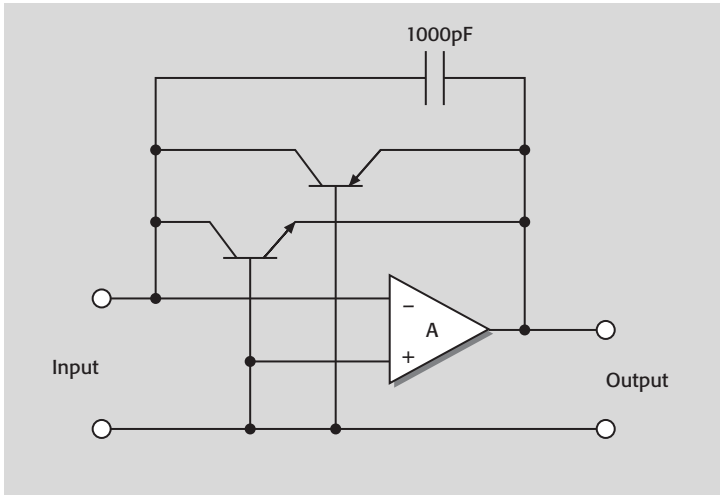
The main advantage of a logarithmic picoammeter is its ability to follow current changes over several decades without range changing.

The big disadvantage is the loss of accuracy and resolution, but some digital picoammeters combine accuracy and dynamic range by combining autoranging and digital log conversion.

If two diodes are connected in parallel, back-to-back, this circuit will function with input signals of either polarity.

Using a small-signal transistor in place of a diode produces somewhat better performance. **Figure 1-14** shows an NPN transistor and a PNP transistor in the feedback path to provide dual polarity operation.

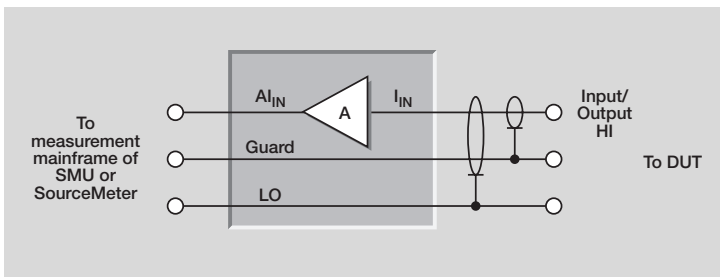
FIGURE 1-14: Dual Polarity Log Current to Voltage Converter



Remote Preamp Circuit (Source V, Measure I Mode)

Figure 1-15 illustrates a typical preamp circuit. In the Source V, Measure I mode, the SMU applies a programmed voltage and measures the current flowing from the voltage source. The sensitive input is surrounded by a guard, which can be carried right up to the DUT for fully guarded measurements. The remote preamp amplifies the low current signal passing through the DUT; therefore, the cable connecting the remote preamp to the measurement mainframe carries only high level signals, minimizing the impact of cable noise.

FIGURE 1-15: Remote Preamp in Source V, Measure I Mode



1.5.3 Coulombmeter Circuit

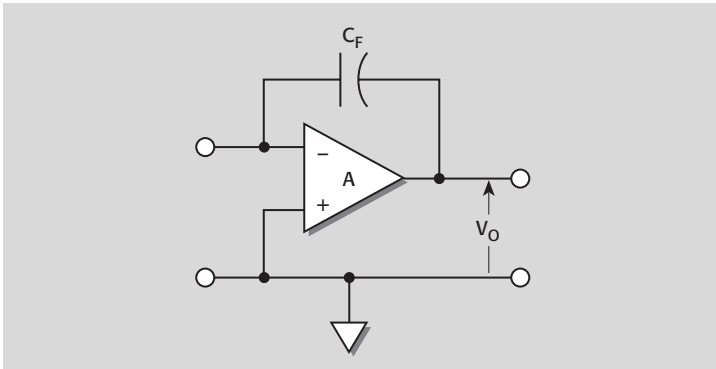
The coulombmeter measures electrical charge that has been stored in a capacitor or that might be produced by some charge generating process.

For a charged capacitor, $Q = CV$, where Q is the charge in coulombs on the capacitor, C is the capacitance in farads, and V is the potential across the capacitor in volts. Using this relationship, the basic charge measuring scheme is to transfer the charge to be measured to a capacitor of known value and then measure the voltage across the known capacitor; thus, $Q = CV$.

The electrometer is ideal for charge measurements, because the low off-set current won't alter the transferred charge during short time intervals and the high input resistance won't allow the charge to bleed away.

Electrometers use a feedback circuit to measure charge, as shown in **Figure 1-16**. The input capacitance of this configuration is AC_F . Thus, large effective values of input capacitance are obtained using reasonably sized capacitors for C_F .

FIGURE 1-16: Feedback Coulombmeter



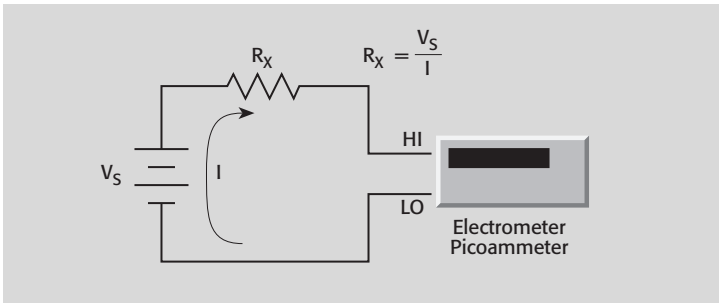
1.5.4 High Resistance Ohmmeter Circuits

Electrometer Picoammeter and Voltage Source

In this configuration (**Figure 1-17**), a voltage source (V_S) is placed in series with an unknown resistor (R_X) and an electrometer picoammeter. The voltage drop across the picoammeter is small, so essentially all the voltage appears across R_X , and the unknown resistance can be computed from the sourced voltage and the measured current (I).

The advantages of this method are that it's fast and, depending on the power supply voltage and insulating materials, it allows measuring extremely high resistance. Also, with an adjustable voltage source, the voltage dependence of the resistance under test can be obtained directly.

FIGURE 1-17: High Resistance Measurement Using External Voltage Source

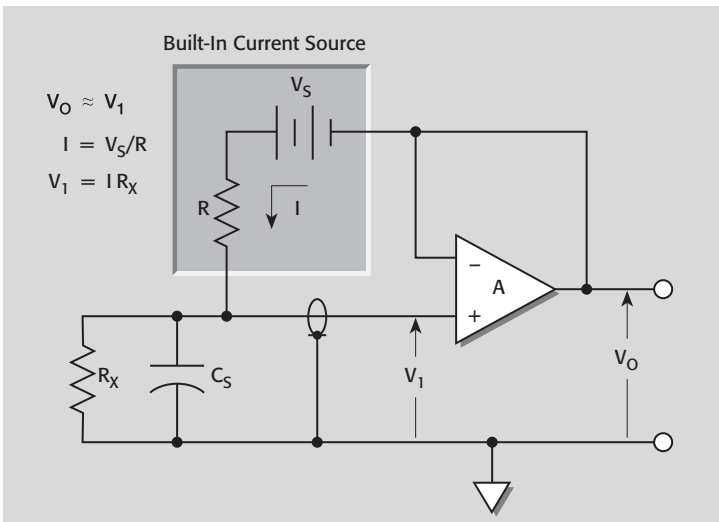


Usually, this method requires two instruments: a voltage source and a picoammeter or electrometer. Some electrometers and picoammeters, however, have a built-in voltage source and are capable of measuring the resistance directly.

Electrometer Ohmmeter Using Built-In Current Source

Figure 1-18 shows the basic configuration of an alternative form of electrometer ohmmeter. A built-in constant-current source, formed by V_S and R , forces a known current through the unknown resistance (R_X). The resulting voltage drop is proportional to the unknown resistance and is indicated by the meter as resistance, rather than voltage.

FIGURE 1-18: Electrometer Ohmmeter with Built-In Current Source

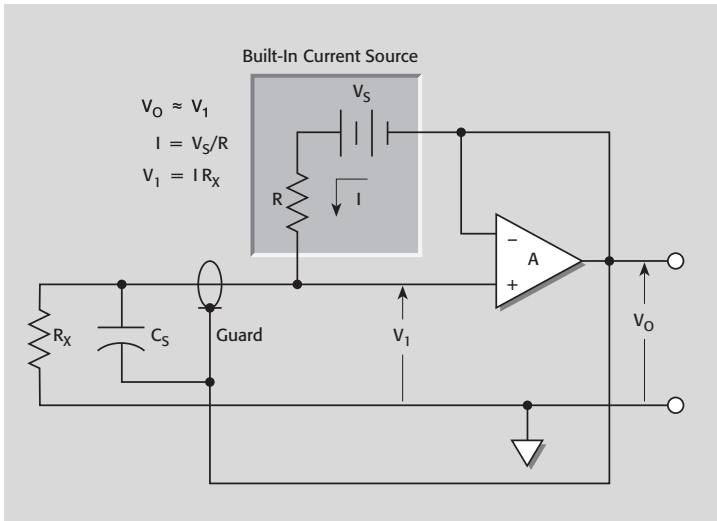


The disadvantage of this method is that the voltage across the unknown is a function of its resistance, so it cannot be easily controlled. Very high resistances tend to have large voltage coefficients; therefore, measurements made with a constant voltage are more meaningful. In addition, the response speed for resistances greater than $10\text{G}\Omega$ will be rather slow. This limitation can be partially overcome by guarding.

Electrometer Ohmmeter with Guarded Ohms Mode

Figure 1-19 shows a modification of the circuit in Figure 1-18 in which the HI input node is surrounded with a guard voltage from the operational amplifier output. The amplifier has unity gain, so this guard voltage is virtually the same potential as V_1 and the capacitance (C_S) of the input cable is largely neutralized, resulting in much faster measurements of resistances greater than $10\text{G}\Omega$.

FIGURE 1-19: Electrometer Ohmmeter with Guarded Ohms

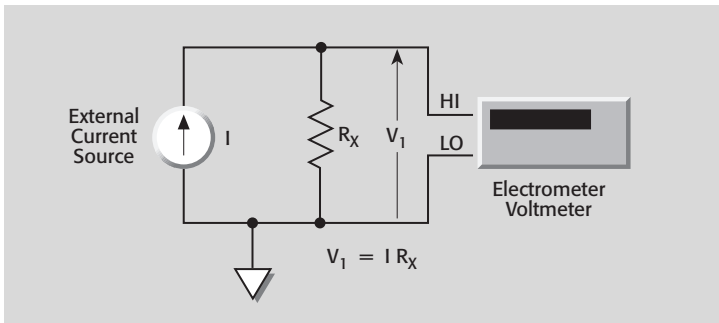


The guarded mode also significantly reduces the effect of input cable leakage resistance, as discussed in Section 2.4.2.

Electrometer Voltmeter and External Current Source

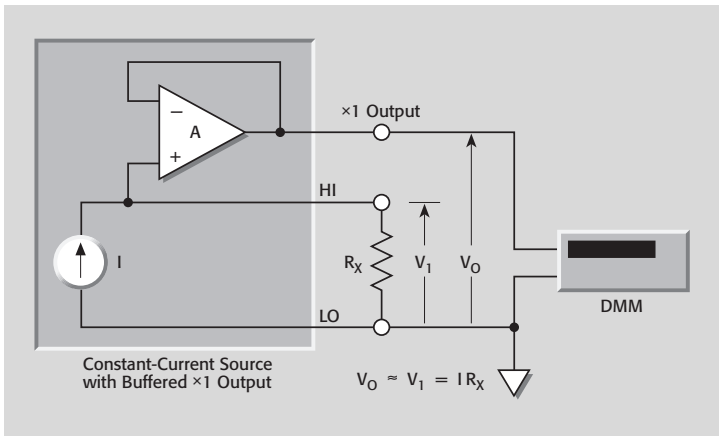
In this method, shown in Figure 1-20, a current source generates current (I), which flows through the unknown resistor (R_X). The resulting voltage drop is measured with an electrometer voltmeter, and the value of R_X is calculated from the voltage and current.

FIGURE 1-20: High Resistance Measurement Using External Current Source with Electrometer Voltmeter



If the current source has a buffered $\times 1$ output, a low impedance voltmeter, such as a DMM, may be used to read the voltage across R_X . This arrangement is shown in **Figure 1-21**.

FIGURE 1-21: High Resistance Measurement Using a True Current Source with a DMM



1.5.5 Low Resistance Ohmmeter Circuits

Nanovoltmeter and External Current Source

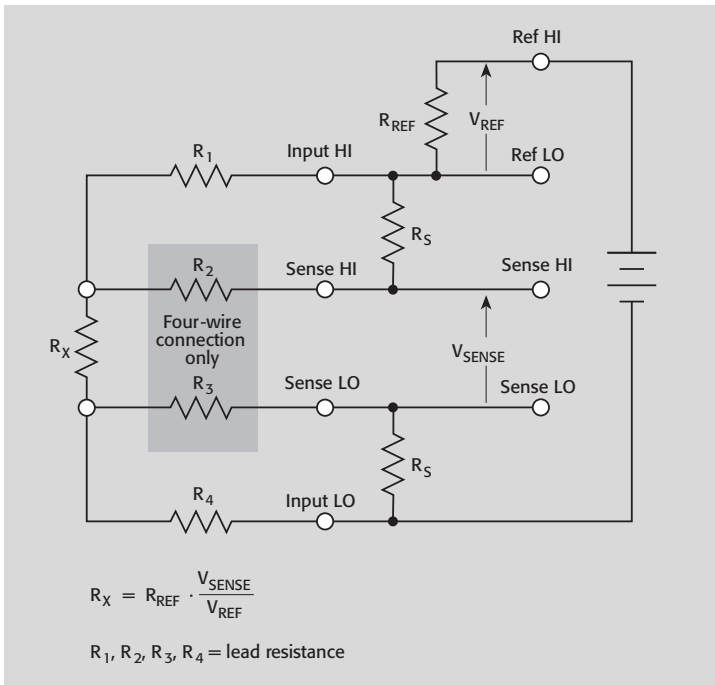
If the electrometer in **Figure 1-20** is replaced with a nanovoltmeter, the circuit can be used to measure very low resistances ($< \mu\Omega$). Using a four-wire method eliminates any lead resistance from the measurement. A current source that can automatically change polarity can be used to correct for offsets. First, a voltage measurement is taken with positive test current, then another voltage measurement is taken with negative test current. Averaging the difference between the two readings cancels the offsets.

DMM Ohmmeter

The typical DMM uses the ratiometric technique shown in **Figure 1-22** to make resistance measurements. When the resistance function is selected, a series circuit is formed between the ohms voltage source, a reference resistance (R_{REF}), and the resistance being measured (R_X). The voltage causes a current to flow through the two resistors. This current is common to both resistances, so the value of the unknown resistance can be determined by measuring the voltage across the reference resistance and across the unknown resistance and calculating as:

$$R_X = R_{REF} \cdot \frac{\text{SENSE HI} - \text{SENSE LO}}{\text{REF HI} - \text{REF LO}}$$

FIGURE 1-22: Ratiometric Resistance Measurement

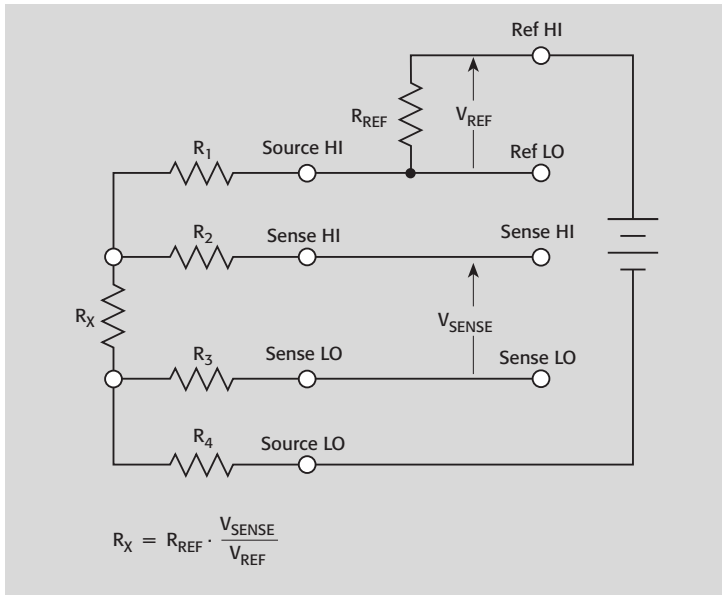


The resistors (R_S) provide automatic two-wire or four-wire resistance measurements. When used in the two-wire mode, the measurement will include the lead resistance, represented by R_1 and R_4 . When the unknown resistance is low, perhaps less than 100Ω , the four-wire mode will give much better accuracy. The sense lead resistance, R_2 and R_3 , won't cause significant error because the sense circuit has very high impedance.

Micro-ohmmeter

The micro-ohmmeter also uses the four-wire ratiometric technique, which is shown in **Figure 1-23**. It doesn't have the internal resistors (R_S), as in the DMM, so all four leads must be connected to make a measurement. Also, the terminals that supply test current to the unknown resistance are labeled Source HI and Source LO.

FIGURE 1-23: Micro-ohmmeter Resistance Measurement



The pulsed drive mode, shown in **Figure 1-24**, allows the micro-ohmmeter to cancel stray offset voltages in the unknown resistance being measured. During the measurement cycle, the voltage across the unknown resistance is measured twice, once with the drive voltage on, and a second time with the drive voltage turned off. Any voltage present when the drive voltage is off represents an offset voltage and will be subtracted from the voltage measured when the drive voltage is on, providing a more accurate measurement of the resistance.

The dry circuit test mode, shown in **Figure 1-25**, adds a resistor across the source terminals to limit the open-circuit voltage to less than 20mV. This prevents breakdown of any insulating film in the device being tested and gives a better indication of device performance with low level signals. The meter must now measure the voltage across this resistor (R_{SH}), as well as the voltage across the reference resistor and the unknown resistor. See Section 3.3.5 for more information on dry circuit testing.

FIGURE 1-24: Micro-ohmmeter in Pulse Mode

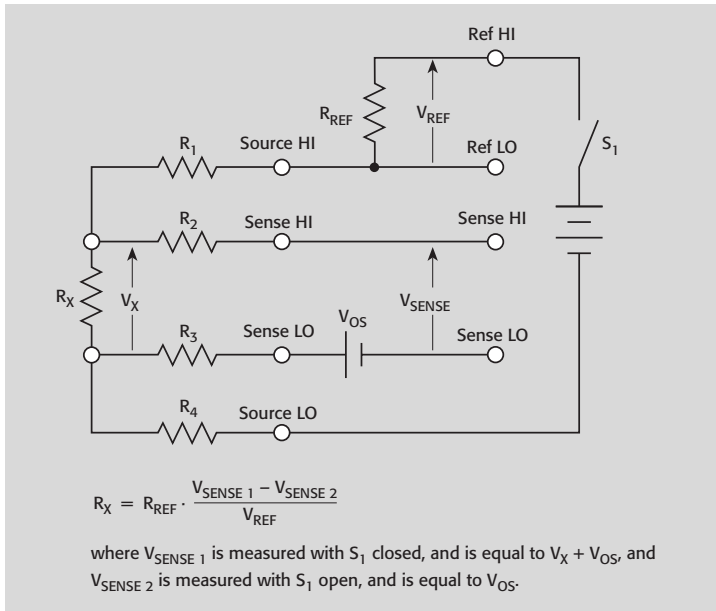


FIGURE 1-25: Micro-ohmmeter with Dry Circuit On

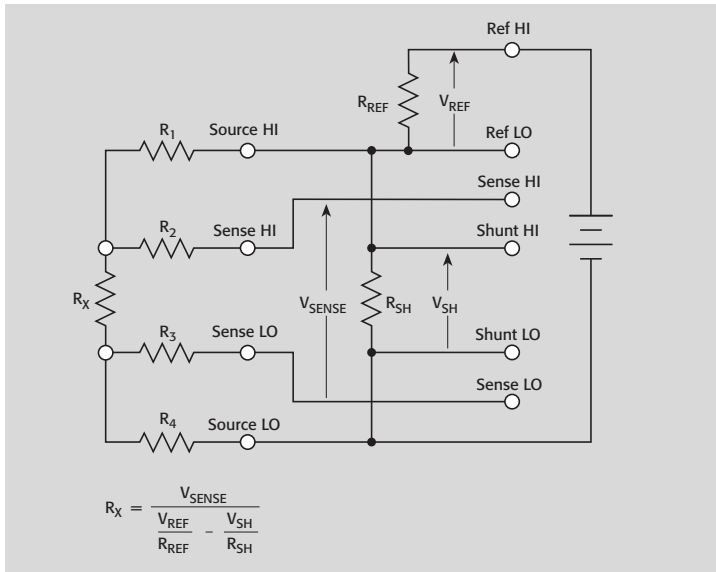
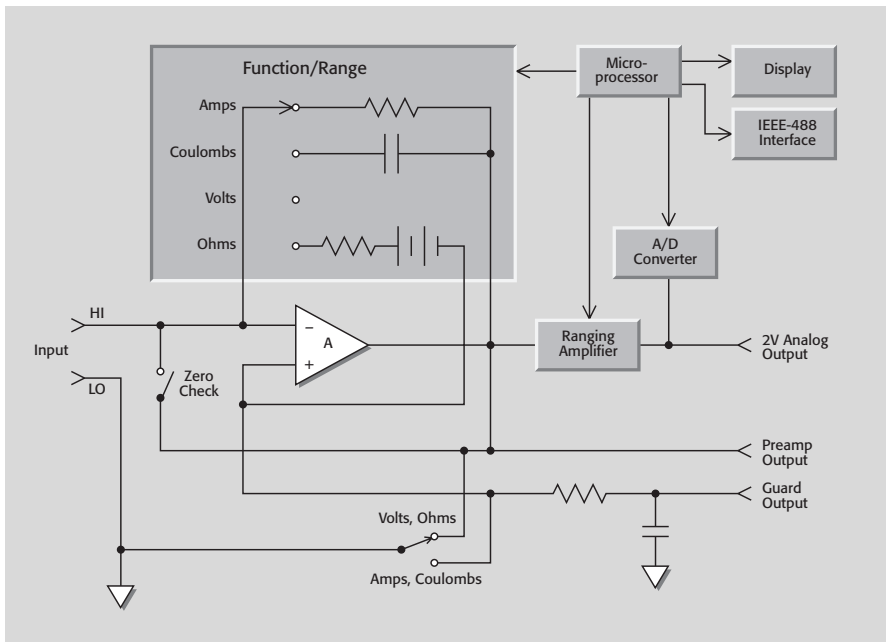


FIGURE 1-26: Typical Digital Electrometer



1.5.6 Complete Instruments

Digital Electrometers

Figure 1-26 is a block diagram of a typical digital electrometer. The analog section is similar to the circuitry discussed previously. An electrometer pre-amplifier is used at the input to increase sensitivity and raise input resistance. The output of the main amplifier is applied to both the analog output and the A/D converter. Range switching and function switching, instead of being performed directly, are controlled by the microprocessor.

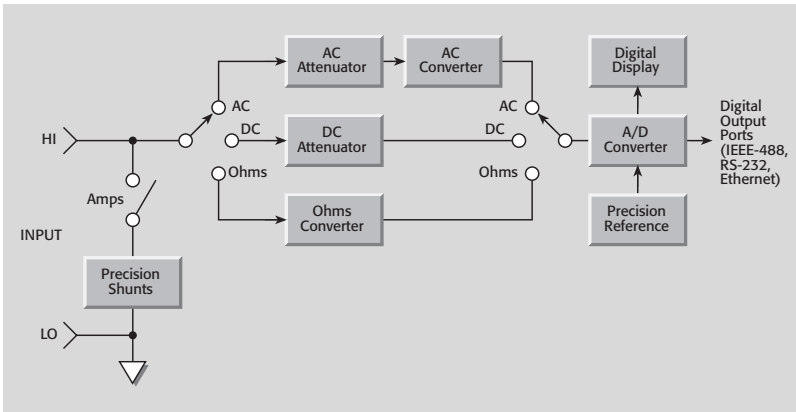
The microprocessor also controls the A/D converter and supervises all other operating aspects of the instrument. The input signal to the A/D converter is generally 0–2V DC. After conversion, the digital data is sent to the display and to the digital output port (IEEE-488 or RS-232).

Digital Multimeters (DMMs)

Most DMMs include five measurement functions: DC volts, AC volts, ohms, DC amps, and AC amps. As shown in **Figure 1-27**, various signal processing circuits are used to convert the input signal into a DC voltage that can be converted to digital information by the A/D converter.

The DC and AC attenuator circuits provide ranging for the AC and DC functions. The AC converter changes AC signals to DC, while the ohms con-

FIGURE 1-27: DMM Block Diagram



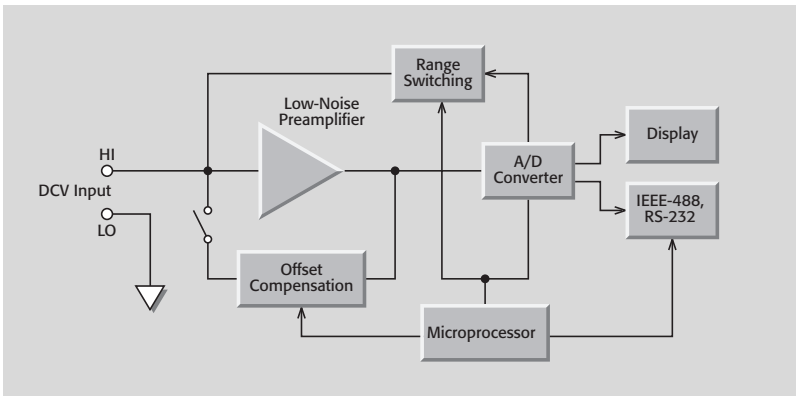
verter provides a DC analog signal for resistance measurements. Precision shunts are used to convert currents to voltages for the amps functions.

Once the input signal is appropriately processed, it's converted to digital information by the A/D converter. Digital data is then sent to the display and to the digital output port (IEEE-488, RS-232, or Ethernet).

Nanovoltmeters

A nanovoltmeter is a sensitive voltmeter optimized to measure very low voltages. As shown in **Figure 1-28**, the nanovoltmeter incorporates a low noise preamplifier, which amplifies the signal to a level suitable for A/D conversion (typically 2–3V full scale). Specially designed preamplifier circuits ensure that unwanted noise, thermoelectric EMFs, and offsets are kept to an absolute minimum.

FIGURE 1-28: Typical Nanovoltmeter



In order to cancel internal offsets, an offset or drift compensation circuit allows the preamplifier offset voltage to be measured during specific phases of the measurement cycle. The resulting offset voltage is subsequently subtracted from the measured signal to maximize measurement accuracy.

Once the preamplifier amplifies the signal, it's converted to digital information by the A/D converter. Digital data is then sent to the display and the IEEE-488 interface.

SMUs

The SMU provides four functions in one instrument: measure voltage, measure current, source voltage and source current. Generally, such instruments can simultaneously source voltage and measure current or simultaneously source current and measure voltage.

When configured to Source I and Measure V (as shown in **Figure 1-29**), the SMU will function as a high impedance current source with voltage measure (and voltage limit) capability.

Selecting either local or remote sense determines where the voltage measurement will be made. In local sense, the voltage is measured at the output of the SMU. In remote sense, the voltage is measured at the device under test, eliminating any voltage drops due to lead resistance.

The driven guard ($\times 1$ Buffer) ensures that the Guard and Output HI terminals are always at the same potential. Proper use of Guard virtually eliminates leakage paths in the cable, test fixture, and connectors. When configured to Source V and Measure I (as shown in **Figure 1-30**), the SMU will function as a low impedance voltage source with current measure (and current limit) capability.

SourceMeter Instrument

Like an SMU, a SourceMeter instrument can source current, source voltage, measure current and measure voltage. However, the SourceMeter instrument also has a sixth terminal, guard sense, which allows making more accurate measurements of networks. When configured to source current as shown in **Figure 1-31**, the SourceMeter unit functions as a high impedance current source with voltage limit capability and it can measure current, voltage, or resistance.

For voltage measurements, the sense selection (two-wire local or four-wire remote) determines where the measurement is made. In local sense, voltage is measured at the IN/OUT terminals of the instrument. In four-wire remote sense, voltage is measured directly at the device under test using the Sense terminals. This eliminates any voltage drops due to lead resistance.

When configured to source voltage as shown in **Figure 1-32**, the SourceMeter instrument functions as a low impedance voltage source with current limit capability and it can measure current, voltage, or resistance.

FIGURE 1-29: Source I Mode of SMU

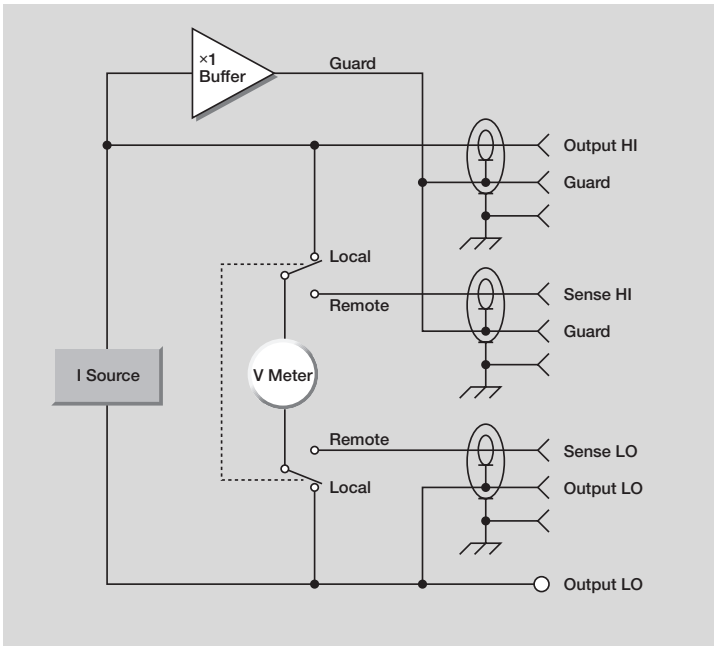
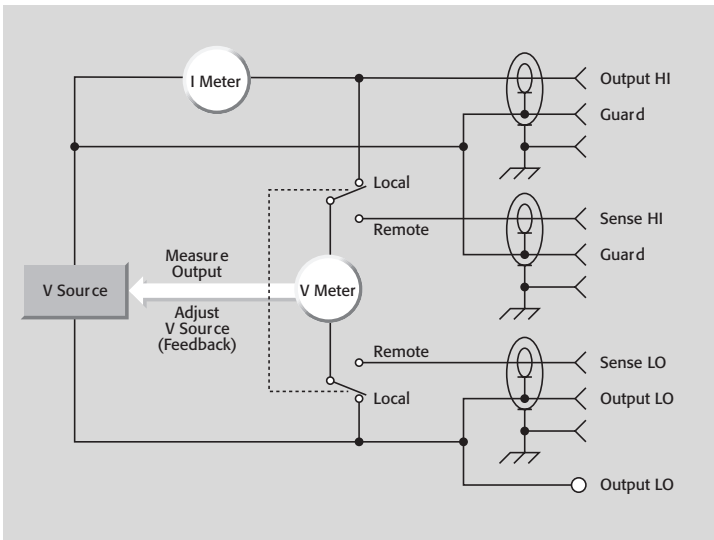


FIGURE 1-30: Source V Mode of SMU



SECTION 2

Measurements from
High Resistance
Sources

2.1 Introduction

As described in Section 1 of this handbook, measurements made from high resistance sources include low DC voltage, low DC current, high resistance, and charge measurements. The instruments used to make these high impedance measurements include electrometers, picoammeters, and source-measure units (SMUs). While Section 1 described the basic circuits of these instruments and their measurement functions, Section 2 offers more detailed information about these functions, various interferences and error sources, and ways to maximize the accuracy of measurements made from high resistance sources. For easier reference, the information in Section 2 is organized into these subsections:

- 2.2 High Impedance Voltage Measurements: A discussion of loading errors and the use of guarding to minimize these errors, as well as information on insulating materials used for making high impedance measurements.
- 2.3 Low Current Measurements: Information about making successful low current measurements is described with such topics as leakage current and guarding, noise and source impedance, zero drift, generated currents, voltage burden, overload protection, and using a coulombmeter to measure low current.
- 2.4 High Resistance Measurements: Describes the constant-voltage and constant-current methods for measuring high resistance. It also includes information on high valued resistors.
- 2.5 Charge Measurements: A discussion of the error sources and ways to minimize them, zero check, and extending the range of the charge function.
- 2.6 General Electrometer Considerations: A discussion of techniques and error sources that affect high impedance measurements in general. Some of the topics include measurement connections, electrostatic interference and shielding, environmental factors, speed considerations, etc.

2.2 Voltage Measurements from High Resistance Sources

Measurements from voltage sources with high internal resistance are subject to a number of errors, such as loading errors from the voltmeter's input resistance and input bias current, as well as from external shunt resistance and capacitance. The following paragraphs discuss these error sources and ways to minimize their effects. For a discussion of errors due to improper connections and electrostatic interference, see Section 2.6.

2.2.1 Loading Errors and Guarding

Input Resistance Loading

Voltage measurements from high resistance sources are subject to loading errors from the meter input resistance, as well as the leakage resistance of

the connecting cable. A practical voltmeter may be represented by an ideal infinite input-resistance voltmeter (V_M) in parallel with a resistor equal to the specified input resistance (R_{IN}), as shown in **Figure 2-1**. When a source whose Thevenin equivalent is V_S in series with R_S is connected to the input, the voltage (V_M) appearing across the meter input terminals is reduced by the voltage divider action of R_S and R_{IN} as follows:

$$V_M = V_S \left(\frac{R_{IN}}{R_S + R_{IN}} \right)$$

For example, assume $R_S = 100\text{k}\Omega$ and $R_{IN} = 10\text{M}\Omega$. If $V_S = 5\text{V}$, the actual voltage measured by the meter is:

$$V_M = 5 \left(\frac{10^7}{10^5 + 10^7} \right)$$

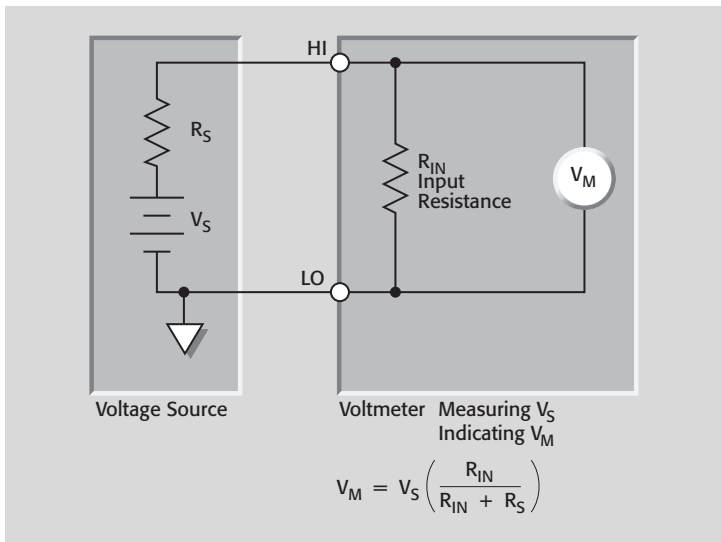
$$V_M = 4.95\text{V}$$

Thus, input resistance loading would result in an error of 1% in this example.

The meter input resistance should be much higher than the source resistance. For example, if the desired accuracy is 1%, then the meter resistance must be more than 100 times the source resistance. For higher accuracy, this ratio must be correspondingly higher.

The connecting cable ordinarily isn't a factor, but with very high source resistances ($>10\text{G}\Omega$) or under extreme environmental conditions, it can

FIGURE 2-1: Effects of Input Resistance Loading on Voltage Measurement Accuracy



cause significant loading errors. It may be possible to guard the cable and thus reduce its loading on the measurement. This is discussed in the paragraphs on Shunt Resistance Loading and Guarding.

Input Bias Current Loading

Another consideration when measuring voltages from high resistance sources is the input bias current of the voltmeter. The input bias current flows at the instrument input due to internal instrument circuitry and the internal bias voltage. As shown in **Figure 2-2**, the input bias current (I_{BIAS}) develops an error voltage across the source resistance (R_S). Thus, the actual measured voltage (V_M) differs from the source voltage (V_S) as follows:

$$V_M = V_S \pm I_{OFFSET}R_S$$

For example, assume the following parameters:

$$I_{OFFSET} = 1\text{pA} \quad R_S = 10\text{G}\Omega \quad V_S = 10\text{V}$$

The actual voltage measured by the meter is:

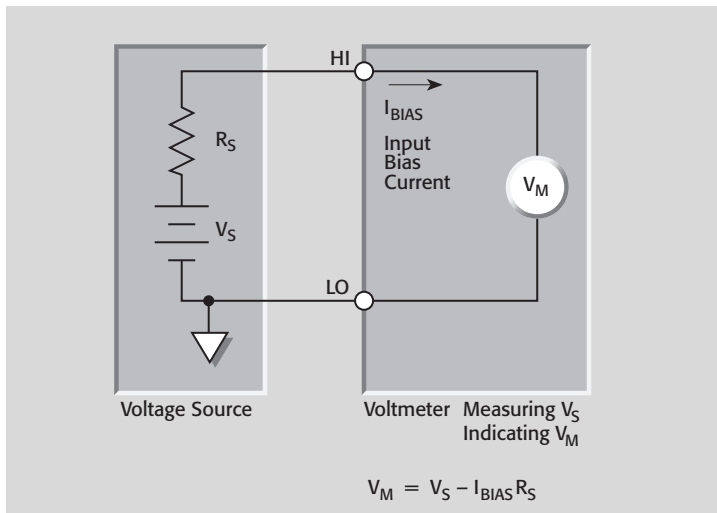
$$V_M = 10 \pm (10^{-12} \cdot 10^{10})$$

$$V_M = 10 \pm 0.01$$

$$V_M = 9.99\text{V or } 10.01\text{V (depending on the offset current polarity)}$$

Thus, the error caused by input offset current would be about 0.1% in this example.

Figure 2-2: Effects of Input Bias Current on Voltage Measurement Accuracy



DMMs and nanovoltmeters have bias currents from 1pA to 1nA, although DMM bias currents are not always specified. Electrometers are

known for their low input bias current, which is usually a few femtoamps. Picoammeters and SMUs also have very low input bias currents, although usually not as low as an electrometer's.

Although input bias current is a common source of this type of error, currents generated by external circuits can also result in errors due to voltage drops across the source resistance. Typical sources of such offset currents are insulators and cables.

Shunt Resistance Loading and Guarding

External shunt resistances, such as leaky cables and dirty insulators, may also cause loading errors.

Any external shunt resistance across the voltage source will attenuate the measured voltage, as shown in **Figure 2-3**. As in the case of input resistance voltage loading, the shunt resistance (R_{SHUNT}) and the source resistance (R_S) form a voltage divider that reduces the measured voltage (V_M) as follows:

$$V_M = V_S \left(\frac{R_{SHUNT}}{R_{SHUNT} + R_S} \right)$$

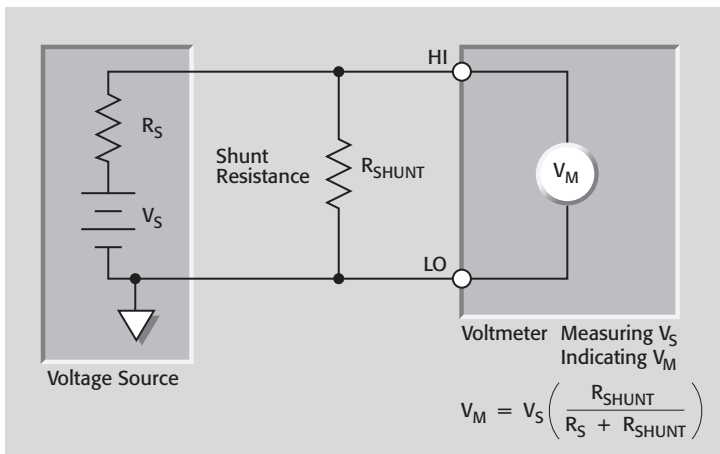
For example, assume $R_S = 10G\Omega$ and $R_{SHUNT} = 100G\Omega$. If V_S has a value of 10V, the measured voltage (V_M) is:

$$V_M = 10 \left(\frac{10^{11}}{10^{11} + 10^{10}} \right)$$

$$V_M = 9.09V$$

In this instance, the error due to shunt loading is approximately 9%.

FIGURE 2-3: Effects of Shunt Resistance on Voltage Measurement Accuracy

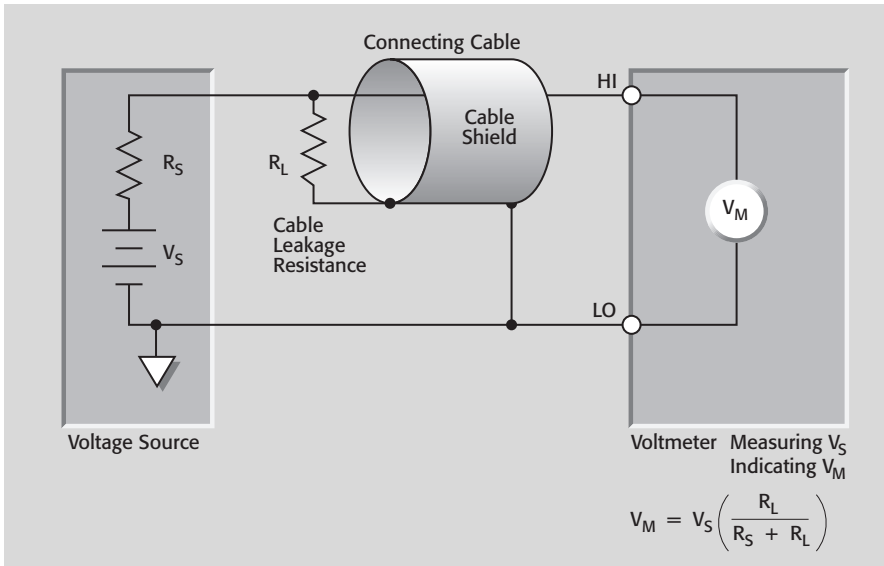


Cable leakage resistance is a common source of shunt resistance loading, as shown in **Figure 2-4**. In this case, the measured voltage (V_M) is attenuated by the voltage divider formed by R_S and the cable resistance (R_L):

$$V_M = V_S \left(\frac{R_L}{R_S + R_L} \right)$$

To reduce errors due to shunt resistance, use cables, connectors, and test fixturing with the highest possible insulation resistance. In addition, the use of guarding will eliminate any residual errors.

FIGURE 2-4: Effect of Cable Leakage Resistance on Voltage Measurement Accuracy

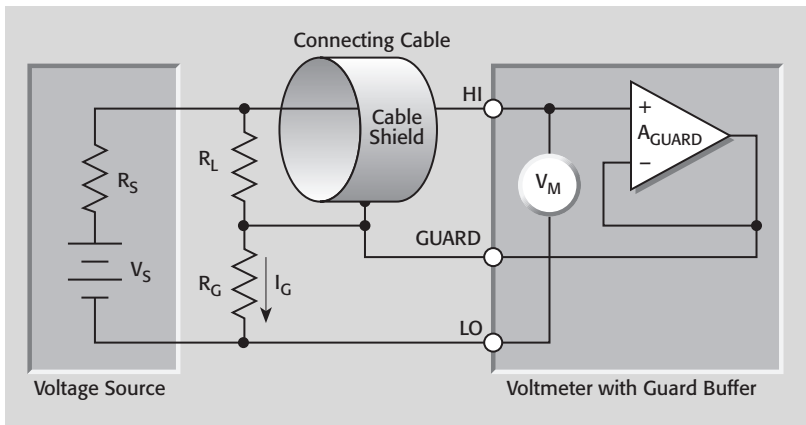


The error due to cable leakage can be greatly reduced by the use of guarding, as shown in **Figure 2-5**. In the guarded configuration, the cable shield is now connected to the output of the guard buffer instead of the meter LO terminal. R_G represents the resistance from the cable shield to meter LO, and I_G is the current through R_G as a result of driving the shield to the same potential as the input HI terminal. This current is supplied by the guard buffer, not the voltage source. Since the voltage across R_L is now many decades lower, the leakage current will be negligible in most cases.

By definition, a guard is a low impedance point in the circuit that's at nearly the same potential as the high impedance input terminal.

In modern electrometers, the preamplifier output terminal is such a point, and can be used to reduce the effect of cable leakage, as shown in **Figure 2-5**. An additional benefit is that the effective cable capacitance is

FIGURE 2-5: Guarded Configuration



also reduced, making the response speed of the circuit much faster. This is discussed in detail in the paragraphs on Shunt Capacitance Loading and Guarding.

The source-measure unit (SMU) can also be used to measure voltages from a high resistance source and the Guard terminal will make a similar improvement.

The circuit of the electrometer when used as a voltmeter is actually as shown in **Figure 2-6**. The guard amplifier is a unity-gain amplifier with very high input impedance. The open-loop gain, A_{GUARD} , ranges from 10^4 to 10^6 . The leakage resistance (R_L) is multiplied by this gain and the measured voltage becomes:

$$V_M = V_S \left(\frac{A_{\text{GUARD}} R_L}{R_S + A_{\text{GUARD}} R_L} \right)$$

Example: Assume R_S has a value of $10\text{G}\Omega$ and R_L is $100\text{G}\Omega$. If we assume a mid-range value of 10^5 for A_{GUARD} and a value of 10V for V_S , the voltage measured by the meter is:

$$V_M = 10 \left(\frac{10^{16}}{1.000001 \times 10^{16}} \right)$$

$$V_M = 9.99999\text{V}$$

Thus, we see the loading error with guarding is less than 0.001%. In contrast, the unguarded error voltage with this combination of source and shunt resistances would be about 9%.

Shunt Capacitance Loading and Guarding

The settling time of a voltage measurement depends both on the equivalent source resistance and the effective capacitance at the input of the voltmeter;

FIGURE 2-6: Guarding Leakage Resistance

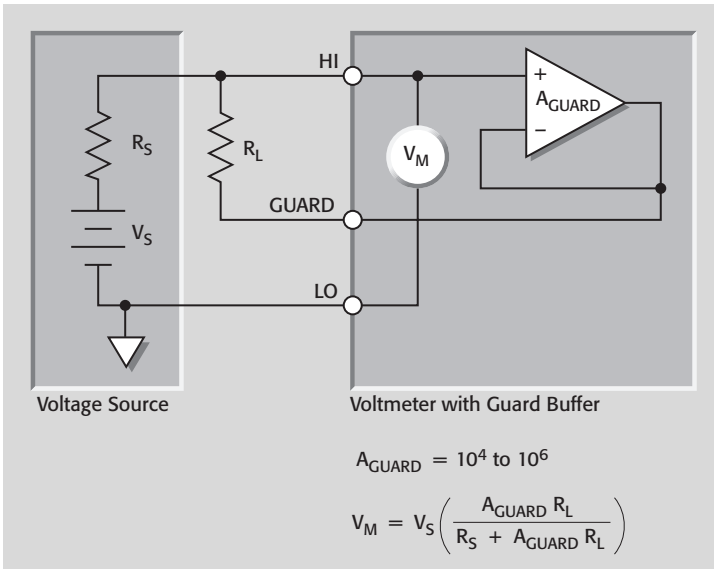
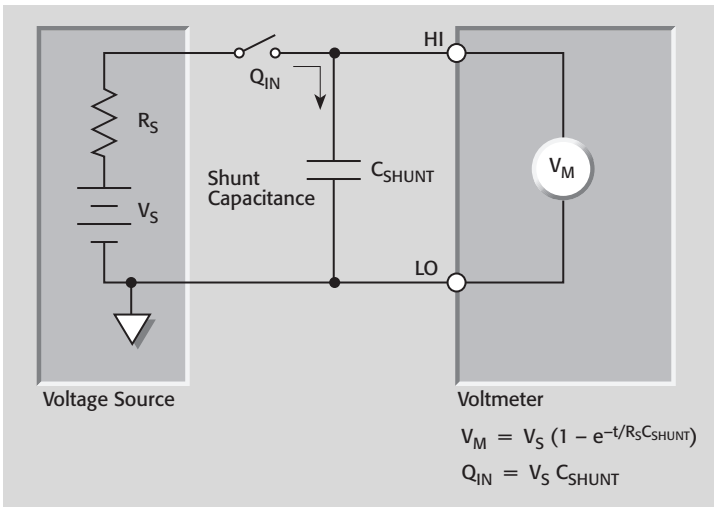


FIGURE 2-7: Shunt Capacitance Loading



this input capacitance consists of the meter input capacitance in parallel with the input cable capacitance. Even a small amount of shunt capacitance can result in long settling times if the source resistance is high. For example, a shunt capacitance of 100pF (including the input cable) and a source resistance of 20GΩ will result in an RC time constant of two seconds. Ten seconds must be allowed for the measurement to settle to within 1% of the final value.

Figure 2-7 demonstrates the effects of shunt capacitance loading on the input of a typical high impedance voltmeter. The signal source is represented by V_S and R_S , the shunt capacitance is C_{SHUNT} , and the measured voltage is V_M . Initially, the switch is open, and C_{SHUNT} holds zero charge.

When the switch is closed, the source voltage (V_S) is applied to the input, but the measured voltage across C_{SHUNT} doesn't rise instantaneously to its final value. Instead, the voltage rises exponentially as follows:

$$V_M = V_S (1 - e^{-t/R_S C_{SHUNT}})$$

Also, the charge (Q_{IN}) transferred to the capacitor is:

$$Q_{IN} = V_S C_{SHUNT}$$

The charging of C_{SHUNT} yields the familiar exponential curve shown in **Figure 2-8**. After one time constant ($\tau = RC$), the measured voltage rises to within 63% of its final value; final values for various time constants are summarized in **Table 2-1**.

FIGURE 2-8: Exponential Response of Voltage Across Shunt Capacitance

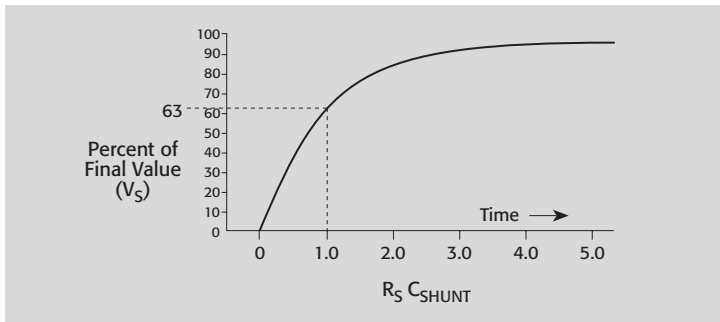


TABLE 2-1: Settling Times to Percent of Final Value

Time Constant (τ^*)	Percent of Final Value
1	63 %
2	86 %
3	95 %
4	98 %
5	99.3 %

* $\tau = RC$, where R = resistance (ohms), C = capacitance (farads)

Example: Assume $R_S = 10G\Omega$ and $C_{SHUNT} = 100pF$. This combination results in an RC time constant of one second. Thus, it would take five seconds for the circuit to settle to within less than 1% of final value. With a 10V change in V_S , a total of 1nC of charge would be transferred to C_{SHUNT} .

While the primary advantage of guarding is a reduction in the effects of shunt resistance, another important aspect is the reduction in the effects of shunt capacitance. As shown in **Figure 2-9**, the guard buffer significantly reduces the charging time of C_{SHUNT} because of the open-loop gain (A_{GUARD}), which is typically 10^4 to 10^6 .

With guarding, the rise time of the measured voltage (V_M) now becomes:

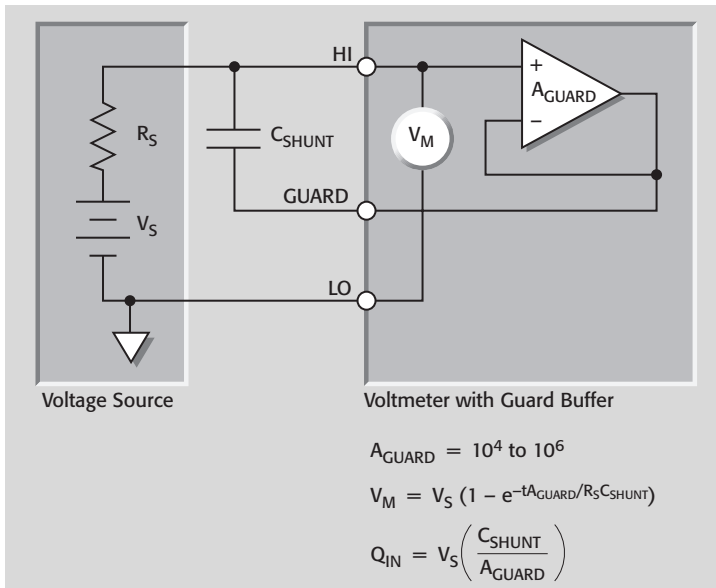
$$V_M = V_S (1 - e^{-tA_{GUARD}/R_S C_{SHUNT}})$$

and the charge transferred to C_{SHUNT} is:

$$Q_{IN} = \left(\frac{V_S C_{SHUNT}}{A_{GUARD}} \right)$$

Example: Assume $R_S = 10G\Omega$ and $C_{SHUNT} = 100pF$, as in the unguarded example given previously. With a nominal value of 10^5 for A_{GUARD} , we can see the guarded RC settling time is reduced to approximately $5s/10^5 = 50\mu s$, an insignificant period of time compared to the time it typically takes an instrument to process a single reading. Note that with a 10V change in V_S , the charge transferred (Q_{IN}) is only 10fC, a reduction of $10^5:1$.

FIGURE 2-9: Guarding Shunt Capacitance



2.2.2 Insulation Resistance

Electrometers and some SMUs as voltmeters are characterized by high input resistance. High resistance insulation in the test circuits is one of the first requirements of making successful electrometer measurements. Thus, a knowledge of the various types of insulating materials and how to apply them properly is important. To measure voltages from high resistance sources accurately, the insulation leakage resistance of the test fixtures, test leads, and measuring voltmeter must be several orders of magnitude higher than the Thevenin equivalent resistance of the circuit under test, depending on the number of decades of precision, resolution, or accuracy required. If the insulation resistances aren't decades higher, the shunting effects of the insulation will reduce the source voltage being measured, as discussed previously.

Detecting inferior insulation in test setups is difficult because the erroneous reading can appear well-behaved and steady. Therefore, it's prudent to measure the insulation resistance of the test fixtures and cables periodically with an electrometer ohmmeter to ensure their integrity. If deficiencies are discovered, either cleaning or replacement of the defective insulator is in order.

Choosing the Best Insulator

In evaluating an insulating material, consider these material properties:

- **Volume resistivity:** leakage of current directly through the material.
- **Surface resistivity:** leakage across the surface, a function primarily of surface contaminants.
- **Water absorption:** leakage dependent on the amount of water that has been absorbed by the insulator.
- **Piezoelectric or stored charge effects:** the creation of charge unbalances (and thus current flow or voltage shift) due to mechanical stress.
- **Triboelectric effects:** the creation of charge unbalance due to frictional effects when materials rub against each other.
- **Dielectric absorption:** the tendency of an insulator to store/release charge over long periods.

Table 2-2 summarizes important characteristics of insulators, while **Figure 2-10** shows their resistivity ranges. Insulator characteristics are described further in the following paragraphs.

Teflon®

Teflon is the most satisfactory and commonly used insulator for the impedance levels encountered in measurements of currents greater than 10^{-14} A. It has high volume resistivity and water vapor films don't form readily on its surface. Its insulating properties, therefore, aren't severely impaired by humid air. Teflon is chemically inert, is easily machined, and can be readily

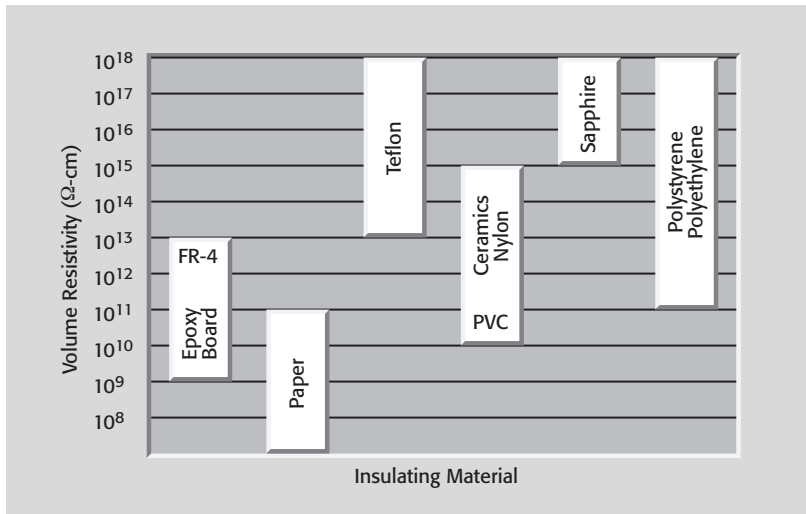
TABLE 2-2: Properties of Various Insulating Materials

Material	PROPERTY				
	Volume Resistivity (Ohm-cm)	Resistance to Water Absorption	Minimal Piezoelectric Effects ¹	Minimal Triboelectric Effects	Minimal Dielectric Absorption
Sapphire	> 10 ¹⁸	+	+	0	+
Teflon® PTFE	>10 ¹⁸	+	-	-	+
Polyethylene	10 ¹⁶	0	+	0	+
Polystyrene	>10 ¹⁶	0	0	-	+
Kel-F®	>10 ¹⁸	+	0	-	0
Ceramic	10 ¹⁴ -10 ¹⁵	-	0	+	+
Nylon	10 ¹³ -10 ¹⁴	-	0	-	-
Glass Epoxy	10 ¹³	-	0	-	-
PVC	5 × 10 ¹³	+	0	0	-

KEY: + Material very good in regard to the property.
 0 Material moderately good in regard to the property.
 - Material weak in regard to the property.

¹ Stored charge effects in non-piezoelectric insulators.

FIGURE 2-10: Approximate Resistivity of Various Insulating Materials



cleaned. Teflon PTFE is the type of Teflon most commonly used in electronics.

Teflon's principal shortcoming is that charges appear internally when it's deformed, causing spurious voltages and currents. With ordinary care, however, these characteristics aren't serious for currents greater than 10^{-15} A.

Polystyrene

Polystyrene is much less expensive than Teflon, and was the general purpose standard before Teflon was available. It machines easily, but internal crazing often develops. This characteristic doesn't impair its insulating properties unless the cracks reach the surface. The volume resistivity of polystyrene is similar to that of Teflon, but water vapor films form on its surface when humidity becomes high, significantly reducing its surface resistance.

Kel-F®

Kel-F has volume and surface characteristics nearly as good as Teflon, it machines easily, and it doesn't craze.

Polyethylene

Polyethylene has excellent volume resistivity and surface characteristics similar to polystyrene. Because it's flexible, it's used extensively for insulating coaxial and triaxial cable. These cables are excellent for general-purpose electrometer work because the surface leakage in this application is relatively unimportant. However, polyethylene melts at a relatively low temperature, so leads into ovens should use Teflon insulation rather than polyethylene.

Glass and Ceramics

Glass and ceramics also have high volume resistivity, but poor surface properties at high humidity and often-poor piezoelectric properties. Glass or ceramic cleaned with methanol and dipped in boiling paraffin has a good, but not durable, insulating surface. Various silicone varnishes can also be baked or air-dried onto glass or ceramic surfaces, but even after this treatment, handling can easily spoil the insulators. Glass and ceramics are difficult to machine, although they can be molded. They are used principally when their mechanical properties are mandatory.

Sapphire

Sapphire is one of the best insulators. Very little charge is generated in it when it's stressed mechanically. It's used most often in measuring currents in the 10^{-18} A to 10^{-15} A range. The use of sapphire is restricted by its cost and because the material is difficult to machine and form.

Quartz

Quartz has properties similar to sapphire, but considerably higher piezo-electric output, so it's rarely used in electrometer circuits.

Other Insulating Materials

Practically all other insulating materials have unacceptably low volume resistivity or unsatisfactory surface characteristics for electrometer use. Vinyl, nylon, and Lucite® are markedly inferior to Teflon, polystyrene, polyethylene, sapphire, or quartz.

Keeping Insulators Clean

As with any high resistance device, mishandling can destroy the integrity of insulators. Oils and salts from the skin can degrade insulator performance, and contaminants in the air can be deposited on the insulator surface, reducing its resistance. Therefore, insulator handling should be minimized; under no circumstances should the insulator be touched with the hand or with any material that might contaminate the surface.

If the insulator becomes contaminated, either through careless handling or from deposits, it can be cleaned with a foam tipped swab dipped in methanol. After cleaning, the insulator should be allowed to dry for several hours at low humidity before use or be dried using dry nitrogen.

2.3 Low Current Measurements

A number of error sources can have serious impacts on low current measurement accuracy. For example, the ammeter may cause measurement errors if not connected properly. (Refer to Sections 2.6.1 and 2.6.2 for more information on how to make properly shielded connections.) The ammeter's voltage burden and input offset current may also affect measurement accuracy. The source resistance of the device under test will affect the noise performance of a feedback ammeter. External sources of error can include leakage current from cables and fixtures, as well as currents generated by triboelectric or piezoelectric effects. Section 2.3 addresses low current measurement considerations in detail and outlines methods for minimizing the effects of error sources. It also includes information on using the electrometer's coulomb function to make very low current measurements.

2.3.1 Leakage Currents and Guarding

Leakage currents are generated by stray resistance paths between the measurement circuit and nearby voltage sources. These currents can degrade the accuracy of low current measurements considerably. To reduce leakage currents, use good quality insulators, reduce the level of humidity in the test environment, and use guarding. Guarding will also reduce the effect of shunt capacitance in the measurement circuit.

Using good quality insulators when building the test circuit is one way to reduce leakage currents. Teflon, polyethylene, and sapphire are examples

of good quality insulators, but avoid materials like phenolics and nylon. Refer to Section 2.2.2 for further discussion on choosing the best insulating materials.

Humidity may also degrade low current measurements. Different types of insulators will absorb varying amounts of water from the air, so it's best to choose an insulator on which water vapor doesn't readily form a continuous film. Sometimes, this is unavoidable if the material being measured absorbs water easily, so it's best to make the measurements in an environmentally controlled room. In some cases, an insulator may have ionic contaminants, which can generate a spurious current, especially in high humidity.

Guarding is a very effective way to reduce leakage currents. A guard is a low impedance point in the circuit that's at nearly the same potential as the high impedance lead being guarded. The guard on the electrometer ammeter and picoammeter differs from the guard on the SMU ammeter. The use of guarding can best be explained through examples.

The Use of Guarding Using an Electrometer Ammeter or Picoammeter

The guard terminal of the electrometer ammeter or picoammeter is the LO input terminal. The guard can be used to isolate the high impedance input lead of the ammeter from leakage current due to voltage sources. **Figures 2-11** and **2-12** illustrate examples of guarding.

Figure 2-11 illustrates guarding as applied to measuring the ion current (I_C) from an ionization chamber. An unguarded ionization chamber and the corresponding equivalent circuit are shown in **Figure 2-11a**. The equivalent circuit shows that the full bias voltage appears across the insulator leakage resistance (R_I), therefore, a leakage current (I_I) will be added to the measured ion current ($I_M = I_C + I_I$). The leakage resistance is due to the insulator of the ionization chamber and the coax cable.

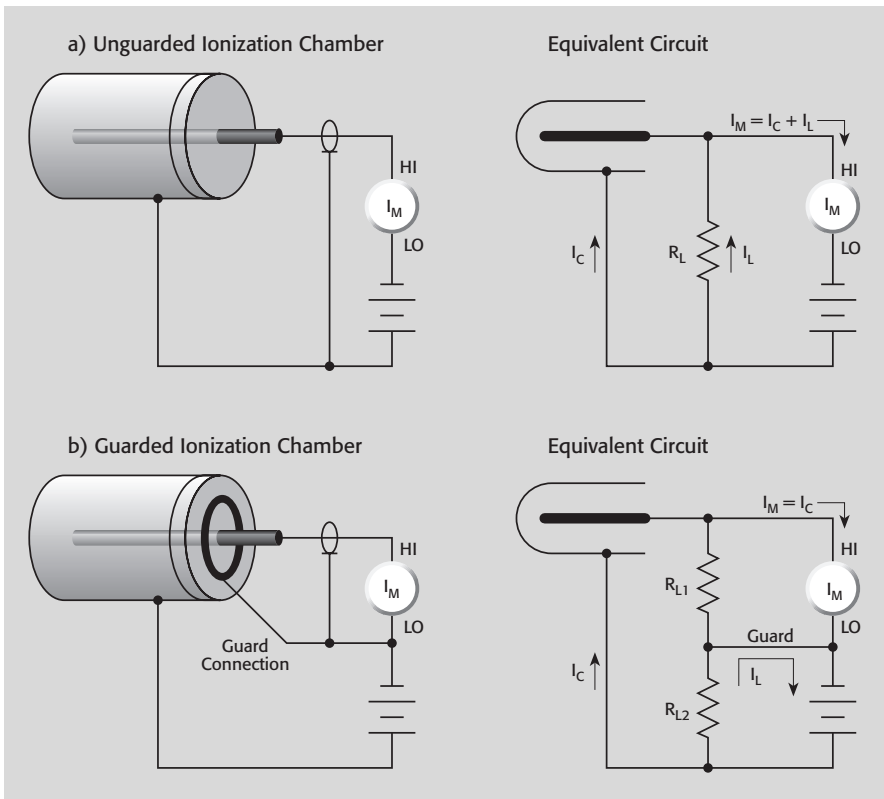
In **Figure 2-11b**, a metal guard ring is added to the ionization chamber. This guard circuit splits the leakage resistance into two parts. The voltage across R_{I1} is the picoammeter voltage burden, normally less than one millivolt, so the resulting current will be quite small. The full bias voltage appears across R_{I2} . A leakage current will flow around this loop, but won't affect the measurement.

Guarding may also be necessary to prevent leakage current due to test fixturing. **Figure 2-12** shows a high mega-ohm resistor (R_{DUT}) supported on two insulators mounted in a metal test fixture.

Figure 2-12a is the unguarded circuit. The leakage current (I_I) through the stand-off insulators will be added to the measured current (I_M).

As illustrated in **Figure 2-12b**, this circuit is guarded by connecting the LO of the picoammeter (I_M) to the metal mounting plate. This will put the bottom of the right insulator at almost the same potential as the top. The

FIGURE 2-11: Guarding as Applied to an Ionization Chamber



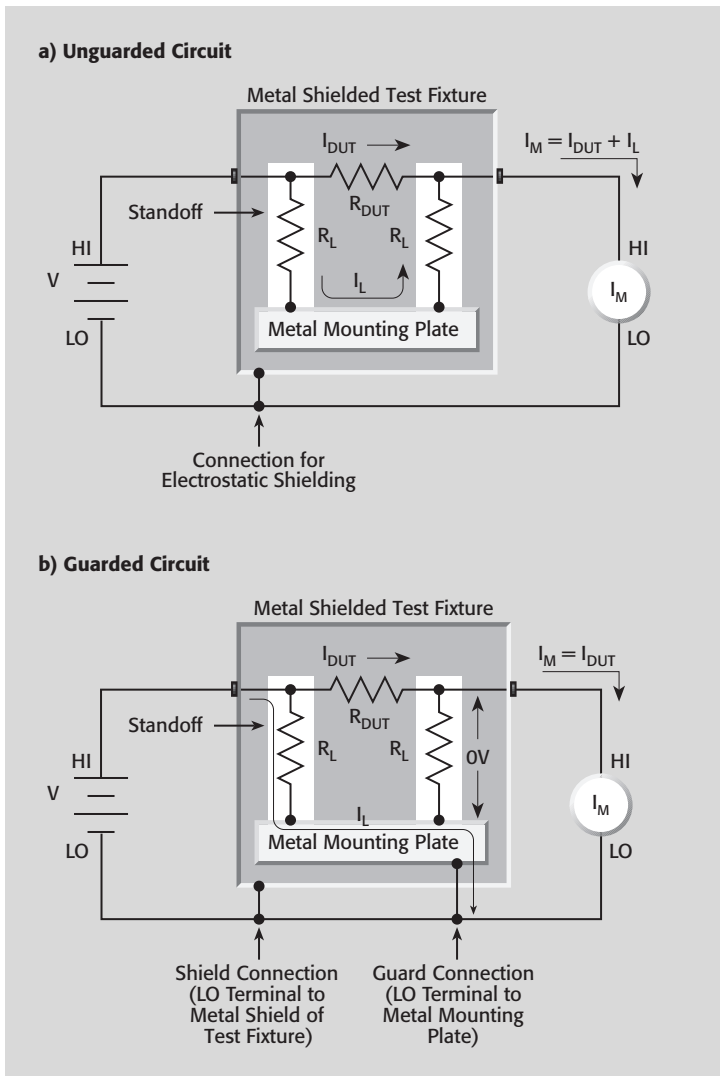
voltage difference is equal to the voltage burden of the picoammeter. The voltage burden is small, less than $200\mu\text{V}$. The top and bottom of the insulator are at nearly the same potential, so no significant current will flow through it, and nearly all the current from the device under test will flow through the ammeter as desired.

The Use of Guarding with an SMU Ammeter

The guard terminal of an SMU is usually the inside shield of the triax connector. This guard is driven by a unity-gain, low impedance amplifier. By definition, the guard terminal is nearly at the same potential as the high impedance terminal, so the guard terminal will be at the same potential as the magnitude of the voltage source.

Figure 2-13 illustrates how a driven guard prevents the leakage resistance of a cable from degrading the low current measurements. In the unguarded circuit of **Figure 2-13a**, the leakage resistance of the coax cable

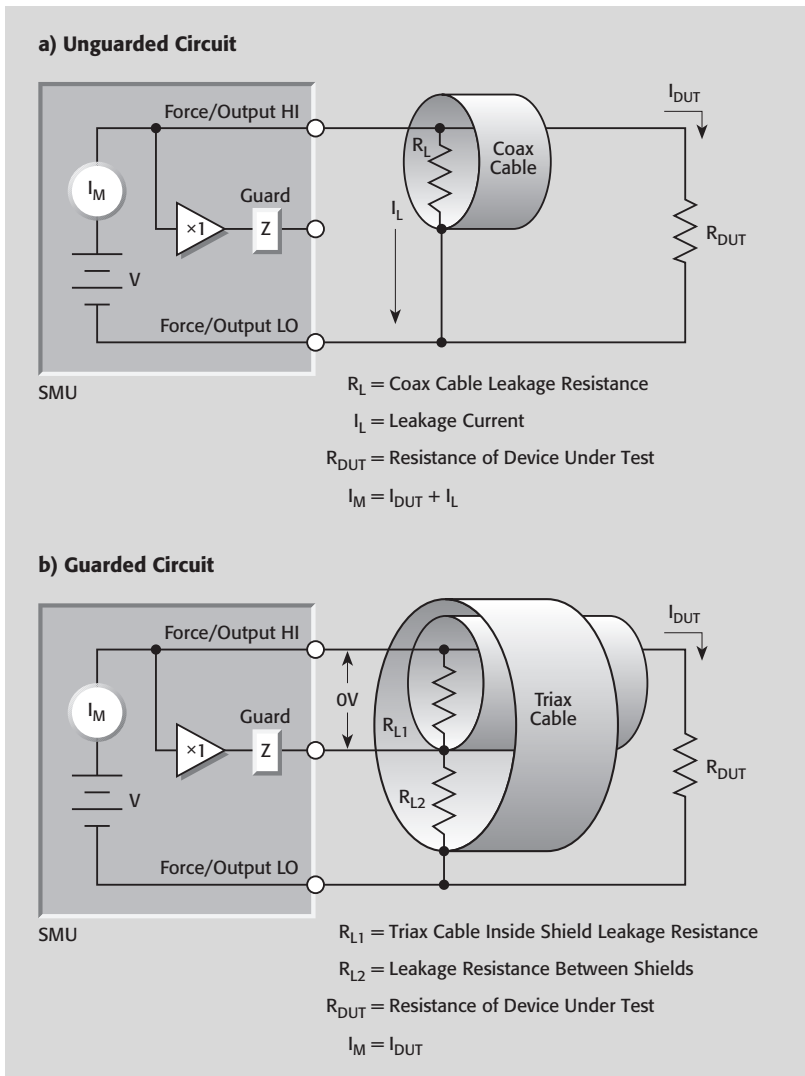
FIGURE 2-12: Guarding to Reduce Leakage Currents



is in parallel with the DUT (R_{DUT}), creating an unwanted leakage current (I_L). This leakage current will degrade very low current measurements.

In the guarded circuit shown in **Figure 2-13b**, the inside shield of the triax cable is connected to the guard terminal of the SMU. Now this shield is driven by a unity-gain, low impedance amplifier (Guard). The difference

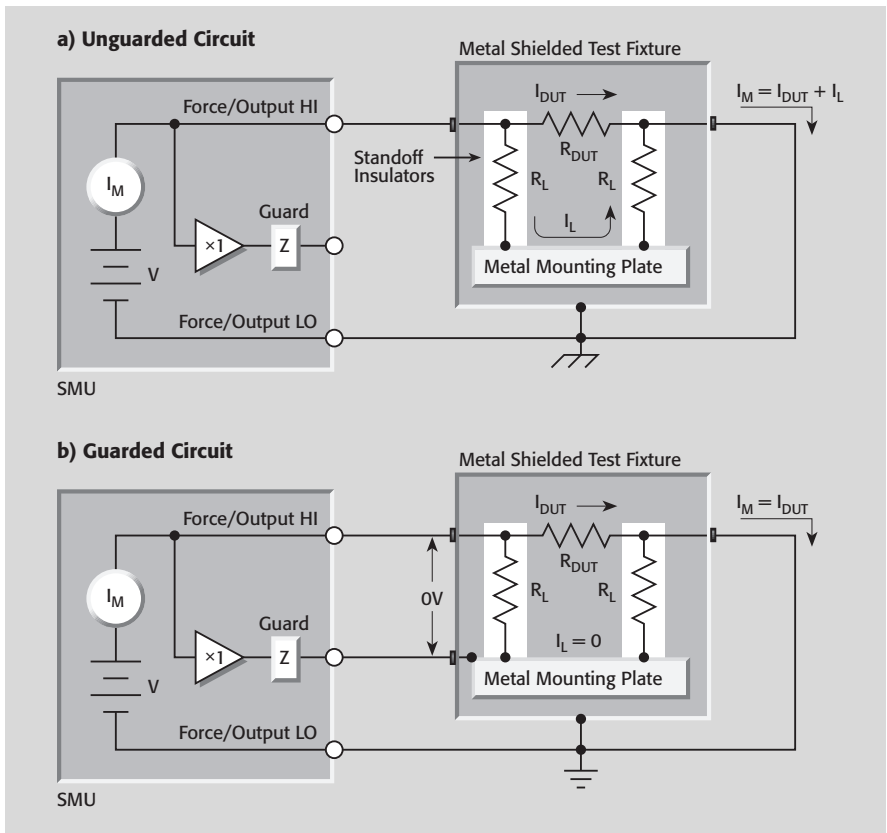
FIGURE 2-13: Guarding the Leakage Resistance of a Cable with an SMU



in potential between the Force/Output HI terminal and the Guard terminal is nearly 0V, so the leakage current (I_L) is eliminated.

Figure 2-14 shows how the guard can eliminate the leakage current that may flow through the stand-off insulators in a test fixture. In **Figure 2-14a**, leakage current (I_L) flows through the stand-off insulators (R_I). This

FIGURE 2-14: Test Fixture Guarding with an SMU



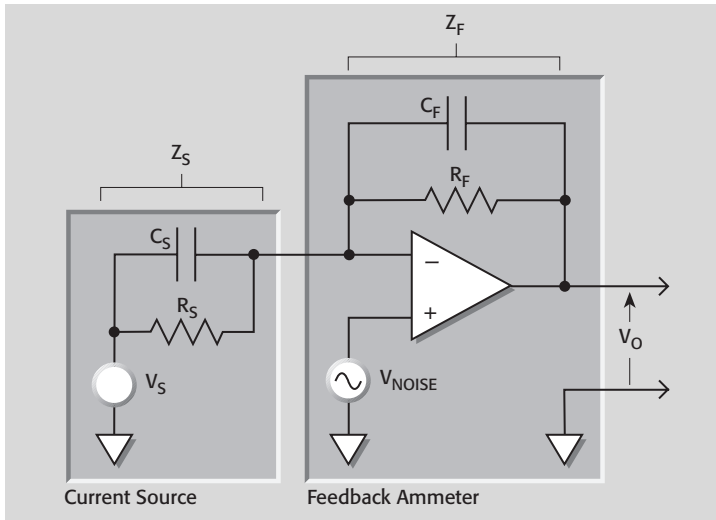
leakage current is added to the current from the DUT (I_{DUT}) and is measured by the SMU ammeter (I_M), adversely affecting the accuracy of the low current measurement.

In **Figure 2-14b**, the metal mounting plate is connected to the guard terminal of the SMU. The voltages at the top and the bottom of the stand-off insulator are nearly at the same potential (0V drop), so no leakage current will flow through the standoffs and affect the measurement accuracy. For safety purposes, the metal shield must be connected to earth ground because the metal mounting plate will be at the guard potential.

2.3.2 Noise and Source Impedance

Noise can seriously affect sensitive current measurements. This section discusses how source resistance and source capacitance affect noise performance.

FIGURE 2-15: Simplified Model of a Feedback Ammeter



Source Resistance

The source resistance of the DUT will affect the noise performance of a feedback ammeter. As the source resistance is reduced, the noise gain of the ammeter will increase.

Figure 2-15 shows a simplified model of a feedback ammeter. R_S and C_S represent the source resistance and source capacitance, V_S is the source voltage, and V_{NOISE} is the noise voltage of the ammeter. Finally, R_F and C_F are the feedback resistance and capacitance respectively.

The noise gain of the circuit can be given by the following equation:

$$\text{Output } V_{NOISE} = \text{Input } V_{NOISE} (1 + R_F/R_S)$$

Note that as R_S decreases in value, the output noise increases. For example, when $R_F = R_S$, the input noise is multiplied by a factor of two. Too low a source resistance can have a detrimental effect on noise performance, so there are usually minimum recommended source resistance values based on the measurement range. **Table 2-3** summarizes minimum recommended source resistance values for various measurement ranges for a typical feedback ammeter. Note that the recommended source resistance varies by measurement range because the R_F value also depends on the measurement range. Refer to the instruction manual for the instrument to be used for the appropriate minimum recommended source resistances.

TABLE 2-3: Minimum Recommended Source Resistance Values for a Typical Feedback Ammeter

Range	Minimum Recommended Source Resistance
pA	1 GΩ
nA	1 MΩ
μA	1 kΩ
mA	1 Ω

Source Capacitance

DUT source capacitance will also affect the noise performance of a feedback type ammeter. In general, as source capacitance increases, so does the noise gain.

To see how changes in source capacitance can affect noise gain, let's again refer to the simplified ammeter model in **Figure 2-15**. The elements of interest for this discussion are the source capacitance (C_S) and the feedback capacitance (C_F). Taking into account the capacitive reactance of these two elements, our previous noise gain formula must be modified as follows:

$$\text{Output } V_{\text{NOISE}} = \text{Input } V_{\text{NOISE}} (Z_F/Z_S)$$

Here, Z_F represents the feedback impedance made up of C_F and R_F , while Z_S is the source impedance formed by R_S and C_S . Furthermore,

$$Z_F = \frac{R_F}{\sqrt{(2\pi f R_F C_F)^2 + 1}}$$

and

$$Z_S = \frac{R_S}{\sqrt{(2\pi f R_S C_S)^2 + 1}}$$

Note that as C_S increases in value, Z_S *decreases* in value, thereby increasing the noise gain. Again, at the point where $Z_S = Z_F$, the input noise is amplified by a factor of two.

Most picoammeters will have a maximum recommended value for C_S . Although it is usually possible to measure at higher source capacitance values by inserting a resistor in series with the ammeter input, remember that any series resistance will increase the voltage burden by a factor of $I_{\text{IN}} \cdot R_{\text{SERIES}}$. Any series resistance will also increase the RC time constant of the measurement. A series diode, or two diodes in parallel back-to-back, can serve as a useful alternative to a series resistor for this purpose. The diodes can be small-signal types and should be in a light-tight enclosure. See Section 4.3.1 for a further discussion of the use of a series diode.

2.3.3 Zero Drift

Zero drift is a gradual change of the indicated zero offset with no input signal. Unless it's corrected by "zeroing," the resulting offset produces an error by adding to the input signal. Drift is normally specified as a function of

time and/or temperature. Zero offset over a time period and temperature range will stay within the specified limits. Offset due to step changes in temperatures may exceed the specification before settling. Typical room temperature rates of change (1°C/15 minutes) won't usually cause overshoot.

Most electrometers include a means to correct for zero drift. A ZERO CHECK switch is used to configure most electrometers and picoammeters to display any internal voltage offsets. This feature allows fast checking and adjustment of the amplifier zero. Typically, the instrument is zero corrected while zero check is enabled. This procedure may need to be performed periodically, depending on ambient conditions. Electrometers perform this function with the touch of a button or upon command from the computer.

In a picoammeter or electrometer ammeter, note that ZERO CHECK and ZERO CORRECT functions are used to correct for internal voltage offsets. SUPPRESS or REL controls are used to correct for external current offsets. For optimum accuracy, zero the instrument on the range to be used for measurement. Refer to Section 2.3.4 for a discussion of correcting for internal offset current.

2.3.4 Generated Currents

Any extraneous generated currents in the test system will add to the desired current, causing errors. Currents can be internally generated, as in the case of instrument input offset current, or they can come from external sources such as insulators and cables. The following paragraphs discuss the various types of generated currents.

Figure 2-16 summarizes the magnitudes of a number of generated currents discussed in this section.

Offset Currents

Offset currents can be generated within an instrument (input offset current) or can be generated from external circuitry (external offset current).

Input Offset Current

The ideal ammeter should read zero when its input terminals are left open. Practical ammeters, however, do have some small current that flows when the input is open. This current is known as the input offset current, and it's caused by bias currents of active devices as well as by leakage currents through insulators within the instrument. Offset currents generated within picoammeters, electrometers, and SMUs are included in the instrument's specifications. As shown in **Figure 2-17**, the input offset current adds to the measured current so the meter measures the sum of the two currents:

$$I_M = I_S + I_{\text{OFFSET}}$$

Input offset current can be determined by capping the input connector and selecting the lowest current range. Allow about five minutes for the instrument to settle, then take a reading. This value should be within the instrument's specification.

FIGURE 2-16: Typical Magnitudes of Generated Currents

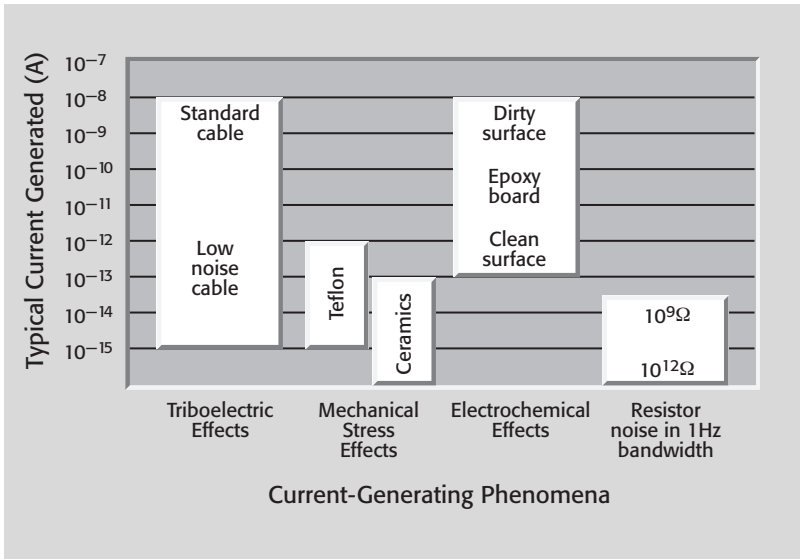
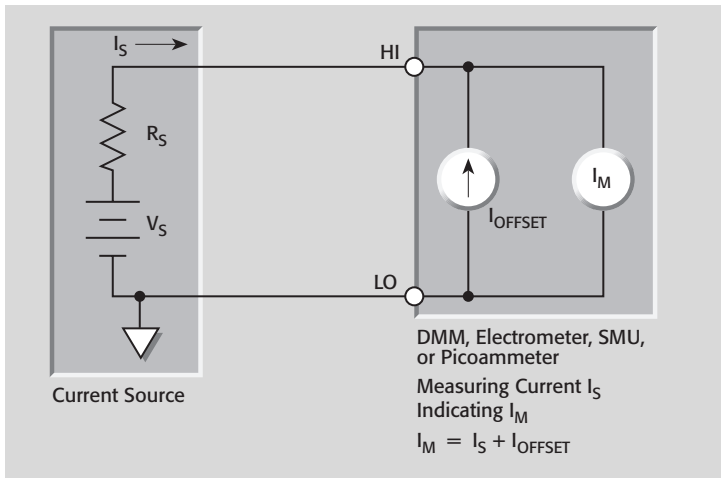


FIGURE 2-17: Effects of Input Offset Current on Current Measurement Accuracy



If an instrument has current suppression, the input offset current can be partially nulled by enabling the current suppress function with the input terminals disconnected and ZERO CHECK open.

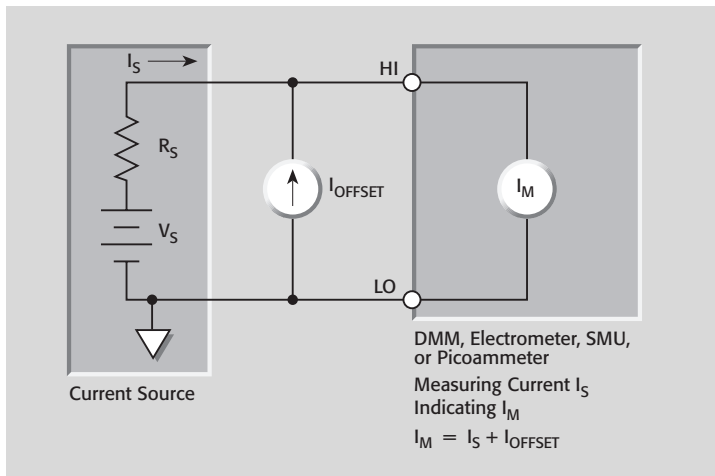
Another way to subtract the input offset current from measurements is to use the relative (REL or zero) function of the ammeter. With the input

open-circuited, allow the reading to settle and then enable the REL function. Once the REL value is established, subsequent readings will be the difference between the actual input value and the REL value.

External Offset Current

External offset currents can be generated by ionic contamination in the insulators connected to the ammeter. Offset currents can also be generated externally from such sources as triboelectric and piezoelectric effects. As shown in **Figure 2-18**, the external offset current also adds to the source current, and the meter again measures the sum of the two.

FIGURE 2-18: Effects of External Offset Current on Current Measurement Accuracy



External offset currents can be suppressed with the current suppression feature (if available) of the instrument or they can be nulled by using a suitably stable and quiet external current source, as shown in **Figure 2-19**. With this arrangement, the current measured by the meter is:

$$I_M = I_S + I_{\text{OFFSET}} - I_{\text{SUPPRESS}}$$

Assuming I_{OFFSET} and I_{SUPPRESS} are equal in magnitude but opposite in polarity,

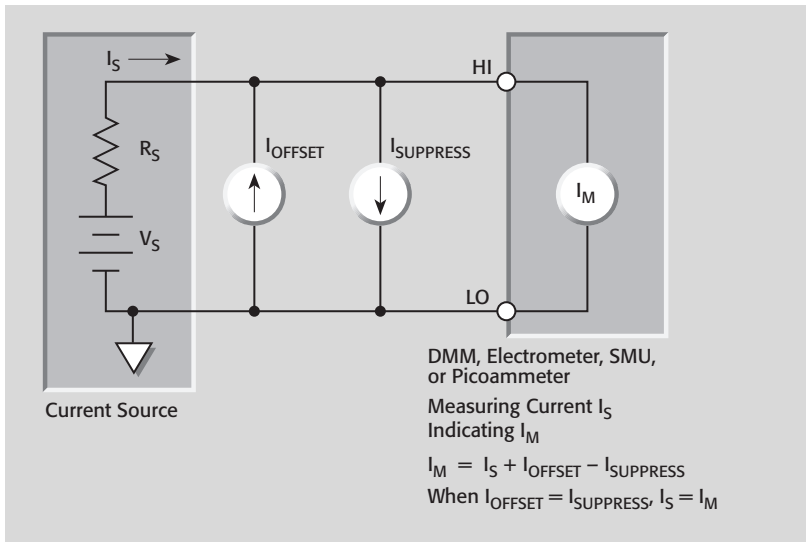
$$I_M = I_S$$

The advantage of using an external current source is that I_{OFFSET} can be as large or larger than the full-range value, and only $I_{\text{OFFSET}} - I_{\text{SUPPRESS}}$ need be small.

Triboelectric Effects

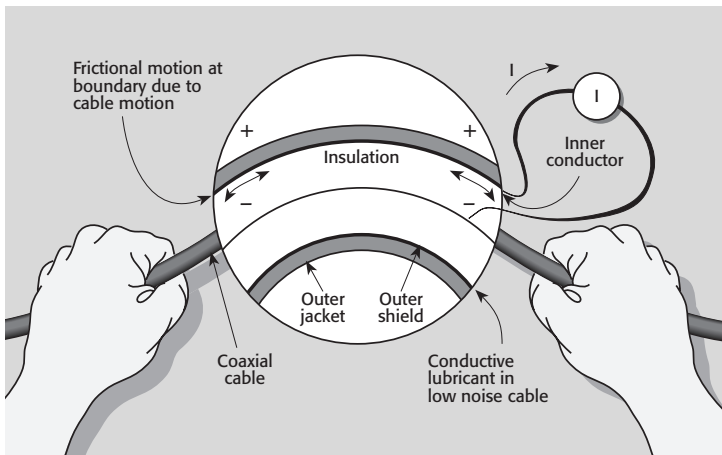
Triboelectric currents are generated by charges created between a conductor and an insulator due to friction. Here, free electrons rub off the con-

FIGURE 2-19: Using External Current Source to Suppress Offset Current



ductor and create a charge imbalance that causes the current flow. A typical example would be electrical currents generated by insulators and conductors rubbing together in a coaxial cable, as shown in **Figure 2-20**.

FIGURE 2-20: Triboelectric Effect



“Low noise” cable greatly reduces this effect. It typically uses an inner insulator of polyethylene coated with graphite underneath the outer shield. The graphite provides lubrication and a conducting equipotential cylinder

to equalize charges and minimize charge generated by frictional effects of cable movement. However, even low noise cable creates some noise when subjected to vibration and expansion or contraction, so all connections should be kept short, away from temperature changes (which would create thermal expansion forces), and preferably supported by taping or tying the cable to a non-vibrating surface such as a wall, bench, or other rigid structure.

There are a variety of other solutions to movement and vibration problems:

- Removal or mechanical decoupling of the source of vibration. Motors, pumps, and other electromechanical devices are the usual sources.
- Stabilization of the test hookup. Securely mount or tie down electronic components, wires, and cables. Shielding should be sturdy.

Triboelectric effects can also occur in other insulators and conductors that touch each other. Therefore, it's important to minimize contact between insulators as well as conductors in constructing test fixtures and connections for low current and high impedance.

Table 2-2 in Section 2.2.2 summarizes the triboelectric effects of various insulating materials.

Piezoelectric and Stored Charge Effects

Piezoelectric currents are generated when mechanical stress is applied to certain crystalline materials when used for insulated terminals and interconnecting hardware. In some plastics, pockets of stored charge cause the material to behave in a manner similar to piezoelectric materials. An example of a terminal with a piezoelectric insulator is shown in **Figure 2-21**.

To minimize the current due to this effect, it's important to remove mechanical stresses from the insulator and use insulating materials with minimal piezoelectric and stored charge effects. Section 2.2.2 and **Table 2-2** summarize the piezoelectric properties of various insulating materials.

This effect is independent of the capacitance change between the plate and terminals. Charges are moved around, resulting in current flow.

In practice, it may be quite difficult to distinguish stored charge effects (in insulators) from piezoelectric effects. Regardless of the phenomenon involved, it's important to choose good insulating materials and make connecting structures as rigid as possible.

Contamination and Humidity

Error currents also arise from electrochemical effects when ionic chemicals create weak batteries between two conductors on a circuit board. For example, commonly used epoxy printed circuit boards, when not thoroughly cleaned of etching solution, flux or other contamination, can generate currents of a few nanoamps between conductors (see **Figure 2-22**).

FIGURE 2-21: Piezoelectric Effect

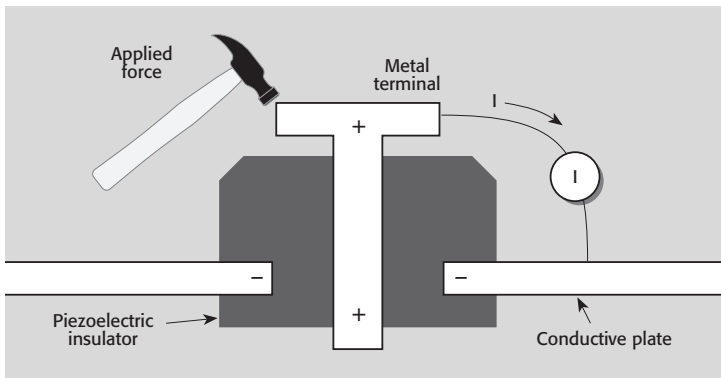
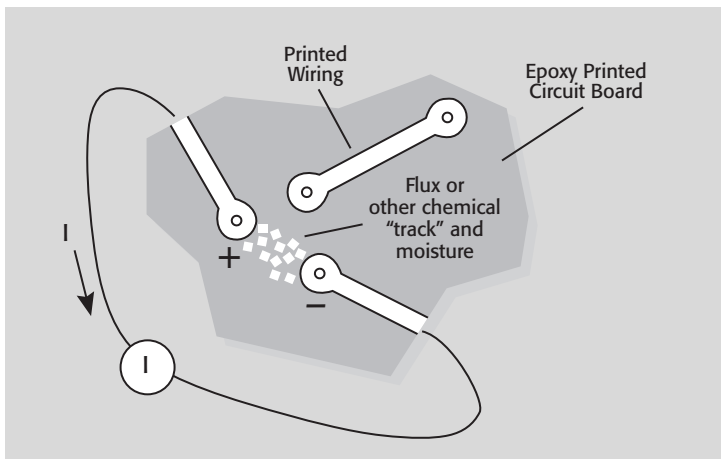


FIGURE 2-22: Electrochemical Effects



Insulation resistance can be dramatically reduced by high humidity or ionic contamination. High humidity conditions occur with condensation or water absorption, while ionic contamination may be the result of body oils, salts, or solder flux.

While the primary result of these contaminants is the reduction of insulation resistance, the combination of both high humidity and ionic contamination can form a conductive path, or they may even act as an electrochemical cell with high series resistance. A cell formed in this manner can source picoamps or nanoamps of current for long periods of time.

To avoid the effects of contamination and humidity, select insulators that resist water absorption, and keep humidity to moderate levels. Also, be sure all insulators are kept clean and free of contamination.

If insulators become contaminated, apply a cleaning agent such as methanol to all interconnecting circuitry. It's important to flush away all contaminants once they're dissolved in the solvent, so they won't be redeposited. Use only very pure solvents for cleaning; lower grades may contain contaminants that leave an electrochemical film.

Dielectric Absorption

Dielectric absorption in an insulator can occur when a voltage across that insulator causes positive and negative charges within the insulator to polarize because various polar molecules relax at different rates. When the voltage is removed, the separated charges generate a decaying current through circuits connected to the insulator as they recombine.

To minimize the effects of dielectric absorption on current measurements, avoid applying voltages greater than a few volts to insulators being used for sensitive current measurements. In cases where this practice is unavoidable, it may take minutes or even hours in some cases for the current caused by dielectric absorption to dissipate.

Table 2-2 in Section 2.2.2 summarizes the relative dielectric absorption of various insulating materials.

2.3.5 Voltage Burden

An ammeter may be represented by an ideal ammeter (I_M) with zero internal resistance, in series with a resistance (R_M), as shown in **Figure 2-23**. When a current source whose Thevenin equivalent circuit is a voltage (V_S) in series with a source resistance (R_S) is connected to the input of the ammeter, the current is reduced from what it would be with the ideal ammeter ($R_M = 0\Omega$). This reduction is caused by the internal resistance (R_M), which creates an additional voltage drop called the voltage burden (V_B).

The voltage burden is specified for a full-scale input. Therefore, the voltage burden at a given current can be calculated by:

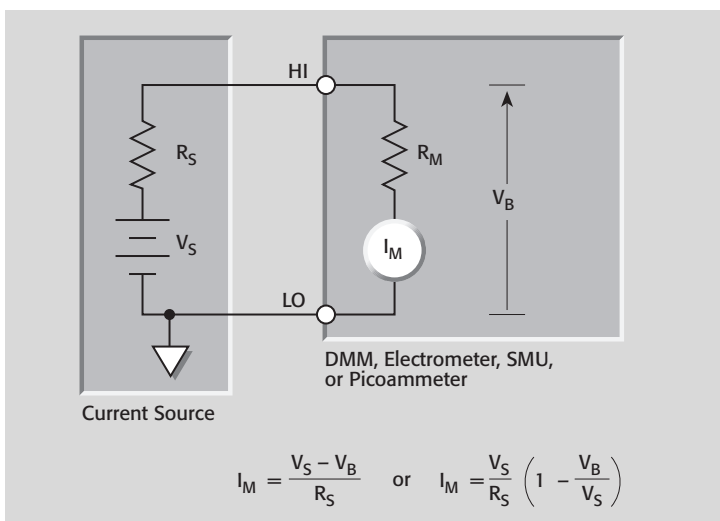
$$V_{B(i)} = V_B \left(\frac{I_S}{I_{FS}} \right)$$

where I_{FS} is full scale current and I_S is the magnitude of the current source.

Taking into account the voltage burden, the measurement error can be calculated as follows:

$$I_M = \frac{V_S - V_B \left(\frac{I_S}{I_{FS}} \right)}{R_S}$$

FIGURE 2-23: Effects of Voltage Burden on Current Measurement Accuracy



The percent error in the measured reading due to voltage burden is:

$$\% \text{ error} = \frac{V_B \left(\frac{I_S}{I_{FS}} \right)}{V_S} \times 100\%$$

Example: In this circuit, $V_S = 0.7\text{V}$, $I_S = 100\mu\text{A}$, and $I_{FS} = 200\mu\text{A}$. Assuming $R_S = 10\text{k}\Omega$ and the voltage burden at full scale is 200mV :

$$I_M = \frac{0.7\text{V} - 0.2\text{V} \left(\frac{100\mu\text{A}}{200\mu\text{A}} \right)}{10\text{k}\Omega} = 60\mu\text{A}$$

compared to the ideal case,

$$I_M = \frac{0.7\text{V}}{10\text{k}\Omega} = 70\mu\text{A}$$

Thus, the ammeter reading is $60\mu\text{A}$ vs. the ideal case of $70\mu\text{A}$ —an error of 14%.

In comparison, if a picoammeter is used and the voltage burden is $200\mu\text{V}$:

$$I_M = \frac{0.7\text{V} - 0.0002\text{V} \left(\frac{100\mu\text{A}}{200\mu\text{A}} \right)}{10\text{k}\Omega} = 69.99\mu\text{A}$$

Thus, the picoammeter reading is $69.99\mu\text{A}$ vs. the ideal measurement of $70\mu\text{A}$ —an error of only 0.01%.

The input resistance of a feedback picoammeter or electrometer ammeter is less than the ratio of the specified voltage burden to the full-scale current:

$$\text{Input Resistance} < \frac{\text{Voltage Burden}}{\text{Full Scale Current}}$$

When determining the voltage burden of an SMU, the offset voltage on the voltage source range being used must be included. Therefore, it's best to use the lowest possible voltage source range in order to minimize error.

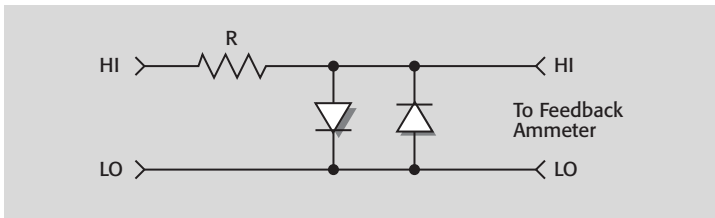
2.3.6 Overload Protection

Electrometers, picoammeters, and SMUs may be damaged if excessive voltage is applied to the input. Most instruments have a specification for the maximum allowable voltage input. In some applications, this maximum voltage may be unavoidably exceeded. Some of these applications may include leakage current of capacitors, reverse diode leakage, or insulation resistance of cables or films. If the component or material breaks down, all the voltage would be applied to the ammeter's input, possibly destroying it. In these cases, additional overload protection is required to avoid damaging the input circuitry of the instrument.

Electrometer or Picoammeter Overload Protection

Figure 2-24 shows a protection circuit for an electrometer ammeter or picoammeter, consisting of a resistor and two diodes (1N3595). The leakage of the 1N3595 diode is generally less than one picoampere even with 1mV of forward bias, so the circuit won't interfere with measurements of 10pA or more. This diode is rated to carry 225mA (450mA repeated surge). Since the voltage burden of the electrometer ammeter or picoammeter is less than 1mV, the diodes won't conduct. With two diodes in parallel back to back, the circuit will provide protection regardless of the signal polarity.

FIGURE 2-24: Overload Protection Circuit for Electrometers and Picoammeters



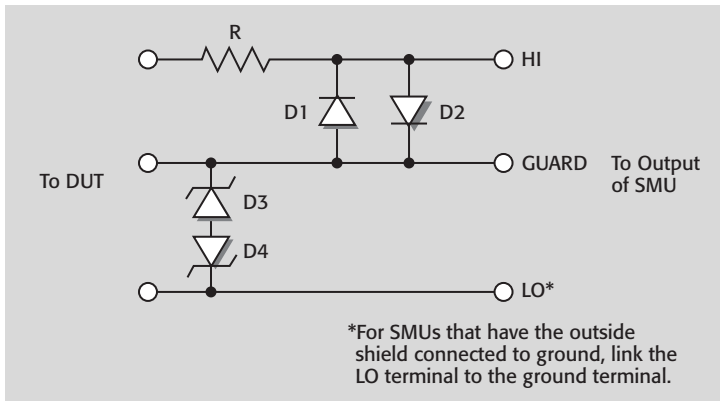
The resistor (R) must be large enough to limit the current through the diodes to prevent damage to the diodes. It also must be large enough to withstand the supply voltage. A good rule of thumb is to use a large enough resistor to cause a 1V drop at the maximum current to be measured.

The protection circuit should be enclosed in a light-tight shield because the diodes are photosensitive. The shield should be connected to the low of the ammeter.

SMU Overload Protection (in Force Voltage, Measure Current Mode)

Figure 2-25 illustrates an overload protection circuit for an SMU in the ammeter mode. This circuit consists of two zener diodes (D3 and D4) connected between the Guard and LO (or Common) terminals, a current limiting resistor (R) in series with the HI terminal, and two low leakage diodes (D1 and D2) between the HI and Guard terminals.

FIGURE 2-25: Overload Protection Circuit for the SMU in Force Voltage, Measure Current Mode



The two zener diodes are used to clamp the guard to LO (or the Common terminal). These should be rated slightly higher than the SMU's maximum measurable voltage. Since the leakage current through the zener diodes results in a voltage drop across the resistor, low leakage zener devices are desirable.

The resistor (R) is used to limit the current through the diodes (D1 and D2). The resistance value should be large enough to limit the current flowing through the diodes to one-tenth of their forward current rating, thereby preventing diode damage. The resistor must also be rated high enough to meet the power dissipation requirements while the zeners are conducting.

If an overload occurs, one of the diodes (D1 or D2) will conduct and prevent the input from being damaged. The 1N3595 diode is a good choice for this function because it has low leakage current, typically less than 1pA, even with a forward bias of 1mV.

High impedance circuit construction, such as Teflon standoffs, must be used. The protection circuit should be built into a light-tight, metal-shielded enclosure with the shield connected to the LO terminal of the SMU.

2.3.7 AC Interference and Damping

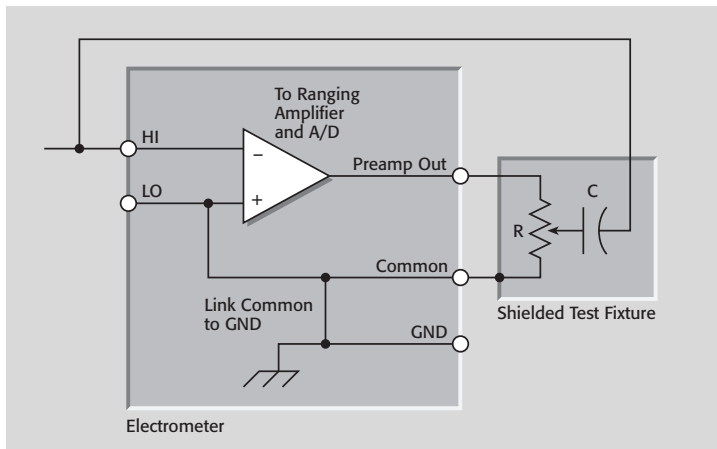
When measuring low current, electrostatic shielding (as discussed in Section 2.6.2) is the most common way to reduce noise due to AC interfer-

ence. However, in some cases, shielding the device under test or the connecting cabling isn't practical. For these applications, a variable damping control may reduce the AC pickup enough to make meaningful measurements.

A damping circuit is a type of low pass filter that reduces the electrometer's AC response so the low DC current can be measured accurately. The damping circuit may already be built into the electrometer or may be an external circuit. Refer to the instrument's instruction manual for information on a particular electrometer's internal damping feature. However, it may be necessary to increase the damping with an external circuit.

Figure 2-26 illustrates an example of an external damping circuit. This circuit consists of a low leakage polystyrene or polyester capacitor (C) and a potentiometer (R). The potentiometer is connected between the preamp output and the common (or LO) terminal of the ammeter. The capacitor is connected between the HI input terminal of the ammeter and the moving arm of the potentiometer. The value of the capacitor depends on the current range of the ammeter. Higher ranges require the use of higher magnitude capacitors. However, typical values of the capacitor are in the range of hundreds of picofarads. The value of the potentiometer should be chosen to be high enough ($>50k\Omega$) to avoid loading the preamp output, but still reduce noise effectively.

FIGURE 2-26: External Damping Circuit



Some experimentation will be needed to choose the best values for the capacitor and the resistance. Connect an oscilloscope to the analog output and observe the AC waveform on the scope. Adjust the potentiometer to make the AC signal as small as possible. If the noise can't be suppressed enough with the potentiometer, use a bigger capacitor.

The damping circuit should be built into a shielded enclosure.

2.3.8 Using a Coulombmeter to Measure Low Current

In most cases, an ammeter or picoammeter is used to measure current. However, for femtoamp-level currents, it may be better to use the coulombs function of an electrometer to measure the change in charge over time, then use those charge measurements to determine the current. A further discussion of charge measurements can be found in Section 2.5.

Basic Charge Measurement Methods

Charge is difficult to measure directly; it must be related to an easily measured quantity. One commonly used method of making this type of measurement is to measure the voltage across a capacitor of known value. The charge is related to capacitor voltage as follows:

$$Q = CV$$

where: Q = capacitor charge (coulombs)

C = capacitor value (farads)

V = voltage across capacitor (volts)

Once the rate of change in charge is known, the current can easily be determined from the charge measurement. The instantaneous current (i) is simply:

$$i = \frac{dQ}{dt}$$

while the long-term average current is defined as:

$$I_{AVG} = \frac{\Delta Q}{\Delta t}$$

Thus, we see that charge can be measured and current can be determined simply by making a series of voltage measurements.

Using a Feedback Coulombmeter to Measure Current

Charge can be measured directly with a feedback coulombmeter. **Figure 2-27** shows a simplified model of a feedback type coulombmeter. The input current to the circuit is I_S , the output voltage is V_{OUT} , and the feedback capacitor is C_F .

The current (I_S) is applied to the input of the feedback coulombmeter. The circuit is an integrator, so the charge is determined by integrating the current:

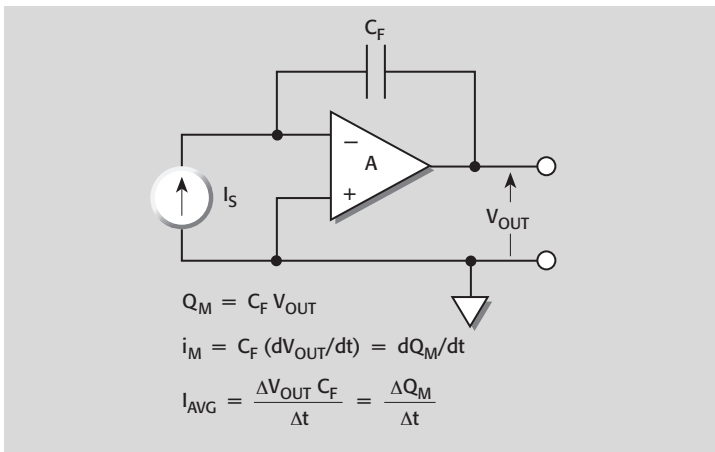
$$Q_M = \int i \, dt$$

The coulombmeter determines charge from the output voltage and the value of the feedback capacitor:

$$Q_M = C_F V_{OUT}$$

From the measured charge (Q_M), the user can calculate current:

FIGURE 2-27: Feedback Coulombmeter Equivalent Circuit



$$i_M = C_F(dV_{OUT}/dt) = dQ_M/dt$$

The long-term average current (I_{AVG}) can be calculated from the change in output voltage over a specific time period:

$$I_{AVG} = \frac{\Delta V_{OUT} C_F}{\Delta t} = \frac{\Delta Q}{\Delta t}$$

To make calculations easier, set a one-second measurement interval time in the one-shot trigger mode. The “REL” or zero function of the electrometer may be used to reset the readings.

Fixed Integration Time Period Method

The fixed integration time method shown in **Figure 2-28** can be used to determine current and is a variation of the feedback coulombmeter technique. In this instance, the increasing charge value is measured at specific time intervals of equal length. The average current (I_{AVG}) during a given period can be determined from the slope of the line and is calculated as follows:

$$I_{AVG} = \frac{\Delta Q}{\Delta t}$$

This method gives the average current during the time interval and produces readings at a steady rate determined by the integration period. This method can be accomplished automatically in software by determining the difference between successive readings.

Fixed Threshold Method

The fixed threshold method, which is shown in **Figure 2-29**, is somewhat similar to the fixed integration time method just described. In this case,

FIGURE 2-28: Fixed Integration Time Method of Determining Current from Charge

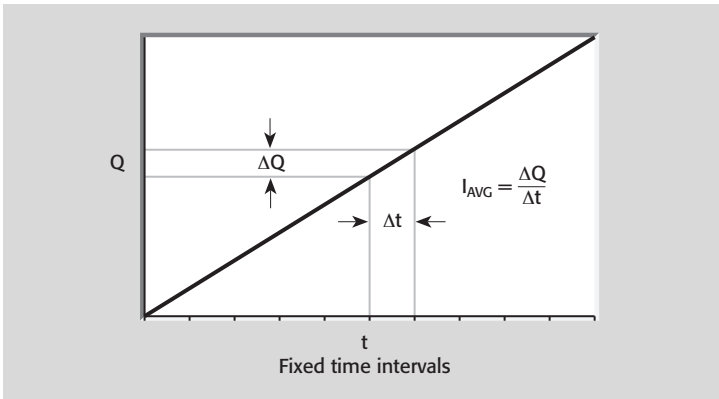
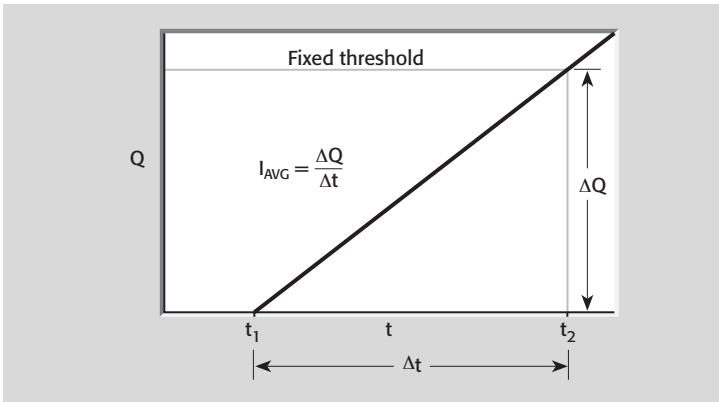


FIGURE 2-29: Fixed Threshold Method of Determining Current from Charge



however, the charge measurement begins at time t_1 and continues until the charge value reaches some predetermined threshold value at time t_2 . The current is then calculated as follows:

$$I_{AVG} = \frac{\Delta Q}{\Delta t} \text{ where } \Delta t = t_2 - t_1$$

Note that the voltage coefficient of the coulombmeter capacitor has little effect on overall current measurement accuracy. As long as the threshold point and time periods are accurately known, current measurement accuracy will be quite good. However, readings won't be evenly spaced when current levels vary, and the interval between readings can be quite long when the average current for a given time period is small.

Advantages of Using a Coulombmeter to Measure Current

There are several advantages to using a coulombmeter instead of an ammeter for measuring current in certain situations:

- **Lower Current Noise:** The ammeter uses a feedback resistor, which will have significant Johnson noise. For charge measurement, this resistor is replaced by a capacitor, which theoretically has no Johnson noise. Consequently, the charge method of current measurement results in lower noise than measuring currents directly with a feedback ammeter. Thus, the charge method is preferable when current noise performance less than 1fA p-p is required. (Refer to **Figure 2-52** in Section 2.6.5 and note that feedback resistances higher than $10^{12}\Omega$ aren't very practical.)
- **Faster Settling Times:** The speed of a feedback ammeter is limited by the time constant of its feedback circuit ($R_F C_F$). For example, for feedback resistances greater than $10G\Omega$, stray capacitance limits response times to tens of milliseconds. In contrast, a feedback integrator will respond immediately and is limited only by the speed of the operational amplifier.
- **Random Pulses Can Be Integrated:** The average charge transferred per unit time of random pulse trains can be evaluated by integrating the current pulse train for a given period of time. The average current amplitudes can then be expressed as the total charge divided by the time period involved in the measurement. This technique is especially useful when averaging very small, unsteady currents. If the duty cycle is known, the pulse height can also be determined.
- **The Noise Effects of Input Shunt Capacitance are Minimized:** Noise gain is mainly determined by C_{IN}/C_F , and C_F is much larger in a coulombmeter than in an ammeter, so much larger input capacitance values can be tolerated. This characteristic is beneficial when measuring from high capacitance sources or when long connecting cables are used.

2.4 High Resistance Measurements

When resistances greater than $1G\Omega$ must be measured, an electrometer, SMU, or picoammeter/voltage source are usually required. An electrometer may measure high resistance by either the constant-voltage or the constant-current method. Some electrometers allow the user to choose either method. The constant-voltage method uses an ammeter and a voltage source, while the constant-current method uses an electrometer voltmeter and a current source. A description of these techniques follows.

2.4.1 Constant-Voltage Method

To make high resistance measurements using the constant-voltage method, an instrument that can measure low current and a constant DC voltage

source are required. Some electrometers and picoammeters have voltage sources built into the instrument and automatically can calculate the unknown resistance.

The basic configuration of the constant-voltage method using an electrometer or picoammeter is shown in **Figure 2-30a**. As shown in **Figure 2-30b**, an SMU can also be used for making high resistance measurements using the constant voltage method.

In this method, a constant voltage source (V) is placed in series with the unknown resistor (R) and an ammeter (I_M). Since the voltage drop across the ammeter is negligible, essentially all the test voltage appears across R . The resulting current is measured by the ammeter and the resistance is calculated using Ohm's Law ($R = V/I$).

High resistance is often a function of the applied voltage, which makes the constant-voltage method preferable to the constant-current method. By testing at selected voltages, a resistance vs. voltage curve can be developed and a "voltage coefficient of resistance" can be determined.

Some of the applications that use this method include testing two terminal high resistance devices, measuring insulation resistance, and determining the volume and surface resistivity of insulating materials. See Section 4 for descriptions of these applications.

The constant-voltage method requires measuring low current, so all the techniques and error sources described in Section 2.3 (Low Current Measurements) apply to this method. The two most common error sources when measuring high resistance are electrostatic interference and leakage current. As described in Section 2.6.2, electrostatic interference can be minimized by shielding the high impedance circuitry. Interferences due to leakage current can be controlled by guarding as described in Section 2.3.1.

2.4.2 Constant-Current Method

High resistance measurements using the constant-current method may be made using either an electrometer voltmeter and current source or just an electrometer ohmmeter. An SMU that has a voltmeter with high input impedance and low current source ranges may also be used. Using the electrometer voltmeter with a separate current source or an SMU allows the user to make a four-wire measurement and to control the amount of current through the sample. The electrometer ohmmeter makes a two-wire resistance measurement at a specific test current, depending on the measurement range.

Using The Electrometer Voltmeter and an External Current Source

The basic configuration for the constant-current method is shown in **Figure 2-31**. Current from the source (I) flows through the unknown resistance (R) and the voltage drop is measured by the electrometer voltmeter (V). Using this method, resistances up to about $10^{12}\Omega$ can be measured. Even though the basic procedure seems simple enough, some precautionary measures must be taken. The input impedance of the voltmeter must be high enough

FIGURE 2-30: Constant-Voltage Method for Measuring High Resistance

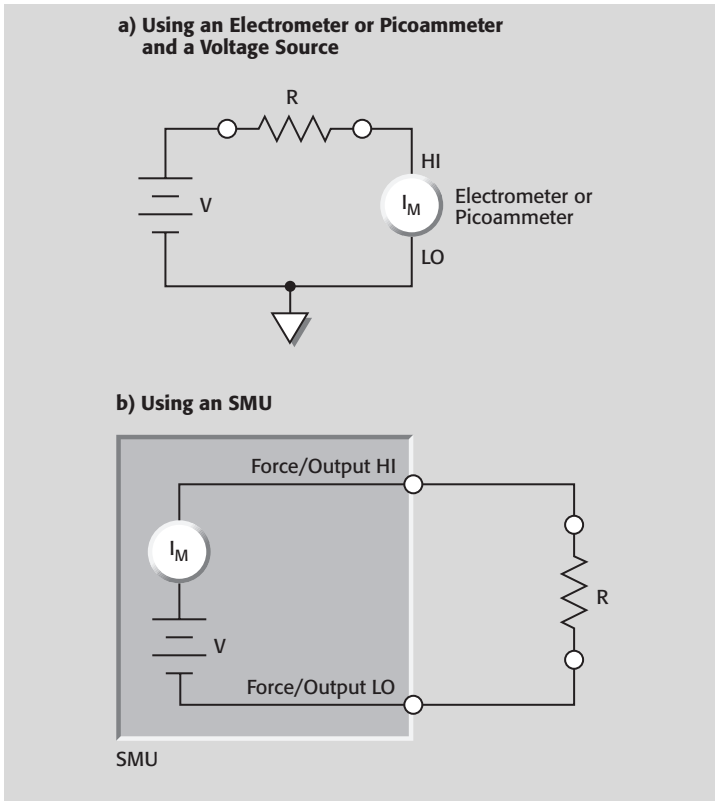
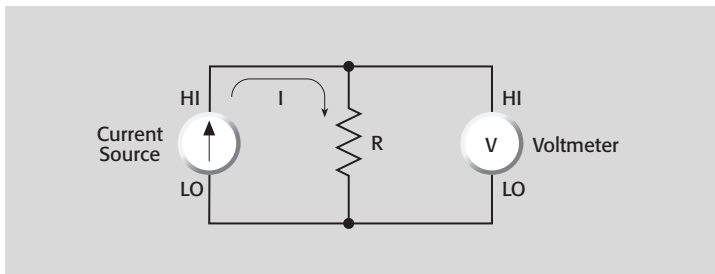


FIGURE 2-31: Constant-Current Method Using a Separate Current Source and Voltmeter

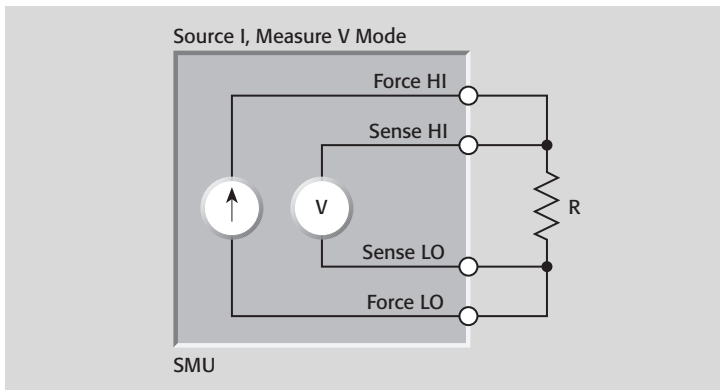


compared with a source resistance to keep the loading error within acceptable limits. Typically, the input impedance of an electrometer voltmeter is about $10^{14}\Omega$. Also, the output resistance of the current source must be much greater than the unknown resistance for the measurement to be linear. The voltage across the sample depends upon the sample resistance, which makes it difficult to account for voltage coefficient when using the constant-current method. If voltage coefficient is a concern, it's best to use the constant-voltage method. When using the electrometer voltmeter to make high resistance measurements, all the techniques and error sources described in Section 2.2 (Voltage Measurements from High Resistance Sources) apply to these measurements. The electrometer voltmeter and a separate current source are used when determining high resistivity of semiconductor materials using the four-point probe or van der Pauw technique. These methods of determining the resistivity of semiconductor materials are described in more detail in Section 4.4.3.

Using an SMU in the Source I, Measure V Mode

An SMU can measure high resistance in the source current/measure voltage mode by using either a two-wire (local sense) or four-wire (remote sense) method. **Figure 2-32** illustrates an SMU in four-wire mode.

FIGURE 2-32: Using the SMU in the Four-Wire Mode to Measure High Resistance



The four-wire method is used to eliminate contact and lead resistance, which is especially important when measuring resistivity of semiconductor materials. These measurements usually involve measuring low voltages. The resistance of the metal probe to semiconductor contact can be quite high.

When using remote sense, the voltage difference between high force and high sense, and between low force and low sense is usually limited to a specified value. Exceeding this voltage difference can result in erratic measurements. Check the instruction manual of the SMU for further information on this limitation.

In addition to the voltage drop limitation, some SMUs have automatic remote sensing resistors located between the HI Force and HI Sense terminals and between the LO Force and LO Sense terminals. This may further limit the use of a single SMU in remote mode for certain applications, such as semiconductor resistivity. If this is the case, use the SMU as a current source in the two-wire mode, and use a separate voltmeter(s) to measure the voltage difference. See Section 4.4.3 for further information.

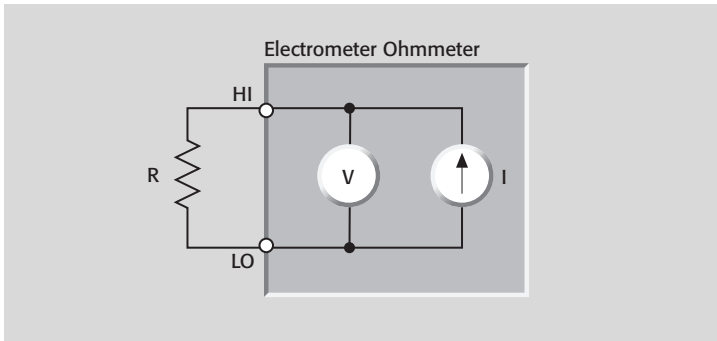
Using the Electrometer Ohmmeter

When using the electrometer ohmmeter, measurement accuracy can be affected by a variety of factors. In the following paragraphs, we will discuss the most important considerations for making accurate high resistance measurements.

Basic Configuration

Figure 2-33 shows the electrometer ohmmeter measuring a resistance (R). The ohmmeter uses an internal current source and electrometer voltmeter to make the measurement. It automatically calculates and displays the measured resistance. Notice that this is a two-wire resistance measurement compared to using the electrometer voltmeter and external current source, which can make a four-wire measurement. This is because the current source is internally connected to the voltmeter and cannot be used separately.

FIGURE 2-33: Electrometer Ohmmeter for Measuring High Resistance



Guarding

As with high impedance voltage measurements and current measurements, guarding high resistance test connections can significantly reduce the effects of leakage resistance and improve measurement accuracy.

Consider the unguarded resistance measurement setup shown in **Figure 2-34a**. Here, an electrometer ohmmeter is forcing a current (I_R) through the unknown resistance (R_S) and then measuring the voltage (V_M)

across the DUT. If we assume that the meter has infinite input resistance, the measured resistance is then computed from Ohm's Law:

$$R_M = \frac{V_M}{I_R}$$

However, since the cable leakage resistance (R_L) is in parallel with R_S , the actual measured resistance (R_M) is reduced, as shown in the parallel equivalent circuit of **Figure 2-34b**. The measured resistance now becomes:

$$R_M = R_S \left(\frac{R_L}{R_S + R_L} \right)$$

The loading effects of cable resistance (and other leakage resistances) can be virtually eliminated by driving the cable shield with a unity-gain amplifier, as shown in **Figure 2-34c**. Since the voltage across R_L is essentially zero, all the test current (I_R) now flows through R_S , and the source resistance value can be accurately determined. The leakage current (I_G) through the cable-to-ground leakage path (R_G) may be considerable, but that current is supplied by the low impedance output of the $\times 1$ amplifier rather than by the current source (I_R).

Settling Time

The settling time of the circuit is particularly important when making high resistance measurements. The settling time of the measurement is affected by the shunt capacitance, which is due to the connecting cable, test fixturing, and the DUT. As shown in **Figure 2-35**, the shunt capacitance (C_{SHUNT}) must be charged to the test voltage by the current (I_S). The time period required for charging the capacitor is determined by the RC time constant (one time constant, $\tau = R_S C_{SHUNT}$), and the familiar exponential curve of **Figure 2-36** results. Thus, it becomes necessary to wait four or five time constants to achieve an accurate reading. When measuring very high resistance values, the settling time can range up to minutes, depending on the amount of shunt capacitance in the test system. For example, if C_{SHUNT} is only 10pF, a test resistance of 1T Ω will result in a time constant of 10 seconds. Thus, a settling time of 50 seconds would be required for the reading to settle to within 1% of final value.

In order to minimize settling times when measuring high resistance values, keep shunt capacitance in the system to an absolute minimum by keeping connecting cables as short as possible. Also, guarding may be used to decrease settling times substantially. Finally, the source voltage, measure current method of resistance measurement is generally faster because of reduced settling times.

FIGURE 2-34a: Effects of Cable Resistance on High Resistance Measurements

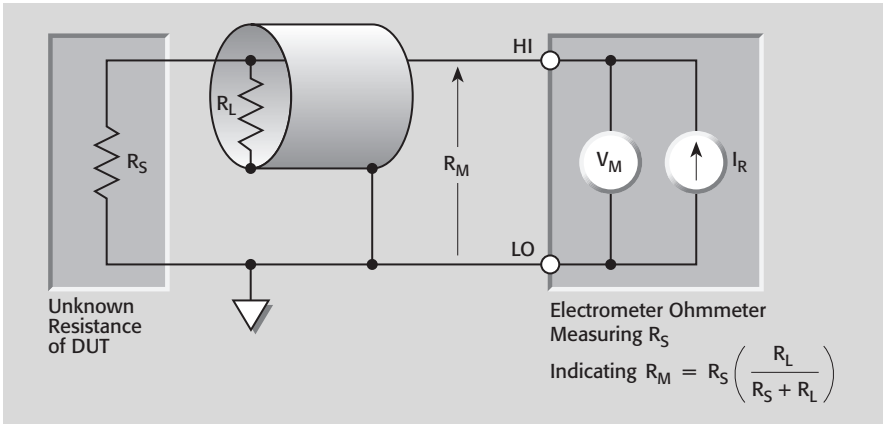


FIGURE 2-34b: Equivalent Circuit of Figure 2-34a Showing Loading Effect of Cable Leakage Resistance R_L .

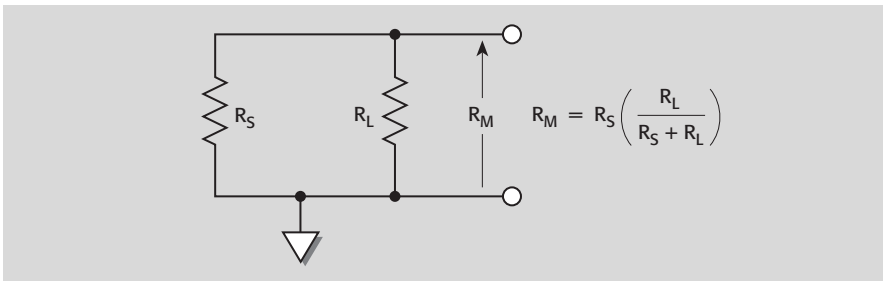


FIGURE 2-34c: Guarding Cable Shield to Eliminate Leakage Resistance

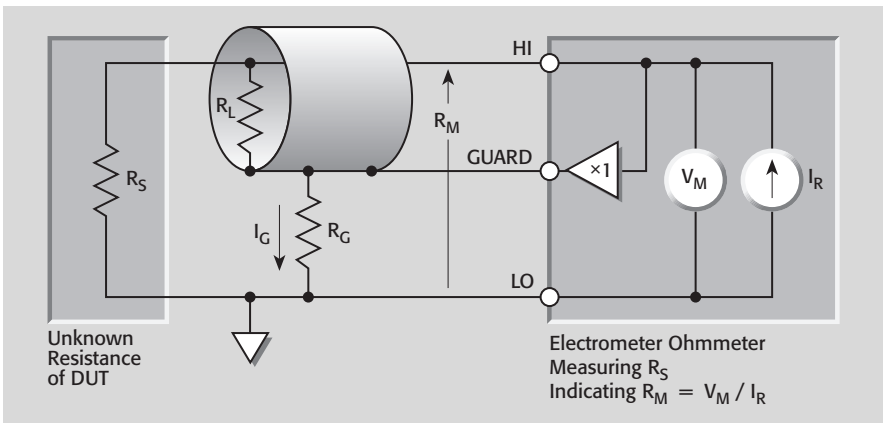


FIGURE 2-35: Settling Time is the Result of $R_S C_{SHUNT}$ Time Constant

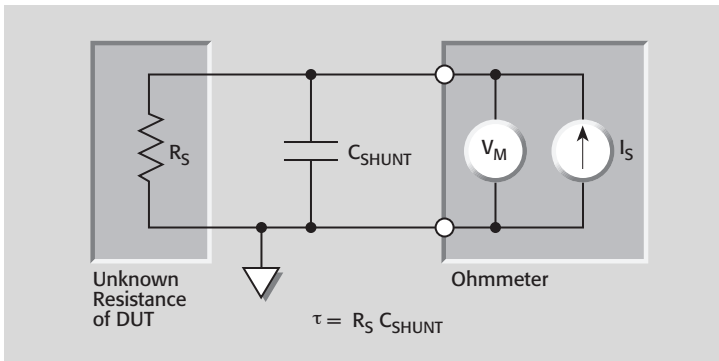
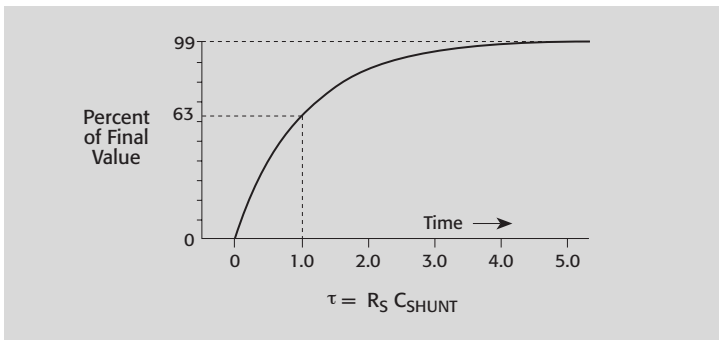


FIGURE 2-36: Exponential Settling Time Caused by Time Constant of Shunt Capacitance and Source Resistance



2.4.3 Characteristics of High Ohmic Valued Resistors

Resistors with values of $1G\Omega$ or more are often referred to as high megohm resistors. Their high resistances make these components very unusual devices, so take several considerations into account when measuring them: voltage and temperature coefficients, the effects of mechanical shock, and contamination.

Two types of high megohm resistors are widely used: carbon-film and metal-oxide. When compared with conventional resistors, carbon-film high megohm resistors are noisy, unstable, have high temperature coefficients, display high voltage coefficients, and are very fragile. Recent developments in metal-oxide types have resulted in resistors with much lower voltage coefficients, as well as improved temperature and time stability. Modern devices exhibit voltage coefficients less than 5ppm/V and no significant drift after five years of tests. Temperature coefficients are on the order of $0.01\%/^{\circ}\text{C}$ at $100M\Omega$, $0.025\%/^{\circ}\text{C}$ at $100G\Omega$.

Such devices require extreme care in handling. Mechanical shock may significantly alter the resistance by dislodging particles of the conductive material. It's also important not to touch the resistance element or the glass envelope that surrounds it; doing so could change its resistance due to the creation of new current paths or small electrochemically generated currents.

The resistors are coated to prevent water films from forming on the surface. Therefore, if a resistor acquires surface films from careless handling or deposits from air contaminants, it should be cleaned with a foam-tipped swab and methanol. After cleaning, the resistor should be dried in a low humidity atmosphere for several hours to allow any static charges to dissipate.

2.5 Charge Measurements

Charge is the time integral of current, $q = \int i dt$. Charge is often measured on a quantity of particles, on a surface, or on a component such as a capacitor. Sometimes, the charge is measured on a continuous basis, such as when using the coulombmeter to measure very low current, as discussed in Section 2.3.8.

An electrometer makes an ideal coulombmeter because it has very low input offset current and high input resistance. The coulombmeter function of the electrometer measures charge by integrating the input current. An integrating capacitor is used in the feedback loop of the input stage. Refer to Section 1.5.3 for a more detailed discussion of the coulombmeter circuit of the electrometer.

2.5.1 Error Sources

Charge measurements made with an electrometer are subject to a number of error sources, including input offset current, voltage burden, generated currents, and low source impedance.

Input Offset Current

With an electrometer, the input offset current is very low. However, at low charge levels, even this small current may be a significant error factor. Over long time periods, the instrument will integrate the offset current, which will be seen as a long-term drift in the charge measurement. Typical offset current is $4fA$, which will cause a change in the charge measurement of $4fC$ per second. If the offset current is known, it's possible to compensate for this error simply by subtracting the charge drift due to offset current from the actual reading. However, determining the offset current of the entire system may be difficult.

Voltage Burden

The voltage burden of a feedback coulombmeter is generally quite low ($<100\mu V$), just as it is with a feedback picoammeter. However, if the instantaneous peak current is $>10\mu A$, the voltage burden can exceed this level momentarily. In an overload condition, the voltage burden can reach many volts, depending on the input value.

If the source voltage is at least 10mV, the typical electrometer in the coulombs mode will integrate the current accurately. If the source voltage is much lower, the voltage burden may become a problem, and the input stage noise will be amplified so much that accurate measurements aren't possible.

Generated Currents

Generated currents from the input cable or induced currents due to insufficient shielding can cause errors in charge measurements, especially with charge levels of 100pC or less. To minimize generated currents, use low noise cable and electrostatically shield all connections and the DUT.

Source Impedance

The magnitude of the source impedance can affect the noise performance of the feedback coulombmeter. **Figure 2-37** shows a generalized feedback circuit connected to a source impedance. In a coulombmeter, the feedback impedance is a capacitor. From this diagram, the noise gain of the coulombmeter can be calculated from the following equation:

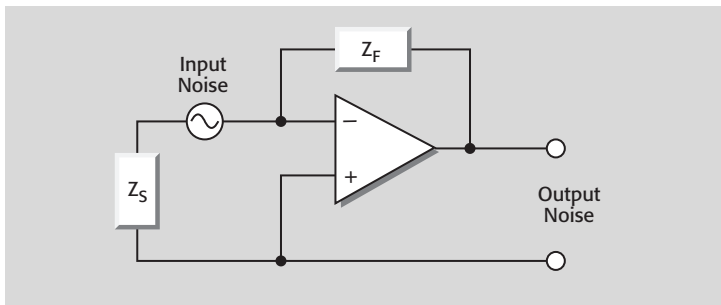
$$\text{Output Noise} = \text{Input Noise} \times (1 + Z_F/Z_S)$$

where: Z_S is the source impedance

Z_F is the feedback impedance of the coulombmeter

Input Noise is the noise of the input stage of the electrometer

FIGURE 2-37: Generalized Feedback Circuit



In general, as Z_F becomes larger, the noise gain becomes larger. Refer to the electrometer's manual or specifications for the value of the feedback impedance for a particular instrument.

2.5.2 Zero Check

Unlike a voltage measurement, a charge measurement can be a destructive measurement. In other words, the process of making the measurement may remove the charge stored in the device under test.

When measuring the charge on a device such as a capacitor, it's important to disable the zero check of the electrometer first, and then connect the capacitor to the high impedance input terminal. Otherwise, some of the

charge will be lost through the zero check impedance and won't be measured by the electrometer. That's because when zero check is enabled, the input resistance of the electrometer is about 10MΩ.

Opening the zero check switch will produce a sudden change in charge reading known as "zero hop." To eliminate the effects of zero hop, take a reading just after the zero check is disabled, then subtract this value from all subsequent readings. An easy way to do this is to enable the REL function after zero check is disabled, which nulls out the charge reading caused by the hop.

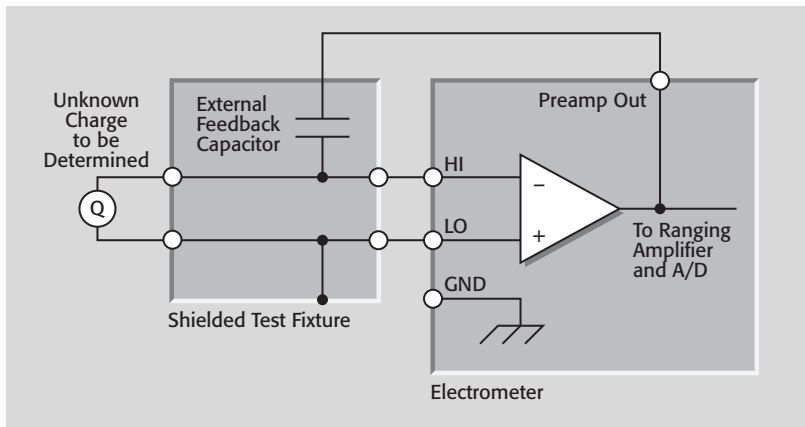
2.5.3 Extending the Charge Measurement Range of the Electrometer

The charge measurement range of most electrometers can be extended using external feedback. The external feedback mode allows an external device to be used as the feedback element of the electrometer. Placing the electrometer in the volts mode and then enabling external feedback switches the feedback circuit from an internal network to a feedback circuit connected to the preamp output.

To extend the coulombs ranges, an external capacitor is used as the feedback element.

As illustrated in **Figure 2-38**, an external feedback capacitor is placed between the preamp output terminal and the HI input terminal of the electrometer. To prevent electrostatic interference, the capacitor is placed in a shielded test fixture.

FIGURE 2-38: Connections for Using External Feedback Capacitor



When in the external feedback mode, the electrometer will display the voltage across the feedback element. The unknown charge can be calculated from the following formula:

$$Q = CV$$

where: Q = charge (coulombs)

C = capacitance of the external feedback capacitor (farads)

V = voltage on display of electrometer (volts)

For example, using an external feedback capacitor of $10\mu\text{F}$ and measuring 5V on the display of the electrometer, the calculated charge is $50\mu\text{C}$.

The capacitance of the feedback element should be at least 10pF to avoid errors due to stray capacitance and noise gain.

To ensure low leakage current and low dielectric absorption, the feedback capacitor should be made of a suitable dielectric material such as polystyrene, polypropylene, or Teflon.

More information on the measurement procedure can be found in the instruction manual of the electrometer.

2.6 General Electrometer Considerations

So far, we have discussed considerations specific to voltage, current, resistance, and charge measurements. The following paragraphs examine considerations that apply to all types of electrometer and SMU measurements on high resistance sources.

2.6.1 Making Connections

To avoid measurement errors, it's critical to make proper connections from the electrometer, SMU, or picoammeter to the device under test. **Always connect the high resistance terminal of the meter to the highest resistance point of the circuit under test.**

Figure 2-39 shows an electrometer connected to a current source that consists of a voltage source in series with a resistor. An AC powered source usually has a significant level (often several volts) of line frequency common mode voltage. As shown in **Figure 2-40**, this will cause a current (i) to flow through the low to ground capacitance of the electrometer (I_M). This circuit

FIGURE 2-39: Connecting the HI Terminal of the Ammeter to High Resistance

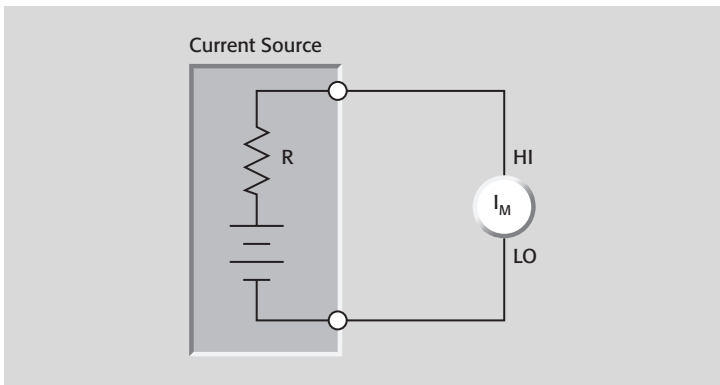


FIGURE 2-40: Proper Connection

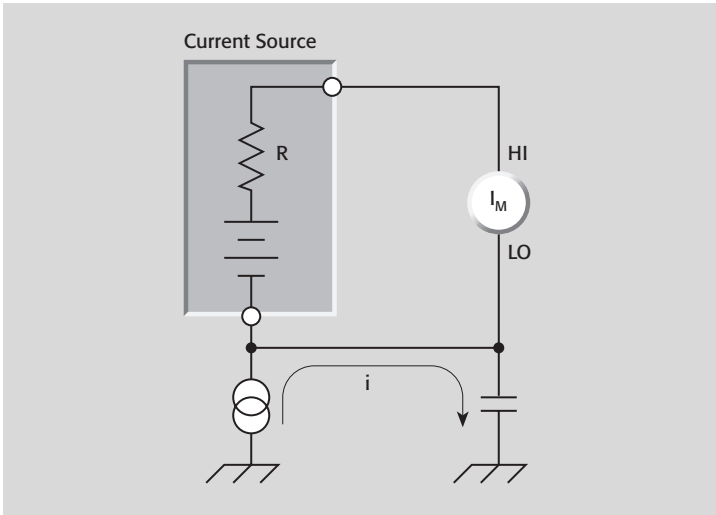
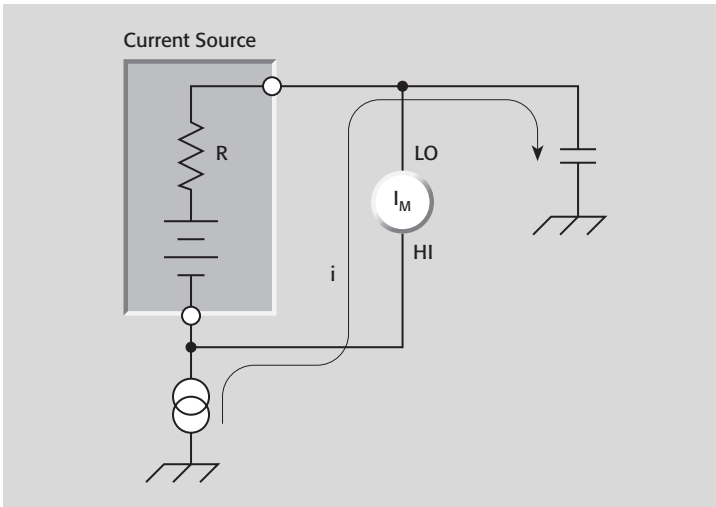


FIGURE 2-41: Improper Connection



is connected properly, so this current doesn't flow through the electrometer measurement circuitry and, therefore, doesn't cause any measurement errors. However, when the HI terminal of the electrometer is connected to the low impedance power supply, this AC current (i) flows through the electrometer (I_M), as illustrated in **Figure 2-41**. This current may affect the measurement accuracy, especially at low signal levels.

See Section 2.6.6 for details on appropriate cabling and connector types for electrometer measurements.

2.6.2 Electrostatic Interference and Shielding

Electrostatic coupling or interference occurs when an electrically charged object approaches the input circuit under test. At low impedance levels, the effects of the interference aren't noticeable because the charge dissipates rapidly. However, high resistance materials don't allow the charge to decay quickly, which may result in unstable measurements. The erroneous readings may be due to either DC or AC electrostatic fields, so electrostatic shielding will help minimize the effects of these fields.

DC fields can produce noisy readings or undetected errors. These fields can be detected when movement near an experiment (such as the movement of the person operating the instrument or others in the immediate vicinity) causes fluctuations on the electrometer's display. To perform a quick check for interference, place a piece of charged plastic, such as a comb, near the circuit. A large change in the meter reading indicates insufficient shielding.

AC fields can be equally troublesome. These are caused most often by power lines and RF fields. If the AC voltage at the input is large, part of this signal is rectified, producing an error in the DC signal being measured. This can be checked by observing the analog output of the electrometer or picoammeter with an oscilloscope. A clipped waveform indicates a need to improve electrostatic shielding. **Figure 2-42** illustrates a clipped waveform taken from the 2V analog output of an electrometer. In this example, the amount of clipping reduced the DC current reading by nearly 50%.

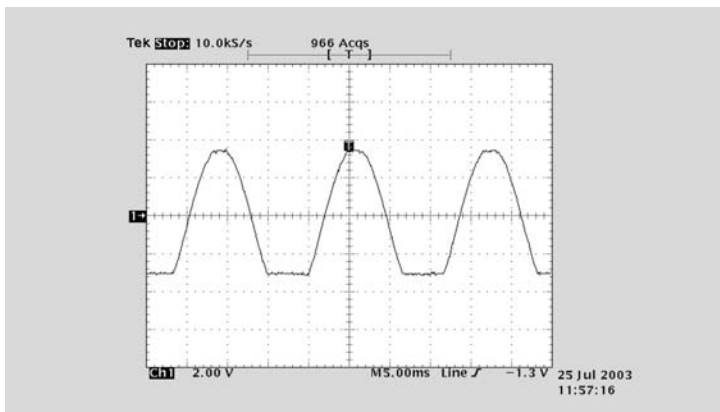


FIGURE 2-42: Clipped Waveform from the Analog Output of an Electrometer Caused by AC Pickup

For an SMU, check for AC pickup by connecting the oscilloscope between the guard terminal and common.

Figure 2-43 shows an example of AC electrostatic coupling. An electrostatic voltage source in the vicinity of a conductor, such as a cable or trace on a PC board, generates a current proportional to the rate of change of the voltage and of the coupling capacitance. This current can be calculated with the following equation:

$$i = C \, dV/dt + V \, dC/dt$$

For example, two conductors, each with 1cm² area and spaced 1cm apart by air, will have almost 0.1pF of capacitance. With a voltage difference of 100V between the two conductors and a vibration causing a change of capacitance of 0.01pF/second (a 10% fluctuation between them), a current of 1pA AC will be generated.

To reduce the effects of the fields, a shield can be built to enclose the circuit being measured. The easiest type of shield to make is a simple metal box or meshed screen that encloses the test circuit. Shielded boxes are also available commercially.

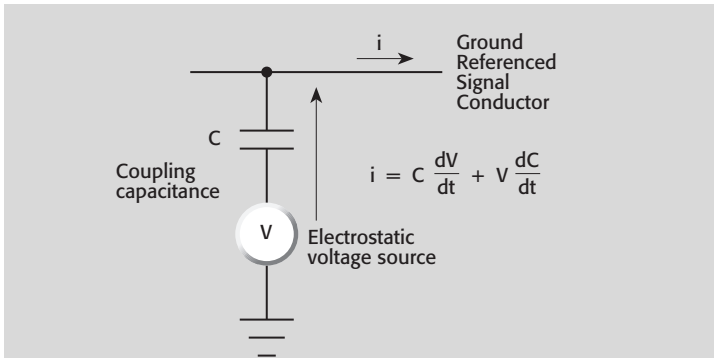


FIGURE 2-43: Electrostatic Coupling

Figure 2-44 illustrates an example of shielding. Made from a conductive material, the shield is always connected to the low impedance input of the electrometer or picoammeter or to the output LO (or common) terminal of the SMU. If circuit LO is floating above ground, observe special safety precautions to prevent anyone from touching the shield. These safety precautions are discussed in Section 2.6.8.

The cabling between the HI terminal of the meter and the device under test also requires shielding. Capacitive coupling between an electrostatic noise source and the signal conductors or cables can be greatly reduced by surrounding those conductors with a metal shield connected to LO, as shown in **Figure 2-45**. With this shield in place, the noise current generated by the electrostatic voltage source and the coupling capacitance flows through the shield to ground rather than through the signal conductors.

FIGURE 2-44: Shielding a High Impedance Device

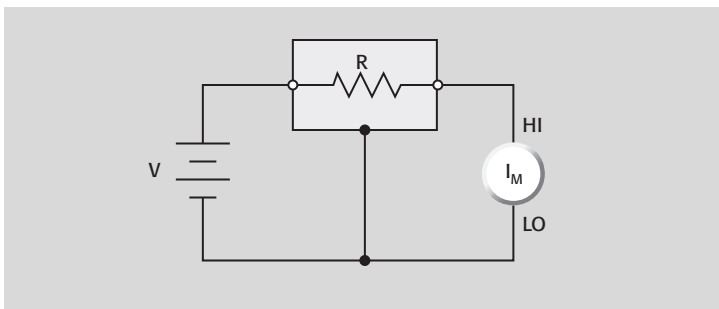
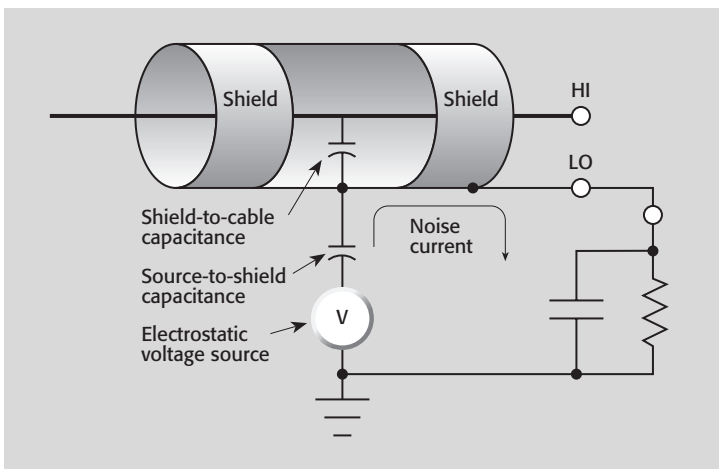


FIGURE 2-45: Electrostatic Shielding



To summarize, follow these guidelines to minimize error currents due to electrostatic coupling:

- Keep all charged objects (including people) and conductors away from sensitive areas of the test circuit.
- Avoid movement and vibration near the test area.
- When measuring currents $< 1\text{nA}$, shield the device under test by surrounding it with a metal enclosure and connect the enclosure electrically to the test circuit common terminal.

Shielding vs. Guarding

Shielding usually implies the use of a metallic enclosure to prevent electrostatic interference from affecting a high impedance circuit. Guarding implies the use of an added low impedance conductor, maintained at the same potential as the high impedance circuit, which will intercept any inter-

fering voltage or current. A guard doesn't necessarily provide shielding. Guarding is described further in Section 2.2.1 for voltmeters, Section 2.3.1 for ammeters, and Section 2.4.2 for ohmmeters.

2.6.3 Environmental Factors

A stable test environment is essential when making accurate low level measurements. This section addresses important environmental factors that may affect the accuracy of low level measurements.

Temperature and Temperature Stability

Varying temperatures can affect low level measurements in several ways, including causing thermal expansion or contraction of insulators and producing noise currents. Also, a temperature rise can cause an increase in the input bias current of the meter. As a general rule, JFET gate leakage current doubles for every 10°C increase in temperature, but most electrometers are temperature compensated to minimize input current variations over a wide temperature range.

To minimize errors due to temperature variations, operate the entire system in a thermally stable environment. Keep sensitive instruments away from hot locations (such as the top of a rack) and allow the complete system to achieve thermal stability before making measurements. Use the instrument's zero or suppress feature to null offsets once the system has achieved thermal stability. Repeat the zeroing process whenever the ambient temperature changes. To ensure optimum accuracy, zero the instrument on the same range as that to be used for the measurement.

Humidity

Excess humidity can reduce insulation resistance on PC boards and in test connection insulators. A reduction in insulation resistance can, of course, have a serious effect on high impedance measurements. In addition, humidity or moisture can combine with any contaminants present to create electrochemical effects that can produce offset currents.

To minimize the effects of moisture, reduce the humidity in the environment (ideally <50%). Be sure all components and connectors in the test system are clean and free of contamination. When cleaning, use only pure solvents to dissolve oils and other contaminants, then rinse the cleaned area with fresh methanol or deionized water. Allow cleaned areas to dry for several hours before use.

Light

Some components such as diodes and transistors are excellent light detectors. Consequently, these components must be tested in a light-free environment. To ensure measurement accuracy, check the test fixture for light leaks at doors and door hinges, tubing entry points, and connectors or connector panels.

Ionization Interference

Current measurements made at very low levels ($<100\text{fA}$) may be affected by ionization interference from sources such as alpha particles. A single alpha particle generates a track of from 30,000 to 70,000 positive and negative ions per cm, which may be polarized and moved about by ambient electric fields. Also, ions that strike a current-sensing node may generate a “charge hop” of about 10fC per ion.

There are several ways to minimize noise in the test system due to ionization interference. First, minimize the volume of air inside the shield around sensitive input nodes. Also, keep sensitive nodes away from high intensity electric fields.

RFI (Radio Frequency Interference)

Interference from radio frequency sources can affect any sensitive electrometer measurement. This type of interference may be indicated by a sudden change in the reading for no apparent reason.

A non-linear device or junction in the input circuit can rectify the RF energy and cause significant errors. Sources of such RFI are nearby transmitters, contactors, solenoid valves, and even cellular telephones and portable two-way radios.

Once the source is identified, the RF energy may be reduced or eliminated by shielding and adding snubber networks or filters at appropriate points. Consult Section 3.2.1 for further discussion of RFI.

2.6.4 Speed Considerations

Time and Frequency Relationships

Although this handbook stresses DC measurements, an analysis of noise and instrument response speed requires a brief discussion of time and frequency relationships in electronic circuits.

A steady-state DC signal applied to a voltmeter presents no conceptual difficulty. However, if the signal has a time-varying component such as an AC signal superimposed on the DC signal, the meter will tend to follow the varying signal and show the instantaneous magnitude of the input. As the frequency of the AC component increases, the DC meter response decreases, until at some frequency only the average input voltage will be displayed. The frequency at which the voltmeter’s response to an AC signal drops to 70% is often denoted as the “3dB point” ($f_{3\text{dB}}$). Digital multimeters have a bandwidth of roughly half the conversion rate (readings per second) at the display. The analog output has a much wider bandwidth unless it’s reconstructed from digital information.

Bandwidth describes the instrument’s ability to respond to time varying signals over a range of frequencies. Another measure of the instrument’s response is its ability to respond to a step function; the typical measure of

response is the rise time of the instrument. Bandwidth or rise time may be used to describe the instrument's response to time-varying signals.

Rise time of an analog instrument (or analog output) is generally defined as the time necessary for the output to rise from 10% to 90% of the final value when the input signal rises instantaneously from zero to some fixed value. This relationship is shown in **Figure 2-46**. In **Figure 2-46a**, a step function with an assumed rise time of zero is shown, while **Figure 2-46b** shows the instrument's response and the associated rise time. Rise time, frequency response, and the RC time constant of a first order system are related. The 3dB point is given by the relationship:

$$f_{3dB} = \frac{1}{2\pi RC}$$

Rise time (t_r) is related to the RC time constant as follows:

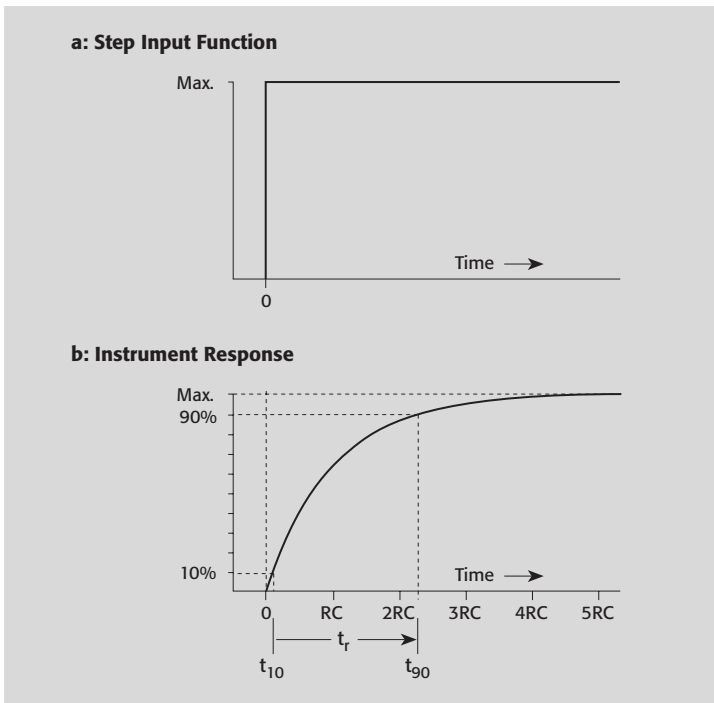
$$t_r = t_{90} - t_{10}$$

where: $t_{90} = 2.3RC$

$$t_{10} = 0.1RC$$

Thus, $t_r = 2.2RC$.

FIGURE 2-46: Instrument Response to Step Input



For example, the rise time of a circuit with a source resistance of $1\text{T}\Omega$ and capacitance of 100pF will be approximately:

$$t_r = (2.2) (10^{12}) (100 \times 10^{-12}) = 220 \text{ seconds}$$

Using this with the above relationship between RC and $f_{3\text{dB}}$, we see that:

$$t_r = \frac{2.2}{2\pi f_{3\text{dB}}} \quad \text{or} \quad t_r = \frac{0.35}{f_{3\text{dB}}}$$

Thus, the $1\text{T}\Omega$ source resistance and 100pF capacitance limit the bandwidth to:

$$f_{3\text{dB}} = \frac{0.35}{t_r} = \frac{0.35}{220} = 0.0016\text{Hz}$$

Rise time affects the accuracy of the measurement when it's of the same order of magnitude as the period of the measurement. If the length of time allowed before taking the reading is equal to the rise time, an error of approximately 10% will result, since the signal will have reached only 90% of its final value. To reduce the error, more time must be allowed. To reduce the error to 1%, about two rise times must be allowed, while reducing the error to 0.1% would require roughly three rise times (or nearly seven time constants).

Beyond the 0.1% error level (and occasionally the 1% level), second-order effects come into play. For example, more than four rise times are generally required to settle to within 0.01% of final value, due to dielectric absorption in insulators and other second-order effects.

In summary, an analog instrument's response (or the analog output response of most digital instruments) to a changing input signal is a function of its bandwidth, since frequency response and rise time are directly related. To ensure accurate measurements, sufficient settling time must be allowed for the source, the connection to the instrument, and the instrument itself to settle after the input signal is applied.

Effects of Input Capacitance on Rise Time and Noise

Voltage Measurements

In voltage measurements from high impedance sources (**Figure 2-47**), capacitance (C_{IN}) across the voltmeter (V_{M}) must be charged through R_{S} . The equation for the output voltage as a function of time is:

$$V_{\text{M}} = V_{\text{S}} (1 - e^{-t/R_{\text{S}}C})$$

where: V_{M} = voltmeter reading at t seconds

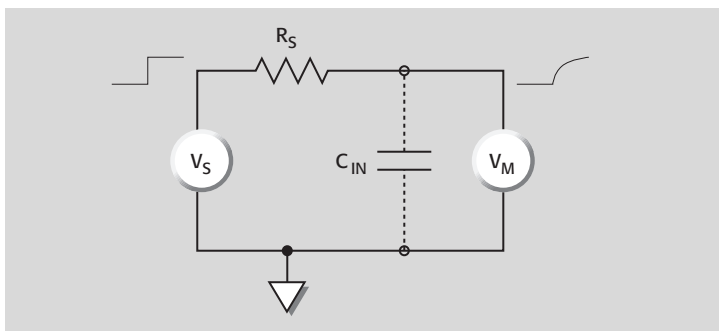
V_{S} = step function source

t = time in seconds after step occurs

R_{S} = equivalent series resistance in ohms

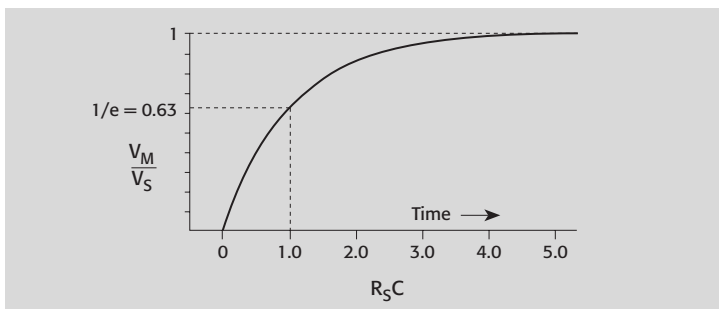
C_{IN} = equivalent shunt capacitance in farads
(instrument plus cable capacitance)

FIGURE 2-47: Shunt Capacitance Effect of High Impedance Voltage Measurement



Thus, the familiar exponential curve of **Figure 2-48** results, in which it becomes necessary to wait four or five time constants to achieve an accurate reading. In the case of large resistors and capacitance, the rise time can range up to minutes. While increased shunt capacitance causes rise time to increase, it does filter out noise produced in the source and interconnecting cable simply by reducing the effective bandwidth of the voltmeter.

FIGURE 2-48: Exponential Response to Step Input



Shunt Current Measurements

The effects of input capacitance on current measurements using a shunt type ammeter (**Figure 2-49**) are similar to those for voltage measurements. A shunt ammeter can be modeled as a voltmeter with a resistor across the input. The circuit shows that the input capacitance (C_{IN}) must be charged to $I_S R_S$ volts, at an exponential rate of the $R_S C$ time constant. Note that C_{IN} is the sum of the source, connecting cable, and meter capacitance.

Feedback Current Measurements

The effect of input capacitance on current meters employing negative feedback is different than the effect on the shunt ammeter. The circuit for this mode is shown in **Figure 2-50**.

FIGURE 2-49: Shunt Type Ammeter

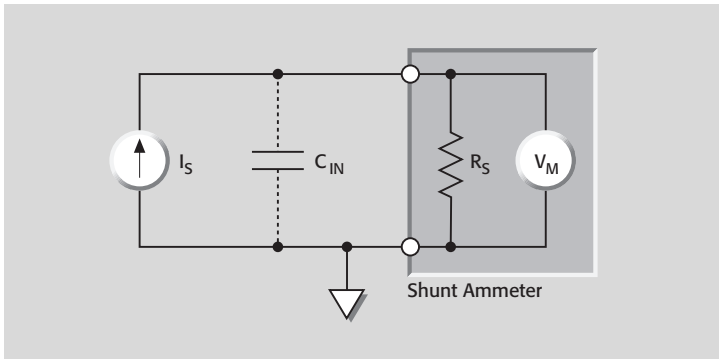
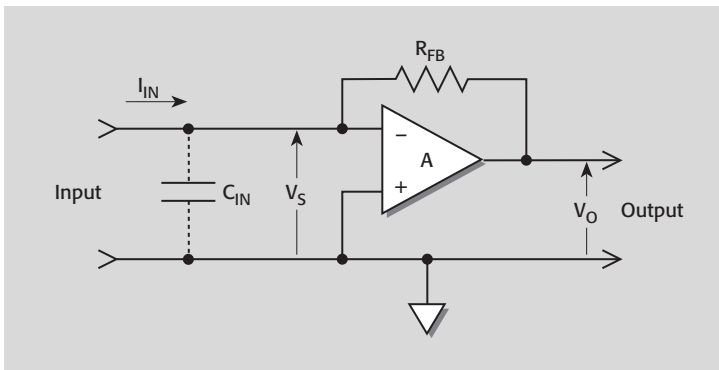


FIGURE 2-50: Feedback Electrometer Ammeter



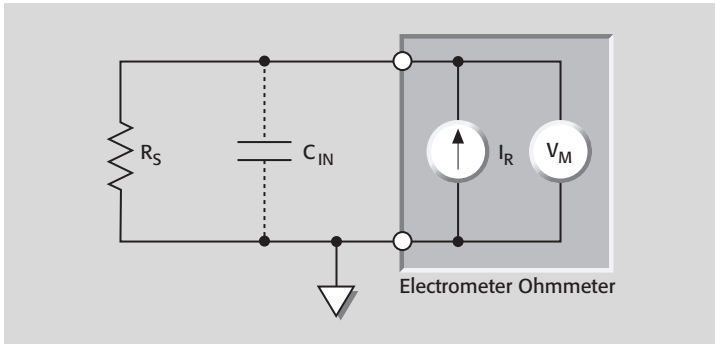
If A , the gain of the amplifier, is large, then $V_O = -I_{IN}R_{FB}$. In such an arrangement, C_{IN} doesn't shunt R_{FB} , and has only a fraction of the effect it would have with a shunt picoammeter. The resulting speed-up comes from the reduction of the input impedance of the picoammeter due to negative feedback. In other words, only $V_S = -V_O/A$ volts is developed across C_{IN} instead of the V_O that would occur in a shunt picoammeter. Thus, even large values of capacitance shunting the input will have negligible effect on rise time.

Rise time in a feedback picoammeter is a function of the physical or stray capacitance shunting the feedback resistance (R_{FB}). Electrometers, SMUs, and picoammeters can be used with relatively large values of source capacitance. It's important to realize that increasing values of input shunt capacitance (the parallel combination of source, cable and input capacitances) will degrade the signal-to-noise ratio of a given measurement. See Sections 2.3.2 and 4.3.1 for more information on noise and source impedance.

Resistance Measurements (Constant-Current Method)

Input capacitance also affects resistance measurements (Figure 2-51) in the same manner. Again, C_{IN} must be charged by the current (I_R), hence, the same equation applies. (See Section 2.4.2 for more information on the constant-current method.)

FIGURE 2-51: Constant-Current Resistance Measurement



Electrometer Rise Time Summary

For most measurements of high resistance sources, rise time considerations require minimizing the capacitance shunting the meter input. Earlier, it was shown that doing so also minimizes noise gain. In broader terms, the source impedance should be large compared to the feedback impedance of the meter.

The most effective method of minimizing input capacitance is to connect the electrometer, SMU, or picoammeter to the signal source with a shielded cable that is as short as possible. When measuring a voltage from a high source resistance, or when measuring high resistance, guarding can minimize the effects of input capacitance by driving the inner shield of a triax cable or an enclosure surrounding the input with a potential to minimize the effective capacitance, as discussed in Section 2.2.1.

2.6.5 Johnson Noise

The fundamental limit to measurement is Johnson noise in the source resistance. In any resistance, thermal energy produces motion of charged particles. This charge movement results in noise, which is often called Johnson or thermal noise. The power available from this motion is given by:

$$P = 4kTB$$

where: k = Boltzmann's constant (1.38×10^{-23} J/K)

T = absolute temperature in K

B = noise bandwidth in Hz

Metallic conductors approach this theoretical noise limit, while other materials produce somewhat higher noise. Johnson voltage noise (E) developed in a resistor (R) is:

$$E = \sqrt{4kTRB} \text{ volts, rms}$$

and Johnson current noise (I) developed by a resistor (R) is:

$$I = \frac{\sqrt{4kTRB}}{R} \text{ amperes, rms}$$

Statistical considerations show that peak-to-peak noise will be within five times the rms noise more than 99% of the time; therefore, the rms level is commonly multiplied by five to convert to peak-to-peak. At room temperature (300K), the previous equations become:

$$E_{p-p} = 6.4 \times 10^{-10} \sqrt{RB}$$

$$I_{p-p} = 6.4 \times 10^{-10} \sqrt{\frac{B}{R}}$$

All real voltage and current sources contain an internal resistance; therefore, they exhibit Johnson noise. **Figure 2-52** shows Johnson noise voltage versus source resistance for various bandwidths (or rise times) at room temperature.

For current measurements, **Figure 2-53** shows the current noise generated by various resistances at various bandwidths. Note that current noise decreases with increasing resistance, while voltage noise increases.

Johnson noise imposes a theoretical limit to achievable voltage or current resolution. The previous equations suggest several means for reducing Johnson noise. It might be possible to reduce the bandwidth, the source temperature, or the source resistance.

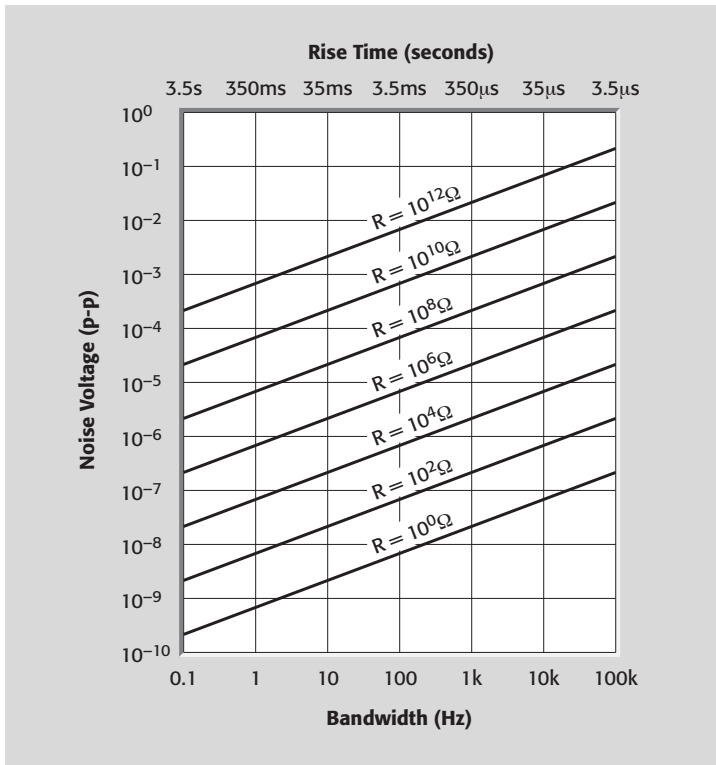
Bandwidth

Johnson noise is uniformly distributed over a wide frequency range, so reducing the noise bandwidth effectively decreases the noise in the measurement. Note that noise bandwidth isn't necessarily the same as signal bandwidth. The high frequency noise cutoff point is approximately equal to the smallest of:

- $\pi/2$ times the upper 3dB frequency limit of the analog DC measuring circuitry
- $0.35/t_r$ where t_r is the instrument's 10%–90% rise time
- 1Hz if an analog panel meter is used for readout or
- $0.314/t_{INT}$ where t_{INT} is the integration period of the A/D converter in a digital instrument.

In high resistance circuits, the noise bandwidth is often limited by the time constant of the source resistance and input capacitance, and this value

FIGURE 2-52: Noise Voltage vs. Bandwidth at Various Source Resistances

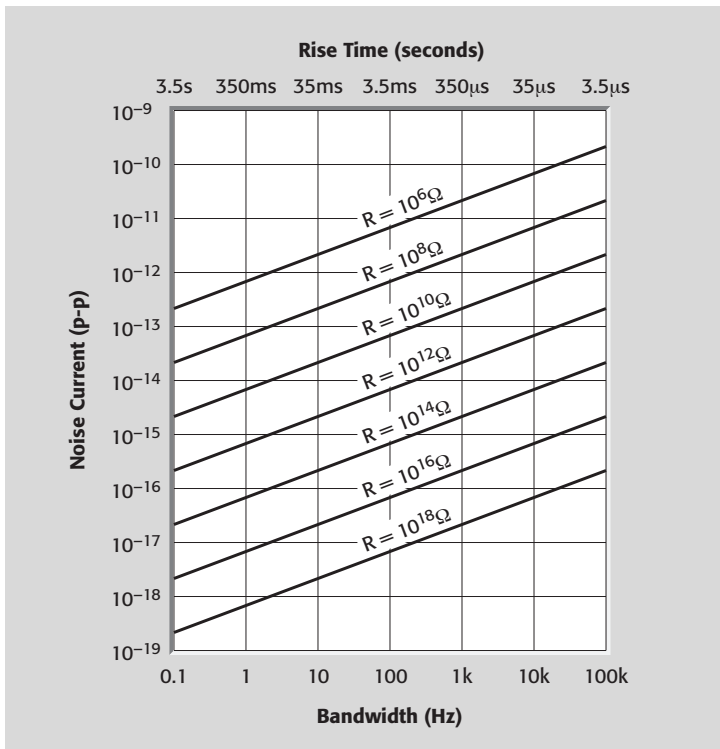


represents the smallest of the above alternative noise bandwidth calculations. In this case, noise bandwidth is:

$$\begin{aligned}
 B_{\text{NOISE}} &= \frac{\pi}{2} (f_{3\text{dB}}) \\
 &= \frac{\pi}{2} \left(\frac{1}{2\pi R_{\text{EFFECTIVE}} C_{\text{IN}}} \right) \\
 &= \frac{1}{4R_{\text{EFFECTIVE}} C_{\text{IN}}}
 \end{aligned}$$

where $R_{\text{EFFECTIVE}}$ is the source resistance in parallel with the input resistance of the measuring device, and C_{IN} is the sum of all capacitance shunting the input to the instrument (input capacitance, cable capacitance, etc.) Note that this analysis assumes a simple first-order system with one dominant time constant.

FIGURE 2-53: Noise Current vs. Bandwidth at Various Source Resistances



To reduce noise, the bandwidth (B) may be reduced artificially by averaging an analog meter reading by eye over an extended period, or by averaging a number of digital readings with a computer, or by internal digital filtering. Using low pass filters before the readout device may also reduce bandwidth. There is a practical limit to reducing bandwidth since very long-term measurements become susceptible to other errors, such as time and temperature drift.

Temperature

Reducing the temperature of the signal source from room temperature to -270°C (3K) decreases noise voltage by a factor of about ten. Similarly, a reduction from room temperature to liquid nitrogen levels (77K) reduces noise by a factor of two. In some applications, the inconvenience and expense of cryogenic operation may be justified and feasible. However, most experiments are designed to operate within a certain temperature range, which in turn determines the noise to be expected from the source.

Source Resistance

After the bandwidth and temperature, the remaining factor in determining the system noise is the effective source resistance. The effective source resistance includes the device under test as well as the measurement instrument. Changing the source resistance is usually impractical for noise reduction. However, if a change can be made, the equations show that R should be lowered to decrease voltage noise or raised to decrease current noise.

In voltage measurements, the voltage source resistance is in parallel with the voltmeter input resistance (see **Figure 2-1**). The input resistance is normally much larger than the source resistance; hence, the source resistance value usually determines the Johnson noise voltage.

In current measurements, the source resistance and the sensing resistance both contribute noise. The effective resistance is the parallel combination of the source resistance and the feedback (or shunt) sensing resistance. Feedback ammeters with high value sensing resistors in the feedback loop have lower Johnson current noise and thus greater sensitivity than shunt ammeters with lower resistance shunts.

Excess Current Noise

The Johnson noise of a resistor is related only to the resistance, the temperature, and the bandwidth. When current passes through a resistor, the noise will increase above the calculated Johnson noise. This increase in noise is sometimes referred to as “excess current noise.” A wirewound resistor is nearly ideal and the noise increase is negligible. Metal film resistors have somewhat greater noise and carbon composition resistors are significantly noisier still. In all cases, this excess noise is directly proportional to the current through the resistor.

2.6.6 Device Connections

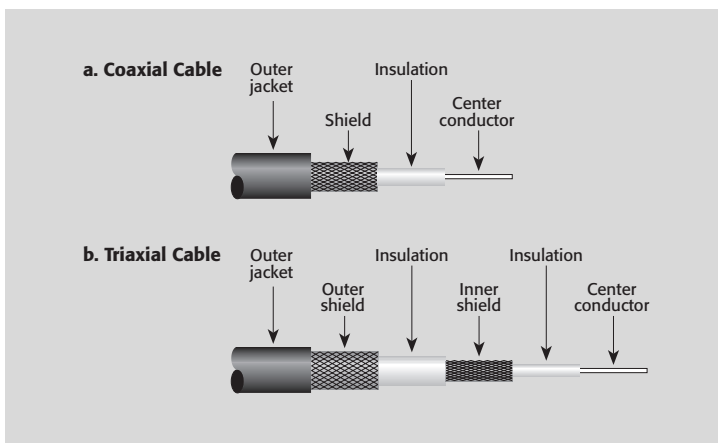
Although instrument accuracy is of great importance when making low level measurements, the integrity of device connections is equally important. The complete signal path from connectors, through the cables, and into the test fixture must degrade the measured signal as little as possible. The following paragraphs discuss cable and test fixture requirements and types of connectors generally used when making low level measurements.

Cable Requirements

Although DMMs often use unshielded test leads, such connection schemes are generally inadequate for low level measurements made with picoammeters, electrometers, and SMUs. These instruments generally use either coaxial or triaxial cables.

A coaxial cable consists of a single conductor surrounded by a shield (**Figure 2-54a**), while a triaxial cable adds a second shield around the first (**Figure 2-54b**). With triax cable, the inner shield can be driven at guard potential in order to reduce cable leakage and minimize circuit rise times.

FIGURE 2-54: Coaxial and Triaxial Cables



The outer shield is usually connected to chassis ground or, in some cases, to the common terminal. In either case, the outer shield must not be allowed to float more than 30Vrms (42.4V peak) above chassis ground for safety considerations. Always use a cable with a tightly woven shield to protect against electrostatic interference.

Both coaxial and triaxial cables are available in low noise versions, which should be used for low level measurements. Low noise cables have internal graphite coatings to minimize current generated by triboelectric effects. (See Section 2.3.4.) In some cases, ordinary coaxial cable such as RG-58 may be adequate, although both leakage and noise currents will be higher than with low noise cables.

When measuring high resistance, the insulation resistance of the cable is important. Good quality triaxial cables use polyethylene insulators and have a typical conductor-to-shield insulation resistance of about 1T Ω /ft. Refer to Section 2.2.2 for more information on insulation characteristics.

Parameters like cable resistance, capacitance, and leakage currents change as cable length increases. Thus, it's important to keep all connecting cables as short as possible. For example, a ten-foot cable with 1T Ω /ft resistance and 100pF/ft capacitance will have an insulation resistance of 100G Ω and a capacitance of 1000pF.

Connector Types

Two general types of connectors are used for electrometer, picoammeter, and SMU measurements. The BNC connector shown in **Figure 2-55** is a type of coaxial connector. It includes a center conductor and shell or shield connection, while the triax connector shown in **Figure 2-56** includes a center conductor, an inner shield, and an outer shield.

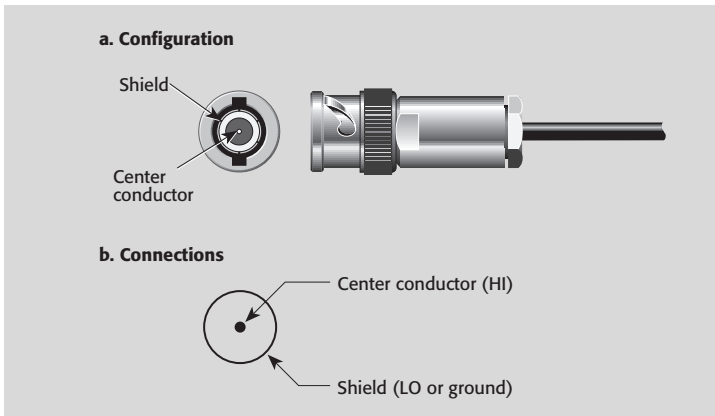


FIGURE 2-55: BNC Connector

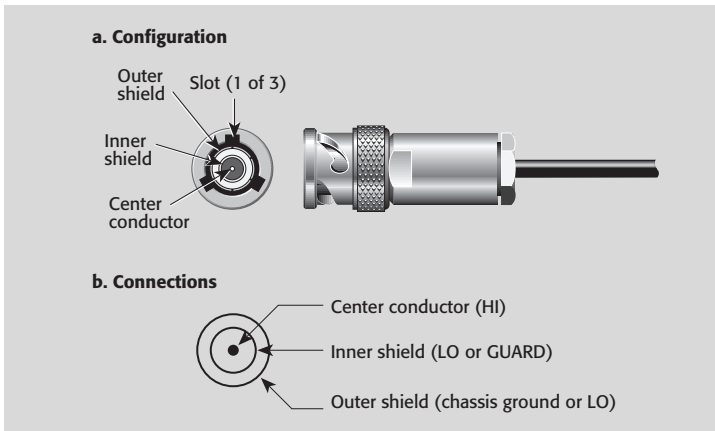


FIGURE 2-56: Three-Slot Triaxial Connector

The center conductor of the BNC connector is connected to input HI, while the outer shell is input LO. Note that the shell may be connected directly to chassis ground at the instrument.

The center conductor of the triax connector is connected to HI. The inner shield is either LO or guard, while the outer shield is usually connected to chassis ground. However, with some SMUs, the outside shield is connected to the LO terminal (common) and is allowed to float off ground. See the discussion that follows for more information on triaxial cable and guarding.

To maintain high insulation resistance, use proper insulating material between the various conductors of all connectors. Towards that goal, most

quality BNC and triax connectors use Teflon[®] insulation between conductors.

Triaxial connectors are available in both two-slot and three-slot configurations. The three-slot design is a more recent development intended to avoid connector damage that could occur when attempting to mate BNC and triax connectors. Most newer equipment uses the three-slot design. Adapters are available to convert between the two types.

Triaxial Cabling and Guarded Connections

As discussed previously, connecting a guard voltage to the shield of a coaxial cable can present a safety hazard if the guard voltage is $>30V_{rms}$. Triaxial cabling avoids this problem by surrounding the guard shield with an outer shield connected to earth ground or LO.

For unguarded operation of an electrometer, triaxial cabling is normally connected as follows:

- Center Conductor: High impedance lead (HI)
- Inner Shield: Low impedance lead (LO)
- Outer Shield: Ground (GND)

This arrangement provides the capability of safely carrying two signals, neither of which is at ground potential, while maintaining high impedance integrity by shielding both leads and maintaining a high resistance between each conductor and ground.

When an electrometer is in the guarded mode or if an SMU is used, a triaxial cable is connected in the following manner:

- Center Conductor: HI
- Inner Shield: GUARD
- Outer Shield: Ground or LO

With an electrometer, the guard connection is useful when measuring high resistance or when measuring voltage from a high source resistance. It's not needed when measuring low current, because the guard in a feedback ammeter circuit of an electrometer is always LO. Newer electrometers provide internal switching to change between guarded and unguarded connections.

When using an SMU to measure low current, the guard terminal is used to reduce leakage current of the cable and test fixturing.

Test Fixture Requirements

Test fixtures used for low level measurements have several important requirements:

- *Insulation Resistance:* The insulation resistance of all connectors, internal wiring, terminals, and sockets should be as high as possible. Generally, a good-quality fixture will use Teflon insulation in all connectors and sockets.

- *Shielding and Guarding:* The fixture should provide adequate shielding for sensitive circuits. For high impedance measurements, provisions should be included to carry guard into the fixture as close to the DUT as possible.
- *Light:* A light-tight fixture is a necessity when testing light-sensitive components.
- *Special Fixture Requirements:* Special applications, such as high resistance or very low current measurements, often require fixtures designed with good insulation characteristics, which may only be possible by using special materials, such as sapphire.

2.6.7 Analog Outputs

Some electrometers have two analog outputs, a 2V analog output as well as a preamplifier, or unity gain output. The 2V analog output is useful for connecting to recorders while the preamp output is useful for buffering, guarding, and external feedback. This section discusses these outputs and possible loading errors when using these outputs. Refer to Section 2.6.8 for details on using the analog output with a floating input.

2V Analog Output

The typical analog output is $\pm 2V$ for a full scale input signal. Depending on the instrument design and function, the output may be inverting or non-inverting. The output resistance may range from 1Ω to $10k\Omega$. Any device connected to the output, such as a chart recorder or oscilloscope, will have a finite input resistance and will attenuate the analog output. See the section on *Loading Errors* for more information.

Preamp Output

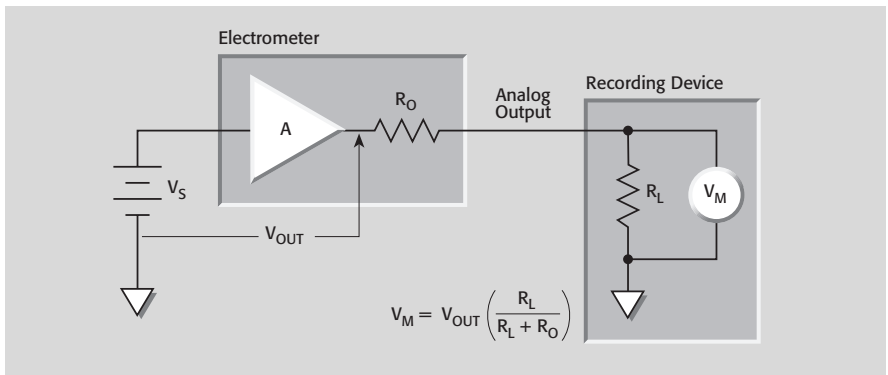
The preamp output follows the signal amplitude applied to the input terminal of the electrometer. The preamp out is the guard voltage for volts and ohms (constant-current method only). It's useful for buffering the input signal. It may be inverting or non-inverting, depending on the function selected.

Loading Errors

Although the output resistance of a typical analog output is low, it isn't zero, so consider the possibility of loading by external instrumentation. In principle, the concepts of analog output loading are identical to those for source loading, discussed in Section 2.2.1.

Figure 2-57 demonstrates how loading can affect the accuracy of the analog output. A voltage to be measured (V_S) is applied to the electrometer input. The signal is amplified by an amplifier (A) with output resistance (R_O), then connected to a recording device. The input resistance of the recording device (R_I) and the analog output resistance (R_O) form a voltage divider that attenuates the output signal. For a typical analog output resistance of $1k\Omega$, the recording device must have an input resistance of at least

FIGURE 2-57: Analog Output Loading



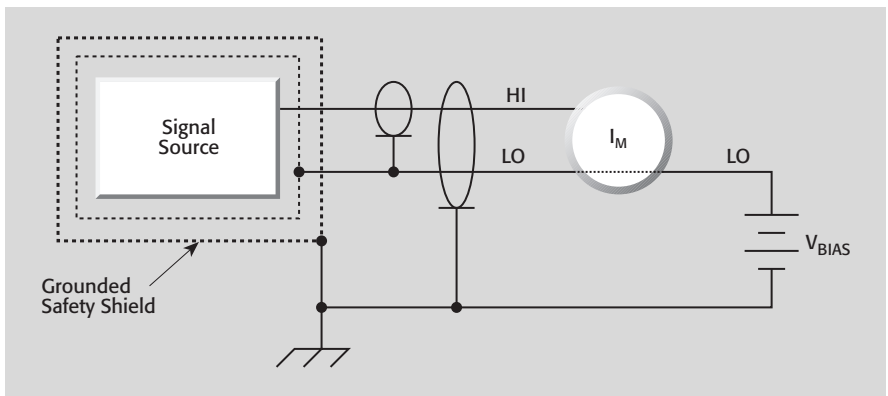
$1M\Omega$ if error due to loading is to be kept under 0.1%. This error can be calculated using the equation shown in **Figure 2-57**.

2.6.8 Floating Input Signals

The majority of electrometer or picoammeter applications involve an input signal referred to earth ground. However, in some applications, it's necessary that the electrometer or picoammeter be biased off ground. Examples of such applications include the flame ionization detector of a gas chromatograph and the Faraday cup in a mass spectrometer.

In a typical low level test setup, shielding is required to reduce noise, as shown in **Figure 2-58**. In most cases, this "noise" shield is connected to the LO input terminal of the meter. If the LO terminal must be biased more than 30V with respect to earth ground, the noise shield will be at a hazardous voltage and will pose a shock hazard. To avoid shock hazards with

FIGURE 2-58: Safety Shielding with Floating Circuits



floating circuits, a second grounded safety shield must be added to enclose the noise shield completely.

Most picoammeters and electrometers use a triaxial input connector with the outside shield connected to earth ground for safety. By using a triaxial connector at the safety shield and a triaxial cable between the test setup and the instrument, a completely shielded and safe system will result. Note: Maximum float voltage ratings must be observed to prevent breakdown between the inner conductors and the outer grounded shield.

For SMUs with the outside shield connected to LO and for picoammeters with a coax input, the input should not be allowed to float more than 30Vrms (42V peak) from ground.

2.6.9 Electrometer Verification

All measuring instruments require periodic recalibration, typically once per year. It may be desirable to check the functions of the instrument more frequently. This section describes simple tests to verify electrometer functions.

Amperes

First, turn the power on and allow the meter to warm up for the time specified in the service manual. Then place a shield cap over the input connector and link the low impedance input terminal to ground. The zero check should be enabled. Next, set the meter to the most sensitive current range, zero the meter, and then disable the zero-check switch. After several seconds, the meter reading should settle to within a few digits. The indicated current is the input offset. If it exceeds the instrument specification by 25% or so, leave the power on overnight and repeat the test. If the current is still excessive, the instrument should be repaired.

The ammeter input should never be short-circuited because it will then have no negative feedback. While no damage will occur, the result will be meaningless.

Volts

A single flashlight cell or a 9V battery will give a rough check on the voltage function. (Be sure to try both polarities.)

Ohms

The ohms function can be checked with almost any known resistor, but it's best to use as high a resistance as possible.

Coulombs

The coulombs function can be checked using a low leakage capacitor and a voltage source. A known capacitor in the range of 100pF to 1000pF can be charged to a known voltage via a flashlight cell. The capacitor is then connected to the electrometer input after setting the meter to coulombs and disabling the zero check switch. Conversely, this procedure can be used to determine the value of the capacitor.

SECTION 3

Measurements from
Low Resistance
Sources

3.1 Introduction

Low voltage and low resistance measurements are often made on devices and materials with low source impedance. While Section 1 described instruments for measuring low voltage and low resistance, Section 3 describes how to use these instruments to make accurate measurements, including a discussion of various error sources and ways to minimize their effect on measurement integrity:

- 3.2 Low Voltage Measurements: Discussion of potential error sources and how to minimize their impact on low voltage measurement accuracy. These error sources include offset voltages, noise and common-mode current, and reversal errors.
- 3.3 Low Resistance Measurements: Topics include lead resistance, thermoelectric EMFs, non-ohmic contacts, device heating, dry circuit testing, and measuring inductive devices.

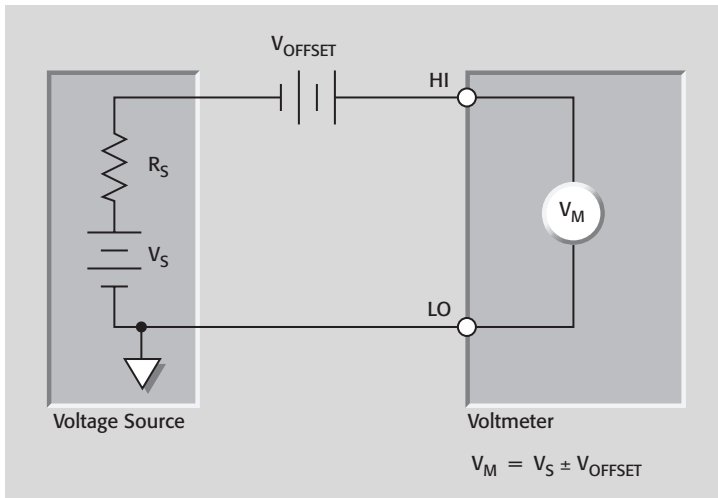
3.2 Low Voltage Measurements

Significant errors may be introduced into low voltage measurements by offset voltages and noise sources that can normally be ignored when measuring higher voltage levels. The following paragraphs discuss factors that can affect low voltage measurement accuracy.

3.2.1 Offset Voltages

Ideally, when a voltmeter is connected to a relatively low impedance circuit in which no voltages are present, it should read zero. However, a number of error sources in the circuit may be seen as a non-zero voltage offset.

FIGURE 3-1: Effects of Offset Voltages on Voltage Measurement Accuracy



These sources include thermoelectric EMFs, offsets generated by rectification of RFI (radio frequency interference), and offsets in the voltmeter input circuit.

As shown in **Figure 3-1**, any offset voltage (V_{OFFSET}) will add to or subtract from the source voltage (V_S) so that the voltage measured by the meter becomes:

$$V_M = V_S \pm V_{\text{OFFSET}}$$

The relative polarities of the two voltages will determine whether the offset voltage adds to or subtracts from the source voltage.

For example, assume $V_S = 5\mu\text{V}$ and $V_{\text{OFFSET}} = 250\text{nV}$. If the voltage polarities are in opposition, the voltmeter reading will be:

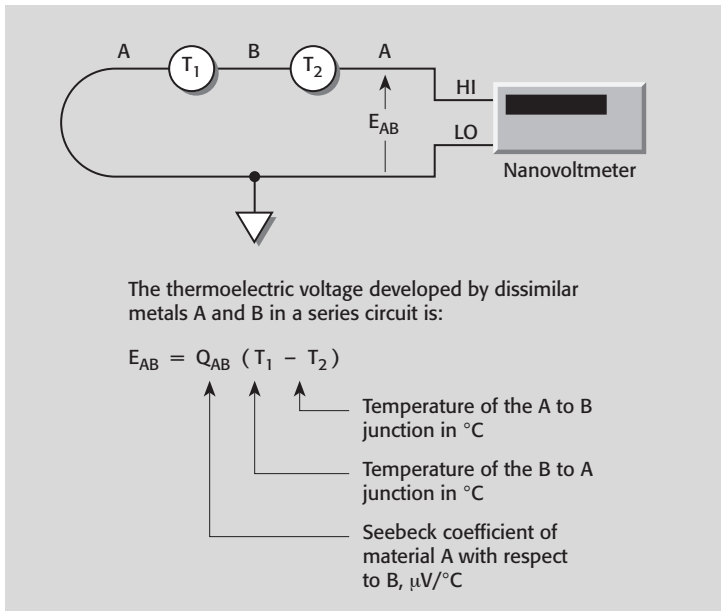
$$V_M = (5 \times 10^{-6}) - (250 \times 10^{-9})$$

$$V_M = 4.75 \times 10^{-6}$$

$$V_M = 4.75\mu\text{V} \text{ (an error of } -5\%)$$

Steady offsets can generally be nulled out by shorting the ends of the test leads together, then enabling the instrument's zero (relative) feature. Note, however, that cancellation of offset drift may require frequent rezeroing, particularly in the case of thermoelectric EMFs.

FIGURE 3-2: Thermoelectric EMFs



Thermoelectric EMFs

Thermoelectric voltages (thermoelectric EMFs) are the most common source of errors in low voltage measurements. These voltages are generated when different parts of a circuit are at different temperatures and when conductors made of dissimilar materials are joined together, as shown in **Figure 3-2**. The Seebeck coefficients (Q_{AB}) of various materials with respect to copper are summarized in **Table 3-1**.

TABLE 3-1: Seebeck Coefficients

Paired Materials*	Seebeck Coefficient, Q_{AB}
Cu - Cu	$\leq 0.2 \mu\text{V}/^\circ\text{C}$
Cu - Ag	$0.3 \mu\text{V}/^\circ\text{C}$
Cu - Au	$0.3 \mu\text{V}/^\circ\text{C}$
Cu - Pb/Sn	$1-3 \mu\text{V}/^\circ\text{C}$
Cu - Si	$400 \mu\text{V}/^\circ\text{C}$
Cu - Kovar	$\sim 40-75 \mu\text{V}/^\circ\text{C}$
Cu - CuO	$\sim 1000 \mu\text{V}/^\circ\text{C}$

* Ag = silver Au = gold Cu = copper CuO = copper oxide
Pb = lead Si = silicon Sn = tin

Constructing circuits using the same material for all conductors minimizes thermoelectric EMF generation. For example, connections made by crimping copper sleeves or lugs on copper wires results in copper-to-copper junctions, which generate minimal thermoelectric EMFs. Also, connections must be kept clean and free of oxides. Crimped copper-to-copper connections, called “cold welded,” do not allow oxygen penetration and may have a Seebeck coefficient of $\leq 0.2 \mu\text{V}/^\circ\text{C}$, while Cu-CuO connections may have a coefficient as high as $1 \text{mV}/^\circ\text{C}$.

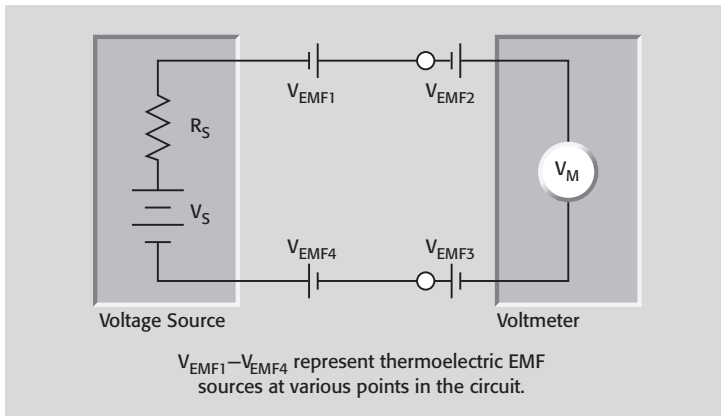
Minimizing temperature gradients within the circuit also reduces thermoelectric EMFs. A technique for minimizing such gradients is to place corresponding pairs of junctions in close proximity to one another and to provide good thermal coupling to a common, massive heat sink. Electrical insulators having high thermal conductivity must be used, but, since most electrical insulators don’t conduct heat well, special insulators such as hard anodized aluminum, beryllium oxide, specially filled epoxy resins, sapphire, or diamond must be used to couple junctions to the heat sink.

Allowing test equipment to warm up and reach thermal equilibrium in a constant ambient temperature also minimizes thermoelectric EMF effects. The instrument zero feature can compensate for any remaining thermoelectric EMF, provided it is relatively constant. To keep ambient temperatures constant, equipment should be kept away from direct sunlight, exhaust fans, and similar sources of heat flow or moving air. Wrapping connections in insulating foam (e.g., polyurethane) also minimizes ambient temperature fluctuations caused by air movement.

Connections to Avoid Thermoelectric EMFs

Connections in a simple low voltage circuit, as shown in **Figure 3-3**, will usually include dissimilar materials at different temperatures. This results in a number of thermoelectric EMF sources, all connected in series with the voltage source and the meter. The meter reading will be the algebraic sum of all these sources. Therefore, it is important that the connection between the signal source and the measuring instrument doesn't interfere with the reading. The following paragraphs provide tips on making good connections to minimize thermoelectric voltages.

FIGURE 3-3: Connections from Voltage Source to Voltmeter



If all the connections can be made of one metal, the amount of thermoelectric EMF added to the measurement will be negligible. However, this may not always be possible. Test fixtures often use spring contacts, which may be made of phosphor-bronze, beryllium-copper, or other materials with high Seebeck coefficients. In these cases, a small temperature difference may generate a large enough thermoelectric voltage to affect the accuracy of the measurement.

If dissimilar metals cannot be avoided, an effort should be made to reduce the temperature gradients throughout the test circuit by use of a heat sink or by shielding the circuit from the source of heat.

Measurements of sources at cryogenic temperatures pose special problems since the connections between the sample in the cryostat and the voltmeter are often made of metals with lower thermal conductivity than copper, such as iron, which introduces dissimilar metals into the circuit. In addition, since the source may be near zero Kelvin while the meter is at 300K, there is a very large temperature gradient. Matching the composition of the wires between the cryostat and the voltmeter and keeping all dissimilar metal junction pairs at the same temperature allows making very low voltage measurements with good accuracy.

Reversing Sources to Cancel Thermoelectric EMFs

When measuring a small voltage, such as the difference between two standard cells or the difference between two thermocouples connected back-to-back, the error caused by stray thermoelectric EMFs can be canceled by taking one measurement, then carefully reversing the two sources and taking a second measurement. The average of the difference between these two readings is the desired voltage difference.

In **Figure 3-4**, the voltage sources, V_a and V_b , represent two standard cells (or two thermocouples). The voltage measured in **Figure 3-4a** is:

$$V_1 = V_{emf} + V_a - V_b$$

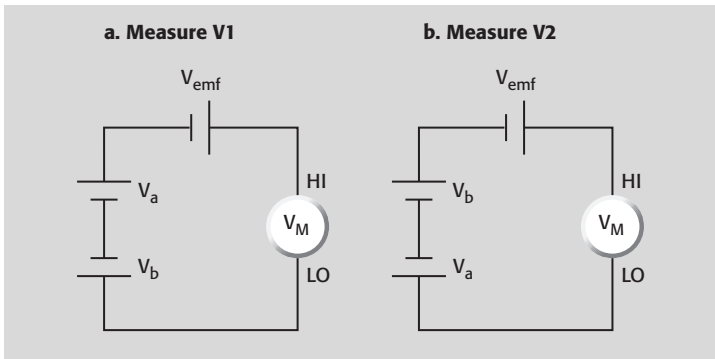
The two cells are reversed in **Figure 3-4b** and the measured voltage is:

$$V_2 = V_{emf} + V_b - V_a$$

The average of the difference between these two measurements is:

$$\frac{V_1 - V_2}{2} = \frac{V_{emf} + V_a - V_b - V_{emf} - V_b + V_a}{2} \text{ or } V_a - V_b$$

FIGURE 3-4: Reversing Sources to Cancel Thermoelectric EMFs

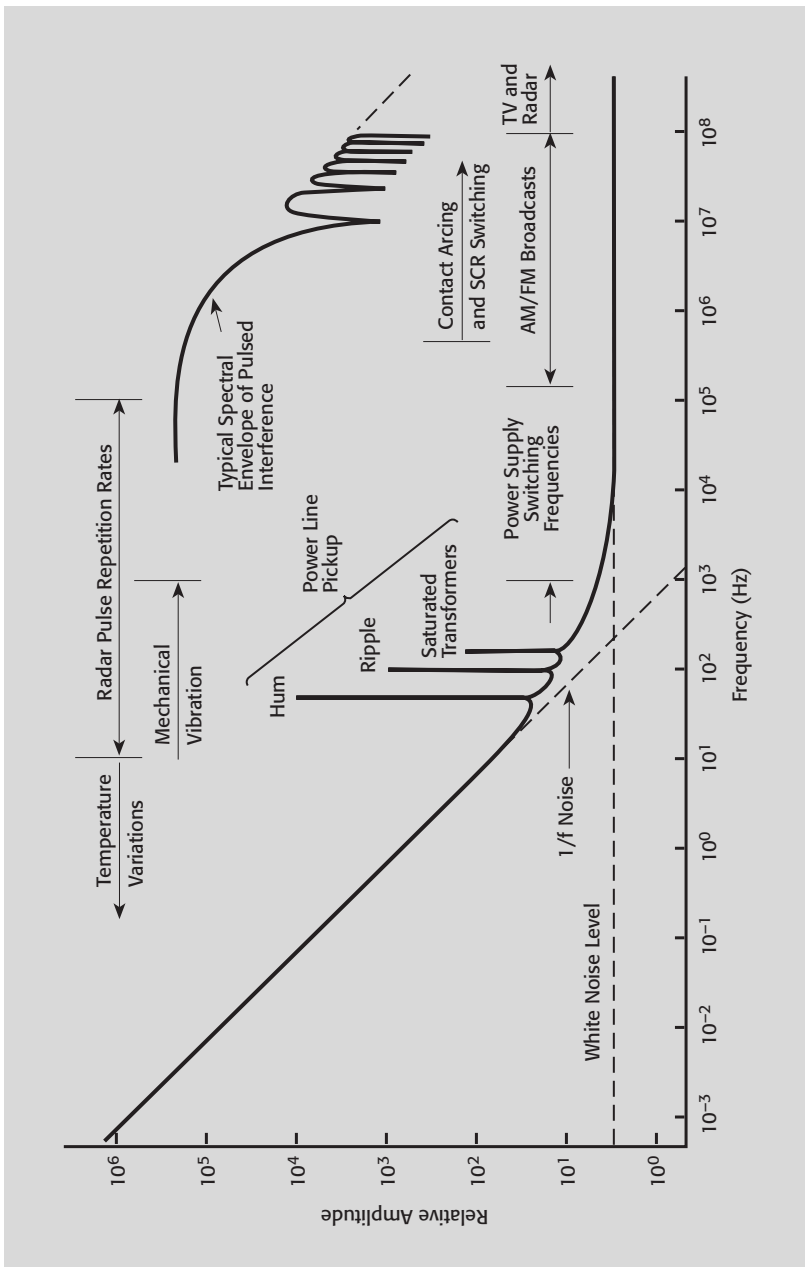


Notice that this measurement technique effectively cancels out the thermoelectric EMF term (V_{emf}), which represents the algebraic sum of all thermoelectric EMFs in the circuit except those in the connections between V_a and V_b . If the measured voltage is the result of a current flowing through an unknown resistance, then either the current-reversal method or the offset-compensated ohms method may be used to cancel the thermoelectric EMFs. These methods are described in Section 3.3.2.

RFI/EMI

RFI (Radio Frequency Interference) and EMI (Electromagnetic Interference) are general terms used to describe electromagnetic interference over a wide range of frequencies across the spectrum. **Figure 3-5** shows the general fre-

FIGURE 3-5: Voltage Noise Frequency Spectrum



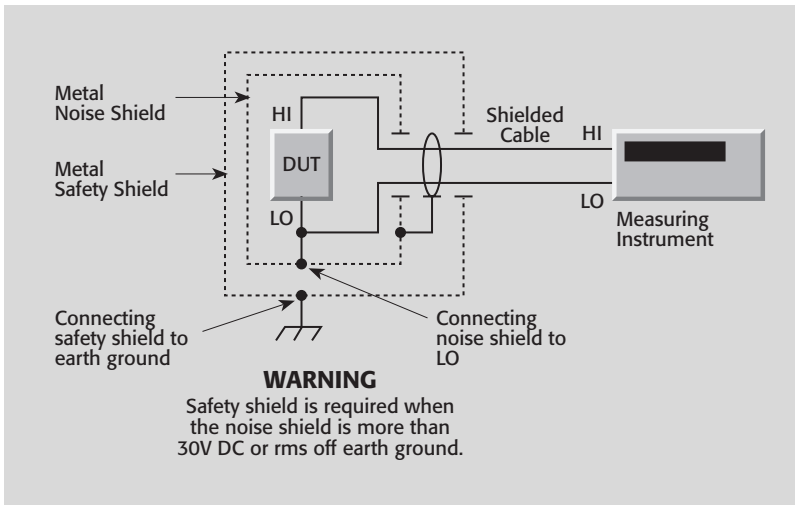
quency spectrum of these interference sources in comparison with other noise signals such as $1/f$ and thermal noise.

RFI or EMI can be caused by sources such as TV or radio broadcast signals or it can be caused by impulse sources, as in the case of high voltage arcing (see **Figure 3-5**). In either case, the effects on the measurement can be considerable if enough of the unwanted signal is present.

RFI/EMI interference may manifest itself as a steady reading offset or it may result in noisy or erratic readings. A reading offset may be caused by input amplifier overload or DC rectification at the input.

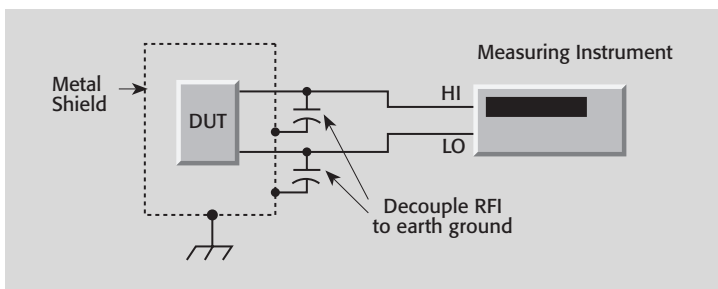
RFI and EMI can be minimized by taking several precautions when making sensitive measurements. The most obvious precaution is to keep all instruments, cables, and DUTs as far from the interference source as possible. Shielding the test leads and the DUT (**Figure 3-6**) will often reduce interference effects to an acceptable level. Noise shields should be connected to input LO. In extreme cases, a specially constructed screen room may be necessary to attenuate the troublesome signal sufficiently.

FIGURE 3-6: Shielding to Attenuate RFI/EMI Interference



If all else fails to prevent RF interference from being introduced into the input, external filtering of the device input paths may be required, as shown in **Figure 3-7**. In many cases, a simple one-pole filter may be sufficient; in more difficult cases, multiple-pole notch or band-stop filters may be required. In particular, multiple capacitors of different values may be connected in parallel to provide low impedance over a wide frequency range. Keep in mind, however, that such filtering may have other detrimental effects, such as increased response time on the measurement.

FIGURE 3-7: Shielded Connections to Reduce Induced RFI/EMI



Internal Offsets

Nanovoltmeters and nanovolt preamplifiers will rarely indicate zero when no voltage is applied to the input, since there are unavoidable voltage offsets present in the input of the instrument. A short circuit can be connected across the input terminals and the output can then be set to zero, either by front panel zero controls or by computer control. If the short circuit has a very low thermoelectric EMF, this can be used to verify input noise and zero drift with time. Clean, pure copper wire will usually be suitable. However, the zero established in this manner is useful only for verification purposes and is of no value in the end application of the instrument.

If the instrument is being used to measure a small voltage drop resulting from the flow of current through a resistor, the following procedure will result in a proper zero. First, the instrument should be allowed to warm up for the specified time, usually one to two hours. During this time, the connections should be made between the device under test and the instrument. No current should be supplied to the device under test to allow the temperature gradients to settle to a minimum, stable level. Next, the zero adjustment should be made. In some instruments, this is done by pressing REL (for Relative) or ZERO button. The instrument will now read zero. When the test current is applied, the instrument will indicate the resulting voltage drop.

In some applications, the voltage to be measured is always present and the preceding procedure cannot be used. For example, the voltage difference between two standard cells is best observed by reversing the instrument connections to the cells and averaging the two readings. This same technique is used to cancel offsets when measuring the output of differential thermocouples. This is the same method used to cancel thermoelectric EMFs and is described in more detail in the paragraph entitled, "Reversing Sources to Cancel Thermoelectric EMFs." See **Figure 3-4**.

Zero Drift

Zero drift is a change in the meter reading with no input signal (measured with the input shorted) over a period of time. The zero drift of an instru-

ment is almost entirely determined by the input stage. Most nanovoltmeters use some form of chopping or modulation of the input signal to minimize the drift.

The zero reading may also vary as the ambient temperature changes. This effect is usually referred to as the temperature coefficient of the voltage offset.

In addition, an instrument may display a transient temperature effect. After a step change in the ambient temperature, the voltage offset may change by a relatively large amount, possibly exceeding the published specifications. The offset will then gradually decrease and eventually settle to a value close to the original value. This is the result of dissimilar metal junctions in the instrument with different thermal time constants. While one junction will adjust to the new ambient temperature quickly, another changes slowly, resulting in a temporary change in voltage offset.

To minimize voltage offsets due to ambient temperature changes in junctions, make measurements in a temperature controlled environment and/or slow down temperature changes by thermally shielding the circuit.

3.2.2 Noise

Significant errors can be generated by noise sources, which include Johnson noise, magnetic fields, and ground loops. An understanding of these noise sources and the methods available to minimize them is crucial to making meaningful low voltage measurements.

Johnson noise

The ultimate limit of resolution in an electrical measurement is defined by Johnson or thermal noise. This noise is the voltage associated with the motion of electrons due to their thermal energy at temperatures above absolute zero. All voltage sources have internal resistance, so all voltage sources develop Johnson noise.

A plot of thermal noise voltage as a function of resistance and bandwidth at a temperature of 290K is shown in **Figure 3-8**. This voltage is related to the temperature, noise bandwidth, and the source resistance. The noise voltage developed by a metallic resistance can be calculated from the following equation:

$$V = \sqrt{4kTBR}$$

where: V = rms noise voltage developed in source resistance

k = Boltzmann's constant, 1.38×10^{-23} joule/K

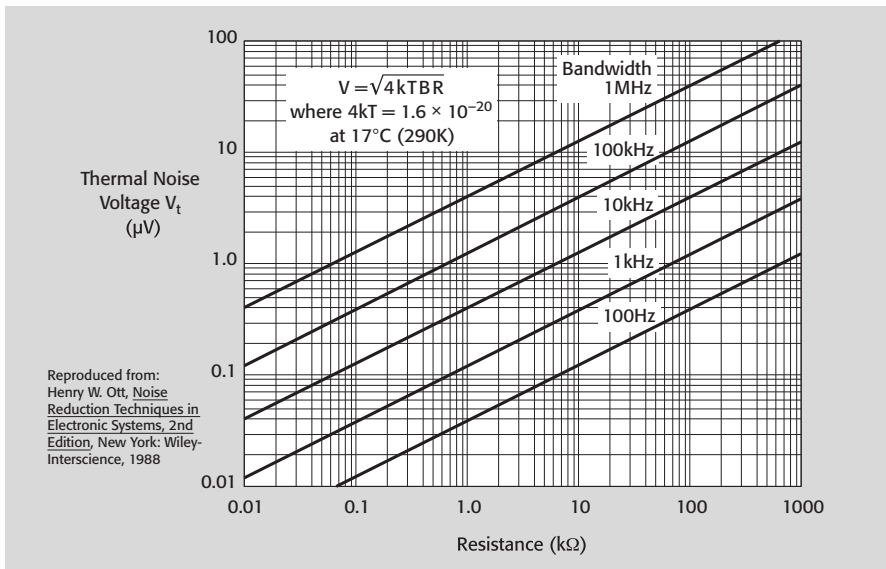
T = absolute temperature of the source in kelvin

B = noise bandwidth in hertz

R = resistance of the source in ohms

For example, at room temperature (290K), a source resistance of 10k Ω with a measurement bandwidth of 5kHz will have almost 1 μ V rms of noise.

FIGURE 3-8: Thermal Noise Voltage as a Function of Resistance and Bandwidth



Johnson noise may be reduced by lowering the temperature of the source resistance and by decreasing the bandwidth of the measurement. Cooling the sample from room temperature (290K) to liquid nitrogen temperature (77K) decreases the voltage noise by approximately a factor of two.

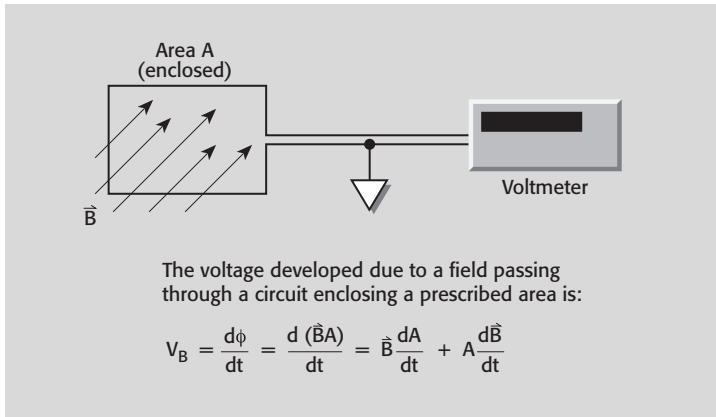
If the voltmeter has adjustable filtering and integration, the bandwidth can be reduced by increasing the amount of filtering and/or by integrating over multiple power line cycles. Decreasing the bandwidth of the measurement is equivalent to increasing the response time of the instrument, and as a result, the measurement time is much longer. However, if the measurement response time is long, the thermoelectric EMFs associated with the temperature gradients in the circuit become more important. Sensitive measurements may not be achieved if the thermal time constants of the measurement circuit are of the same order as the response time. If this occurs, distinguishing between a change in signal voltage and a change in thermoelectric EMFs becomes impossible.

Johnson noise is discussed in more detail in Section 2.6.5.

Magnetic Fields

Magnetic fields generate error voltages in two circumstances: 1) if the field is changing with time, and 2) if there is relative motion between the circuit and the field. Voltages in conductors can be generated from the motion of a conductor in a magnetic field, from local AC currents caused by components in the test system, or from the deliberate ramping of the magnetic

FIGURE 3-9: Low Voltages Generated by Magnetic Fields



field, such as for magneto-resistance measurements. Even the earth's relatively weak magnetic field can generate nanovolts in dangling leads, so leads must be kept short and rigidly tied down.

Basic physics shows that the amount of voltage a magnetic field induces in a circuit is proportional to the area the circuit leads enclose and the rate of change in magnetic flux density, as shown in **Figure 3-9**. The induced voltage (V_B) is calculated as follows:

$$V_B = \frac{d\phi}{dt} = \frac{d(\vec{B}A)}{dt} = \vec{B} \frac{dA}{dt} + A \frac{d\vec{B}}{dt}$$

where: V_B = induced voltage

A = loop area

\vec{B} = magnetic flux density

$\phi = \vec{B}A$ = magnetic flux

The induced voltage is proportional both to the magnitude of A and \vec{B} , as well as to the rate of change in A and \vec{B} , so there are two ways to minimize the induced voltage:

- Keep both A and \vec{B} to a minimum by reducing loop area and avoiding magnetic fields, if possible; and
- Keep both A and \vec{B} constant by minimizing vibration and movement, and by keeping circuits away from AC and RF fields.

To minimize induced magnetic voltages, leads must be run close together and magnetically shielded and they should be tied down to minimize movement. Mu-metal, a special alloy with high permeability at low magnetic flux densities and at low frequencies, is a commonly used magnetic shielding material.

FIGURE 3-10: Minimizing Interference from Magnetic Fields

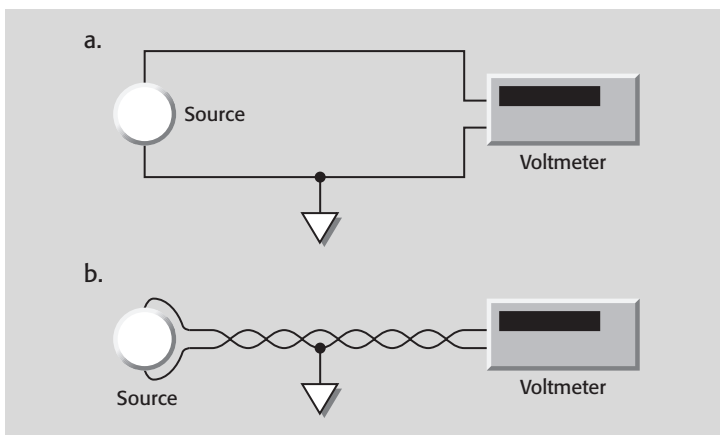


Figure 3-10 shows two ways of locating the leads from the source to the voltmeter. In **Figure 3-10a**, a large area is enclosed; thus, a large voltage is developed. In **Figure 3-10b**, a much smaller area is enclosed because the leads are twisted together, and the voltage induced is considerably reduced. Twisted pair also cancels magnetically induced voltages because each adjacent twist couples a small but alternating polarity (equal) voltage.

Conductors that carry large currents should also be shielded or run as twisted pairs to avoid generating magnetic fields that can affect nearby circuits. In addition to these techniques, AC signals from magnetic fields can be filtered at the input of the instrument. If possible, the signal source and the instrument should be physically relocated further away from the interfering magnetic field.

Ground Loops

Noise and error voltages also arise from ground loops. When there are two connections to earth, such as when the source and measuring instruments are both connected to a common ground bus, a loop is formed as shown in **Figure 3-11a**. A voltage (V_G) between the source and instrument grounds will cause a current (I) to flow around the loop. This current will create an unwanted voltage in series with the source voltage. From Ohm's Law:

$$V_G = IR$$

where V_G = ground loop interfering voltage, R = the resistance in the signal path through which the ground loop current flows, and I = the ground loop current. A typical example of a ground loop can be seen when a number of instruments are plugged into power strips on different instrument racks. Frequently, there is a small difference in potential between the ground points. This potential difference can cause large currents to circulate and create unexpected voltage drops.

FIGURE 3-11a: Multiple Grounds (Ground Loops)

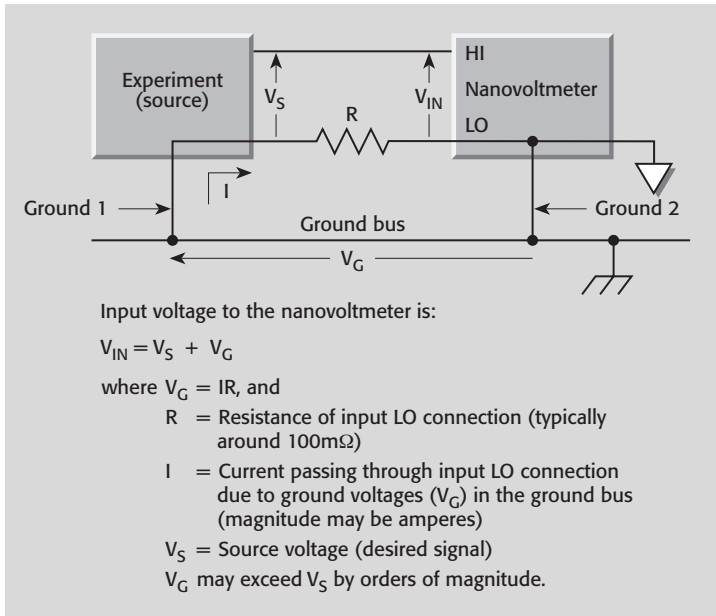
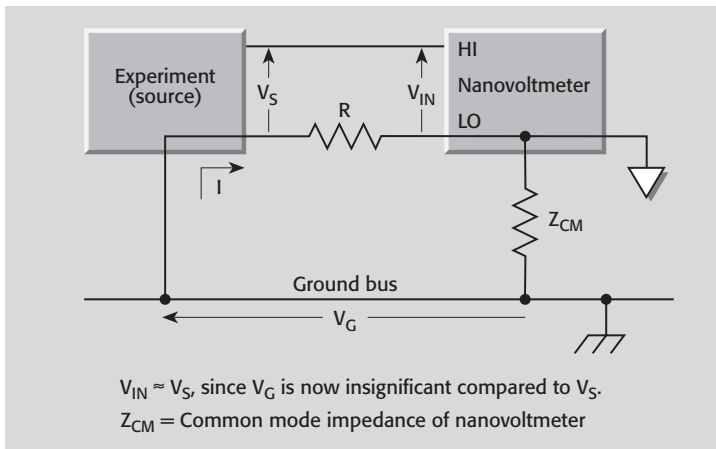


FIGURE 3-11b: Reduced Ground Loops



The cure for such ground loops is to ground all equipment at a single point. The easiest way of accomplishing this is to use isolated power sources and instruments, then find a single, good earth-ground point for the entire system. Avoid connecting sensitive instruments to the same ground system

used by other instruments, machinery, or other high power equipment. As shown in **Figure 3-11b**, ground loops can also be reduced by using a voltmeter with high common mode impedance (Z_{CM}), also known as common mode isolation.

3.2.3 Common-Mode Current and Reversal Errors

Excessive common-mode current can significantly affect low-level voltage measurements. Although common-mode currents are most often associated with noise problems, they can result in large DC offsets in some cases. In the following paragraphs, we will briefly discuss the basic principles behind errors generated by common-mode currents and ways to avoid lead reversal errors.

Common-Mode Current

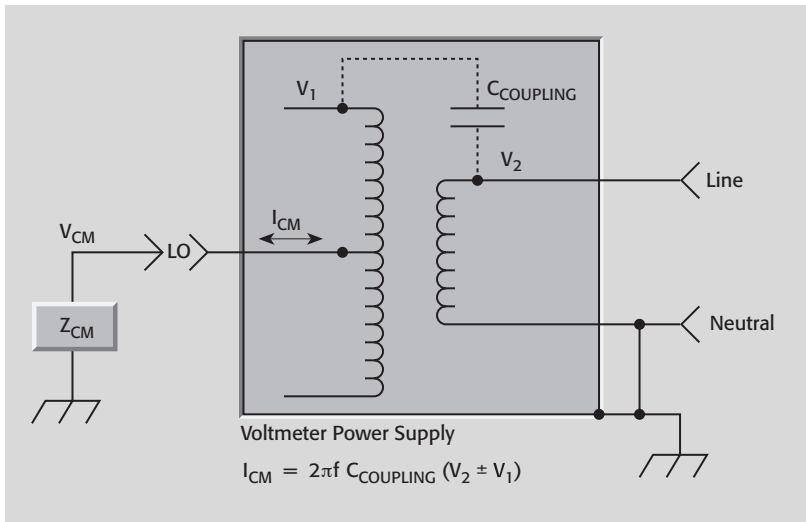
Common-mode current is the current that flows between the instrument's LO terminal and chassis or earth ground. As shown in **Figure 3-12**, common-mode current (I_{CM}) is caused by capacitive coupling ($C_{COUPLING}$) from the power line through the power transformer. The amplitude of the common-mode current is defined as:

$$I_{CM} = 2\pi f C_{COUPLING} (V_2 \pm V_1)$$

where f is the power line frequency.

Note that the common-mode current flows through the impedance (Z_{CM}), which is present between input LO and chassis ground. As a result, the amplitude of voltage (V_{CM}) depends on the magnitude of Z_{CM} as well as the value of I_{CM} .

FIGURE 3-12: Common Mode Current Generation by Power Line Coupling



Common-Mode Reversal Errors

Reversing leads can result in errors caused by common-mode currents. As shown in **Figure 3-13**, many low voltage sources have internal resistive dividers, which attenuate an internal voltage source to the desired level. For example, the output voltage from the source is defined as:

$$V_{\text{OUTPUT}} = V_S \left(\frac{R_2}{R_1 + R_2} \right)$$

With the correct connection scheme shown in **Figure 3-13a**, the low or chassis side of the voltage source is connected to input LO of the measuring instrument. Any common-mode current (I_{CM}) that may be present flows from the voltmeter input LO to instrument chassis common, through earth ground to voltage source ground. Note that no common-mode current flows through either of the two divider resistors of the voltage source when this connection scheme is used.

If the input leads of the voltmeter are reversed, we have the situation shown in **Figure 3-13b**. Now, the common-mode current (I_{CM}) flows through R_2 , developing a voltage drop, which is added to the voltage to be measured. This added voltage is mainly power line frequency and its effect on the voltmeter reading will depend upon the normal-mode rejection capability of the meter. The reading may become noisy or it may have a constant offset. In some cases, the sensitivity of the meter may be reduced, because the input stages are overloaded.

To minimize common-mode reversal errors, choose an instrument with the lowest possible common-mode current. If possible, the voltage source being measured should be isolated from ground.

3.3 Low Resistance Measurements

Aside from all the low voltage measurement considerations described in Section 3.2, low resistance measurements are subject to additional error sources, including lead resistance, non-ohmic contacts, and device heating. This section describes these error sources and methods to eliminate or minimize them. Other measurement considerations, including dry circuit testing and testing inductive devices, are also described.

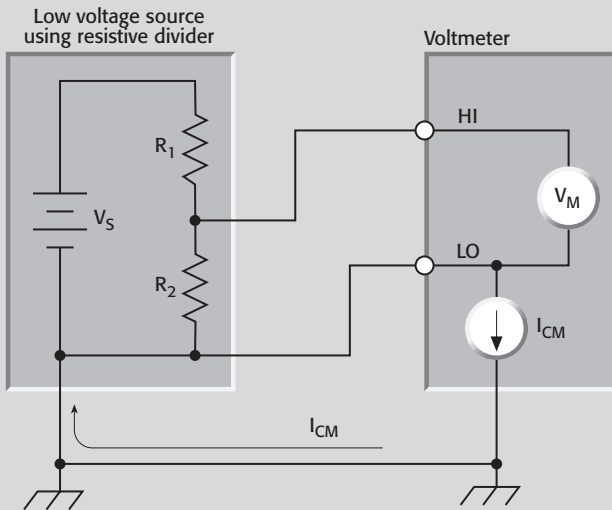
3.3.1 Lead Resistance and Four-Wire Method

Resistance measurements are often made using the two-wire method shown in **Figure 3-14**. The test current is forced through the test leads and the resistance (R) being measured. The meter then measures the voltage across the resistance through the same set of test leads and computes the resistance value accordingly.

The main problem with the two-wire method as applied to low resistance measurements is that the total lead resistance (R_{LEAD}) is added to the measurement. Since the test current (I) causes a small but significant volt-

FIGURE 3-13: Effects of Reversing Leads on Common Mode Errors

a. With proper connections, I_{CM} generates no noise or offset.



b. With reversed connections, I_{CM} generates noise and possible offset.

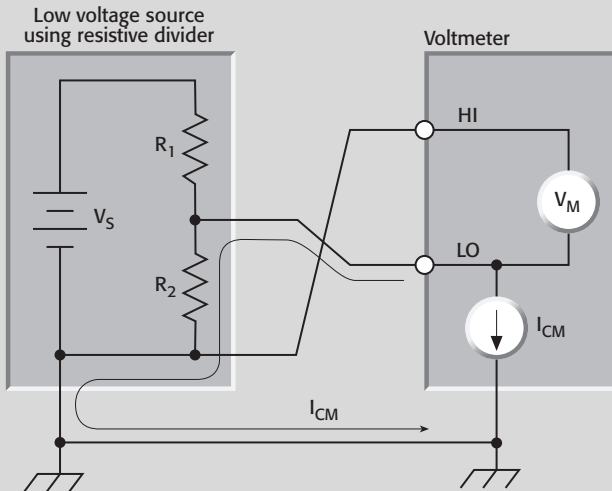


FIGURE 3-14: Two-Wire Resistance Measurement

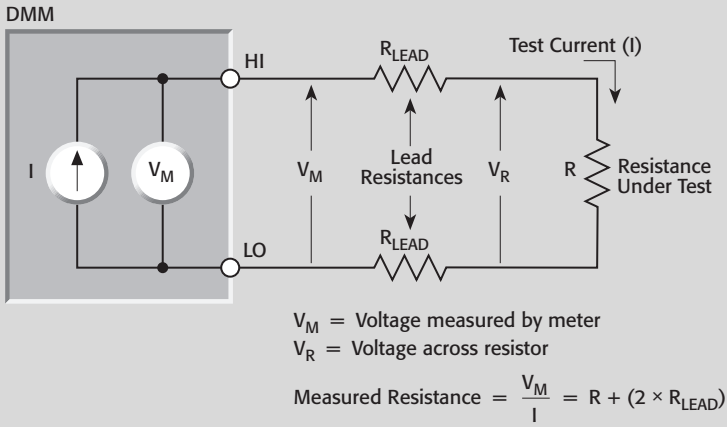
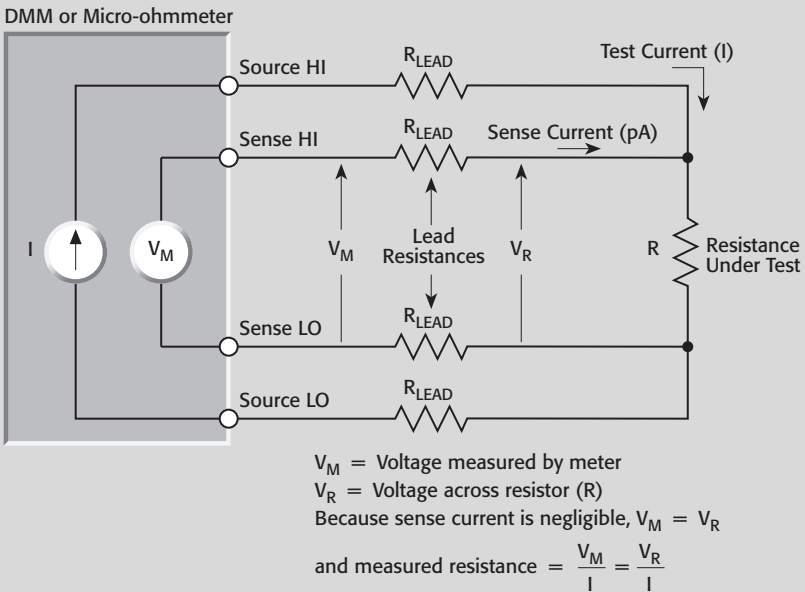


FIGURE 3-15: Four-Wire Resistance Measurement



age drop across the lead resistances, the voltage (V_M) measured by the meter won't be exactly the same as the voltage (V_R) directly across the test resistance (R), and considerable error can result. Typical lead resistances lie in the range of $1\text{m}\Omega$ to $10\text{m}\Omega$, so it's very difficult to obtain accurate two-wire resistance measurements when the resistance under test is lower than 10Ω to 100Ω (depending on lead resistance).

Due to the limitations of the two-wire method, the four-wire (Kelvin) connection method shown in **Figure 3-15** is generally preferred for low resistance measurements. These measurements can be made using a DMM, micro-ohmmeter, or a separate current source and voltmeter. With this configuration, the test current (I) is forced through the test resistance (R) through one set of test leads, while the voltage (V_M) across the DUT is measured through a second set of leads called sense leads. Although some small current may flow through the sense leads, it is usually negligible and can generally be ignored for all practical purposes. The voltage drop across the sense leads is negligible, so the voltage measured by the meter (V_M) is essentially the same as the voltage (V_R) across the resistance (R). Consequently, the resistance value can be determined much more accurately than with the two-wire method. Note that the voltage-sensing leads should be connected as close to the resistor under test as possible to avoid including the resistance of the test leads in the measurement.

3.3.2 Thermoelectric EMFs and Offset Compensation Methods

Thermoelectric voltages, as described in Section 3.2.1, can seriously affect low resistance measurement accuracy. The current-reversal method, the delta method, and the offset-compensated ohms method are three common ways to overcome these unwanted offsets.

Current-Reversal Method

Thermoelectric EMFs can be canceled by making two measurements with currents of opposite polarity, as shown in **Figure 3-16**. In this diagram, a voltmeter with a separate bipolar current source is used. With the positive current applied as in **Figure 3-16a**, the measured voltage is:

$$V_{M+} = V_{EMF} + IR$$

Reversing the current polarity as shown in **Figure 3-16b** yields the following voltage measurement:

$$V_{M-} = V_{EMF} - IR$$

The two measurements can be combined to cancel thermoelectric EMFs:

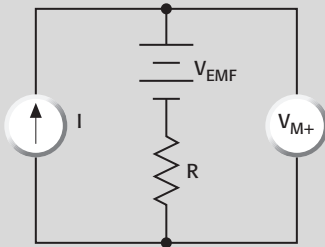
$$V_M = \frac{V_{M+} - V_{M-}}{2} = \frac{(V_{EMF} + IR) - (V_{EMF} - IR)}{2} = IR$$

The measured resistance is computed in the usual manner:

$$R = \frac{V_M}{I}$$

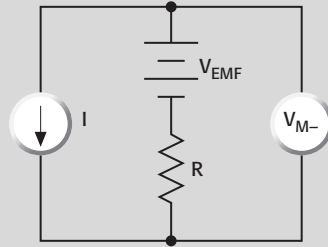
FIGURE 3-16: Canceling Thermoelectric EMFs with Current Reversal

a. Measurement with Positive Polarity



$$V_{M+} = V_{EMF} + IR$$

b. Measurement with Negative Polarity



$$V_{M-} = V_{EMF} - IR$$

$$V_M = \frac{V_{M+} - V_{M-}}{2} = IR$$

Note that the thermoelectric voltage (V_{EMF}) is completely canceled out by this method of resistance calculation.

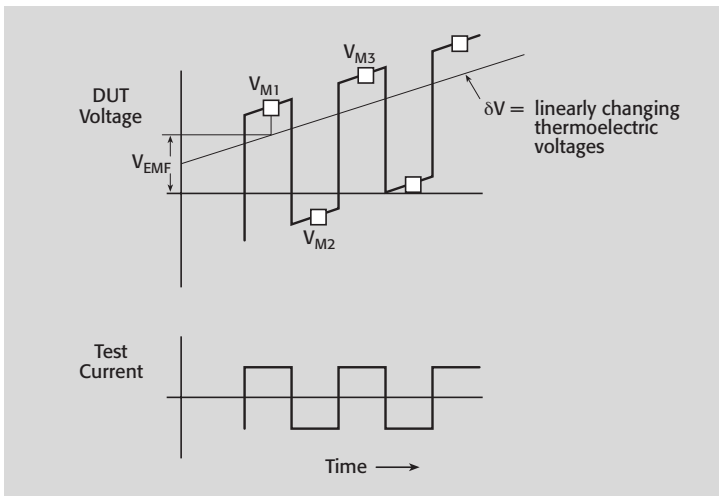
For the current-reversal method to be effective, it's important to use a low noise voltmeter with a response speed that is fast compared with the thermal time constant of the circuit under test. If the response speed is too slow, any changes in the circuit temperature during the measurement cycle will cause changes in the thermoelectric EMFs that won't be completely canceled, and some error will result.

Delta Method

When the thermoelectric voltages are constant with respect to the measurement cycle, the current-reversal method will successfully compensate for these offsets. However, if changing thermoelectric voltages are causing inaccurate results, then the delta method should be used. The delta method is similar to the current-reversal method in terms of alternating the current source polarity, but it differs in that it uses three voltage measurements to make each resistance calculation. This method can best be explained through an illustration and mathematical computations.

Figure 3-17 shows the voltage drop of a DUT as a function of time with an alternating polarity current applied. A voltage measurement (V_{M1} , V_{M2} , V_{M3} , etc.) is taken each time the polarity is changed. Each voltage measurement includes a constant thermal voltage offset (V_{EMF}) and a linearly changing voltage offset (δV). The thermal voltage drift may be approximated as a linear function over short periods, so the rate of change of voltage as a function of time (δV) can also be treated as a constant. The first three voltage measurements include the following voltages:

FIGURE 3-17: Canceling Thermoelectric EMFs with Delta Method



$$V_{M1} = V_1 + V_{EMF}$$

$$V_{M2} = V_2 + V_{EMF} + \delta V$$

$$V_{M3} = V_3 + V_{EMF} + 2\delta V$$

where: V_{M1} , V_{M2} , and V_{M3} are voltage measurements

V_{M1} is presumed to be taken at time = 0

V_1 , V_2 , and V_3 are the voltage drop of the DUT due to the applied current

V_{EMF} is the constant thermoelectric voltage offset at the time the V_{M1} measurement is taken

δV is the thermoelectric voltage change

Cancellation of both the thermoelectric voltage offset (V_{EMF}) term and the thermoelectric voltage change (δV) term is possible through mathematical computation using three voltage measurements. First, take one-half the difference of the first two voltage measurements and call this term V_A :

$$V_A = \frac{V_{M1} - V_{M2}}{2} = \frac{(V_1 + V_{EMF}) - (V_2 + V_{EMF} + \delta V)}{2} = \frac{(V_1 - V_2)}{2} - \frac{\delta V}{2}$$

Then, take one-half the difference of the second (V_{M2}) and third (V_{M3}) voltage measurements and call this term V_B :

$$V_B = \frac{V_{M3} - V_{M2}}{2} = \frac{(V_3 + V_{EMF} + 2\delta V) - (V_2 + V_{EMF} + \delta V)}{2} = \frac{(V_3 - V_2)}{2} - \frac{\delta V}{2}$$

Both V_A and V_B are affected by the drift in the thermoelectric EMF, but the effect on V_A and V_B is equal and opposite. The final voltage reading is the average of V_A and V_B and is calculated as:

$$V_{\text{Final}} = \frac{V_A - V_B}{2} = \frac{(V_1 + V_3 - 2V_2)}{4}$$

Notice that both the V_{EMF} and δV terms are canceled out of the final voltage calculation.

In the delta method, each data point is the moving average of three voltage readings. This additional averaging of the voltage measurements means that the data resulting from the delta method has lower noise than the data derived when the current-reversal method is used to calculate it, even when both sets of data are taken over the same time period.

The success of the delta method depends on the linear approximation of the thermal drift, which must be viewed over a short period. Compensating successfully for changing thermoelectric voltages dictates that the measurement cycle time must be faster than the thermal time constant of the DUT. Therefore, an appropriately fast current source and voltmeter must be used for the delta method to be successful. Refer to Section 4.7.2 for information on specific test equipment.

Offset-Compensated Ohms Method

Another offset-canceling method used by micro-ohmmeters and many DMMs is the offset-compensated ohms method. This method is similar to the current-reversal method except that the measurements are alternated between a fixed source current and zero current.

As shown in **Figure 3-18a**, the source current is applied to the resistance being measured during only part of the cycle. When the source current is on, the total voltage measured by the instrument (**Figure 3-18b**) includes the voltage drop across the resistor as well as any thermoelectric EMFs, and it is defined as:

$$V_{M1} = V_{\text{EMF}} + IR$$

During the second half of the measurement cycle, the source current is turned off and the only voltage measured by the meter (**Figure 3-18c**) is any thermoelectric EMF present in the circuit:

$$V_{M2} = V_{\text{EMF}}$$

Given that V_{EMF} is accurately measured during the second half of the cycle, it can be subtracted from the voltage measurement made during the first half of the cycle, so the offset-compensated voltage measurement becomes:

$$V_M = V_{M1} - V_{M2}$$

$$V_M = (V_{\text{EMF}} + IR) - V_{\text{EMF}}$$

$$V_M = IR$$

and,

$$R = \frac{V_M}{I}$$

Again, note that the measurement process cancels the thermoelectric EMF term (V_{EMF}).

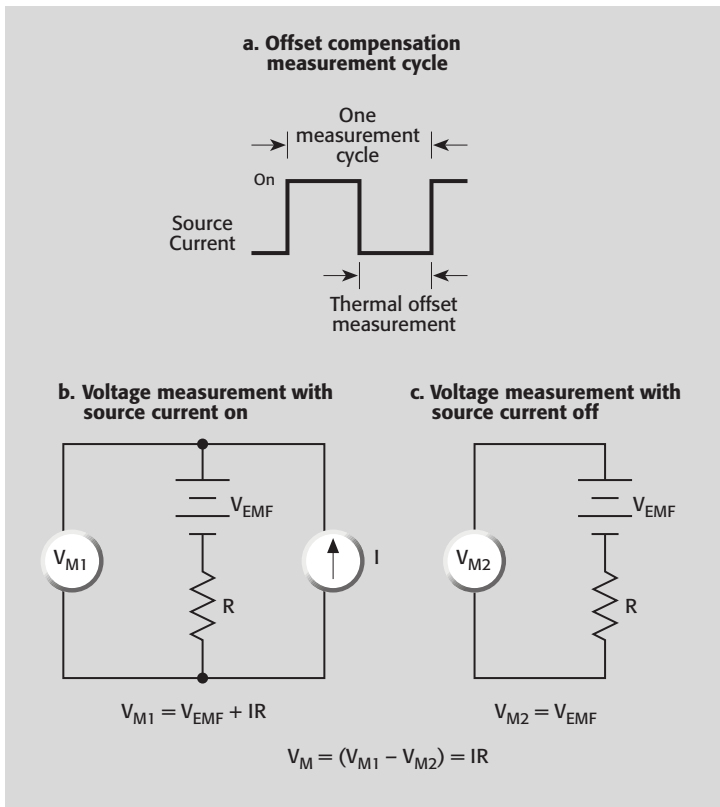


FIGURE 3-18: Offset-Compensated Ohms Measurement

3.3.3 Non-Ohmic Contacts

Non-ohmic contacts are evident when the potential difference across the contact isn't linearly proportional to the current flowing through it. Non-ohmic contacts may occur in a low voltage circuit as a result of oxide films or other non-linear connections. A non-ohmic connection is likely to rectify any radio frequency energy (RFI) present, causing an offset voltage to appear in the circuit. (A further discussion on RFI can be found in Section 3.2.1.) There are several ways to check for non-ohmic contacts and methods to reduce them.

If using a micro-ohmmeter or DMM to make low resistance measurements, change the range to check for non-ohmic contacts. Changing the measurement range usually changes the test current as well. A normal condition would indicate the same reading but with higher or lower resolution, depending on whether the instrument was up or down ranged. If the reading is significantly different, this may indicate a non-ohmic condition.

If using a separate current source and voltmeter to make low resistance measurements, each instrument must be checked for non-ohmic contacts. If the current source contacts are non-ohmic, there may be a significant difference in the compliance voltage when the source polarity is reversed. If the voltmeter contacts are non-ohmic, they may rectify any AC pickup present and cause a DC offset error. If this is the case, the offset compensated ohms method is preferred to the current-reversal method for canceling offsets.

To prevent non-ohmic contacts, choose an appropriate contact material, such as indium or gold. Make sure the compliance voltage is high enough to avoid problems due to source contact non-linearity. To reduce error due to voltmeter non-ohmic contacts, use shielding and appropriate grounding to reduce AC pickup.

3.3.4 Device Heating

Device heating can be a consideration when making resistance measurements on temperature-sensitive devices such as thermistors. The test currents used for low resistance measurements are often much higher than the currents used for high resistance measurements, so power dissipation in the device can be a consideration if it is high enough to cause the device's resistance value to change.

Recall that the power dissipation in a resistor is given by this formula:

$$P = I^2R$$

From this relationship, we see that the power dissipated in the device increases by a factor of four each time the current doubles. Thus, one way to minimize the effects of device heating is to use the lowest current possible while still maintaining the desired voltage across the device being tested. If the current cannot be reduced, use a narrow current pulse and a fast responding voltmeter.

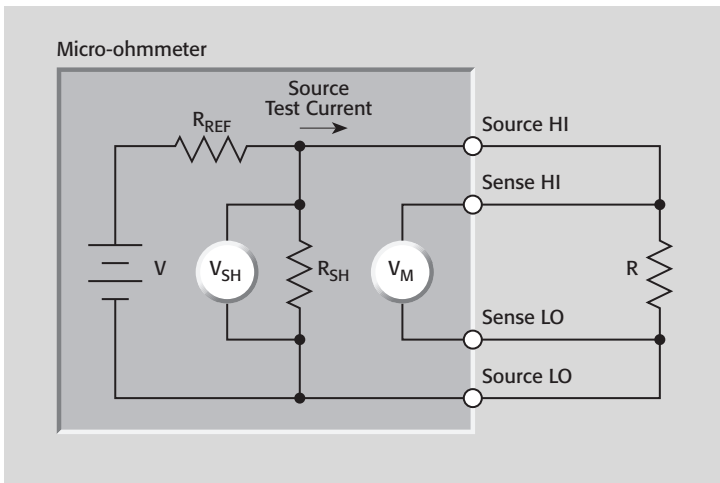
Most micro-ohmmeters and DMMs don't have provisions for setting the test current. It is generally determined by the range. In those cases, alternate means must be found to minimize device heating. One simple but effective way to do so is to use the instrument's one-shot trigger mode during measurements. While in this mode, the instrument will apply only a single, brief current pulse to the DUT during the measurement cycle, thereby minimizing errors caused by device heating.

3.3.5 Dry Circuit Testing

Many low resistance measurements are made on devices such as switches, connectors, and relay contacts. If these devices are to be used under “dry-circuit” conditions, that is, with an open-circuit voltage less than 20mV and a short-circuit current less than 100mA, the devices should be tested in a manner that won’t puncture any oxide film that may have built up on the contacts. If the film is punctured, the measured contact resistance will be lower than if the film remains intact, compromising the validity of the test results.

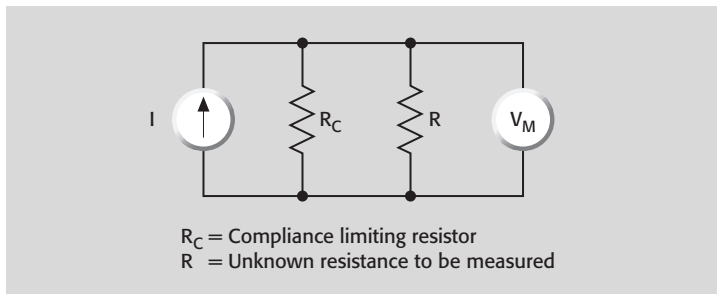
To avoid oxidation puncture, such measurements are usually made using dry circuit testing, which typically limits the voltage across the DUT to 20mV or less. Some micro-ohmmeters and DMMs have this capability built in, as shown in **Figure 3-19**. In this micro-ohmmeter, a precision shunt resistor (R_{SH}) is connected across the source terminals to clamp or limit the voltage across the DUT to <20mV. The remaining aspects of the circuit are very similar to the conventional four-wire measurement method: V and R_{REF} make up the current source, which forces current through the unknown resistance (R). This current should be no more than 100mA. The value of the unknown resistance is computed from the sense voltage (V_M), the voltage across clamping resistor (V_{SH}), the known value of R_{SH} , and the source current. Refer to Section 1.4.4 for more detailed circuit information.

FIGURE 3-19: Dry Circuit Testing



If dry circuit testing is to be done with a separate current source and voltmeter, the compliance voltage on the current source must be limited to 20mV or less. If it isn’t possible to limit the compliance voltage to this level, a compliance limiting resistor must be used, as shown in **Figure 3-20**. In

FIGURE 3-20: Dry Circuit Testing Using Current Source and Voltmeter



this circuit, R_C is the resistor used to limit the voltage to 20mV and R is the unknown resistance.

The value of R_C must be chosen to limit the voltage at a given test current. For example, if the voltage limit is 20mV and the test current is 200 μ A, R_C can be calculated as:

$$R_C = 20\text{mV}/200\mu\text{A} = 100\Omega$$

If the unknown resistance (R) is 250m Ω , then R_C will cause a 0.25% error in the measured resistance.

The exact value of the unknown resistance (R) can then be calculated by the following equation:

$$R = \frac{(R_{\text{MEASURED}} \times R_C)}{(R_C - R_{\text{MEASURED}})}$$

where R_{MEASURED} is the calculated resistance measurement from the measured voltage (V_M) and the source current (I).

3.3.6 Testing Inductive Devices

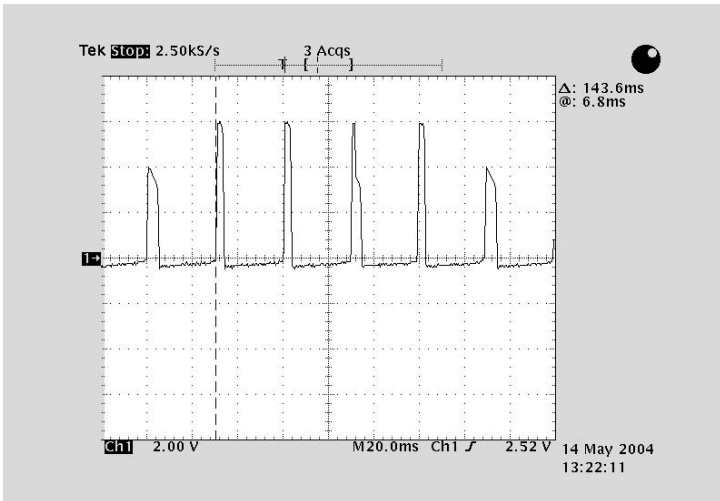
Inductive devices usually have a small resistance in addition to the inductance. This small resistance is normally measured with a DMM or a micro-ohmmeter. However, the measurements are often difficult because of the interaction between the inductance and the measuring instrument. This is particularly true with high L/R ratios.

Some of the problems that may result include oscillations, negative readings and generally unstable readings. An oscilloscope picture of an unstable measurement of a 200H inductor is shown in **Figure 3-21**.

When problems occur, try to take measurements on more than one range and check if the values correspond.

If possible, do not use offset compensation (pulsed current) because inductive reaction to the current pulse may cause unstable measurements or make autoranging difficult. Try using a higher resistance range when possible.

FIGURE 3-21



Check for oscillations by connecting an oscilloscope in parallel with the device and the meter. Sometimes, a diode across the inductor may settle down the oscillations by reducing the inductive kick.

SECTION 4

Applications

4.1 Introduction

The applications for today's low-level measurement instruments are no longer limited to the calibration department or R&D lab. Low-level instruments have proven invaluable in many other areas, including product design, device characterization, quality assurance, and production test. This section offers insights into this growing range of applications and the most appropriate instruments and test techniques to solve specific test and measurement challenges.

Section 4 covers a variety of low-level measurement applications:

- 4.2 Applications for Measuring Voltage from High Resistance Sources: Capacitor dielectric absorption and electrochemical measurements.
- 4.3 Low Current Measurement Applications: Capacitor leakage measurements, low current semiconductor measurements, light measurements with photomultiplier tubes, and ion beam measurements.
- 4.4 High Resistance Measurement Applications: Surface insulation resistance testing of printed circuit boards, resistivity measurements of insulating materials, resistivity measurements of semiconductors, and voltage coefficient testing of high ohmic value resistors.
- 4.5 Charge Measurement Applications: Capacitance measurements, static charge measurements using a Faraday cup.
- 4.6 Low Voltage Measurement Applications: Standard cell comparisons, high resolution temperature measurements, and microcalorimetry.
- 4.7 Low Resistance Measurement Applications: Contact resistance, semiconductor resistance measurements, and resistivity measurements of conductive materials.

4.2 Applications for Measuring Voltage from High Resistance Sources

Electrometer voltmeters and voltage measurements on high resistance sources were described in Sections 1 and 2 respectively. In particular, Section 2.2 discussed error sources and ways to minimize their effects. Voltage measurements on high impedance sources include applications such as capacitor dielectric absorption and some electrochemical experiments, including pH measurements and other ion-selective electrodes.

4.2.1 Capacitor Dielectric Absorption

Overview

Dielectric absorption occurs when randomly oriented permanent dipoles of molecules within a dielectric are aligned by an applied electric field. After a capacitor is disconnected from a discharge circuit, a residual charge remains on the capacitor, so a voltage is re-established across the capacitor terminals.

For timing and integrating applications, dielectric absorption (or a residual capacitor voltage) can seriously degrade the accuracy of the circuit. Thus, a capacitor's dielectric absorption must be known and compensated for in circuits where capacitance tolerance is a significant factor in circuit accuracy.

Dielectric absorption can be expressed as a percentage of a residual voltage as compared to a charging voltage. This percentage is determined by first charging the capacitor to the rated voltage for a specified time interval, then discharging it for a second time interval. Finally, the capacitor is open-circuited and, after a third time interval, the residual voltage across the capacitor is measured.

Using a Source-Measure Unit to Determine Dielectric Absorption

Residual capacitor voltage can be measured with a source-measure unit (SMU), which must source voltage and then measure voltage with a high input impedance. Dielectric absorption is calculated from the residual voltage value, as described in the previous paragraph. **Figure 4-1** illustrates the basic circuit configuration using a Model 6430 Sub-Femtoamp Remote SourceMeter® instrument or other high impedance SMU, as well as a voltage timing diagram.

The “soak” voltage is applied across the capacitor for the required soak time (t_1). Next, the SMU is programmed to output 0V with a compliance of 100mA for the specified discharge interval (t_2). Finally, the SMU is programmed to output a current of zero on as low a current range as possible while simultaneously measuring voltage. The lower the current source range, the higher the input resistance will be on the SMU voltmeter. The residual voltage is measured after the prescribed time period (t_3). The dielectric absorption is then determined from the residual voltage:

$$\text{Dielectric Absorption} = \frac{\text{Residual Voltage}}{\text{Soak Voltage}} \times 100\%$$

Using an Electrometer to Determine Dielectric Absorption

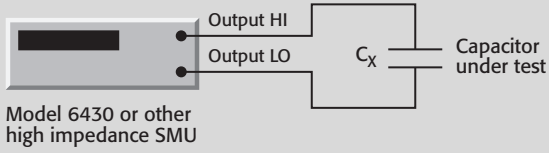
An electrometer voltmeter is particularly useful for measuring dielectric absorption because, like an SMU, it draws virtually no charge from the capacitor during the measurement, nor does it put charge on the capacitor being measured.

Figure 4-2 illustrates the basic circuit that uses an electrometer to determine dielectric absorption. This application employs a Model 6517A Electrometer, which can supply the test voltage and measure the residual voltage.

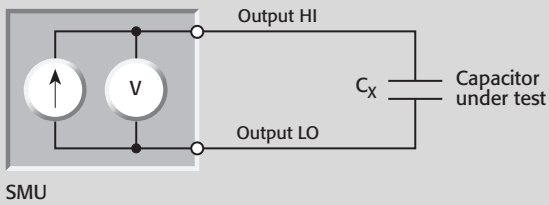
Initially, the capacitor (C_X) is charged through R_1 for the required soak time (typically one or two minutes). Next, the voltage source is turned off; S_1 is opened and S_2 is closed, discharging the capacitor through R_2 for the required discharge time. Next, S_2 is opened and the capacitor must remain

FIGURE 4-1: Using an SMU to Measure Residual Voltage

a. Connections



b. Equivalent Circuit



c. Voltage Waveform

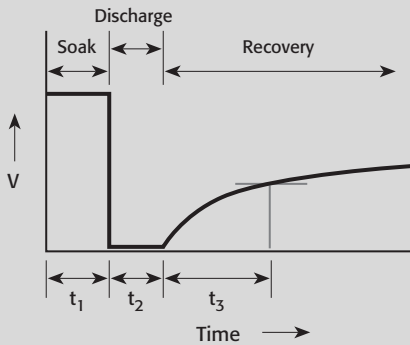
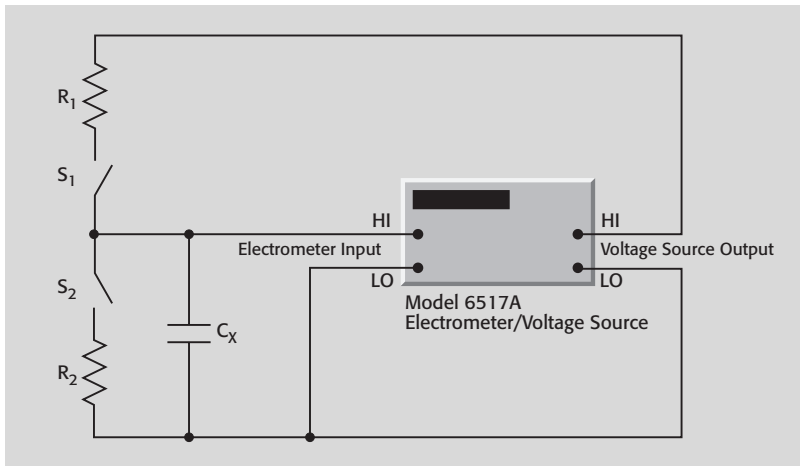


FIGURE 4-2: Using an Electrometer to Measure Dielectric Absorption



undisturbed for the specified recovery time, at the end of which the electrometer voltmeter is used to measure the residual voltage. The dielectric absorption is then calculated using the equation given previously.

4.2.2 Electrochemical Measurements

Overview

To ensure the accuracy of measurements when determining the potentials of electrochemical electrodes or cells, these measurements must be made without drawing appreciable current from the cells. Otherwise, the current drawn from the cell electrodes will cause a voltage drop across the internal resistance of the electrode and may polarize the cell. Therefore, a voltmeter with high input resistance, such as an electrometer, is required.

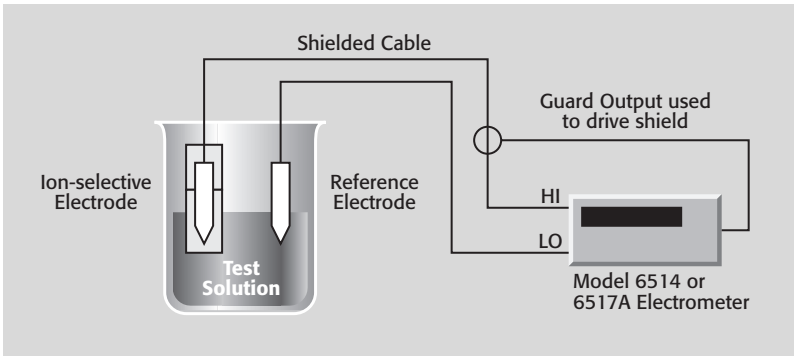
Electrometers are commonly used for pH measurements and other ion-selective electrodes to determine a specific ionic concentration. They are also often used for measuring liquid conductivity. This section discusses a number of measurement fundamentals related to these applications. Keep in mind that these measurements typically require close temperature regulation.

Measurements with Ion-Selective Electrodes

These measurements are particularly useful where continuous measurements of ionic activity are needed. Such monitoring is important to prevent loss of valuable material or to detect possible pollutants in the effluents from industrial processes.

The cell potential of an ion-selective electrode varies directly with the logarithm of ionic activity. At room temperature, the potential of most ion-selective electrodes will change about 57mV when the activity of an equiva-

FIGURE 4-3: Ion-Selective Electrode Measurements

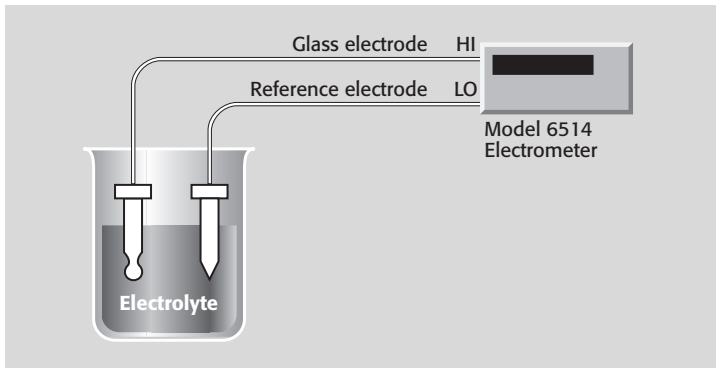


lent ion is changed by a factor of ten. This log response enables constant precision over dynamic ranges of ionic activity of up to eight orders of magnitude. **Figure 4-3** shows a typical circuit. Note that the ion-selective electrode usually has higher impedance than the reference electrode and should be connected to the HI terminal of the electrometer input with shielded cable. The shield can be driven by the Guard (Preamp) Output to improve the response speed. With the Model 6517A or Model 6514 electrometers, this can be done by either an external connection to the preamp output (as shown) or using the volts guard function on the front panel.

pH Measurements

Any pH electrode system (**Figure 4-4**) can be seen as a large resistor (from 10M Ω to 1G Ω) in series with a voltage source. This resistance is the sum of the ion-selective electrode wall (typically glass) and the electrolyte, which has low mobility. The potential in this system cannot be measured with an ordinary DMM.

FIGURE 4-4: pH Electrode System

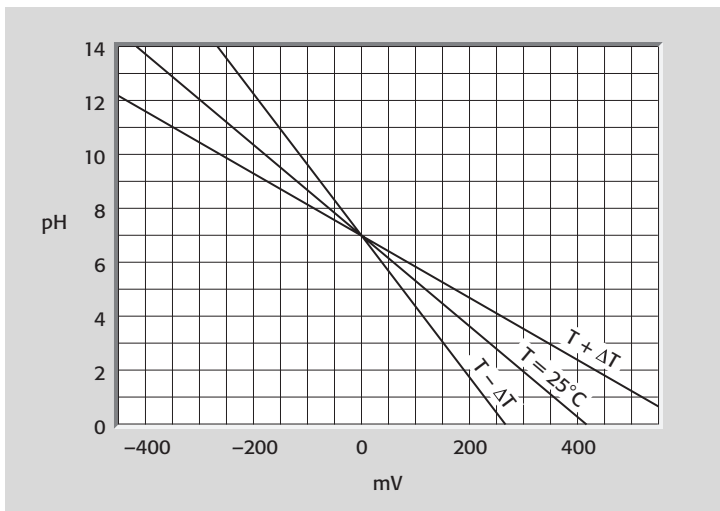


If current flows, the electrodes will become polarized. Therefore, the electrode potential should be measured with an electrometer, which draws negligible current from the electrodes. The electrometer should not be zero-checked while connected to the glass electrode; the instrument's normally near-infinite input resistance drops to $10\text{M}\Omega$ in zero check and the resulting current flow may polarize the electrodes.

If the approximate pH to be measured is known, the electrodes should be standardized, using two values of buffer solutions to calibrate the system at each end of the desired pH scale. This step is necessary to obtain the best accuracy. For example, to measure from 6.5pH (29.6mV at 25°C) to 1pH (355mV at 25°C), it is advisable to use one buffer solution with a pH of six and another with a pH of one.

When placed in the buffer solution, the voltage reading from the electrodes may differ from the theoretical value by several hundred microvolts. The voltage is also highly temperature dependent. For a given cell and temperature, the pH-to-voltage relationship is linear. For example, the theoretical voltage with a pH of 4.0 is 177.5mV at 25°C , assuming the calomel cell is used as the reference electrode. Other reference electrodes, such as the silver/silver chloride cell, will give a slightly different voltage. The reference electrode doesn't change with pH, so its contribution to the measurement can be corrected for by measuring known buffer solutions. The electrode voltages measured by the electrometer may be converted to pH values by using appropriate conversion data. **Figure 4-5** is a typical plot of millivolt difference versus pH value.

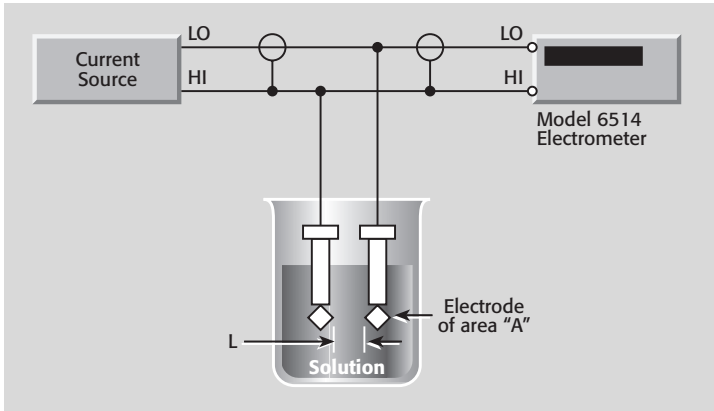
FIGURE 4-5: Electrode Output Voltage at Various pH Values



Conductivity Cells

Measuring the electrical conductivity of many chemical solutions is difficult if the ionic concentration is very low. In these instances, an electrometer voltmeter with a current source can be used to make this measurement; **Figure 4-6** shows a typical configuration.

FIGURE 4-6: Conductivity Cell Measurements



The conductivity of a solution is sensitive to the presence of impurities, so its value is meant to be more an index of impurity than a characteristic constant. Therefore, high accuracy is unnecessary and the test equipment need not be elaborate.

As with pH measurements, the current should be kept as low as possible. Its polarity can be alternated to avoid electrode polarization.

The electrodes of the cell must be rigidly mounted to prevent vibration and motion from creating noise and pickup. Additionally, shielding the leads to the electrodes helps reduce interference.

Each cell arrangement has a particular constant, which is a function of the volume of the conducting solution between the electrodes. Electrometers can be very useful where electrode areas are very small and solution conductivities are very low. Temperature control is essential to making reliable measurements.

Conductivity is computed from the known value of current (I), the voltage reading (V), and the area and spacing between the electrodes:

$$\sigma = \frac{I}{V} \cdot \frac{L}{A}$$

where: σ = conductivity (Siemens/cm)

A = surface area of the electrodes (cm^2)

L = distance between the electrodes (cm)

4.3 Low Current Measurement Applications

Electrometer ammeters and picoammeters and methods of making low current measurements were described in Sections 1 and 2 respectively. In particular, Section 2.3 discussed a number of error sources that can seriously affect measurement accuracy. Low current measurement applications include capacitor leakage, low current semiconductor, light, and ion beam measurements.

4.3.1 Capacitor Leakage Measurements

Overview

Capacitors are essential components of virtually every type of electronic equipment. They are widely used for bypassing, coupling, filtering, and tuning electronic circuits. However, to be useful, they must be characterized for capacitance value, voltage rating, temperature coefficient, and leakage resistance. The capacitor manufacturer performs these tests; end users may also perform them.

This application focuses on the measurement of leakage resistance using either a Model 6487 Picoammeter/Source or a Model 6517A Electrometer. This leakage resistance may be referred to as “IR” (Insulation Resistance) and is expressed in megohm-microfarads (the resistance may be computed by dividing the “IR” value by the capacitance). In other cases, leakage may be expressed as a leakage current at a given voltage, usually the operating voltage.

Description of Test Method

Capacitor leakage is measured by applying a fixed voltage to the capacitor under test and measuring the resulting current. The leakage current will decay exponentially with time, so it's usually necessary to apply the voltage for a known period (the “soak” time) before measuring the current.

Figure 4-7 depicts a general circuit for testing capacitor leakage. Here, the voltage is placed across the capacitor (C_x) for the soak period, then the ammeter measures the current after this period has elapsed. The resistor (R), which is in series with the capacitor, is an important component in this test system. The resistor has two functions:

1. The resistor limits the current in case the capacitor becomes shorted.
2. As discussed in Section 2.3.2, the decreasing reactance of the capacitor with increasing frequency will increase the gain of the feedback ammeter. The resistor limits this increase in gain to a finite value. A reasonable value is one that results in an RC product from 0.5 to 2 seconds.

Even better performance will result if a forward-biased diode (D) is included in the circuit, as shown in **Figure 4-8**. The diode acts like a variable resistance, low when the charging current to the capacitor is high, then increasing in value as the current decreases with time. The series resistor can be much smaller since it is only needed to prevent overload of the volt-

FIGURE 4-7: Simple Capacitor Leakage Test Circuit

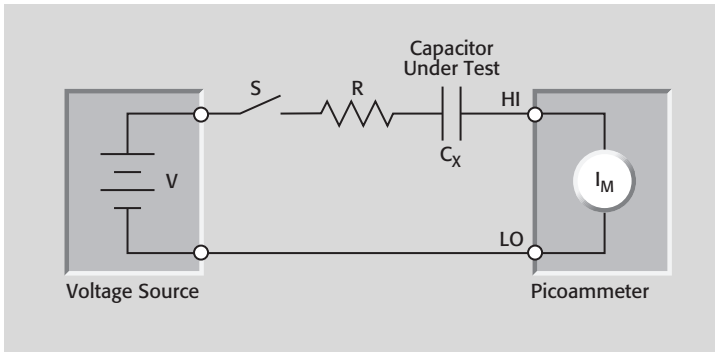
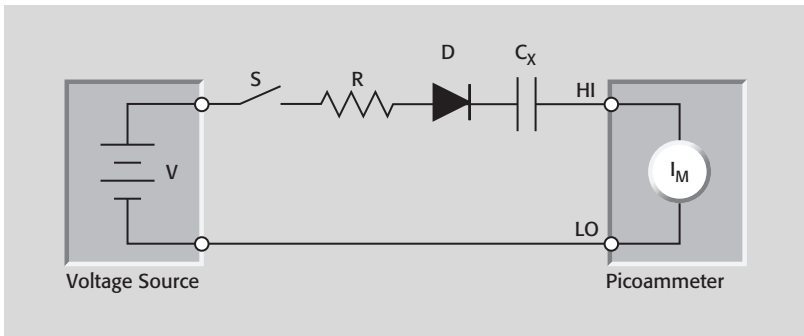


FIGURE 4-8: Capacitor Leakage Test Circuit with Diode



age source and damage to the diode if the capacitor becomes short-circuited. The diode should be a small signal diode, such as 1N914 or 1N3595, and must be in a light-tight enclosure. For dual-polarity tests, use two diodes back-to-back in parallel.

Test Circuit

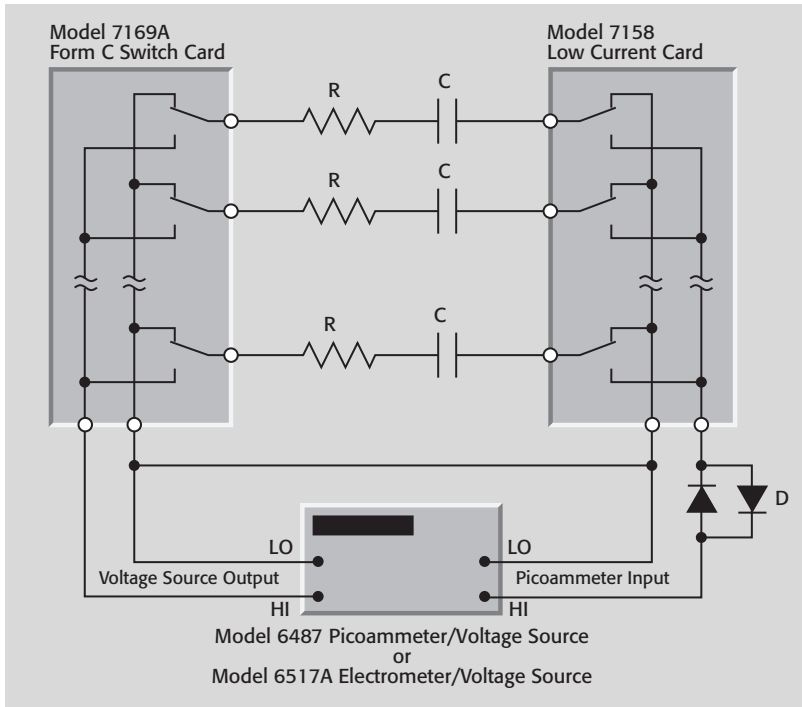
For statistical purposes, a quantity of capacitors is often tested to produce useful data. Obviously, it is impractical to perform these tests manually, so some sort of automated test system is required. **Figure 4-9** illustrates such a system, which employs a Model 6487 Picoammeter/Voltage Source, Model 7158 Low Current Scanner Cards, and Model 7169A Form C Switch Cards. The cards must be installed in a switching mainframe, such as a Model 7002. A computer controls the instruments to perform the tests automatically.

In this test system, a single instrument, the Model 6487 Picoammeter/Source, provides both the voltage sourcing and low current measurement functions. This instrument is particularly useful for this application because it can display either resistance or leakage current and will source up to 500V

DC. The Model 6517A can also be used in this system for lower current measurements.

Depending on the polarity of the voltage source, one of the two diodes (D) in parallel is used to reduce noise while the other provides a discharge path. The normally closed contact of the Model 7169A serves to discharge the capacitor after it has been measured. Due to the limitation of the Model 7169A card, the amount of voltage sourced should not exceed 500V. If the maximum test voltage is only 110V, the 7169A card can be replaced with the Model 7111 Form C Switch Card.

FIGURE 4-9: Capacitor Leakage Test System



One set of switches is used to apply the test voltage to each capacitor in turn; a second set of switches connects each capacitor to the picoammeter after a suitable soak period.

4.3.2 Low Current Semiconductor Measurements

Overview

Testing semiconductor devices and wafers often involves measuring a small current. Some of these tests include a variety of leakage current measurements. Other typical low current measurements on wafer level semicon-

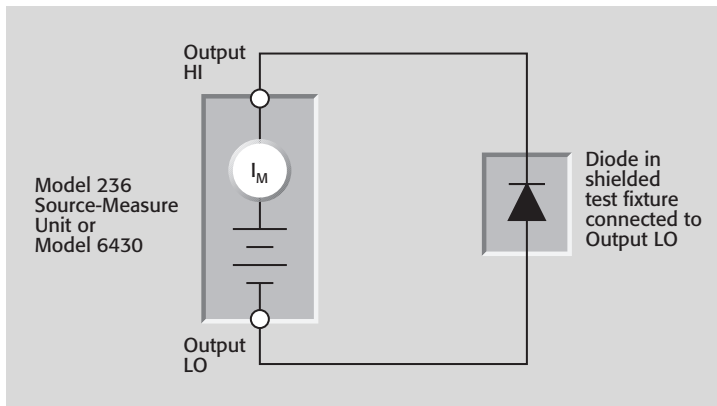
ductors are related to the dielectric, either the oxide or compound quality. These low current measurements are often made with an electrometer or source-measure unit. This section describes measuring the leakage current of diodes and the sub-threshold current of a MOSFET using a Source-Measure Unit (SMU).

Leakage Current of Diodes

Ideally, the reverse current of a diode should be zero; however, a small reverse current does flow. One measure of the quality of a diode is its leakage current at a specified reverse bias voltage.

Figure 4-10 shows how a Model 236 or 6430 SMU can be used to test the leakage current of a diode. The Model 236 SMU can measure the current with 10fA resolution as well as source the required bias voltage. The Model 6430 SMU has 10aA resolution. The Source-Measure Unit can also test other diode parameters, including forward voltage drop and breakdown voltage.

FIGURE 4-10: Connecting a Source-Measure Unit to the Diode



To prevent errors from electrostatic interference, the diode should be placed in a shielded test fixture. This will also provide light shielding, which is essential because the diode junction is likely to be photosensitive.

Sub-Threshold Current of MOSFETs

Various MOSFET tests require making low current measurements. Some of these tests include gate leakage, leakage current vs. temperature, substrate-to-drain leakage, and sub-threshold current.

The sub-threshold current test, which is often done at the wafer level, is a measure of how quickly the device will turn on and off. **Figure 4-11** shows a typical test set-up for measuring the sub-threshold current. In this setup, a Model 4200 Semiconductor Characterization System equipped with two SMUs and PreAmps uses one SMU to supply a constant drain-to-source

voltage (V_{DS}) and measures the resulting drain current (I_{DS}). Another SMU is used to sweep the gate-to-source voltage (V_{GS}). For this SMU, the current compliance or measure current value should be set to the highest expected gate current on a fixed measurement range.

FIGURE 4-11: Sub-Threshold Current Measurement Using Two SMUs

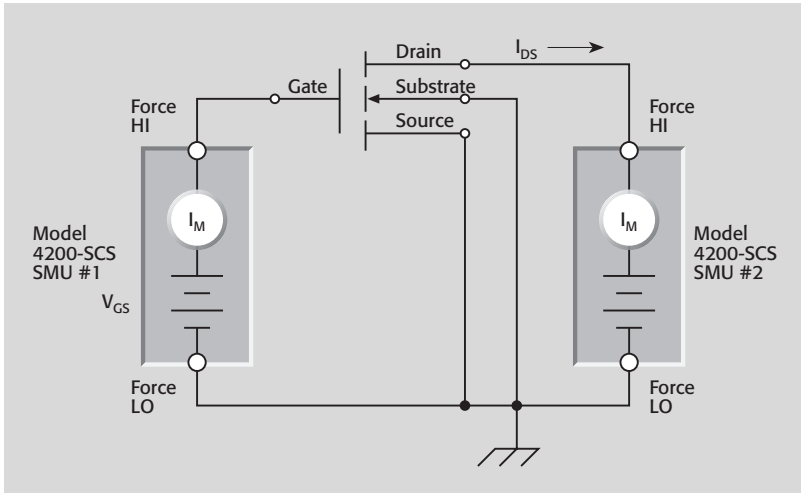
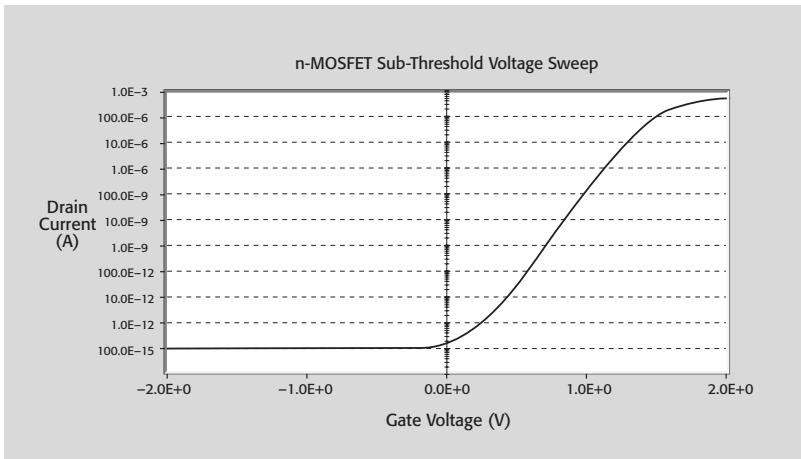


Figure 4-12 is a plot of I_{DS} vs. V_{GS} for an enhancement mode MOSFET, which was generated by the Model 4200-SCS Semiconductor Characterization System.

FIGURE 4-12: IDS vs. VGS for an Enhancement Mode MOSFET



4.3.3 Light Measurements with Photomultiplier Tubes

Overview

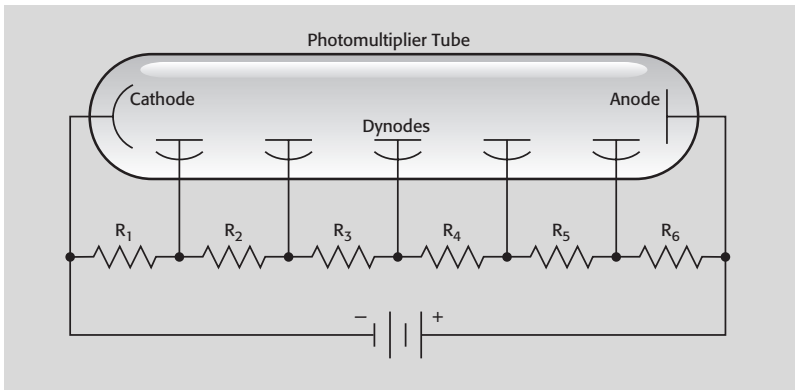
Applications such as measuring light with a photomultiplier tube generally require the use of a picoammeter due to the low current levels involved.

A photomultiplier tube (PMT) is a device for converting light to electrical current. The tube consists of a light-sensitive cathode that emits electrons in proportion to the photons striking it. These electrons are then accelerated to the next stage, where they impinge and cause the emission of three to six secondary electrons. The process continues through six to fourteen stages (called “dynodes”), depending on tube type. Overall gains of one million or more are commonly attained.

Detailed Operation

Electrons are accelerated by making the voltage of each successive dynode of the tube more positive than the previous one. The easiest way to accomplish this is to apply a potential across the entire tube and tap the dynode voltages off a voltage divider, as shown in **Figure 4-13**.

FIGURE 4-13: Voltage Supply for Photomultiplier Tube



The voltages that should be applied to each dynode are a function of PMT design and are specified for each tube type.

The total resistance of the dynode resistors should be such that the current flowing through the series resistance is at least 100 times the expected anode current of the tube:

$$R_T = \frac{\text{Voltage, Anode-to-Cathode}}{100 \times \text{Anode Current}}$$

Most photomultiplier tubes require anode-to-cathode potentials of from 1000 to 3000V. The anode is the readout point, so it is usually operated at near-ground potential and the cathode at a high negative potential.

The Keithley Model 248 High Voltage Supply provides up to 5000V for such applications.

The anode current of most photomultiplier tubes ranges from just picoamps to $100\mu\text{A}$. The picoammeter is commonly used as a readout because of its high sensitivity. The low input voltage drop (voltage burden) of such a picoammeter keeps the anode at virtually ground potential. **Figure 4-14** illustrates a typical test configuration using a Model 6485

FIGURE 4-14: Basic Photomultiplier Tube Connections

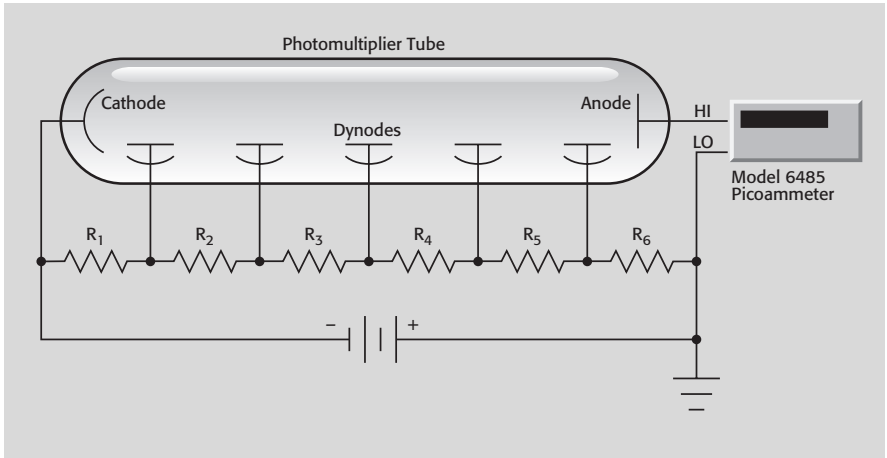
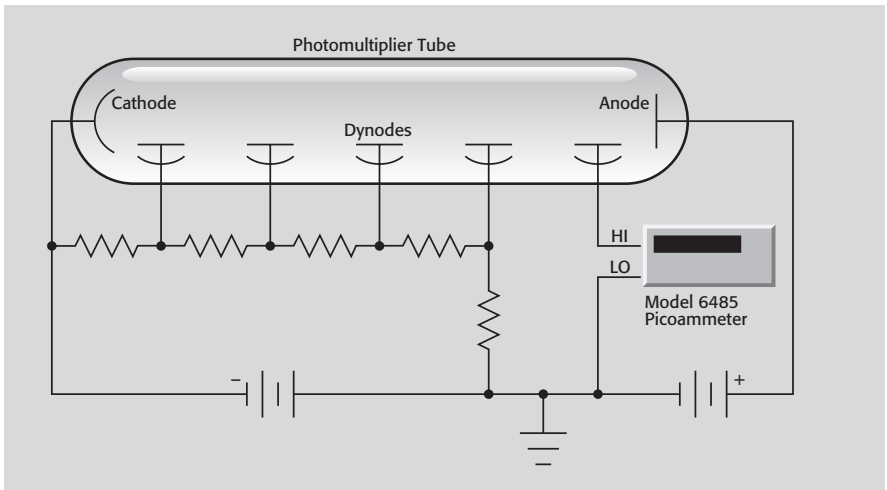


FIGURE 4-15: Reading Positive PMT Current



Picoammeter. If the PMT requires no more than 1000V, the 6517A Electrometer/Source would provide a convenient solution because it can measure the current as well as supply the voltage.

With this connection method, the picoammeter reads a negative current. Occasionally, the current must be measured as a positive value. In such cases, a simple re-arrangement and an additional power supply permit reading positive current. The configuration for measuring positive PMT current is shown in **Figure 4-15**. The picoammeter reads the current at the last dynode, which is equal to the anode current minus the current flowing to the previous dynode. In effect, a slight amount of PMT gain is sacrificed to make the measurement.

A PMT usually has a small amount of current flowing even when the cathode is not illuminated. This phenomenon is known as “dark current,” and is insignificant in most measurements. In other cases, it can either be subtracted from the reading by using the REL (zero) feature or simply canceled out by using built-in zero suppression if the instrument has this feature.

4.3.4 Ion Beam Measurements

Overview

Ion beams are used in a variety of applications, such as with mass spectrometers and ion implanters. Ion beam current is usually very small ($< \mu\text{A}$), so an electrometer or picoammeter is needed to make this measurement. This section describes how to make these measurements with a Model 6485 Picoammeter and a Model 6487 Picoammeter/Voltage Source. An electrometer can be substituted for greater current sensitivity.

Test Method

If the source of ions is biased off ground, then the ion collector will most likely be at ground potential. If this is the case, a simple coaxial vacuum feedthrough can be used to make connections from the collector to the picoammeter. **Figure 4-16** shows a Model 6485 Picoammeter measuring the current from the ion collector, which is operating at ground potential.

However, if the source of ions is at ground potential, then the ion collector must be biased off ground. The Model 6485 Picoammeter can float off ground by only 42V. Therefore, a picoammeter such as the Model 6487, which can float off ground up to 500V, must be used. **Figure 4-17** is an example of the Model 6487 biased off ground and measuring an ion beam. The HI terminal of the picoammeter is connected to the ion collector via a triax vacuum feedthrough. The LO terminal of the picoammeter is biased off ground by the voltage source. For safety reasons, a triaxial vacuum feedthrough should be used if the bias voltage is more than 42V. The Model 6487 can supply up to 500V of bias.

If a triaxial vacuum feedthrough is unavailable, a metal safety shield should be built around the isolated BNC connection (**Figure 4-18**). The

FIGURE 4-16: Ion Collector with Grounded BNC Receptacle

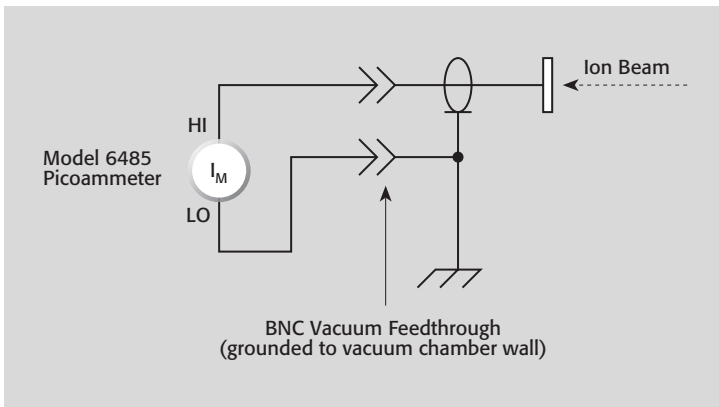
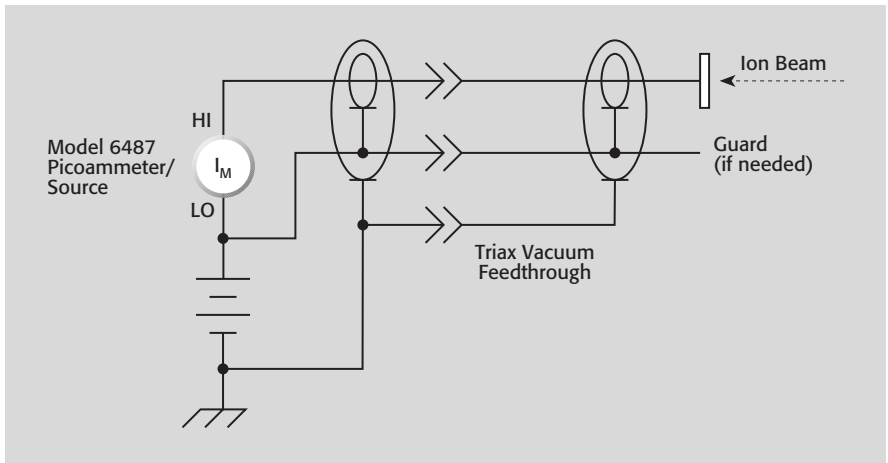


FIGURE 4-17: Ion Collector with Triax Receptacle



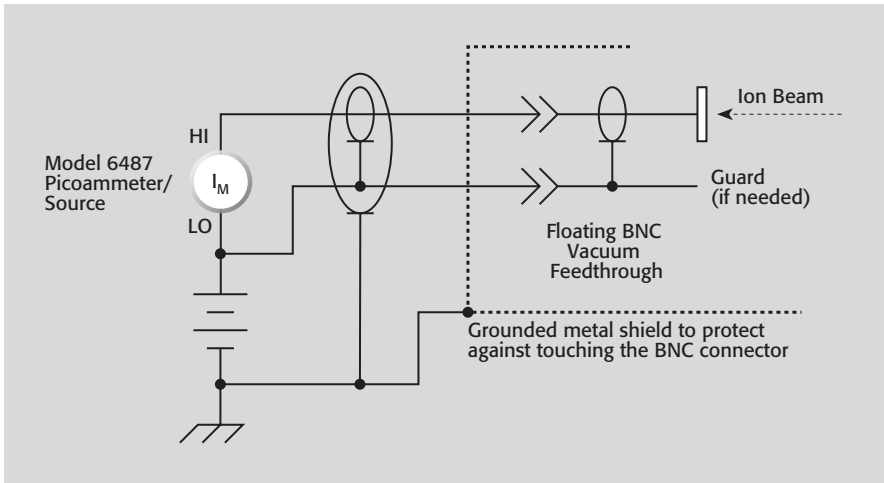
metal safety shield is connected to ground. Floating input signals are discussed in detail in Section 2.6.8.

If the bias voltage is less than 42V off ground, the isolated BNC vacuum feedthrough will not need a safety shield.

After the connections are made, verify the system is working properly by turning the bias voltage on and taking a current measurement with no ion beam current. If there is significant current compared to the current to be measured, there must be a stray leakage path, which should be corrected.

Often, the beam current is plotted as a function of time. This can be done by using either the analog output of the picoammeter or the IEEE-488

FIGURE 4-18: Ion Collector with BNC Receptacle



bus or RS-232 output to collect readings, then plotting them with a graphical programming software package (such as ExceLINUX) or a spreadsheet.

4.3.5 Avalanche Photodiode Reverse Bias Current Measurements

Overview

An avalanche photodiode (APD) is a high sensitivity, high speed photodiode that has an internal gain mechanism activated by applying a reverse voltage. The gain of the APD can be controlled by the magnitude of the reverse bias voltage. A larger reverse bias voltage results in a larger gain. APDs are operated with an electric field strength such that an avalanche multiplication of photocurrent occurs similar to a chain reaction. APDs are used in a variety of applications requiring high sensitivity to light such as fiberoptic communications and scintillation detectors.

Common electrical measurements of APDs typically include the breakdown voltage, responsivity, and reversed bias current measurements. The maximum current rating for a typical APD is 10^{-4} to 10^{-2} A, while the dark current can be as low as the 10^{-12} to 10^{-13} A range. The maximum reverse bias voltage will vary, depending on the material of the APD, but can be up to 100V for InGaAs APDs or up to 500V for Si devices.

Test Description

Measuring the reverse bias current of an APD requires an instrument that can measure current over a wide range as well as output a voltage sweep. Because of these requirements, instruments such as the Model 6487 Picoammeter/Voltage Source or the Model 6430 Sub-Femtoamp Source-Meter instrument are ideal for these measurements.

Figure 4-19 shows a Model 6430 connected to a photodiode. The photodiode is placed in an electrically shielded dark box. To shield the sensitive current measurements from electrostatic interference, connect the box to the LO terminal of the Model 6430.

FIGURE 4-19: APD Connected to a Model 6430 Sub-Femtoamp Remote SourceMeter Instrument

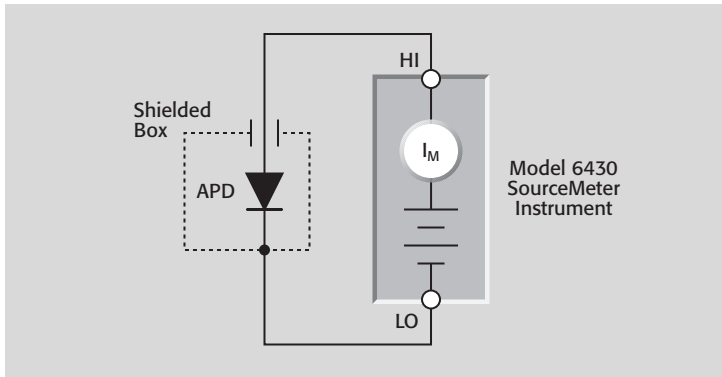
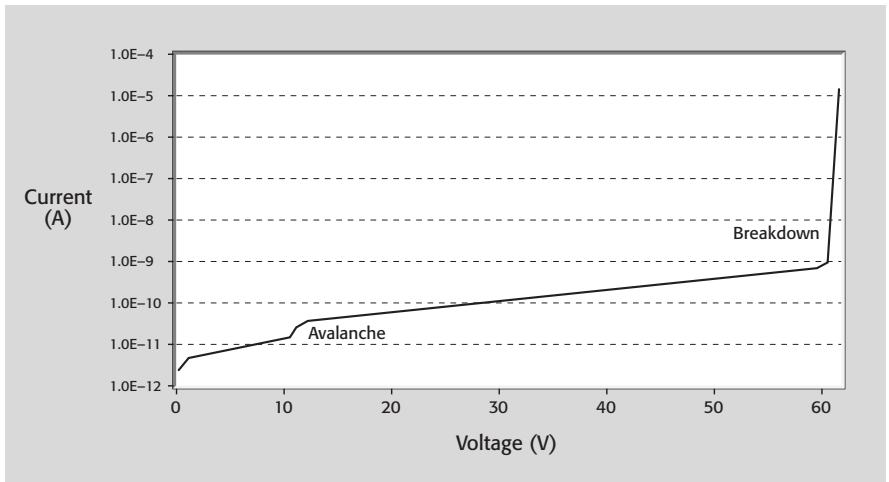


Figure 4-20 shows a current vs. reverse voltage sweep of an InGaAs APD, generated by the Model 6430 SourceMeter. Note the wide range of current measurements. The avalanche region becomes more pronounced with increasing light. The breakdown voltage will cause the current to flow freely since electron-hole pairs will form without the need for light striking the diode to generate current.

FIGURE 4-20: Current vs. Reverse Voltage Sweep of an InGaAs APD



4.4 High Resistance Measurement Applications

Electrometers can measure high resistance either by sourcing current and measuring voltage or by sourcing voltage and measuring current. These methods were discussed in Section 2.4. Picoammeters with voltage sources can also measure high resistances. High resistance measurement applications include surface insulation resistance testing, resistivity measurements of insulators and semiconductors, and voltage coefficient testing of high ohmic value resistors.

4.4.1 Surface Insulation Resistance Testing of Printed Circuit Boards

Overview

Low surface insulation resistance (SIR) of a printed circuit board (PCB) can degrade the performance of the circuits on the board considerably. Factors that affect a board's surface insulation resistance include the board material used, the presence of coatings such as solder masking or conformal coatings, board cleanliness, and relative humidity.

The measured insulation resistance typically ranges from $10^7\Omega$ to $10^{16}\Omega$, so an electrometer or picoammeter must be used to make this measurement. This section describes surface insulation resistance measurements using the Model 6517A Electrometer/Voltage Source. For some applications, the Model 6487 Picoammeter/Voltage Source may be substituted for the Model 6517A.

Basic Test Procedure

The procedure for insulation resistance testing consists of preparing, conditioning, and measuring the sample. Details may vary, based on specific test methods.

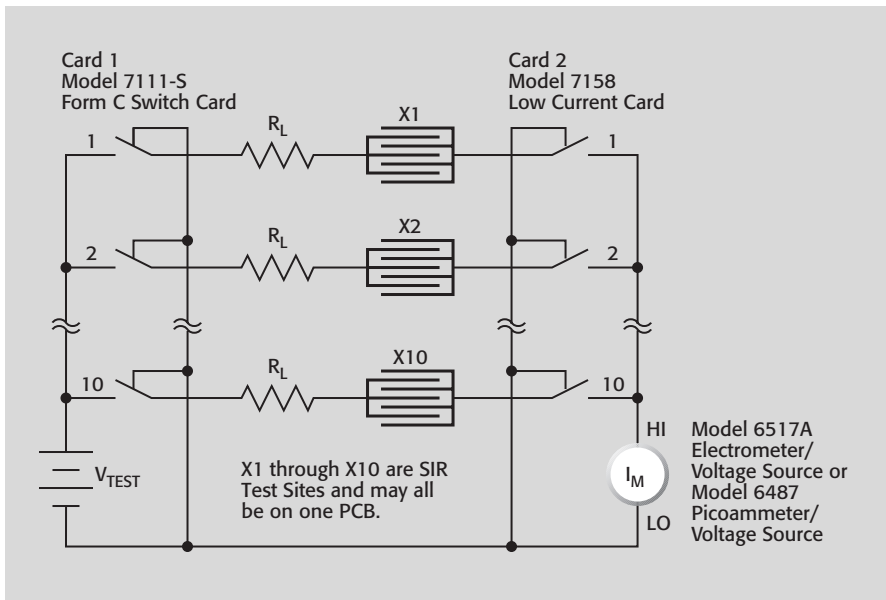
In preparation, the sample is inspected visually for defects. Then Teflon[®]-insulated leads are attached to the sample. One alternative method is to use test boards with card edge connectors for easy connection to the test system. Finally, the samples are cleaned and dried according to the requirements of the test method used. After preparation, insulation resistance measurements are typically made before, during, and after the samples are placed in an environment with controlled temperature and humidity.

To make the measurement, a constant voltage is applied for a predefined period, usually 60 seconds, and the resulting current is measured with a picoammeter or electrometer.

Test Configuration

Figure 4-21 depicts a system to test the insulation resistance of ten test sites. Each test site can be thought of as an isolated resistor. The Model 6517A Electrometer applies the bias voltage (V_{TEST}), measures the leakage current, then calculates the resistance of each resistor. The Model 7001 Switch System switches the electrometer and voltage source to each test pattern, X1 through X10. The voltage channels are switched with the Model

FIGURE 4-21: SIR Test System to Measure Ten Test Sites



7111-S 40-Channel Form C Switch Card, while the current channels are switched with the Model 7158 Low Current Scanner Card. Note that the maximum source voltage is limited to 110V when using the Model 7111-S Card.

To measure X1, Channel 1 on the 7111-S Card and Channel 1 on the 7158 Card are closed. This will bias the X1 resistor and, after a specified “soak” time, the resulting current is measured. To measure the X2 resistor, Channel 1 on both the 7111-S and 7158 cards is opened, and Channel 2 on both cards is closed. Again, the current is measured after the desired soak time.

The resistors (R_L) are current limiting resistors used to protect the switches and electrometer from high current. These resistor values should be such that the voltage drop at the maximum measured current will not affect measurement accuracy.

Note that when a channel is opened, the corresponding resistor terminal is connected to circuit LO. This allows any charge across the resistance to be discharged to circuit LO when the resistance is not being measured.

Even though the system described here measures just ten test sites, it can be expanded easily to test more sites by adding scanner cards and substituting the Model 7002 Scanner Mainframe, which can control up to ten scanner cards, for the Model 7001.

4.4.2 Resistivity Measurements of Insulating Materials

Overview

Resistivity is determined by measuring resistance, then converting to surface or volume resistivity by taking geometric considerations into account. The ideal way to measure the resistance of an insulating material is to apply a known potential to the sample and measure the resulting current with an electrometer or picoammeter. To account for the sample's geometry, electrodes with convenient dimensions should be used, such as Keithley's Model 8009 Resistivity Chamber. The electrodes follow the ASTM Standard D257 entitled "DC Resistance or Conductance of Insulating Materials." This section details how to make surface and volume resistivity measurements with these test fixtures, as well as the Alternating Polarity and Alternating Voltage techniques for measuring resistivity.

Volume Resistivity Measurements

Volume resistivity is a measure of the leakage current directly through a material. It is defined as the electrical resistance through a one-centimeter cube of insulating material and is expressed in ohm-centimeters. When measuring the volume resistivity, the test sample is placed between two electrodes and a potential difference is applied between them. The resulting current is distributed through the volume of the test sample and is measured using a picoammeter or electrometer. The resistivity is calculated from the geometry of the electrodes and the thickness of the sample:

$$\rho = \frac{K_V}{t} \cdot \frac{V}{I}$$

where: ρ = volume resistivity (ohm-cm)

K_V = test cell constant for volume resistivity based on cell geometry (cm²)

V = applied voltage (volts)

I = measured current (amperes)

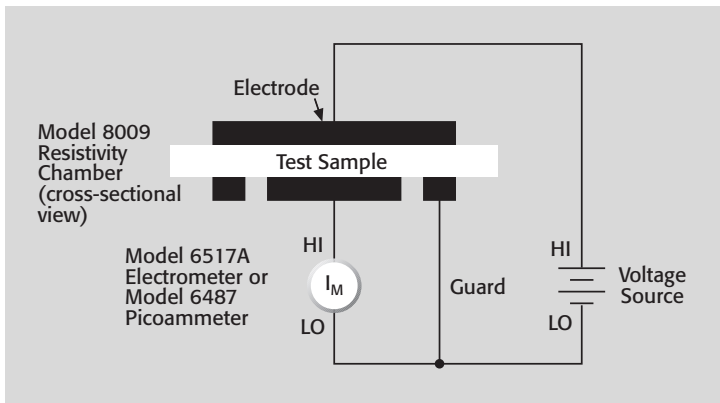
t = sample thickness (cm)

Figure 4-22 depicts a measurement configuration that complies with ASTM D257 for volume resistivity measurements. In this circuit, the HI of the ammeter is placed on the bottom electrode and the HI of the voltage source to the top electrode. The LO of the ammeter and the LO of the source are connected together. The bottom outside electrode is connected to guard (LO of the ammeter) to prevent surface leakage currents from being added into the measurement.

Surface Resistivity Measurements

Surface resistivity is defined as the electrical resistance of the surface of a material and is expressed in ohms (usually referred to as ohms per square). It is measured by placing two electrodes on the surface of the test sample,

FIGURE 4-22: Volume Resistivity



applying a potential difference between them, and measuring the resulting current. The surface resistivity is calculated as follows:

$$\sigma = K_S \cdot \frac{V}{I}$$

where: σ = surface resistivity (ohms)

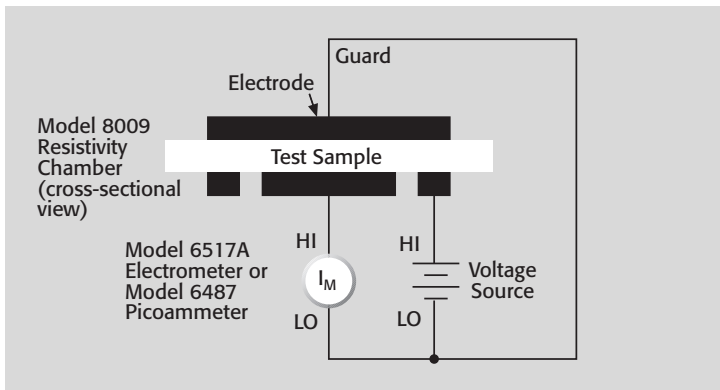
K_S = test cell constant for surface resistivity based on cell geometry

V = applied voltage (volts)

I = measured current (amperes)

Figure 4-23 is a configuration for measuring surface resistivity. This configuration is similar to the circuit for performing volume resistivity measurements, except that the resistance is measured between the bottom two

FIGURE 4-23: Surface Resistivity



electrodes. Note the top electrode is guarded, so that only current flowing across the insulator is measured by the picoammeter.

Test Parameters

Volume and surface resistivity measurements are dependent on several factors. First, they are functions of the applied voltage. Sometimes, the voltage may be varied intentionally to determine the voltage dependence of an insulator. The resistivity also varies as a function of the length of electrification time. The longer the voltage is applied, the lower the measured current becomes because the material continues to charge exponentially.

Humidity greatly affects the results of surface resistivity measurements and, to a lesser degree, volume resistivity measurements, as well. Moisture will cause the surface resistivity measurements to be lower than normal.

To make accurate comparisons between specific tests, the applied voltage, electrification time, and environmental conditions should be kept constant from one test to the next.

Using the Model 8009 Resistivity Chamber

No sample preparation is necessary when using the Model 8009 Resistivity Chamber. This fixture ensures a standardized electrode configuration, eliminating the need to paint electrodes on the sample or use mercury-filled rings. The recommended sample size for using this test fixture is 2.5–4 inches in diameter and up to 0.125 inch thick.

Some extremely rigid samples, such as glass epoxy and ceramics, require an interface between stainless steel electrodes and the sample surface. The Model 8009 includes conductive rubber for the top and bottom electrodes to enhance surface contact between the sample and the fixture. Care must be taken because the electrode area becomes the area of the contact medium. If it is not the same configuration and size as the electrodes, the conversion constants furnished with the system may be invalid.

The Model 8009 employs a safety interlock to prevent the high voltage from being applied to the electrode until the test fixture lid is closed. This fixture also shields the sample from electrostatic interference.

Offset Correction Techniques

When measuring materials with very high resistivity, background currents may cause measurement errors. Background currents may be due to charge stored in the material (dielectric absorption), static or triboelectric charge, or piezoelectric effects. Background currents can be equal to or greater than the current stimulated by the applied voltage. If the background current is the same polarity as the measured current, the resultant measured current value will be much higher than the true value. If the background current is the opposite polarity, these unwanted currents could cause a reverse polarity current reading. That is, the current polarity is opposite the polarity of the applied voltage, so the calculated resistance will be negative. To counter

these problems, the Alternating Polarity and Alternating Voltage Methods can virtually eliminate the effects of background currents in the sample.

Alternating Polarity Method

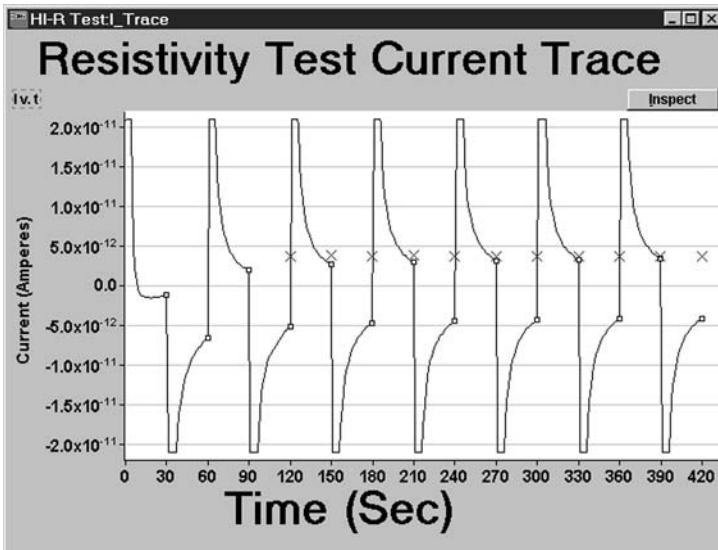
The Alternating Polarity Method applies a bias voltage of positive polarity, then the current is measured after a specified delay. Next, the polarity is reversed and the current is measured again, using the same delay. The polarity reversal process can be repeated any number of times. The resistance is calculated based on a weighted average of the most recent current measurements.

The Model 6517A Electrometer has the Alternating Polarity Method built into a test sequence. With this method, the user enters the test voltage, measurement time and the number of iterations. The final resistance value is calculated and stored in memory.

The Model 6524 High Resistance Software enables the user to view the actual current waveform that results from the applied alternating polarity test voltage. A typical waveform is shown in **Figure 4-24**. Note the exponential decay in the current using both a positive and a negative test voltage. The marked Xs represent the calculated current based on a weighted average of the last few measurements.

In addition to the Hi-R Test, the software includes three other programs. The HI-R Step Response Program analyzes the current transient from a single voltage step and can be used to determine the appropriate measure

FIGURE 4-24: Actual Current Waveform Resulting from Applied Alternating Polarity Voltage



time for a given sample. The Hi-R Sweep Test will measure current or resistance while sweeping one of the following parameters: Alternating Voltage, Offset Voltage, or Measure Time. The Hi-R, T and RH program allows plotting resistance vs. time as well as either temperature or relative humidity, with appropriate probes.

Alternating Voltage Method

The Model 6487 Picoammeter/Voltage Source offers a built-in alternating voltage ohms mode, which consists of taking two current measurements—one at a user-specified test voltage and one at 0V. By determining the current difference that results from the step voltage, this mode allows for nulling out the effects of background current.

4.4.3 Resistivity Measurements of Semiconductors

Overview

Semiconductor materials may have high resistivities depending on the level of doping. Several factors can complicate measuring the resistivity of these materials, including problems in making good contact with the material. Special probes have been designed for making resistivity measurements on semiconductor wafers and bars. These probes typically use a hard metal such as tungsten, which is ground to a sharp point. Contact resistance is very high in these cases, so either a four-point collinear probe or four isolated probes should be used. While two contacts supply a constant current, the other two contacts measure the voltage drop across a portion of the sample. The resistivity can be calculated by applying geometrical factors to the measured resistance.

These measurements may seem straightforward, but certain precautions should be observed. Good shielding of the contacts and electrical leads is important for three reasons:

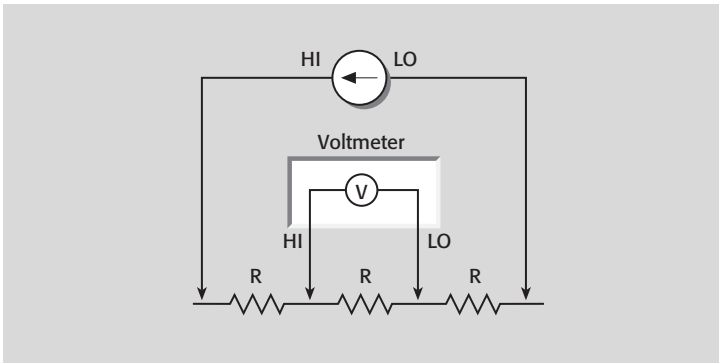
1. The circuit involves high impedance, so it's susceptible to electrostatic interference.
2. The contact points on the semiconductor material can cause a diode action and, thus, rectify any pickup and display it as a DC offset.
3. The material is usually sensitive to light.

The following paragraphs discuss measuring semiconductor resistivity using both the four-point collinear probe and van der Pauw techniques.

Four-Point Probe Technique

The four-point collinear probe resistivity measurement technique involves bringing four equally spaced probes in contact with the material of unknown resistance. The probe array is placed in the center of the material. **Figure 4-25** is a diagram of this technique.

FIGURE 4-25: Four-Point Collinear Probe Method of Measuring Resistivity



A known current is passed through the two outside probes and the voltage is sensed at the two inside probes. The resistivity is calculated as follows:

$$\rho = \frac{\pi}{\ln 2} \times \frac{V}{I} \times t \times k$$

where: V = the measured voltage (volts)

I = the source current (amps)

t = the wafer thickness (cm)

k = a correction factor based on the ratio of the probe to wafer diameter and on the ratio of wafer thickness to probe separation

As shown in **Figure 4-26**, a more realistic circuit would include a contact or spreading resistance at each probe (r_1 through r_4), the finite resistance from LO to earth ground of both the current source (R_C) and the voltmeter (R_V), and the input resistance of the voltmeter (R_{IN}). Depending upon the material, the contact resistance (r) may be as much as 300 times or more than the measured resistance (R_2). This requires the current source to have considerably higher compliance voltage than might be expected and the voltmeter must have a much higher input resistance.

The current source is not completely isolated from earth ground, so as the sample resistance increases, it becomes increasingly necessary to use a differential electrometer. The problem exists because the sample may have a very high resistance ($10^8\Omega$ or higher), which is of the same order of magnitude as the isolation (Input LO to chassis, R_V) of the electrometer voltmeter. As shown in **Figure 4-26**, an AC current will flow from the LO terminal of the current source through the sample and to the voltmeter's LO terminal, then back to ground. The resulting voltage drop across r_3 will cause erroneous results when the voltmeter measures the voltage drop between probes 2 and 3.

FIGURE 4-26: Realistic Circuit of the Four-Point Collinear Probe Method

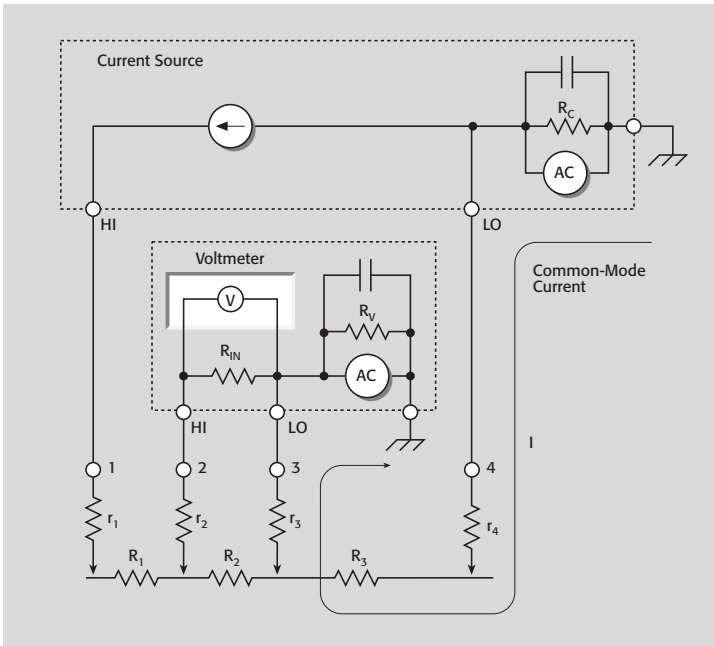
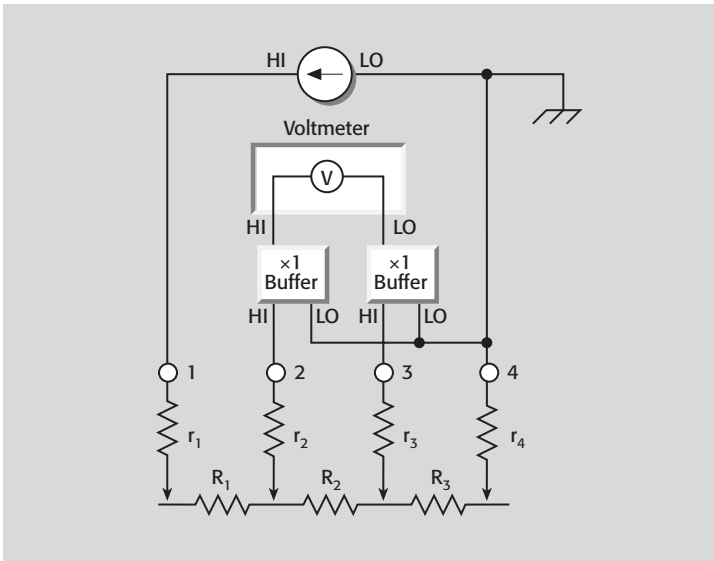


FIGURE 4-27: Making Differential Four-Point Probe Measurements



Using two electrometers eliminates this problem, as shown in **Figure 4-27**. The voltmeter will read the difference between the two electrometers' buffer outputs, which is equal to the voltage across R_2 . The values (r_1 , r_2 , r_3 , and r_4) represent the resistance due to the probe in contact with the material. The unity-gain buffers have very high input impedance, so little common-mode current will flow through r_3 and the value of R_2 can be calculated easily. The buffers can be a pair of JFET op amps or two electrometers with unity-gain outputs.

To avoid leakage currents, use either isolated or guarded probes to make contact with the sample. The current source should be in the guarded mode. See Section 2.2.1 for a more detailed discussion of guarding.

van der Pauw Technique

The van der Pauw technique for measuring resistivity also employs a constant-current method. This method is particularly useful for measuring very small samples because the dimensions of the sample and the spacing of the contacts are unimportant. This technique uses four isolated contacts on the boundary of a flat, arbitrarily shaped sample. Eight measurements are made around the sample, as illustrated in **Figure 4-28**.

Two values of resistivity, ρ_A and ρ_B , are then computed as follows:

$$\rho_A = \frac{\pi}{\ln 2} f_A t_s \frac{(V_2 + V_4 - V_1 - V_3)}{4I}$$

$$\rho_B = \frac{\pi}{\ln 2} f_B t_s \frac{(V_6 + V_8 - V_5 - V_7)}{4I}$$

where: ρ_A and ρ_B are resistivities in ohm-cm;

t_s is the sample thickness in cm;

V_1 - V_8 represent the voltages measured by the voltmeter;

I is the current through the sample in amperes;

f_A and f_B are geometrical factors based on sample symmetry, and are related to the two voltage ratios Q_A and Q_B as shown in the following equations ($f_A = f_B = 1$ for perfect symmetry).

Q_A and Q_B can be calculated using the measured voltages as follows:

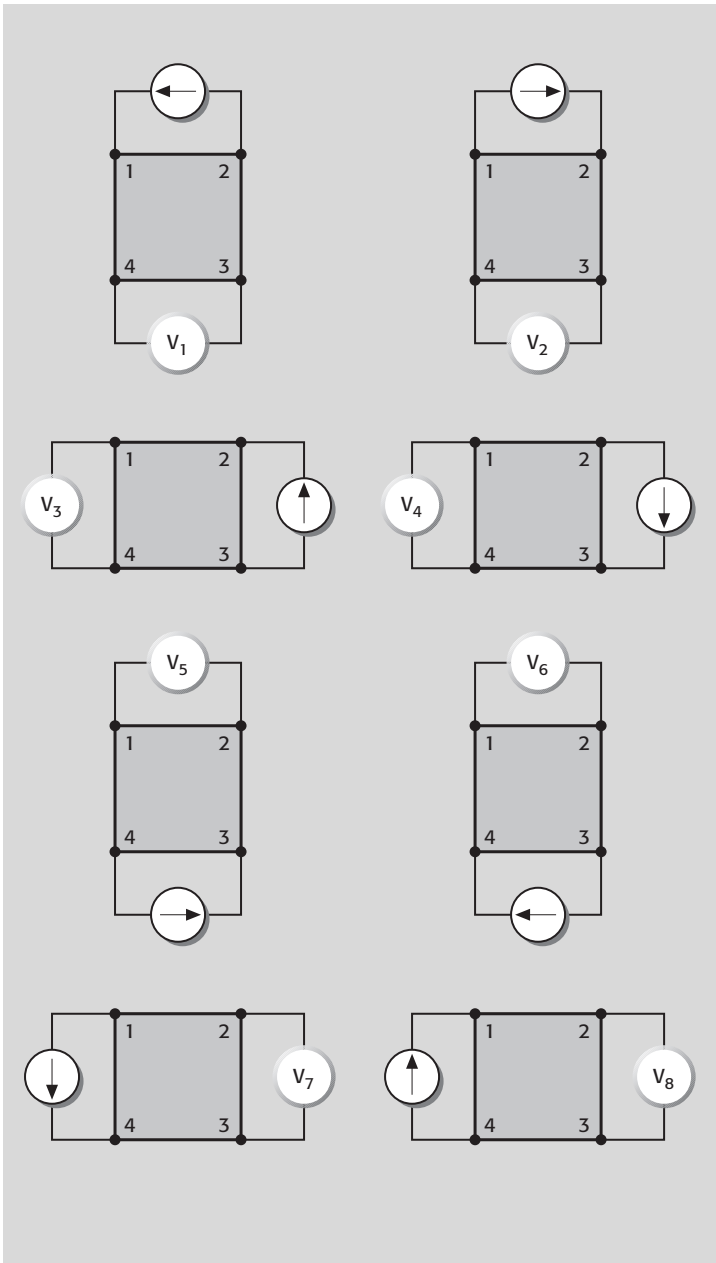
$$Q_A = \frac{V_2 - V_1}{V_4 - V_3}$$

$$Q_B = \frac{V_6 - V_5}{V_8 - V_7}$$

Also, Q and f are related as follows:

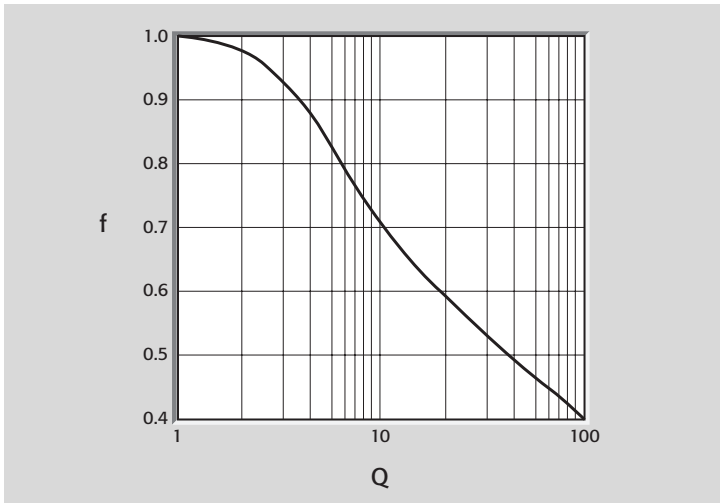
$$\frac{Q - 1}{Q + 1} = \frac{f}{0.693} \operatorname{arc} \cosh \left(\frac{e^{0.693f}}{2} \right)$$

FIGURE 4-28: van der Pauw Resistivity Measurement Conventions



A plot of this function is shown in **Figure 4-29**. The value of f can be found from this plot once Q has been determined.

FIGURE 4-29: Plot of f vs. Q



Note that if ρ_A and ρ_B are not within 10% of one another, the sample is not sufficiently uniform to determine resistivity accurately, and should be discarded.

Once ρ_A and ρ_B are known, the average resistivity (ρ_{AVG}) can be determined as follows:

$$\rho_{AVG} = \frac{\rho_A + \rho_B}{2}$$

As with the four-point collinear probe method, a differential measurement may be required if the sample resistance is of the same magnitude as the isolation (meter common to ground) of the voltmeter. As **Figure 4-30a** shows, common-mode current may flow between terminals 4 and 3 of the sample. **Figure 4-30b** illustrates how this problem can be resolved by using unity-gain buffers and a differential measurement. Now, very little common-mode current flows between terminals 4 and 3.

The system shown in **Figure 4-31** employs the Keithley Model 7065 Hall Effect Card to make van der Pauw measurements. The system includes the following instruments: Model 7065 Hall Card, Model 2000 DMM, Model 6220 Current Source, Model 6485 Picoammeter, and Model 7001 Switch System. The current source and voltmeter are automatically switched to all sides of the sample using the Hall Effect Card. This eliminates the need to connect and disconnect the leads four times. Also, the card has built-in unity-gain buffers, so differential measurements can be made easily on high

FIGURE 4-30a: Erroneous Measurements Caused by Common-Mode Problems

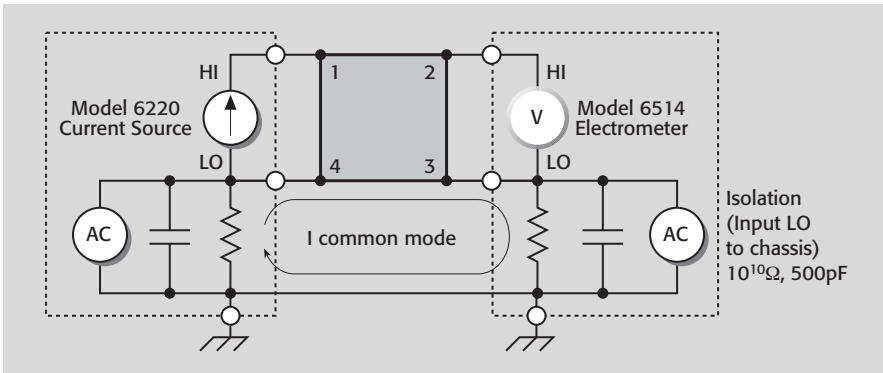
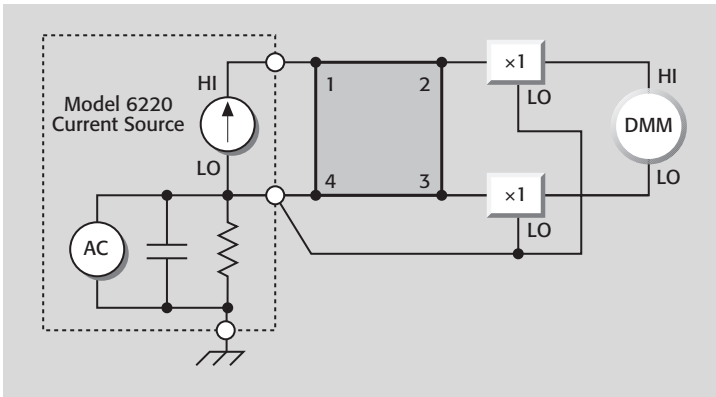


FIGURE 4-30b: Eliminating Common-Mode Errors with a Differential Measurement



resistivity samples. With the addition of a controlled magnetic field, this system can also be used to determine the Hall coefficient of the sample.

The Model 4200-SCS Semiconductor Characterization System can measure resistivity using either the four-point collinear probe or van der Pauw methods. Testing high resistance samples requires the use of voltmeters with very high input impedance ($>10^{14}\Omega$) and a current source that can output very small current ($<1\text{nA}$) and which has high output impedance. The Model 4200-SCS is suitable for this application because it can be configured with multiple SMUs that have high input impedance ($>10^{16}\Omega$) and accurate low current sourcing.

A Model 4200-SCS configured with four SMUs and four preamps can be used to make van der Pauw resistivity measurements. One SMU is connected to each terminal of the sample, as shown in **Figure 4-32**. Interactive Test Modules (ITMs) are used to control the functions of the SMUs.

FIGURE 4-31: van der Pauw Measurement System

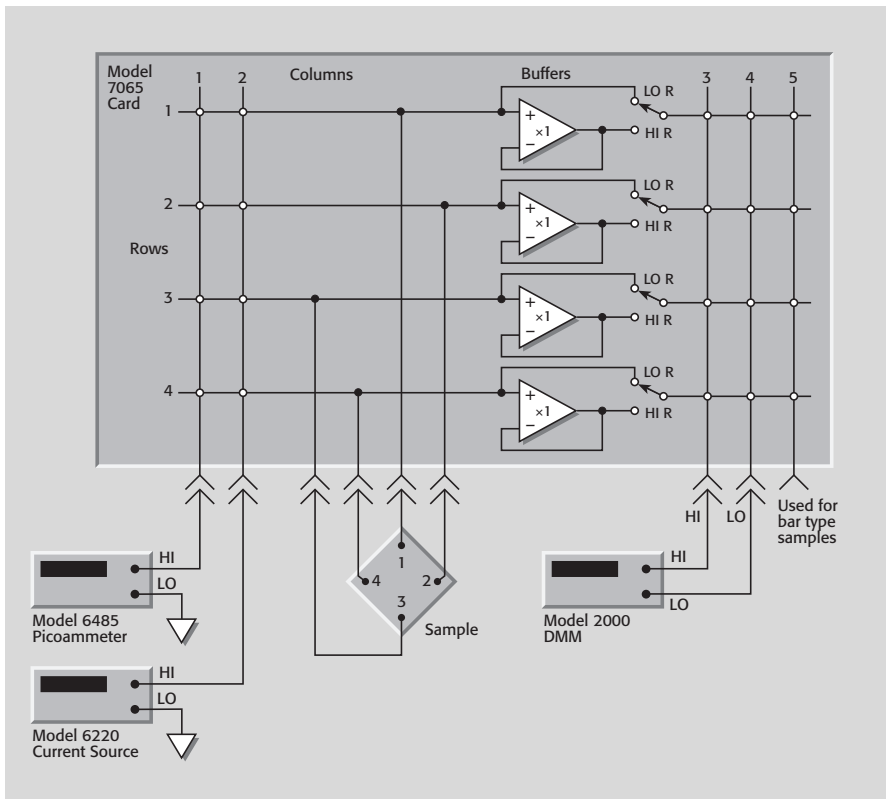
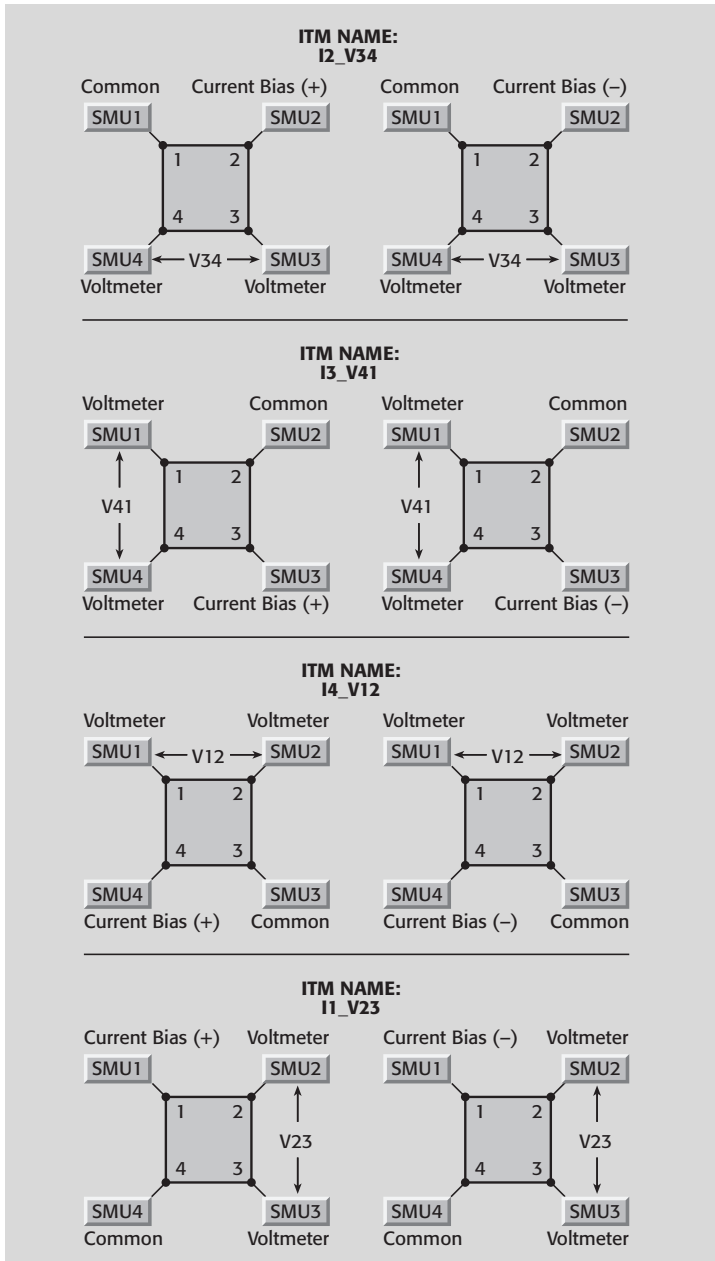


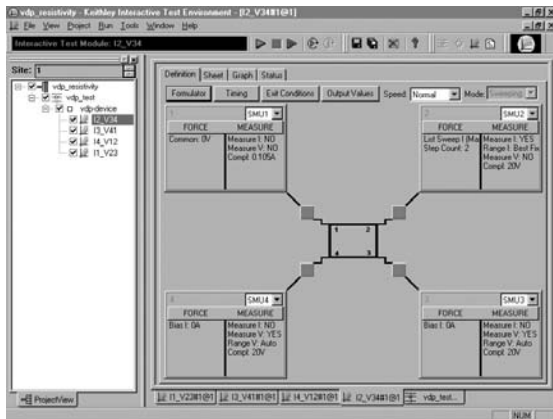
FIGURE 4-32: Model 4200-SCS SMU Configurations for van der Pauw Measurements



Through interactive programming, the function of each SMU can change automatically from a current source, voltmeter, or common in order to source current and measure voltage around all sides of the sample. Changing the function of each SMU interactively makes it unnecessary to use external switches to switch the current source and voltmeter to all terminals of the sample.

Keithley's Model 4200-SCS "project" for measuring van der Pauw resistivity is available from Keithley. **Figure 4-33** is a screen capture from that project. In this example, SMU1 is configured as a common, SMU2 as a current bias, and SMU3 and SMU4 are configured as voltmeters.

FIGURE 4-33: Screen Capture of van der Pauw Resistivity Application on Model 4200-SCS



An electromagnet can be used with the Model 4200-SCS for determining Hall coefficient.

4.4.4 Voltage Coefficient Testing of High Ohmic Value Resistors

Overview

Very high ohmic value resistors may exhibit a significant change in resistance with a change in applied voltage. This effect is known as the voltage coefficient. The voltage coefficient is the percent change in resistance per unit change in applied voltage and is defined as follows:

$$\text{Voltage Coefficient (\%/V)} = \frac{(R_2 - R_1)}{R_1} \times \frac{1}{(V_2 - V_1)} \times 100\%$$

Alternately, the voltage coefficient may be expressed in ppm as follows:

$$\text{Voltage Coefficient (ppm/V)} = \frac{(R_2 - R_1)}{R_1} \times \frac{1}{(V_2 - V_1)} \times 10^6$$

where: R_1 = resistance calculated with first applied voltage (V_1).

R_2 = resistance calculated with second applied voltage (V_2).

$$V_2 > V_1$$

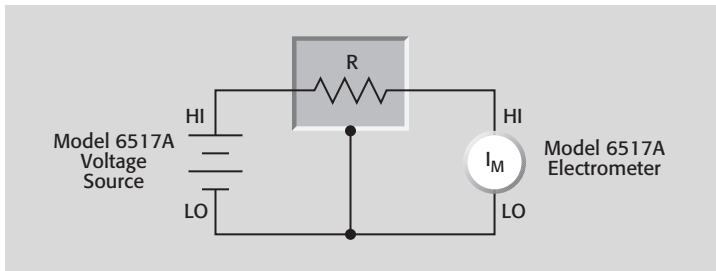
A typical voltage coefficient for a 10G Ω resistor can be about $-0.008\%/V$ or $-80\text{ppm}/V$. Thus, if a high resistance is required in a measurement circuit, the error analysis must account for the error due to the voltage coefficient of the resistor, in addition to all other time and temperature error factors.

Using the Model 6517A to Determine Voltage Coefficient

Measuring the voltage coefficient of a high resistance requires sourcing a voltage and measuring a low current. An electrometer, such as the Model 6517A, is required to make this measurement. The Model 6517A has a built-in test sequence for determining voltage coefficient. This test makes resistance measurements at two different voltage levels, then calculates the voltage coefficient. The voltage coefficient is displayed as a percent change in resistance per volt.

Figure 4-34 is a typical test configuration for voltage coefficient measurements with the 6517A. To minimize noise and leakage resistance, the resistor should be placed in a shielded, guarded test fixture. Connect the shield of the test fixture to the LO of the electrometer and connect the LO of the electrometer to the LO of the source. Connect the HI terminal of the electrometer to one end of the resistor and the HI of the voltage source to the other end.

FIGURE 4-34: Connecting the Model 6517A Electrometer for Voltage Coefficient Testing



The resistor is first measured with test voltage V_1 , giving R_1 . Next, it is measured with test voltage V_2 (where V_2 is greater than V_1), giving R_2 . The voltage coefficient for the resistor is then calculated using the equation given in the overview.

4.5 Charge Measurement Applications

The coulombmeter and the techniques used to make charge measurements were described in Sections 1 and 2 respectively. Charge measurements include applications such as measuring capacitance and static charge on

objects. As discussed in Section 2.3.7, charge measurement techniques can also be used to measure very low currents (<10fA).

4.5.1 Capacitance Measurements

Overview

The coulombs function of an electrometer can be used with a step voltage source to measure capacitance. This technique is especially useful for testing cables and connectors because it can measure capacitances ranging from <10pF to hundreds of nanofarads. The unknown capacitance is connected in series with the electrometer input and the step voltage source. The calculation of the capacitance is based on this equation:

$$C = \frac{Q}{V}$$

Test Method

The basic configuration for measuring capacitance with a Model 6517A Electrometer is shown in **Figure 4-35**. The instrument is used in the charge (or coulombs) mode and its internal voltage source provides the step voltage. Just before the voltage source is turned on, disable the meter's zero check and suppress the charge reading by using the REL function to zero the display. Then, turn on the voltage source and note the charge reading immediately. The capacitance is calculated from:

$$C = \frac{Q_2 - Q_1}{V_2 - V_1}$$

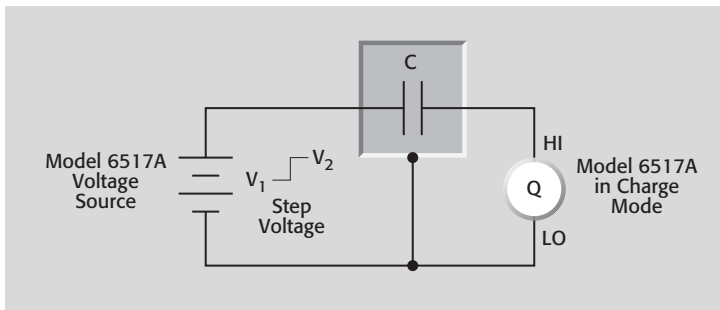
where: Q_2 = final charge

Q_1 = initial charge assumed to be zero

V_2 = step voltage

V_1 = initial voltage assumed to be zero

FIGURE 4-35: Capacitance Measurement Using Model 6517A Electrometer



After the reading has been recorded, reset the voltage source to 0V to dissipate the charge from the device. Before handling the device, verify the capacitance has been discharged to a safe level.

The unknown capacitance should be in a shielded test fixture. The shield is connected to the LO input terminal of the electrometer. The HI input terminal should be connected to the highest impedance terminal of the unknown capacitance. For example, when measuring the capacitance of a length of coaxial cable, connect the HI terminal of the electrometer to the center conductor of the cable, allowing the cable shield to minimize electrostatic interference to the measurement.

If the rate of charge is too great, the resulting measurement will be in error because the input stage becomes temporarily saturated. To limit the rate of charge transfer at the input of the electrometer, add a resistor in series between the voltage source and the capacitance. This is especially true for capacitance values $> 1\text{nF}$. A typical series resistor would be $10\text{k}\Omega$ to $1\text{M}\Omega$.

4.5.2 Using a Faraday Cup to Measure Static Charge on Objects

Overview

Insulators permit only a slight motion of electrons; therefore, electrostatic charges can build up on a material and create hazards. The problem generally is not the static charge itself on the object, but rather the spark generated when the object discharges. Therefore, in order to understand and control these problems, it's necessary to measure the static electricity on an object. This can be done by placing the object in a Faraday cup and measuring the charge with an electrometer. The Faraday cup method can be used to measure the charge on a wide range of substances and objects, such as plastics, films, liquids, gases, and electronic components.

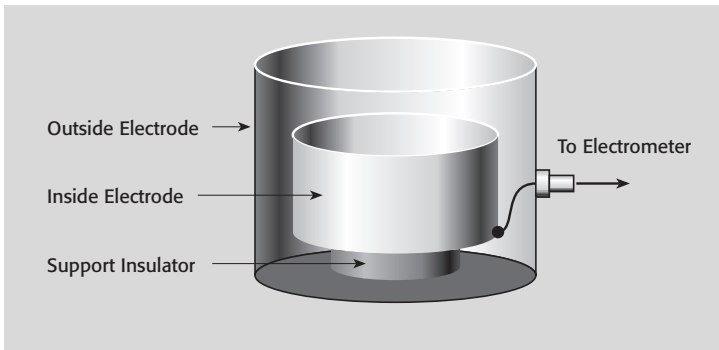
A Faraday cup (sometimes called a Faraday cage or icepail) is an enclosure made of sheet metal or conductive mesh. The electric field within a closed, empty conductor is zero, so the cup shields the object placed inside it from any atmospheric or stray electric fields. This allows measuring the charge on the object accurately.

Description of a Faraday Cup

Figure 4-36 illustrates a Faraday cup. It consists of two electrodes, one inside the other, separated by an insulator. The inside electrode is connected to the electrometer HI and the outside electrode is connected to the electrometer LO. When a charged object is placed within the inside electrode, an induced charge will flow into the electrometer.

A Faraday cup can have virtually any dimensions, depending on the size and shape of the object to be tested. Cylindrical and spherical shapes are typically the most convenient choices—simple containers like coffee or paint cans are often used. The electrodes can be made of any conductive

FIGURE 4-36: Faraday Cup



material. The support insulators should be made of materials with very high resistance, such as Teflon[®] or ceramic.

For convenience in making connections, mount a BNC connector on the outside electrode. Connect the outer or shield connection of the BNC connector to the outside electrode, then connect the inner conductor of the BNC connector to the inside electrode. Use an adapter to connect the BNC connector to the triax input of the electrometer.

Test Procedure

To perform the test, connect an electrometer to the Faraday cup using a shielded cable. Turn on the electrometer, select the coulombs function, then disable “Zero Check.” Press “Rel” to zero the display. Drop the charged object to be tested into the Faraday cup. Note the charge reading on the electrometer immediately; don’t wait for the reading to settle because the input offset current of the electrometer will continue charging the input of the meter. This is particularly important when the unknown charge is at the pico-coulomb level. If the object is conductive, it will be discharged as soon as it touches the electrode. Enable “Zero Check” to re-zero the meter in preparation for the next measurement.

4.6 Low Voltage Measurement Applications

Nanovoltmeters and techniques for measuring low voltage were described in Sections 1 and 3 respectively. In particular, Section 3.2 discussed a number of error sources that can seriously affect precision measurements. Low voltage measurement applications include standard cell comparisons and high resolution temperature measurements and microcalorimetry.

4.6.1 Standard Cell Comparisons

Overview

Standard cells are electrochemical cells used as voltage references in many electrical standards laboratories. If cared for properly, standard cells are very

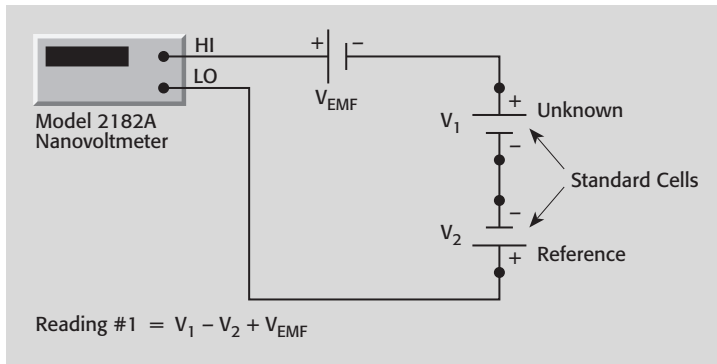
stable. The voltage of the individual cell is determined by calculating the present value, based on a series of measured cell differences, from an accepted reference.

Because individual cells may differ by only a few microvolts, making accurate measurements requires using a nanovoltmeter and low voltage measurement techniques. This application describes comparing two standard cells and comparing a standard cell with a precision voltage reference.

Comparing Two Standard Cells

Standard cell intercomparisons require measuring the potential difference between a reference and an unknown standard cell. All cell differences are determined in a series opposition configuration. As shown in **Figure 4-37**, the negative terminals of the standard cells, V_1 and V_2 , are connected. Copper conductors connect the cells to the voltmeter to minimize errors due to thermoelectric EMFs (V_{EMF}).

FIGURE 4-37: Connections for Standard Cell Comparison, Reading #1

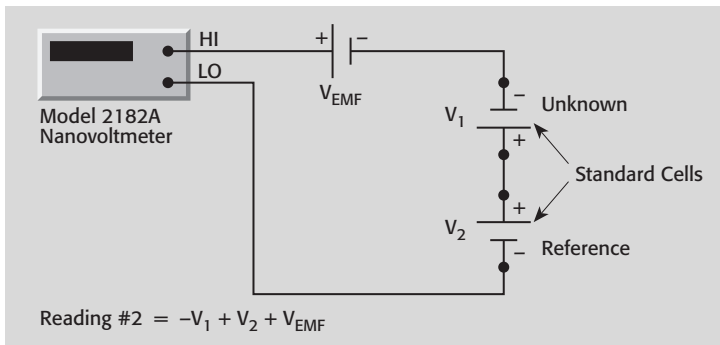


Once the measurement connections are made, take care to avoid errors due to thermally generated potentials. To minimize the effects of thermoelectric EMFs, a second measurement is taken with the cells reversed, as shown in **Figure 4-38**. The small voltage difference is calculated by averaging the absolute values of the two readings, as discussed in Section 3.2.1.

Throughout the entire intercomparison process, it's desirable to establish the stability of a measured cell difference by calculating a standard deviation across several redundant readings.

Once stability is achieved, the voltage for each cell is calculated based on the group mean. Several readings are usually averaged for each comparison. This process of intercomparing cells is repeated at intervals established by the standards laboratory. The results can be plotted and compared over time. This process is useful for maintaining fewer than six cells. If more cells must be maintained, an automated scanner with computer control can be used to manage them more effectively.

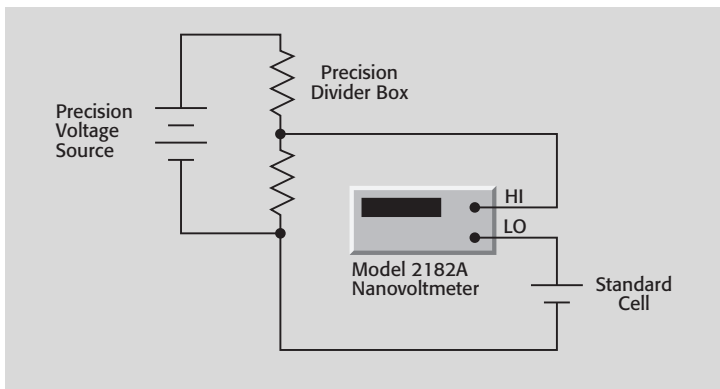
FIGURE 4-38: Connections for Standard Cell Comparison, Reading #2



Comparing a Precision Voltage Source with a Standard Cell

A standard cell can be used to determine the value of a precision DC voltage source, as shown in **Figure 4-39**. A precision divider box divides the voltage source down to roughly the standard cell voltage. A nanovoltmeter is used as a null detector to determine the difference between the divider output and the standard cell. Once the divider ratio and the standard cell voltage are known, the precision DC source voltage can be determined. Take care to avoid drawing any current from the standard cell, which would cause the cell voltage to drift.

FIGURE 4-39: Connections for Comparing Precision DC Source to Standard Cell



The output impedance of the divider is likely to be much higher than the standard cell impedance, so the nanovoltmeter HI terminal must be connected to the divider output, as shown in **Figure 4-39**, to prevent common-mode current from creating additional voltage drop to the resistive divider.

4.6.2 High Resolution Temperature Measurements and Microcalorimetry

Overview

Microcalorimetry measurements are used to determine various energy relationships. Microcalorimetry techniques are often required when performing calorimetric experiments with small sample sizes or slow heating rates. The design of a microcalorimeter can vary greatly, depending on the specific application, and many are custom made. When running tests, differential thermometry techniques allow users to measure small changes in temperature. Microcalorimetry experiments may require measuring temperature changes as small as $100\mu^{\circ}\text{C}$. This section describes two types of temperature sensors and a microcalorimetry measurement system using thermocouples and a Model 2182A Nanovoltmeter.

Temperature Sensors

Thermistors and thermocouples are common types of transducers used in differential thermometry. The choice of transducer depends on the specific microcalorimetry application.

Thermistors are temperature-sensitive resistors with good linearity and accuracy characteristics. These devices require an excitation signal, so they will dissipate power in the form of heat, which may lead to a measurement error.

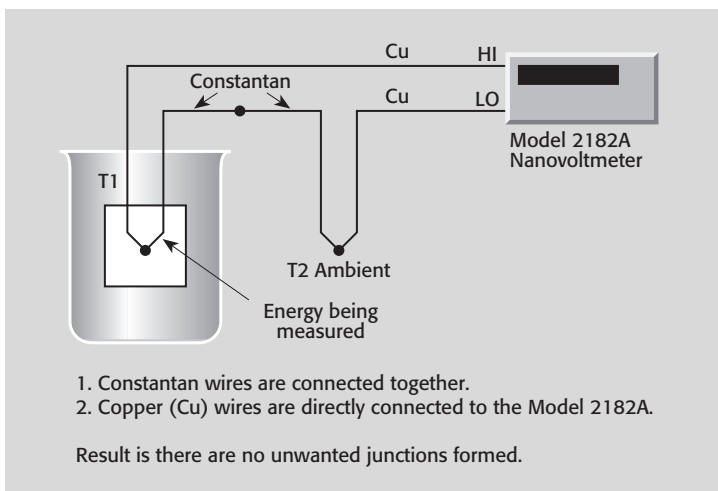
Thermocouples are the most widely used type of temperature sensor. These rugged and inexpensive devices are formed by the junction of two dissimilar metals. Several different types, covering a wide temperature range, are available. Thermocouple linearity varies, depending on thermocouple type and temperature range.

Description

Microcalorimeter design can vary greatly, depending on the experiment being performed. The application described here uses a simple calorimeter to perform microcalorimetry measurements. Temperature is measured with a differential thermocouple thermometer. In the differential configuration, one thermocouple is placed inside the calorimeter and the other is placed outside the device. The difference voltage is proportional to the temperature differential. Measurement sensitivity is approximately $25\text{m}^{\circ}\text{C}/\mu\text{V}$ (depending on the thermocouple type). **Figure 4-40** shows a typical microcalorimeter setup, which uses a Model 2182A Nanovoltmeter to make the necessary voltage measurements.

The temperature inside the calorimeter need only be known with moderate accuracy; however, to measure the small changes that occur during the experiment, the greatest precision and resolution are essential. Measuring the differential thermocouple's signal to sub-millidegree resolution demands a very sensitive voltmeter. The Model 2182A can detect temperature changes of about $100\mu^{\circ}\text{C}$, depending on the type of thermocouple

FIGURE 4-40: Microcalorimeter with Differential Temperature Measurement



used. Each thermocouple type is unique in terms of the amount of potential for a given change in temperature.

The thermocouples may be calibrated in a separate apparatus or they may be an integral part of the calorimeter and calibrated in place. Calibration can be performed using a standardized thermometer at the approximate temperature range of the test or with a fixed point reference (e.g., the boiling point of oxygen).

Before a test can be performed, the heat capacity of the calorimeter must be determined. This can be determined by directly measuring the temperature increase associated with the introduction of a known quantity of heat. Heat can be precisely determined by sourcing a current accurately through a known resistance. Heat can also be introduced by a standard chemical reaction.

Making low temperature measurements with thermocouples means that low level voltages are being measured, so take special care to consider the effects of both thermoelectric EMFs and magnetic fields on measurement accuracy. See Section 3.2 for more details on these aspects.

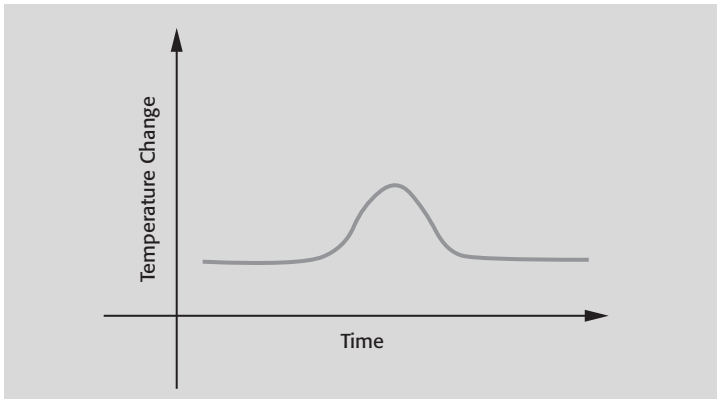
Running the Test

For best results, set the Model 2182A for the 10mV range and for line cycle integration (INPLC) for maximum line frequency noise rejection. Enabling the filter can reduce noise further. Take care that the response time of the filter doesn't cause errors in the peaks of the heat curve. A slow responding filter will smooth the peaks of the data, which could allow vital temperature information to be lost. The Model 2182A provides a selection of filter settings to optimize system noise rejection and ensure proper peak detection.

The temperature inside and outside the calorimeter must be the same before the experiment begins. A temperature difference of 0° corresponds to a differential thermocouple output voltage of $0V$. If a change in temperature occurs, it's assumed to be caused by the phenomena of the experiment.

After the test is complete, the data can be applied to the calibration curve, converted to temperature, and analyzed. **Figure 4-41** is a typical heat curve graph of a chemical reaction. The final result is usually expressed as heat (calories) or energy (joules).

FIGURE 4-41: Typical Heat Reaction Curve



4.7 Low Resistance Measurement Applications

Low resistance measurement applications include contact resistance, superconductor resistance, and resistivity measurements of conductors. These measurements can be made with either a micro-ohmmeter or a nanovoltmeter with a current source. See Section 3.3 for a discussion of precision low resistance measurement methods.

4.7.1 Contact Resistance

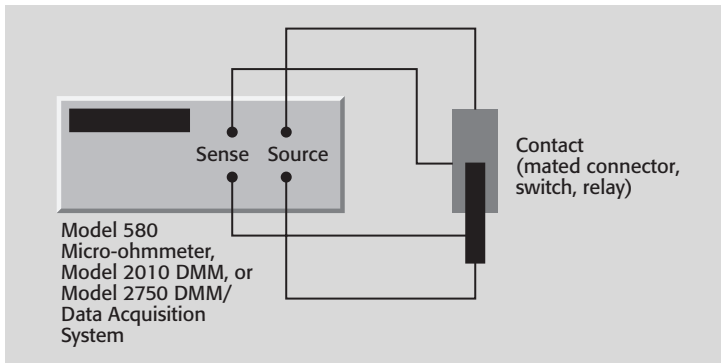
Overview

Contact resistance is the resistance to current flow through a closed pair of contacts. These types of measurements are made on components such as connectors, relays, and switches. This resistance is normally very small, ranging from micro-ohms to a few ohms. Test procedures may vary, depending on the type of device and the application. ASTM Method B539, "Measuring Contact Resistance of Electrical Connections" and MIL-STD-1344 Method 3002, "Low-Signal Level Contact Resistance" are two published test procedures commonly used to measure contact resistance. In general, certain basic principles apply to four-terminal contact resistance measurements.

Measurement Method

Figure 4-42 illustrates a basic configuration for testing contact resistance of a contact. An ohmmeter with four-terminal measurement capability is used to prevent lead resistance from being added to the measurement. The source terminals are connected on either end of the contact pair. The sense terminals are connected as closely as possible to the voltage drop across the contact. This is intended to keep the voltage drop due to the test leads and bulk resistance from being included in the measurement. The bulk resistance is the resistance the total contact would have if it were a solid piece of metal having an identical geometry so that the actual contact area had zero resistance.

FIGURE 4-42: Using a Micro-ohmmeter or DMM to Measure Four-Wire Resistance Across Contact



It is sometimes difficult to make a four-wire connection to a device designed for just two wires. The style of device will determine how to make the connections. In general, devices should be prepared for testing as much as possible as they would be used in a normal application. Voltage probes should be placed on the sample in a manner that does not mechanically disturb the contact. For instance, soldering the probes may cause unexpected changes in the contact resistance. In some cases, however, soldering may be unavoidable. Each connection point to the test contact can create thermo-electric EMFs; however, these can be compensated for by using either the current-reversal or offset-compensation method, which are described in Section 3.3.2.

Dry Circuit Testing

Often, the purpose of the contact resistance test is to determine whether contact oxidation or other surface film buildup has increased the resistance of the device under test. If the voltage across the device is too high for even a short time, the oxide layer or film will be ruptured, compromising the validity of the test. The level of voltage required to break down a film usually ranges from 30mV to 100mV.

Excessive current through the contacts during testing can cause a physical change in the contact area on a microscopic level. Current can cause heating, which can soften or melt the contact points and the surrounding area. As a result, the contact area enlarges, resulting in a reduction in resistance.

To avoid these problems, the dry circuit method is usually employed for contact resistance tests. A dry circuit is one in which the voltage and current are limited to levels that can't cause changes in the physical and electrical condition of the contact junction. In general, that means the open circuit voltage is 20mV or less and the short circuit current is 100mA or less.

Because of the low test current level used, a very sensitive voltmeter is required to measure the voltage drop, which is usually in the microvolt range. Because of the potential for physical or electrical changes to the contact that other test methods pose, dry circuit measurements should be done on the device before any other electrical tests are made.

Refer to Section 3.3.5 for further information on dry circuit testing.

Using a Micro-Ohmmeter or DMM

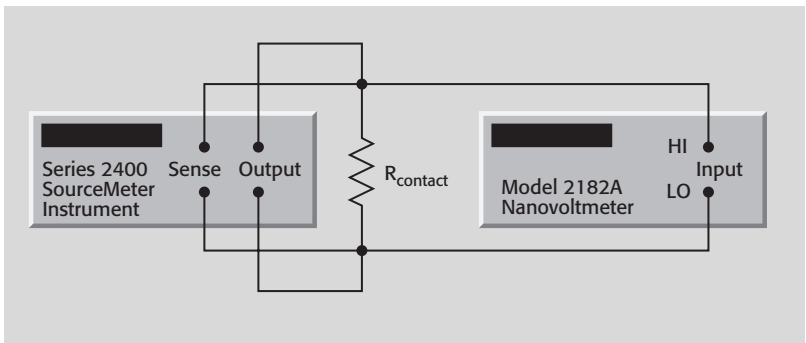
Figure 4-42 shows a basic configuration for making four-wire contact resistance measurements with a Model 580 Micro-ohmmeter, Model 2010 DMM, or Model 2750 DMM/Data Acquisition System. These instruments can automatically compensate for thermoelectric offsets in the sense circuit by using the Offset Compensation mode. They also have built-in dry circuit measurement capability. For most applications, the micro-ohmmeter or DMM is sufficient for contact resistance measurements. If the short circuit current or measured resistance values are much smaller than the micro-ohmmeter's or DMM's specifications, a nanovoltmeter and a current source must be used.

Using a Nanovoltmeter and Current Source

Figure 4-43 illustrates a test configuration that employs a Model 2182A Nanovoltmeter and a Series 2400 SourceMeter instrument for contact resistance measurements. The Series 2400 instrument forces a current through the contact and the nanovoltmeter measures the voltage drop developed across the contact. For dry circuit testing, the open circuit voltage is clamped to 20mV by setting the SourceMeter compliance to 20mV. To ensure the compliance voltage is measured only across the contact and not across the test leads, the SourceMeter is configured for the four-wire mode. This is especially important when higher currents are used because the voltage drop across the test leads may be large compared to the voltage drop across the contact. To prevent transients, always turn the source off while switching contacts in and out of the test fixture. A resistor, such as 100 Ω , can be placed directly across the current source output terminals to reduce transients still further.

The current-reversal method can be used to minimize thermoelectric voltage offsets. The Model 2182A's Delta Mode feature and the SourceMeter instrument make it possible to implement this technique automatically. In

FIGURE 4-43: Using a Nanovoltmeter and Current Source to Measure Contact Resistance



this mode, the Model 2182A automatically triggers the current source to alternate the polarity, then triggers a reading at each polarity. Then, the Model 2182A displays the “compensated” voltage value:

$$\Delta V = \frac{V_1 - V_2}{2}$$

The contact resistance may be calculated by:

$$R_{\text{contact}} = \frac{\Delta V}{I}$$

where I = absolute value of test current.

4.7.2 Superconductor Resistance Measurements

Overview

At extremely low temperatures, some metals and alloys lose their resistance to electrical current and become superconductive. A superconductor’s transition temperature and critical current density are two commonly measured parameters. The superconducting transition temperature is the point at which a material’s resistance changes from a finite value to zero. The critical current density is the maximum current density a material can carry under specific temperature and magnetic field conditions before it becomes resistive. The higher these two parameters are, the better the superconductor is. Determining these two parameters requires measuring very small resistances, so a nanovoltmeter and a programmable current source are essential for precision measurements.

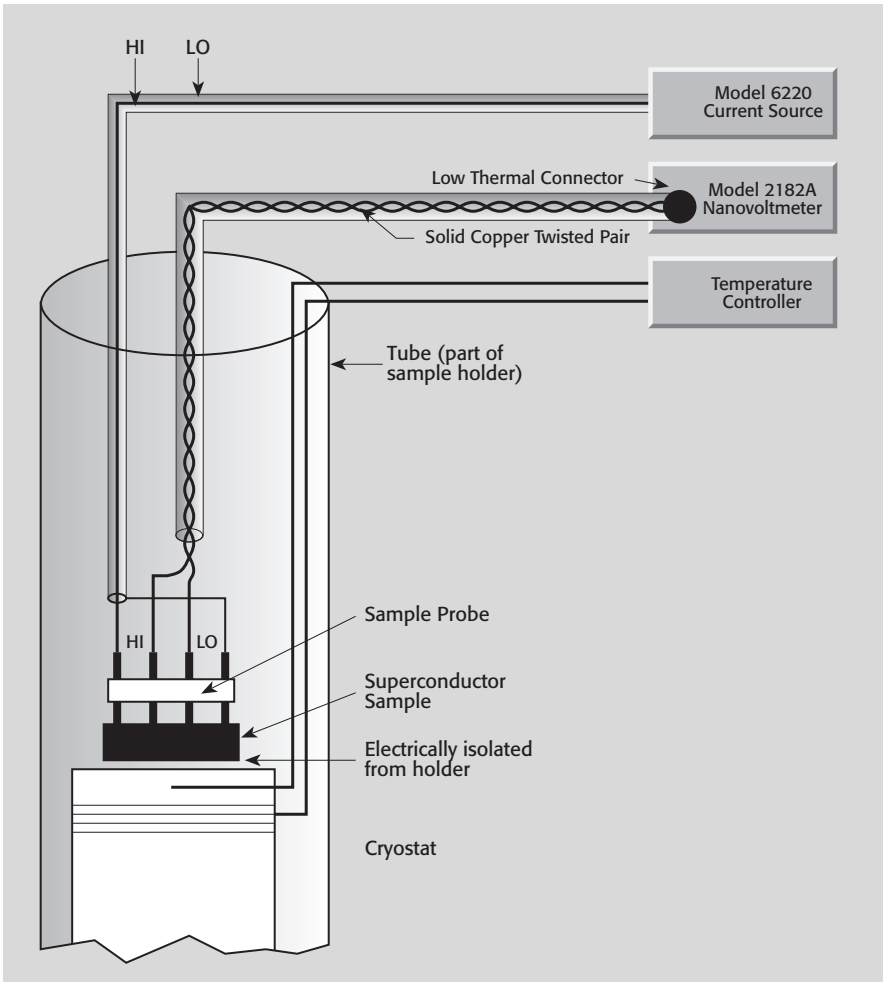
Test Description

Figure 4-44 shows a basic superconductor resistance measurement test system using the combination of a Model 2182A Nanovoltmeter and a Model 6220 Current Source for measuring the resistance. The voltage leads should be made of a material with a low Seebeck coefficient with respect to the

sample. The sensitivity of the Model 2182A Nanovoltmeter is crucial to obtaining precision measurements because the application demands the ability to measure extremely low voltages. If the application requires pico-volt resolution, the Model 1801 Nanovolt Preamplifier with the Model 2001 or 2002 DMM can be used for even greater sensitivity.

For transition temperature measurements, the current source must be kept below the critical current of the sample. If the current becomes too high, the power dissipated may damage the sample and the cryostat. For critical current measurements, however, the current source must be able to

FIGURE 4-44: Superconductor Resistance Test System



exceed the critical current of the sample. If that means that more than 100mA is needed (the current the Model 6220 Current Source can provide), a Model 2440 5A Current Source may be an appropriate solution. The current source should have programmable polarity, so the test can be performed using the current-reversal method.

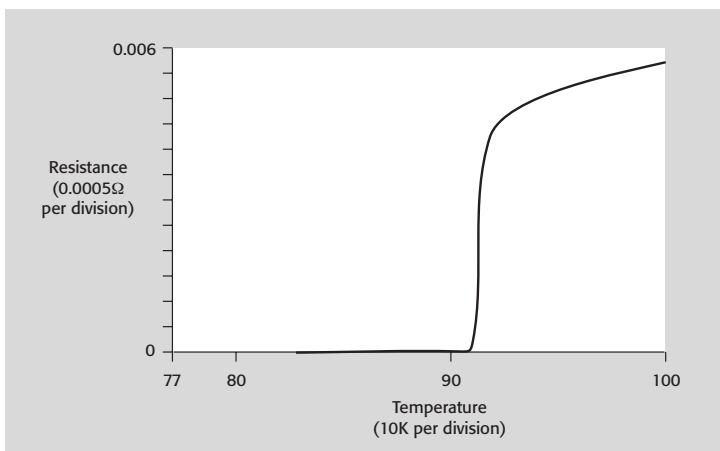
The resistance is measured using the techniques described in Sections 3.2 and 3.3 for low voltage and low resistance measurements. It is essential that a four-wire measurement be made. This technique eliminates lead resistance by forcing a current through the sample with one pair of leads while measuring the voltage drop with a second pair of leads. In addition, the Delta method is essential to eliminate the effects of changing thermoelectric EMFs, which may interfere with measurement accuracy.

The Delta method consists of measuring the voltage drop across the material with the current in one direction, then reversing the polarity of the current source and taking a second voltage measurement. Three voltage measurements are used to calculate each resistance value. The Delta method is discussed in greater detail in Section 3.3.2. In cases where hysteresis, non-linearity, or asymmetry is apparent, the current can be varied from one value to another of the same polarity. This will provide the average resistance between these two currents.

The Model 2182A Nanovoltmeter and Model 6220 Current Source work together to implement the Delta method automatically. In this mode, the Model 6220 automatically alternates the polarity, then triggers the nanovoltmeter to take a reading at each polarity. Then, the Model 6220 displays the “compensated” resistance value.

As shown in **Figure 4-45**, the resistance can be plotted vs. temperature as the sample temperature is changing.

FIGURE 4-45: Resistance vs. Temperature of Superconductor



For determining the critical current, the Model 2182A and Model 6220 Current Source can be used together to produce a precision I-V curve over a range of currents.

4.7.3 Resistivity Measurements of Conductive Materials

Overview

The resistivity of a conductor is determined by measuring the resistance of a sample of known geometry by forcing a current through the sample with one pair of leads while measuring the voltage drop with a second pair of leads. While the specific method used for determining the resistivity depends on the size and shape of the sample, all methods require a sensitive voltmeter with a current source or a micro-ohmmeter to make the measurements since the measured resistance is usually very low.

Resistivity of Bulk Materials

Figure 4-46 shows a system for testing the resistivity of a bulk material such as a metal bar or rod. The current source is connected to both ends of the sample. The voltmeter leads are placed a known distance apart. The resistivity is calculated from the cross-sectional area of the sample and the distance between the voltmeter leads:

$$\rho = \left(\frac{V}{I} \right) \left(\frac{A}{L} \right)$$

where: ρ = resistivity in ohm-cm

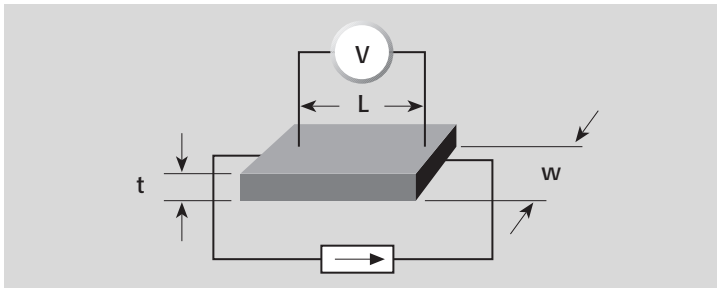
V = voltage measured by voltmeter

I = source current

A = cross sectional area of sample ($w \times t$) in cm^2

L = length of distance between voltmeter leads in cm

FIGURE 4-46: Measuring Resistivity of Metal Bar



To compensate for thermoelectric voltages, one voltage reading is taken with positive test current and another taken with negative current. The absolute values of these two readings are then averaged and used in the

equation for V/I . Most materials have a significant temperature coefficient, so be certain to maintain the sample at a known temperature.

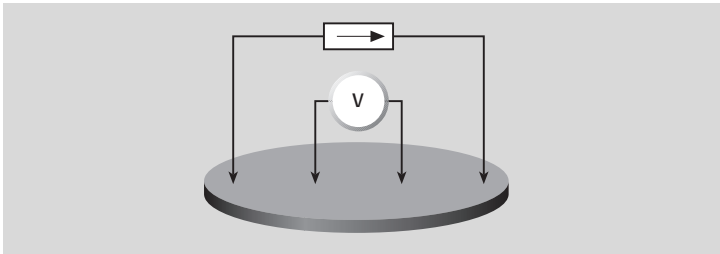
Using a Four-Point Probe

The four-point probe method is used on very thin samples such as epitaxial wafers and conductive coatings. **Figure 4-47** is a diagram of four-point collinear probe setup for resistivity measurements. The current is sourced through the two outer probes and the voltage drop is measured between the two inner probes. The surface or sheet resistivity is calculated by:

$$\sigma = \left(\frac{\pi}{\ln 2} \right) \left(\frac{V}{I} \right)$$

where: σ = sheet resistivity in ohms/square
 V = voltage measured by voltmeter
 I = source current

FIGURE 4-47: Using a Four-Point Collinear Probe on Wafer



Note that the units for sheet resistivity are expressed as ohms per square in order to distinguish this number from the measured resistance (V/I). Correction factors to the resistivity calculation may be required for extremely thin or thick samples.

If the thickness of the sample is known, the bulk or volume resistivity can be calculated from

$$\rho = \left(\frac{\pi}{\ln 2} \right) \left(\frac{V}{I} \right) t$$

where: ρ = volume resistivity in ohm-cm
 t = thickness in centimeters

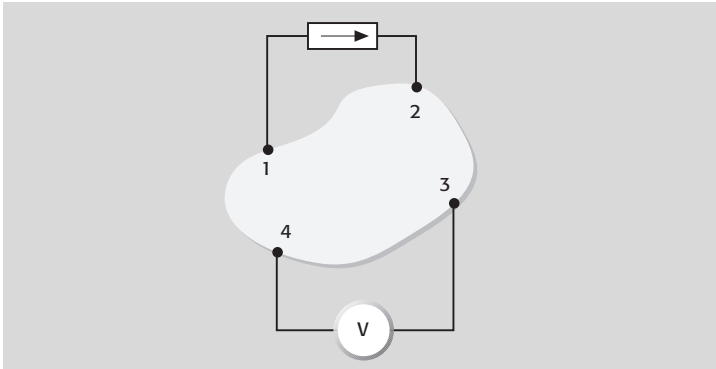
Further information on four-point probe measurements can be found in the ASTM standard F84.

van der Pauw Method

Although van der Pauw resistivity measurements are used primarily in the semiconductor industry, they have other applications, such as determining the resistivity of superconductors or foil. The van der Pauw method is used

on samples that are flat, homogeneous in thickness, and arbitrarily shaped, and that do not contain any isolated holes. As shown in **Figure 4-48**, the contacts should be small and placed on the periphery of the sample.

FIGURE 4-48: van der Pauw Connections



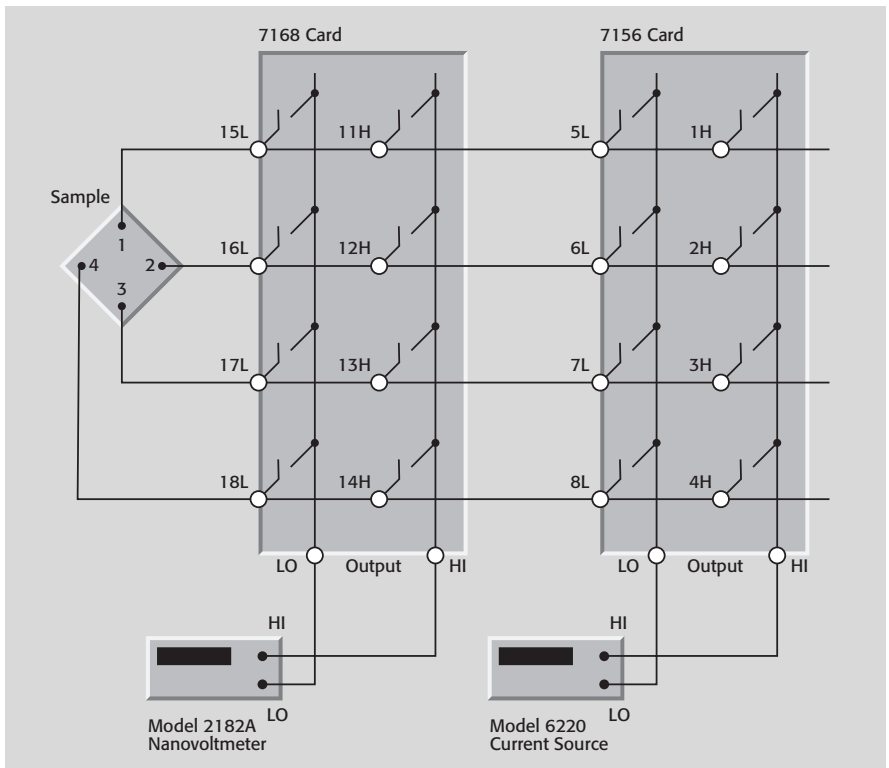
Eight measurements are made around the sample. These readings are combined mathematically to determine the average resistivity of the sample. The formula for determining the resistivity is given in Section 4.4.3. Further information on van der Pauw measurements can be found in the ASTM method F76.

Figure 4-49 shows a complete system that can be used to determine the resistivity of a conductive sample using the van der Pauw method. The system includes a Model 6220 Current Source to supply the current through the sample and a Model 2182A Nanovoltmeter to measure the resulting voltage drop. A switching matrix using a Model 7168 Nanovolt Card and a Model 7156 General Purpose Card can be constructed to switch the voltmeter and current source among the four sample terminals. The cards must be wired as illustrated in the diagram. Connections from the Model 7168 card to the sample must be made with untinned copper wire to minimize thermoelectric EMFs. These connections from the 7168 must then be extended to the Model 7156 card. The Model 7001 Scanner Mainframe controls the scanner cards.

To source current between terminals 3 and 4, close channels 7L and 4H. Measure the resulting voltage drop between terminals 1 and 2 by closing channels 15L and 12H.

If the range of sample resistivities to be measured is wide, the Model 7065 Hall Effect Card can be used in place of the Model 7168 and 7156 scanner cards. The Model 7065 is discussed in detail in Section 4.4.3 and in the Model 7065's manual.

FIGURE 4-49: van der Pauw Connections Using 7168 Card and 2182A Nanovoltmeter



SECTION 5

Low Level
Instrument
Selection Guide

5.1 Introduction

Choosing a specific low level instrument for a given application depends on a variety of factors, including:

- Functions (voltage, current, resistance, charge)
- Ranges and sensitivity
- Special features required (battery operation, floating operation, etc.)
- Convenience features (IEEE-488 interfaceability, auto-ranging, data storage, etc.)
- Price
- Compatibility with other equipment in the test setup (analog output, overload protection, external triggers, etc.)

This section provides an overview of low level instruments available from Keithley. Consult Keithley's Test and Measurement Products Catalog for further details on any of the products covered in this book (and many other products not listed).

5.2 Instrument and Accessory Selector Guides

Figure 5-1 is a function/range comparison chart for Keithley's low level instrumentation. **Tables 5-1** through **5-9** summarize the capabilities of these instruments and the various accessories designed for use with them.

FIGURE 5-1: Low Level Instrument Function/Range Selection Chart

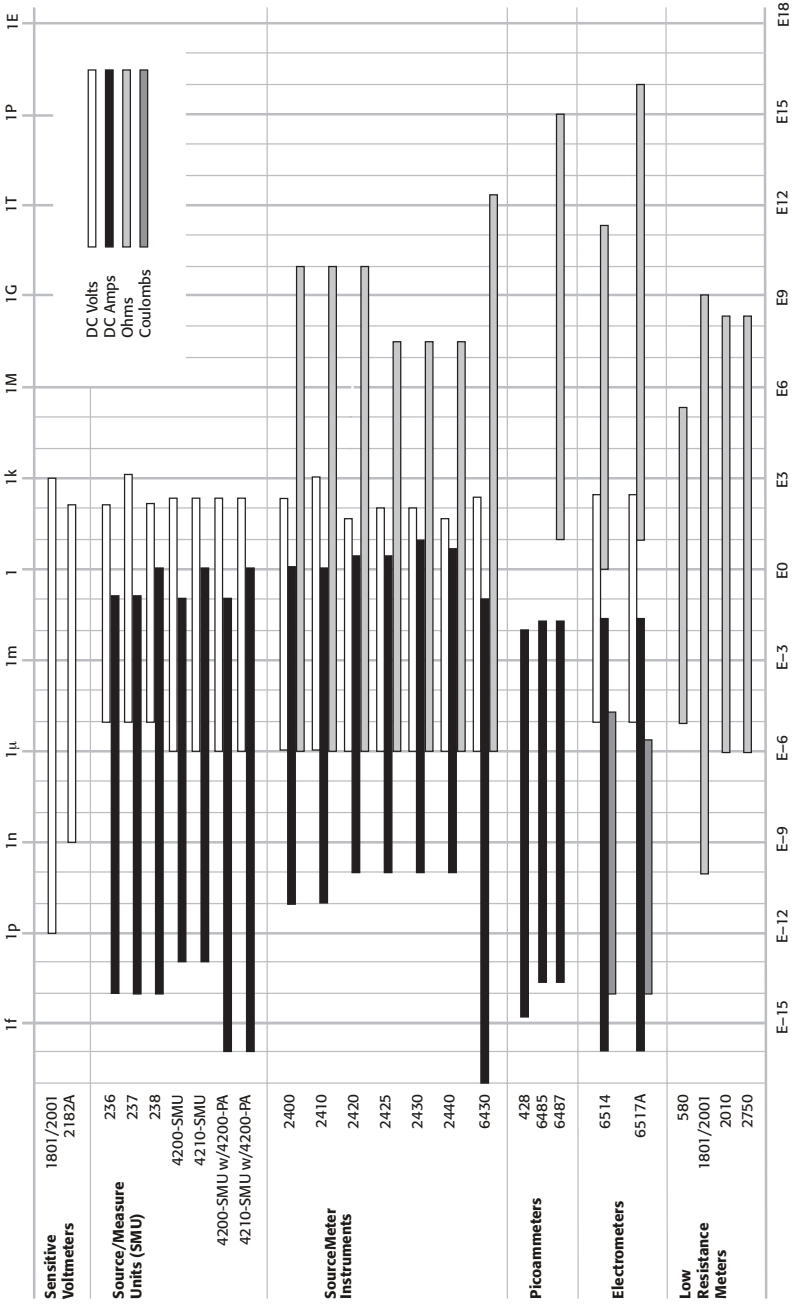


TABLE 5-1a: Low Current/High Resistance Instruments

Current Amplifier		Current Sources		Picoammeters	
MODEL	428	6220	6221	6485	6487
CURRENT					
From	1.2 fA ¹	100 fA DC	100 fA DC (1 pA AC)	20 fA ¹	20 fA ¹
To	10 mA	100 mA DC	100 mA DC (100 mA AC)	20 mA	20 mA
RESISTANCE⁴					
From ⁵					10 Ω
To ⁶					1 PΩ
Input Connection	BNC	Output connections: 3 Slot Triax.	Output connections: 3 Slot Triax	BNC	3 Slot Triax
FEATURES	2 μs rise time. 10 ⁻¹⁴ V/A gain.	10 ¹⁴ Ω output impedance. 65000-point source memory. RS-232, GPIB, Trigger Link, and digital I/O.	10 ¹⁴ Ω output impedance. 65000-point source memory. RS-232, GPIB, Trigger Link, Ethernet, and digital I/O interfaces.	5½ digits. Autorangeing. 1000 rdg/s.	5½ digits. Built-in 500V source. Alternating voltage method for HI-R sweeps.
CE	Yes			Yes	Yes

1. Includes noise.
 2. Digital resolution limit. Noise may have to be added.
 3. PΩ (Picoohms) = 10¹⁵Ω.
 4. Resistance is measured with the 236, 237, and 238 using Source V/Measure I or Source I/Measure V, but not directly displayed.
 5. Lowest resistance measurable with better than 1% accuracy.
 6. Highest resistance measurable with better than 10% accuracy.

TABLE 5-1a: Low Current/High Resistance Instruments (continued)

		Electrometers			Source-Measure Units		
MODEL	6514	6517A	6430	236	237	238	
CURRENT							
From ¹	<1 fA	<1 fA	400 aA	30 fA	30 fA	30 fA	
To	20 mA	20 mA	100 mA	100 mA	100 mA	1 A	
VOLTAGE							
From ²	10 μ V	10 μ V	10 μ V	10 μ V	10 μ V	10 μ V	
To	200 V	200 V	200 V	110 V	1100 V	110 V	
RESISTANCE⁴							
From ⁵	10 Ω	100 Ω	100 $\mu\Omega$	100 $\mu\Omega$	100 $\mu\Omega$	50 $\mu\Omega$	
To ⁶	200 G Ω	10 P Ω ³	10 P Ω ³	0.1 P Ω ³	1 P Ω ³	0.1 P Ω ³	
CHARGE							
From ²	10 fC	10 fC					
To	20 μ C	2 μ C					
Input Connection	3 Slot Triax	3 Slot Triax	3 Slot Triax	3 Slot Triax	3 Slot Triax	3 Slot Triax	
FEATURES	5½ digits. Replaces Models 6512, 617-HIQ Built-in \pm 1kV source. Temperature, RH measurements. Alternating polarity method for HI-R. Plug-in switch cards available.						
	Source/Meter with Remote Pre-Amp to minimize cable noise.			Source/measure capability. High speed. 5 digits.			
CE	Yes	Yes	Yes	Yes	Yes	Yes	

1. Includes noise.
 2. Digital resolution limit. Noise may have to be added.
 3. P Ω (Picoohms) = $10^{15}\Omega$.
 4. Resistance is measured with the 236, 237, and 238 using Source V/Measure I or Source I/Measure V but not directly displayed.
 5. Lowest resistance measurable with better than 1% accuracy.
 6. Highest resistance measurable with better than 10% accuracy.

Table 5-1b: Source-Measure Instrumentation

	2400		2410		2420		2425		2430		2440		2450	
MODEL	2400-C		2410-C		2420-C		2425-C		2430-C		2440-C		2450-C	
Description	General Purpose	High Voltage	3 A	High Power	Pulse	5 A	Ultra-Low Current	Multi-Channel I-V Characterization	Multi-Channel I-V Characterization	Multi-Channel I-V Production Test	Multi-Channel I-V Production Test	Multi-Channel I-V Production Test	Multi-Channel I-V Production Test	Multi-Channel I-V Production Test
Current Source/Sink	•	•	•	•	•	•	•	•	•	•	•	•	•	•
Voltage Source/Sink	•	•	•	•	•	•	•	•	•	•	•	•	•	•
POWER OUTPUT														
	22 W	22 W	66 W	110W	1100 W*	55 W	2 W	20 W (4210) or 2 W (4200)	20 W (4210) or 2 W (4200)	20 W (4210) or 2 W (4200)	20 W (4210) or 2 W (4200)	20 W (4210) or 2 W (4200)	20 W (4210) or 2 W (4200)	20 W (4210) or 2 W (4200)
CURRENT CAPABILITY														
Min.	±10 pA	±10 pA	±100 pA	±100 pA	±100 pA	±100 pA	±10 aA**	±1 aA w/preamp	±1 aA w/preamp	±1 aA w/preamp	±1 aA w/preamp	±1 aA w/preamp	±1 aA w/preamp	±1 aA w/preamp
Max	±1.05 A	±1.05 A	±3.15 A	±3.15 A	±10.5 A*	±5.25 A	±105 mA	±1 A w/4210-SMU	±1 A w/4210-SMU	±1 A w/4210-SMU	±1 A w/4210-SMU	±1 A w/4210-SMU	±1 A w/4210-SMU	±1 A w/4210-SMU
VOLTAGE CAPABILITY														
Min.	±1 μ V	±1 μ V	±1 μ V	±1 μ V	±1 μ V	±1 μ V	±1 μ V	±1 μ V	±1 μ V	±1 μ V	±1 μ V	±1 μ V	±1 μ V	±1 μ V
Max.	±21/±210 V	±1100 V	±63 V	±105 V	±105 V	±42 V	±210 V	±210 V	±210 V	±210 V	±210 V	±210 V	±210 V	±210 V
OHMS RANGE														
	<0.2 Ω to >200 M Ω	<0.2 Ω to >200 M Ω	<0.2 Ω to >200 M Ω	<0.2 Ω to >200 M Ω	<0.2 Ω to >200 M Ω	<2.0 Ω to >200 M Ω	<2.0 Ω to >20 T Ω	<2.0 Ω to >20 T Ω	<2.0 Ω to >20 T Ω	<2.0 Ω to >20 T Ω	<2.0 Ω to >20 T Ω	<2.0 Ω to >20 T Ω	<2.0 Ω to >20 T Ω	<2.0 Ω to >20 T Ω
BASIC ACCURACY														
I	0.035%	0.035%	0.035%	0.035%	0.035%	0.035%	0.035%	0.05 %***	0.05 %***	0.05 %***	0.05 %***	0.05 %***	0.05 %***	0.05 %***
V	0.015%	0.015%	0.015%	0.015%	0.015%	0.015%	0.015%	0.012%***	0.012%***	0.012%***	0.012%***	0.012%***	0.012%***	0.012%***
Ω	0.06 %	0.07 %	0.06 %	0.06 %	0.06 %	0.06 %	0.06 %	N/A	N/A	N/A	N/A	N/A	N/A	N/A

* In pulse mode. ** 1aA = 1x10⁻¹⁸A. *** Approximate average. **** Scalable from 4 to 36 channels in groups of 4. Maximum of 32 high power channels or 36 medium power channels.

Table 5-1c: Low Voltage and Low Resistance Measurement Instruments

	1801 with			
MODEL	580	2001 or 2002	2182A	2002
Voltage From	—	1 pV 2 mV	1 nV 100 V	10 nV 1000 V
To	—	0.12 nV rms	150 nV rms	100 nV rms
Input Voltage Noise	—	0.12 nV rms	1.2 nV rms	100 nV rms
Resistance From ¹	200 $\mu\Omega$	20 $\mu\Omega$	10 n Ω ³	0.9 m Ω
To ²	200 k Ω	200 Ω (1 G Ω) ⁵	100 M Ω ³ 1 G Ω	100 M Ω 100 M Ω
Thermocouple Temperature From	—	-200°C 1820°C	-200°C 1820°C	-200°C 1372°C
To	—	—	—	—
Input Connection	Banana jacks (4) Front inputs only	Copper nuts	Special low thermoelectric w/copper pins	Banana jacks (4)
Special Features	Dry circuit. Offset compensation. Battery (opt.)	Multi-function. Temperature. IEEE-488. DMM.	DELTA mode. Analog output. IEEE-488. RS-232.	8½ digits. DMM. IEEE-488. Plug-in scanner cards.
				Dry circuit. Offset compensation. DMM. IEEE-488, RS-232. Plug-in scanner cards. Digital I/O. Plug-in modules.
CE	Yes ⁴	—	Yes	Yes

1. Lowest resistance measurable with better than 10% accuracy.
 2. Highest resistance measurable with better than 1% accuracy.
 3. Delta mode, offset voltage compensation with external current source. 10n Ω if used with 5A test current with Model 2440.
 4. Excludes IEEE-488 option.
 5. 1 G Ω if Model 1801 is bypassed using Model 2002, 100M Ω if bypassed and using Model 2001.

Table 5-2: High Speed Power Supplies

Model	2302	2303	2303-PJ	2304A	2306	2306-PJ	2306-VS	248
Number of Channels	1	1	1	1	2	2	2	1
Power Output	Function of V; optimized for maximum current at low V	45 W	45 W	100 W	Function of V and power consumed by other channel; optimized for maximum current at low V	Function of V and power consumed by other channel; optimized for maximum current at low V	Function of V and power consumed by other channel; optimized for maximum current at low V	25 W
Voltage Output	0–15 V	0–15 V	0–15 V	0–20 V	0–15 V	0–15 V	0–15 V	0–±5000 V
Maximum Continuous Current Output	5 A @ 4 V	5 A @ 9 V	5 A @ 9 V	5 A @ 20 V	5 A @ 4 V	5 A @ 4 V	5 A @ 4 V	5 mA
Variable Resistance Output	0–1 Ω 10 mΩ resolution				0–1 Ω 10 mΩ resolution (in channel 1)	0–1 Ω 10 mΩ resolution (in channel 1)	0–1 Ω 10 mΩ resolution (in channel 1)	
Current Sink Capacity	3 A	2 A	2 A	3 A	3 A	3 A	3 A	1 μA
DC Current Measurement Sensitivity	100 nA	100 nA	10 μA	100 nA	100 nA	10 μA (Ch. 1) 100 nA (Ch. 2)	100 nA	
Dynamic Current Measurement	5 A range: 33 μs–833 ms integration times	5 A range: 33 μs–833 ms integration times	500 mA and 5 A ranges: 33 μs–833 ms integration times	5 A range: 33 μs–833 ms integration times	5 A range: 33 μs–833 ms integration times	500 mA and 5 A ranges: 33 μs–833 ms integration times	5 A range: 33 μs–833 ms integration times	
External Triggering for Voltage Outputs and Current Measurement	No	No	No	No	No	No	Yes	No

Table 5-2: High Speed Power Supplies (cont'd)

Model	2302	2303	2303-PJ	2304A	2306	2306-PJ	2306-VS	248
Accuracy								
V	0.05%	0.05%	0.05%	0.05%	0.05%	0.05%	0.05%	0.01%
I	0.2%	0.2%	0.2%	0.2%	0.2%	0.2%	0.2%	0.01%
Features:								
Programming	IEEE-488 included	IEEE-488 included	IEEE-488 included	IEEE-488 included	IEEE-488 included	IEEE-488 included	IEEE-488 included	IEEE-488 included
Open Sense Lead Detection	Yes				Yes	Yes	Yes	No
DVM	Yes	Yes	Yes	Yes	Yes, 1 per channel	Yes, 1 per channel	Yes, 1 per channel	No
Relay Control Port	4	1	1	2	4	4	No	No
Remote Display Module	Yes	Yes	Yes	Yes	Yes	Yes	No	No
CE	Yes	Yes	Yes	Yes	Yes	Yes	Yes	Yes

Table 5-3: Connectors, Adapters, and Tools

MODEL	NAME	USE WITH:
213-CON	Analog Output Connector	213
237-BAN-3A	Triax to Banana Plug	7072, 7072-HV 2001, DMMS
237-BNC-TRX	3-Lug Female Triax to Male BNC Connector with guard disconnected	237, 6517A, 7078-TRX cables
237-TRX-BAR	3-Lug Triax Female to Female (Barrel) Adapter	Triax Interconnect
237-TRX-NG	Triax Male-Female Adapter with guard disconnected	236, 237, 238, 7072, 7072-HV
237-TRX-T	3-Slot Male to Dual 3-Lug Female Triax Tee Adapter	7072, 7072-HV, 7078-TRX cables
237-TRX-TBC	3-Lug Female Triax Bulkhead Connector	7072, 7072-HV, 7078-TRX cables
2182-325A	Silver Solder for use with 2182-KIT	2182
2182-KIT	Low-Thermal Connector with Strain Relief (LEMO)	2182, SC-93
2188	Low-Thermal Calibration Shorting Plug	2182
2499-DIGIO	Digital I/O Expansion Module	SourceMeter Instruments
2500INT-SMA	SMA Connector	2500INT Integrating Sphere
2500INT-FC/PC	FP/PC Connector Connector	2500INT Integrating Sphere
2500INT-FC/APC	FP/APC Connector	2500INT Integrating Sphere
4851	BNC Shorting Plug	230-1, 7077
5904	20nF/20mS Adapter (not calibrated to mainframe)	590
5951	Remote Input Coupler	Model 82-WIN
7001-PNL	Metal Plate	7001
7011-KIT-R	Female 96-Pin Connector Kit	7011-C, 7012-C, 7013-C, 7015-C, 7018-C
7011-MTR	Bulkhead Mount 96-Pin Male Connector	7011-KIT-R, 7011-C, 7012-C, 7013-C, 7015-C, 7018-C
7011-ST	Extra Screw Terminal Board	7011-S
7012-ST	Extra Screw Terminal Board	7012-S
7013-ST	Extra Screw Terminal Board	7013-S
7014-ST	Extra Screw Terminal Board	7014
7015-ST	Extra Screw Terminal Board	7015-S
7018-ST	Extra Screw Terminal Board	7018-S
7074-CIT	Contact Extraction Tool	7074-KIT, 7074-MTR, 7152-KIT, 7152-MTR
7074-HCT	Hand Crimping Tool	7074-KIT, 7074-MTR, 7152-KIT, 7152-MTR
7074-KIT	75-Pin Mass Terminated Plug w/Contacts	7074-D, 7074-MTR
7074-MTR	75-Pin Mass Terminated Receptacle w/Contacts	7074-D, 7074-KIT, 7074-MTC
7074-RTC	Relay Test Shorting Connector	7074-D
7078-CIT	Contact Insertion/Extraction Tool	7078-KIT, 7078-MTR, 7152-KIT, 7152-MTR, 7169-KIT, 7169-MTR
7078-HCT	Hand Crimping Tool for 7078-KIT, 7169-KIT	7078-KIT, 7169-KIT
7078-KIT	Connector Kit	7071, 7071-L4, 7074-D, 7078-MTR
7078-MTR	Mass Terminated Receptacle, Bulkhead Mount	7078-KIT, 7078-MTC
7078-TRX-BNC	3-Slot Male Triax to BNC Adapter	486, 487, 4801, 6514, 6517A, 7072, 7072-HV
7078-TRX-GND	3-Slot Male Triax to BNC Adapter (guard removed)	236, 237, 238, 4801, 6517A, 7051, 7072, 7072-HV

Table 5-3: Connectors, Adapters, and Tools (cont'd)

MODEL	NAME	USE WITH:
7078-TRX-TBC	3-Lug Female Triax Bulkhead Connector w/Cap	7078-TRX cables
7152-HCT	Hand Gimp Tool for 7152-KIT, 7152-MTR	7152-KIT, 7152-MTR
7152-KIT	6-Position M-Series Plug w/Contacts	7152, 7152-MTR
7152-MTR	6-Position M-Series Receptacle w/Contacts	7152, 7152-KIT, 7152-MTC-2, 7152-MTC-10
7164-KIT	50-Pin Mass Terminated Connector	7164-D, 7164-M, 7164-MTR
7164-MTR	50-Pin Mass Terminated Bulkhead Mount Receptacle	7164-D, 7164-M, 7164-MTC-10
7169-KIT	20-Pin Mass Terminated Connector	7169A
7169-MTR	Mass Terminated Bulkhead Mount Receptacle	7169A, 7169-MTC-3
7703-306A	DB50 Male Connector Kit	7701, 7703, 7705, 7709
7709-308A	DB25 Male Connector Kit	7701, 7707, 7709
7712-SMA-N	Female SMA to Male N-Type Adapter	7711, 7712
7755	50Ω FeedThrough Terminator	RG 58 Cable, 776
7788	50-Pin D Subconnector Kit	7703, 7705, 77XX, modules with D sub connectors
7789	50-Pin Male and 25-Pin Male D-Shell Connector Kit	7701, 7709
7790	50-Pin Male, 50-Pin Female, and 25-Pin Male IDC D-Shell Connector Kit	7701, 7703, 7705, 7707, 7709
8610	Low Thermal Shorting Plug	2000, 2001, 2002, 2010
8680	RTD Probe Adapter	2001, 2002, 2010
BG-18	Dual Banana to BNC Coaxial Adapter	230, 20XX Series, 24XX Series, 2700, 2750
CAP-18	Protective Shield/Cap	BNC, 2-lug triax connectors
CAP-31	Protective Shield/Cap	3-lug triax connectors
CS-400	DB25 Male Solder Cup	CA-126-1 cable, 213
CS-458	Interlock Connector Kit	6517-HIC-3
CS-565	BNC Barrel	BNC interconnect
CS-631	3-Lug Male Triax Cable Mount Connector	SC-22 Cable
CS-680	3-Lug Female Bulkhead Connector	Fixtures, 6487, 6517A, etc.
CS-846	Screw Terminal Test Lead Connector	230X, 2510, 2510-AT
CS-970	High Voltage Bulkhead Connector	248, 248-SHV Cable

Table 5-4: Cables

MODEL	DESCRIPTION	TYPE	TERMINATIONS		LENGTH		USE WITH:
			FROM	TO	m	ft	
236-11C-3	Safety Interlock	Shielded twisted pair	3-pin round	3-pin round	3	10	236, 237, 238, 8007, 8008
237-11G-2	Low Noise Input	Triax	3-slot male triax	Alligator clips (3)	2	6.6	236, 237, 238, 6514, 6517A
248-MHV	High Voltage	Coax	SHV female	MHV male	3	10	248
248-SHV	High Voltage	Coax	SHV female	SHV female	3	10	248, CS-970
2000-MTC-2	Cable Assembly	Shielded twisted pair	DB44 female	Unterminated	2	6.6	2000-20
2000-MTCD-2	Cable Assembly	Shielded multiple conductors	DB44 female	DB50 male	2	6.6	2000-SCAN-20
2107-4	Input Cable	Shielded twisted pair	LEMO	Copper spade lugs (4)	1.2	4	2182
2107-30	Input Cable	Shielded twisted pair	LEMO	Copper spade lugs (4)	9.1	30	2182
4801	Low Noise Input	Coax	Male BNC	Male BNC	1.2	4	82, 590, 595, 6485, 7158
4802-10	Low Noise Input	Coax	Male BNC	Unterminated	3	10	82, 590, 595, 6485, 7158
4803	Low Noise Cable Kit	Coax	Male BNC (10)	Female BNC (5)	15.2	50	82, 590, 595, 6485, 7158
6011	Input Leads	Triax	2-slot triax	Alligator clips (3)	1.5	5	263, 7058
6011-10	Input Leads	Triax	2-slot triax	Alligator clips (3)	3	10	263, 7058
6517-11C-3	4-pin Interlock Cable	Shielded	4-pin DIN	4-pin DIN	1	3.3	6517A, 8009
7009-5	Shielded RS-232	Shielded	Male DB-9	Female DB-9	1.5	5	All RS-232 capable instruments
7011-MTC-1	Mass Terminated Assembly	Twisted pair (45)	96-pin female	96-pin female	1	3.3	7011-C, 7012-C, 7013-C, 7015-C, 7018-C, 7021, 7037
7011-MTC-2	Mass Terminated Assembly	Twisted pair (45)	96-pin female	96-pin female	2	6.6	7011-C, 7012-C, 7013-C, 7015-C, 7018-C, 7021, 7037
7019C-MTC-1	Kelvin Extender Cable	Shielded twisted pair	Card connector	DUT cables (6)	2	6.6	7019-C
7019C-MTC2	Kelvin Instrument Cable	Shielded twisted pair	Card connector	Shielded banana plug cables (6)	2	6.6	7019-C, 2400 Series
7020-MTC-2	Mass Terminated Assembly	Twisted pair (45)	96-pin female	96-pin female	2	6.6	7020
7024-3	Low Noise	Triax	2-slot triax	2-slot triax	0.9	3	263, 7058
7024-10	Low Noise	Triax	2-slot triax	2-slot triax	3	10	263, 7058
7025-10	Low Noise Input	Triax	2-slot triax	Unterminated	3	10	263, 7058
7035-MTC-2	Mass Terminated Assembly	Twisted pair (45)	96-pin female	96-pin female	2	6.6	7035
7036-MTC-2	Mass Terminated Assembly	Twisted pair (45)	96-pin female	96-pin female	2	6.6	7036
7051-*	BNC Interconnect	Coax	BNC	BNC			590, 776, 2015, 2016, 3321, 3322, 7062, 7063
7074-MTC-20	Mass Terminated Assembly	Twisted pair (24)	75-pin connector	75-pin connector	6.1	20	7074-D
7075-MTC	Mass Terminated Assembly	Round ribbon	25-pin D connector	25-pin D connector	3	10	7075 bank/column, 7076 row/column
7076-CMTC	Mass Terminated Assembly	Shielded	25-pin D connector	25-pin D connector	3	10	7075 bank, 7076 column
7076-RMTC	Mass Terminated Assembly	Shielded	25-pin D connector	25-pin D connector	3	10	7075 row, 7076 row
7078-CSHP	8-Cable Set (includes 4 BNC-to-triax adapters)	Triax (4) Coax (4)	3-slot triax (4) BNC (4)	3-slot triax (4) BNC (4)	3	10	7072 to HP-4145
7078-DIN	707 Master/Slave	Twisted pair (9)	8-pin DIN	8-pin DIN	1.8	6	707A
7078-MTC-5	Mass Terminated Assembly	Twisted pair (12)	38-pin connector	38-pin connector	1.5	5	7071, 7071-4, 7074-D

Table 5-4: Cables (cont'd)

MODEL	DESCRIPTION	TYPE	TERMINATIONS		LENGTH		USE WITH:
			FROM	TO	m	ft	
7078-MTC-20	Mass Terminated Assembly	Twisted pair (12)	38-pin connector	38-pin connector	6.1	20	7071, 7071-4, 7074-D
7078-TRX-1	Low Noise	Triax	3-slot triax	3-slot triax	0.3	1	236, 237, 238, 6487, 6514, 6517A, 7072
7078-TRX-3	Low Noise	Triax	3-slot triax	3-slot triax	0.9	3	236, 237, 238, 6487, 6514, 6517A, 7072
7078-TRX-5	Low Noise	Triax	3-slot triax	3-slot triax	1.5	5	236, 237, 238, 6487, 6514, 6517A, 7072
7078-TRX-10	Low Noise	Triax	3-slot triax	3-slot triax	3	10	236, 237, 238, 6487, 6514, 6517A, 7072
7078-TRX-12	Low Noise	Triax	3-slot triax	3-slot triax	4	12	236, 237, 238, 6487, 6514, 6517A, 7072
7078-TRX-20	Low Noise	Triax	3-slot triax	3-slot triax	6.1	20	236, 237, 238, 6487, 6514, 6517A, 7072
7078-TRX-6IN	Low Noise	Triax	3-slot male triax	3-slot triax	0.15	0.5	6430
7152-MTC-2	Low Noise Matrix Expansion	Triax (5)	6-pin M-series coax	6-pin M-series coax	0.6	2	7152
7152-MTC-10	Low Noise Matrix Expansion	Triax (5)	6-pin M-series coax	6-pin M-series coax	3	10	7152
7152-TRX-10	Low Noise M-Series to Triax	Triax (5)	M-series connector	3-slot triax (5)	3	10	7152, 8006
7153-TRX	Low Noise M-Series to Triax	Triax (5)	M-series connector	3-slot triax (5)	2	6	7153
7156-MTC-10	Mass Terminated Assembly	Ribbon	37-pin connector	37-pin connector	3	10	7156-D, 7156-M
7164-MTC-10	Mass Terminated Assembly	Ribbon	50-pin connector	50-pin connector	3	10	7164-D, 7164-M, 7164-MTR
7169-MTC-3	Mass Terminated Assembly	Twisted pair	20-pin connector	20-pin connector	3	10	7169A
7173-50-CSEP	4-Cable Set	Coax	SMB female	BNC male	0.6	2	7173-50
7705-MTC-2	Mass Terminated Assembly	Twisted pair (25)	DSUB male	DSUB female	2	6.6	7703, 7705, 7707, 7709
7711-BNC-SMA	5 SMA to BNC Cables	Coax	SMA Male	BNC Female	0.15	0.5	7711
7754-3	BNC	Coax	BNC	Alligator clips	0.9	3	776
8007-GND-3	Safety Ground Wire	Single wire	Grimp lug	Grimp lug	3	10	8007
8007-MTC-3	Mass Terminated Assembly	Triax	M-series connector	3-slot triax (12)	3	10	8007, 7072
8542-301	LIV Cable	Multiple conductor	DB9 female	Multiple terminations: Triax (2500); 2 dual bananas (24XX); GND wire	1.8	6	2500, 243XX, LIV
8607	1KV Test Cables	Single wire (2)	Safety banana	Safety banana	1	3.3	2410, 6430, 6514, 6517A
CA-18-1	Shielded	Coax	Dual banana plug	Dual banana plug	1.2	4	Binding post inputs
CA-126-1	Digital I/O	Shielded	DB25 male	DB25 female	1.5	5	213
CA-321-1	Temperature Control Cable	Multiple conductor	DB15 female	8-position Phoenix (CS-846 equivalent)	1.8	6	2510, 8542, 8544
CA-322-1	Dual Temperature Control Cable	Multiple conductor	DB15 female	Y cable to two 8-position Phoenix (CS-846)	1.8	6	2510, 8542, 8544
S46-SMA-0.5	SMA Cable	Coax	SMA Male	SMA Male	0.15	0.5	7711, 7712, S46
S46-SMA-1	SMA Cable	Coax	SMA Male	SMA Male	0.30	1.0	7711, 7712, S46
SC-9	Low Noise	Coax	Unterminated	Unterminated			4805
SC-22	Low Noise	Triax	Unterminated	Unterminated			CS-631
SC-93	Low Thermal	Shielded	Unterminated	Unterminated			1801, 2182-KIT
SC-182	Low Inductance	Coax	Unterminated	Unterminated			2302, 2303, 2303B, 2303-PJ, 2304A, 2306, 2306-PJ

Table 5-5: Test Leads and Probes

MODEL	NAME	USE WITH:
1600A	High Voltage Probe	DMMs
1651	50-Ampere Shunt	DMMs
1681	Clip-On Test Lead Set	DMMs
1751	Safety Test Leads	All DMMs, 2400 Series
1754	Safety Universal Test Lead Kit	All DMMs, 2400 Series
5804	General-Purpose, 4-Terminal Test Lead Set	580, 2400 Series, 2750, DMMs
5805	Kelvin Probes, 0.9m (3 ft)	580, 2400 Series, 2750, DMMs
5805-12	Kelvin Probes, 3.6m (12 ft)	580, 2400 Series, 2750, DMMs
5806	Kelvin Clip Leads	580, 2400 Series, 2750, DMMs
5807-7	Helical Spring Point Test Leads, 2.1m (7 ft)	580, 2400 Series, 2750, DMMs
6517-RH	Humidity Probe with Extension Cable	6517A
6517-IP	Thermocouple Bead Probe	6517A
7401	Thermocouple Wire Kit, 30m (100 ft), Type K	2001-TCSCAN, 7057A, 7700, 7706, 7708
8605	High Performance Modular Test Leads	All DMMs, 2400 Series
8606	High Performance Modular Probe Kit	All DMMs, 2400 Series
8681	Low Cost RTD	2001, 2002, 2010 DMMs (with 8680)
8693	Pt RTD General Purpose Probe	2001, 2002, 2010 DMMs (with 8680)
8695	Pt RTD Surface Probe	2001, 2002, 2010 DMMs (with 8680)
8696	Pt RTD Air/Gas Probe	2001, 2002, 2010 DMMs (with 8680)
CA-109	Test Lead Set for Output Connections	2000-SCAN, 2001-SCAN, 2001-TCSCAN

Table 5-6: Switching Cards for the Model 7001 and 7002 Switch Mainframes

	No. of Channels	Card Config.	Contact Config.	Max. Voltage	Max. Current	Max. Power	Contact Potential	Max. Offset Current	Recomm. Frequency	Connection Type	CE	Comments
HIGH DENSITY												
7011-C	40	Multiplexer	2 form A	110V	1A	60W	<1 μ V	<100pA	2MHz	Connector	Yes	Four independent 1x10 multiplexers, connection to backplane
7011-S	40	Multiplexer	2 form A	110V	1A	60W	<500nV	<100pA	2MHz	Screw term.	Yes	Four independent 1x10 multiplexers, connection to backplane
7012-C	4x10	Matrix	2 form A	110V	1A	60W	<1 μ V	<100pA	2MHz	Connector	Yes	Rows connect to analog backplane
7012-S	4x10	Matrix	2 form A	110V	1A	60W	<500nV	<100pA	2MHz	Screw term.	Yes	Rows connect to analog backplane
7013-C	20	Isolated Switch	2 form A	110V	1A	60W	<1 μ V	<100pA	10MHz	Connector	Yes	
7013-S	20	Isolated Switch	2 form A	110V	1A	60W	<500nV	<100pA	10MHz	Screw term.	Yes	
7015-C	40	Multiplexer	2 form A	175V	3-4mA	0.3VA	<5 μ V	<1nA	500kHz	Connector	Yes	Solid state switch for high reliability
7015-S	40	Multiplexer	2 form A	175V	3-4mA	0.3VA	<5 μ V	<1nA	500kHz	Screw term.	Yes	Solid state switch for high reliability
7018-C	28	Multiplexer	3 form A	110V	1A	60W	<5 μ V	<100pA	2MHz	Connector	Yes	3 pole switching
7018-S	28	Multiplexer	3 form A	110V	1A	60W	<5 μ V	<100pA	2MHz	Screw term.	Yes	3 pole switching
7035	36	Multiplexer	2 form A	60V	1A	30W	<1 μ V	<100pA	10MHz	Connector	Yes	9 independent 1x4 multiplexers
7036	40	Isolated Switch	1 form A	60V	1A	30W	<4 μ V	<100pA	10MHz	Connector	Yes	40 independent channels of 1-pole switching
7111-S	40	Multiplexer	1 form C	110V	1A	60W	<500nV	<100pA	2MHz	Screw term.	Yes	Four independent 1x10 multiplexers, connection to backplane
CONTROL												
7019-C	Dual 3x6	Matrix	1 form A	200V	1A	10W	<25 μ V	<100pA	2MHz	Connector	Yes	6-wire resistance measurements
7020	80	Digital I/O								Connector	Yes	40 inputs/40 outputs
7020-D**												
7021	30/20	Mux/ Digital I/O	2 form A	110V	1A	30W	<3 μ V	<100pA	10MHz	Connector	Yes	Dual multiplexers. Up to 30 channels, 10 digital inputs, 10 digital outputs.
7037	30/20	Isolated/ Digital I/O	1 form A	110V	1A	30W	<4 μ V	<100pA	10MHz	Connector	Yes	30 independent channels of 1-pole switching, 10 digital inputs, 10 digital outputs
7065												Hall Effect measurement buffer card

Table 5-6: Switching Cards for the Model 7001 and 7002 Switch Mainframes (cont'd)

No. of Channels	Card Config.	Contact Config.	Max. Voltage	Max. Current	Max. Power	Max. Contact Potential	Max. Offset Current	Recomm. Frequency	Connection Type	CE	Comments
7062	Double 1x5	2 isolated switches	1 pole, 5 throw	24V	50mA	0.5VA	<20 μ V	500MHz	BNC	Yes	50 Ω unterminated
7063	Double 1x5	2 isolated switches	1 pole, 5 throw	5V	50mA	0.5VA	<20 μ V	500MHz	BNC	Yes	50 Ω terminated
7016A	Double 1x4	2 isolated switches	1 pole, 4 throw	30V	500mA	10VA	<6 μ V	2GHz	SMA	Yes	Optional 50 Ω termination
7017	Double 1x4	2 isolated switches	1 pole, 4 throw	30V	1A	10VA	<2.5 μ V	800MHz	SMA	Yes	10 ϕ closures contact life.
7038	12	Three 1x4 multiplexers	1 pole, 1 of 4 tree	24V	10mA	10W @ 1.2GHz	<15 μ V	2GHz	75 Ω SMB receptacle	Yes	75 Ω unterminated
OPTICAL											
7090-4-1	1x4	Single mode fiber (SMF-28)	9/125	1290–1650	FC/APC	1 m					
7090-4-2BH	1x4	Single mode fiber (SMF-28)	9/125	1290–1650	FC/SPC	Bulkhead connectors					
7090-8-3	1x8	Single mode fiber (SMF-28)	9/125	1290–1650	FC/APC	1 m					
7090-8-4	1x8	Multimode fiber 62.5/125	780–1350	FC/SPC	1 m						

Table 5-6: Switching Cards for the Model 7001 and 7002 Switch Mainframes (cont'd)

No. of Channels	Card Config.	Contact Config.	Max. Voltage	Max. Current	Max. Power	Max. Contact Potential	Offset Current	Recomm. Frequency	Connection Type	CE	Comments
HIGH CURRENT											
7053	10	Multiplexer	2 form A	300V	5A	100VA	<1mV	1MHz	Screw term.		
HIGH VOLTAGE											
7054	10	Multiplexer	1 form A	1000V	500mA	10VA		1MHz	Screw term.	Yes	
7154	10	Multiplexer	2 form A	1100V	500mA	10VA	<3 μ V	1MHz	Screw term.	Yes	
7169A	20	Isolated switch	1 form C	500V	500mA	10VA	<30 μ V	2MHz	Connector	Yes	Position sensitive. Use with 7002 only.
LOW CURRENT											
7058	10	Multiplexer	1 form C	200V	100mA		<250 μ V	3MHz	2-lug triax	Yes	Can also be used as a voltage switch
7152	4x5	Matrix	2 form A	200V	500mA	10VA	<20 μ V	60MHz	Connector	Yes	
7153	4x5	Matrix	2 form A	1300V	500mA	10VA	<50 μ V	60MHz	Connector	Yes	High voltage
7158	10	Multiplexer	1 form C	30V	100mA		<200 μ V	1MHz	BNC	Yes	
LOW VOLTAGE											
7059	10	Multiplexer	2 form A	200V	100mA	2VA	<1 μ V	3MHz	Screw term.	Yes	
7064	20*	Multiplexer	2 form A	40V	100mA	2VA	<1 μ V	10MHz	Screw term.	Yes	
7067	10	Multiplexer	4 form A	150V	350mA	10VA	<1 μ V	1MHz	Screw term.	Yes	4 wire resistance measurements
7168	8	Multiplexer	2 form A	10V	50mA		<30nV	1kHz	Screw term.	Yes	

Table 5-6: Switching Cards for the Model 7001 and 7002 Switch Mainframes (cont'd)

No. of Channels	Card Config.	Contact Config.	Max. Voltage	Max. Current	Max. Power	Max. Contact Potential	Offset Current	Recomm. Frequency	Connection Type	CE	Comments	
7014	39	Multiplexer	2 form A	110V	1A	60VA	<1 μ V	<100pA	2MHz	Screw term.	Yes	Built-in cold junction ref
7057A	9	Multiplexer	2 form A	42V	100mA	2VA	<1 μ V			Screw term.	Yes	Built-in cold junction ref: -1mV/ $^{\circ}$ C, (0mV at +30 $^{\circ}$ C)
GENERAL PURPOSE Can also be used with Models 7055 and 706												
7052	4x5	Matrix	3 form A	200V	200mA	10VA	<5 μ V	<100pA	3MHz	Screw term.	Yes	Switched High, Low, Guard
7056	10/20*	Multiplexer	2 form A	150V	250mA	10VA	<100 μ V		10MHz	Screw term.	Yes	10 channel 2-pole, 20 channel 1-pole
7066	10	Isolated switch	2 form A	350V	2A	125VA	<30 μ V		3MHz	Screw term.	Yes	
7156-D	10/20*	Multiplexer	2 form A	150V	500mA	10VA	<100 μ V		3MHz	Connector	Yes	
7164-D	20*	Multiplexer	2 form A	100V	500mA	10VA	<50 μ V		3MHz	Connector	Yes	
7166	10	Isolated switch	2 form A	300V	750mA	30VA	75 μ V typ.		3MHz	Connector	Yes	Mercury wetted contacts
PROTOTYPE & ADAPTER CARD Can also be used with Models 705 and 706												
7061	10											Prototyping

* When configured in 20 channel mode, use as one of 20 channel selector switch only.

** Cards with a -D suffix feature D-sub connectors.

Table 5-7: Switching Card Accessories for the Model 7001 and 7002 Switch Mainframes

	Cables		Connectors		Adapters		Tools	
7011-C	7011-MTC-1	7011-MTC-2	7011-KIT-R	7011-MTR				
7011-S			7011-ST					
7111-S								
7012-C	7011-MTC-1	7011-MTC-2	7011-KIT-R	7011-MTR				
7012-S			7012-ST					
7013-C	7011-MTC-1	7011-MTC-2	7011-KIT-R	7011-MTR				
7013-S			7013-ST					
7014	7401		7014-ST					
7015-C	7011-MTC-1	7011-MTC-2	7011-KIT-R	7011-MTR				
7015-S			7015-ST					
7018-C	7011-MTC-1	7011-MTC-2	7011-KIT-R	7011-MTR				
7018-S			7018-ST					
7019	7019-C-MTC12	7019-C-MTC2	7011-KIT-R	7011-MTR				
7020	7020-MTC-2		7011-KIT-R (incl.)	7011-MTR				
7020-D			7020-DT					
7021	7011-MTC-1	7011-MTC-2	7011-KIT-R (incl.)	7011-MTR				
7022	7011-MTC-1	7011-MTC-2	7011-KIT-R (incl.)	7011-MTR				
7035	7035-MTC-2		7011-KIT-R (incl.)	7011-MTR				
7036	7036-MTC-2		7011-KIT-R (incl.)	7011-MTR				
7037	7011-MTC-1	7011-MTC-2	7011-KIT-R (incl.)	7011-MTR				
7037-D			7037-DT					
7057A	7401							
7058	7024-3 (incl.)	7024-10	7023		6146, 6147	6172		
7062	7051-2, -5, -10							
7063	7051-2, -5, -10							
7152	7152-MTC-2, -10	7152-TRX-10	7152-KIT	7152-MTR			7152-HCT 7074-HCT	7074-CIT
7153	7153-TRX							
7156-D	7156-MTC-10		7156-KIT	7156-MTR				
7158	4801	4802-10	4803		4804			
7164-D	7164-MTC-10		7164-KIT	7164-MTR (incl.)				
7169A	7169-MTC-10		7169-KIT	7169-MTR				7078-CIT 7078-HCT

Table 5-8: Switching Cards for the Model 707A and 708A Switch Mainframes

No. of Channels	Card Config.	Contact Config.	Max. Voltage	Max. Current	Max. Power	Contact Potential	Offset Current	Max. Recomm. Frequency	Connection Type	CE	Comments
LOW CURRENT											
7072	8×12	Matrix	200V	1A	10VA	<20 μ V	<1pA	15 MHz	3-lug triax	Yes	Optimized for semiconductor applications.
7072-HV	8×12	Matrix	1300V	1A	10VA	<20 μ V	<1pA	4 MHz	3-lug triax	Yes	Optimized for semiconductor applications.
7174A	8×12	Matrix	200V	2A			<100fA	30 MHz	3-lug triax	Yes	Optimized for semiconductor applications.
GENERAL PURPOSE											
7071	8×12	Matrix	200V	500mA	10VA	<5 μ V	<100pA	3 MHz	Connector	Yes	Also provides screw terminal connection.
7071-4	Dual 4×12	Matrix	200V	500mA	10VA	<5 μ V	<100pA	3 MHz	Connector	Yes	Screw terminals available on row connections.
7074-D	Eight 1×12	Multiplexer	200V	500mA	10VA	<5 μ V	<100pA	5 MHz	Connector	Yes	
7075	Eight 1×12	Multiplexer	110V	1A	30VA	<5 μ V	<100pA	30 MHz	Connector	Yes	
7076	Dual 4×12	Matrix	110V	1A	30VA	<5 μ V	<100pA	15 MHz	Connector	Yes	
7077	Dual 8×12	Matrix	42V	1A	30VA	<5 μ V	<100pA	15 MHz	BNC	Yes	Isolated BNC for differential systems.
HIGH FREQUENCY											
7073	8×12	Matrix	1-pole form A	200V	1A	30VA	<2 μ V	<200pA	BNC	Yes	
7173-50	4×12	Matrix	2 form C	30V	0.5A	10VA	<15 μ V	<200pA	BNC	Yes	
PROTOTYPE											
7070	96									Yes	7070 includes ribbon cable to extend backplane outside mainframe.
7070-PCA	96										

Table 5-9: Switching Card Accessories for the Model 707A and 708A Switch Mainframes

	Cables				Connectors		Adapters		Tools	
	7071, 7071-4	7078-MTC-5	7078-MTC-20	7078-MTR	7078-KIT	7078-MTR	237-TRX-T	7078-TRX-BNC	7078-CIT	7078-HCT
7072	7078-TRX-3	7078-TRX-10	7078-TRX-10				237-TRX-T	7078-TRX-BNC		
7174A	7078-3	7078-10					237-TRX-T	7078-TRX-BNC		
7072-HV	7078-TRX-3	7078-TRX-10					7078-TRX-BNC	237-TRX-T		
							7078-TRX-GND	237-TRX-TBC		
7073	7051-2, -5, -10	7754-3					7755			
7074-D	7074-MTC-20 (cols.)	7078-MTC-5 (rows)	7074-MTR (cols.)	7074-KIT (cols.)	7078-KIT (rows)		7078-CIT	7074-CIT	7074-HCT	
	7078-MTC-20 (rows)	7074-MTR (cols.)		7078-MTR (rows)	7074-RTC			7078-HCT		
7075	7075-MTC	7076-CMTC	7076-RMTC							
7076	7075-MTC	7076-CMTC	7076-RMTC							
7173-50	7173-50-CSEP									

APPENDIX A

Low Level
Measurement
Troubleshooting Guide

Measurement Type and Typical Applications	Error Symptoms	Likely Causes	How to Avoid
Low Voltage	Standard Cell Intercomparison Josephson Junction Array Voltage Thermometry Thermoelectric EMF Relay/Connector Contact Voltage Magnetic EMF	Thermoelectric EMF Thermoelectric EMF Magnetic Interference	Keep all connections at same temperature. Use crimped Cu-Cu connections. See above. Arrange leads as twisted pairs. Remove/shield from magnetic fields.
Low Current	Ion/Electron Currents Tunneling Current Component Leakage Photodetector Current Insulator Leakage/ Breakdown MOS Charge Pumping Current Quasistatic Capacitance Tribol-, Piezoelectric Current	Ground Loop Insulator Leakage Meter Bias Current Detector Dark Current Electrostatic Coupling Vibration/Deformation High Input Capacitance Offset Current Drift Voltage Burden	Connect to ground at only one "star" point. Guard/Choose good insulator/Clean well. Choose picoammeter/electrometer Suppress or subtract with REL. Shield and avoid high voltage and movement nearby. Isolate room vibration. Use low noise cables. Use shunt ammeter or add series resistance. Stabilize temperature or DUT and meter. Use feedback ammeter. Use higher range.

Measurement Type and Typical Applications		Error Symptoms	Likely Causes	How to Avoid
Low Resistance	Superconductor Resistance	Offset Resistance	Lead Resistance	Four-wire method (Kelvin connections).
	Metal Resistance	Drift in Readings	Thermoelectric EMF	Pulse test signal (delta mode/offset compensate).
	Crack Growth/Fatigue	Noisy Readings	Magnetic Interference	Remove/shield from magnetic fields. Arrange leads as twisted pairs.
High Resistance	Bonding Resistance	Reading Too Low	Fixture Resistance in Parallel with DUT	Use fixture and cables with higher insulation R. Guarding will effectively increase shunt R.
	Relay/Connector Contact Resistance		Low Voltmeter Input R	Use force voltage/measure current method.
	Insulation Resistance		Offset Current	Suppress or REL the current offset with test voltage off. Use alternating voltage.
	Surface Insulation Resistance of PC Boards, Substrates, or Packages	Noisy Readings	Electrostatic Coupling	Shield and avoid movement and fluctuating voltages nearby. Use alternating voltage.
	Material Resistivity		Common Mode Current	Ground one side of DUT. Use analog filter.
Voltage from a High Resistance Source	Polymer Conductivity		Shunt Resistance	Fixture and cables with higher insulation R. Guarding will effectively increase shunt R.
	Surface/Volume Resistivity		Offset Current	Use electrometer.
	Four-point Probe	Noisy Readings	Electrostatic Coupling	Shield and avoid movement and fluctuating voltages nearby. Use alternating voltage.
	Spreading Resistance		Common Mode Current	Ground one side of DUT. Use analog filter.
pH or Ion Selective Electrode	Dielectric Absorption	Reading Too Low (Loading Error)	Shunt Resistance	Fixture and cables with higher insulation R. Guarding will effectively increase shunt R.
	FET Gate Voltage		Offset Current	Use electrometer.
	Hall Effect Voltage	Noisy Readings	Electrostatic Coupling	Shield and avoid movement and fluctuating voltages nearby. Use electrometer.
			Fluctuating Current Generated by Instrument	

APPENDIX B

Cable and
Connector
Assembly

Proper cable and connector assembly is an important factor in maintaining the integrity of low level measurements. Generally, three types of cable are used with low level instruments: coaxial, triaxial, and shielded twisted pair. In addition, the cable is often of low noise or low thermoelectric EMF design. To prepare a low noise coaxial or triaxial cable for either direct connection to a source or for connector assembly, follow the steps illustrated in **Figure B-1**:

1. Gently cut through outer insulation without cutting the shield.
2. Using a sharp point, unravel the shield braid.
3. Twist the braid and thoroughly clean off all traces of graphite with methanol. For triax cable, repeat the previous steps with the inner shield.
4. Cut center conductor to proper length, strip insulation off center conductor, and "tin" leads.
5. For insertion into connectors, the braid is cut back in accordance with the assembly instructions for the particular connector type.

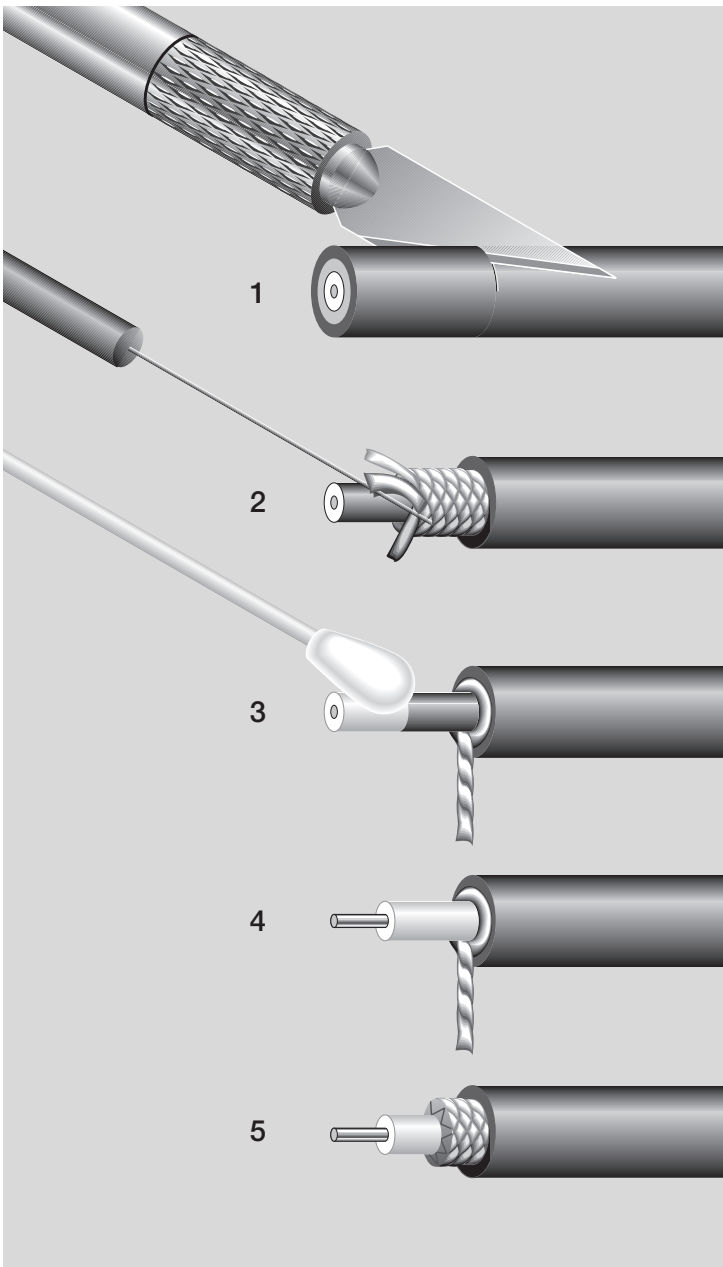
Connectors should have high resistance insulation. Teflon[®] is usually preferred because of its resistance to surface contaminants. Coaxial or triaxial connectors are available with Teflon insulation.

Note that the BNC and two-slot triaxial connectors are very similar; take care to ensure the connector is used only with a properly mating variety. If BNC and two-slot triax connectors are mated, the result will be permanent damage to the plug and receptacle. Using three-slot triaxial connectors where appropriate will eliminate this problem.

While some low level instruments use coaxial connections, most use triaxial connectors. Triaxial cable provides the grounded shielding necessary for high common-mode measurements; generally, the outer shield is connected to power-line ground, while the inner shield is connected to signal LO. Also, triaxial connections make it easy to use guarding. In this configuration, the inner shield is connected to guard potential, and the outer shield is connected to ground. Safety hazards can exist when using this scheme in situations where exposed metal is at guard potential and the guard voltage is above 30Vrms.

As with any insulated device, connector insulation must be kept clean to avoid reducing its leakage resistance. Avoid touching insulating material. If the connector becomes contaminated, it can be cleaned with methanol or distilled water. When cleaning, use only the purest cleaning agents and thoroughly flush contaminants away from the affected area. After all contaminants are removed, allow the connector to dry for several hours in a low humidity environment before use.

FIGURE B-1: Cable Preparation



APPENDIX C

Glossary

ABSOLUTE ACCURACY. A measure of the closeness of agreement of an instrument reading compared to that of a primary standard having absolute traceability to a standard sanctioned by a recognized standards organization. Accuracy is often separated into gain and offset terms. *See also* RELATIVE ACCURACY.

A/D (ANALOG-TO-DIGITAL) CONVERTER. A circuit used to convert an analog input signal into digital information. All digital meters use an A/D converter to convert the input signal into digital information.

ANALOG OUTPUT. An output that is directly proportional to the input signal.

ASSEMBLER. A molecular manufacturing device that can be used to guide chemical reactions by positioning molecules. An assembler can be programmed to build virtually any molecular structure or device from simpler chemical building blocks.

AUTO-RANGING. The ability of an instrument to automatically switch among ranges to determine the range offering the highest resolution. The ranges are usually in decade steps.

AUTO-RANGING TIME. For instruments with auto-ranging capability, the time interval between application of a step input signal and its display, including the time for determining and changing to the correct range.

BANDWIDTH. The range of frequencies that can be conducted or amplified within certain limits. Bandwidth is usually specified by the -3dB (half-power) points.

BIAS VOLTAGE. A voltage applied to a circuit or device to establish a reference level or operating point of the device during testing.

CAPACITANCE. In a capacitor or system of conductors and dielectrics, that property which permits the storage of electrically separated charges when potential differences exist between the conductors. Capacitance is related to the charge and voltage as follows: $C = Q/V$, where C is the capacitance in farads, Q is the charge in coulombs, and V is the voltage in volts.

CARBON NANOTUBE. A tube-shaped nanodevice formed from a sheet of single-layer carbon atoms that has novel electrical and tensile properties. These fibers may exhibit electrical conductivity as high as copper, thermal conductivity as high as diamond, strength 100 times greater than steel at one-sixth of steel's weight, and high strain to failure. They can be superconducting, insulating, semiconducting, or conducting (metallic). Non-carbon nanotubes, often called nanowires, are often created from boron nitride or silicon.

CHANNEL (SWITCHING). One of several signal paths on a switching card. For scanner or multiplexer cards, the channel is used as a switched input in measuring circuits, or as a switched output in sourcing circuits. For switch cards, each channel's signals paths are independent of other

- channels. For matrix cards, a channel is established by the actuation of a relay at a row and column crosspoint.
- COAXIAL CABLE.** A cable formed from two or more coaxial cylindrical conductors insulated from each other. The outermost conductor is often earth grounded.
- COMMON-MODE REJECTION RATIO (CMRR).** The ability of an instrument to reject interference from a common voltage at its input terminals with respect to ground. Usually expressed in decibels at a given frequency.
- COMMON-MODE CURRENT.** The current that flows between the input low terminal and chassis ground of an instrument.
- COMMON-MODE VOLTAGE.** A voltage between input low and earth ground of an instrument.
- CONTACT RESISTANCE.** The resistance in ohms between the contacts of a relay or connector when the contacts are closed or in contact.
- CONTAMINATION.** Generally used to describe the unwanted material that adversely affects the physical, chemical, or electrical properties of a semiconductor or insulator.
- D/A (DIGITAL-TO-ANALOG) CONVERTER.** A circuit used to convert digital information into an analog signal. D/A converters are used in many instruments to provide an isolated analog output.
- DIELECTRIC ABSORPTION.** The effect of residual charge storage after a previously charged capacitor has been discharged momentarily.
- DIGITAL MULTIMETER (DMM).** An electronic instrument that measures voltage, current, resistance, or other electrical parameters by converting the analog signal to digital information and display. The typical five-function DMM measures DC volts, DC amps, AC volts, AC amps, and resistance.
- DRIFT.** A gradual change of a reading with no change in input signal or operating conditions.
- DRY CIRCUIT TESTING.** The process of measuring a device while keeping the voltage across the device below a certain level (e.g., <20mV) in order to prevent disturbance of oxidation or other degradation of the device being measured.
- ELECTROCHEMICAL EFFECT.** A phenomenon whereby currents are generated by galvanic battery action caused by contamination and humidity.
- ELECTROMETER.** A highly refined DC multimeter. In comparison with a digital multimeter, an electrometer is characterized by higher input resistance and greater current sensitivity. It can also have functions not generally available on DMMs (e.g., measuring electric charge, sourcing voltage).
- EMF.** Electromotive force or voltage. EMF is generally used in context of a voltage difference caused by electromagnetic, electrochemical, or thermal effects.

ELECTROSTATIC COUPLING. A phenomenon whereby a current is generated by a varying or moving voltage source near a conductor.

ERROR. The deviation (difference or ratio) of a measurement from its true value. True values are by their nature indeterminate. *See also* RANDOM ERROR *and* SYSTEMATIC ERROR.

FALL TIME. The time required for a signal to change from a large percentage (usually 90%) to a small percentage (usually 10%) of its peak-to-peak value. *See also* RISE TIME.

FARADAY CUP. A Faraday cup (sometimes called a Faraday cage or icepail) is an enclosure made of sheet metal or mesh. It consists of two electrodes, one inside the other, separated by an insulator. While the inner electrode is connected to the electrometer, the outer electrode is connected to ground. When a charged object is placed inside the inner electrode, all the charge will flow into the measurement instrument. The electric field inside a closed, empty conductor is zero, so the cup shields the object placed inside it from any atmospheric or stray electric fields. This allows measuring the charge on the object accurately.

FEEDBACK PICOAMMETER. A sensitive ammeter that uses an operational amplifier feedback configuration to convert an input current into voltage for measurement.

FLOATING. The condition where a common-mode voltage exists between an earth ground and the instrument or circuit of interest. (Circuit low is not tied to earth potential.)

FOUR-POINT PROBE. The four-point collinear probe resistivity measurement technique involves bringing four equally spaced probes in contact with the material of unknown resistance. The array is placed in the center of the material. A known current is passed through the two outside probes and the voltage is sensed at the two inside probes. The resistivity is calculated as follows:

$$\rho = \frac{\pi}{\ln 2} \times \frac{V}{I} \times t \times k$$

where: V = the measured voltage in volts, I = the source current in amps, t = the wafer thickness in centimeters, k = a correction factor based on the ratio of the probe to wafer diameter and on the ratio of wafer thickness to probe separation.

FOUR-TERMINAL RESISTANCE MEASUREMENT. A measurement where two leads are used to supply a current to the unknown, and two different leads are used to sense the voltage drop across the resistance. The four-terminal configuration provides maximum benefits when measuring low resistances.

FULLERENE. Refers to C₆₀, an approximately spherical, hollow, carbon molecule containing 60 carbon atoms arranged in interlocking hexagons and pentagons, reminiscent of the geodesic dome created by architect

- R. Buckminster Fuller. Sometimes called “buckminsterfullerene” or “buckyball.”
- GROUND LOOP.** A situation resulting when two or more instruments are connected to different points on the ground bus and to earth or power line ground. Ground loops can develop undesired offset voltages or noise.
- GUARDING.** A technique that reduces leakage errors and decreases response time. Guarding consists of a conductor driven by a low impedance source surrounding the lead of a high impedance signal. The guard voltage is kept at or near the potential of the signal voltage.
- HALL EFFECT.** The measurement of the transverse voltage across a conductor when placed in a magnetic field. With this measurement, it is possible to determine the type, concentration, and mobility of carriers in silicon.
- HIGH IMPEDANCE TERMINAL.** A terminal where the source resistance times the expected stray current (for example, $1\mu\text{A}$) exceeds the required voltage measurement sensitivity.
- INPUT BIAS CURRENT.** The current that flows at the instrument input due to internal instrument circuitry and bias voltage.
- INPUT IMPEDANCE.** The shunt resistance and capacitance (or inductance) as measured at the input terminals, not including effects of input bias or offset currents.
- INPUT OFFSET CURRENT.** The difference between the two currents that must be supplied to the input measuring terminals of a differential instrument to reduce the output indication to zero (with zero input voltage and offset voltage). Sometimes informally used to refer to input bias current.
- INPUT OFFSET VOLTAGE.** The voltage that must be applied directly between the input measuring terminals, with bias current supplied by a resistance path, to reduce the output indication to zero.
- INPUT RESISTANCE.** The resistive component of input impedance.
- INSULATION RESISTANCE.** The ohmic resistance of insulation. Insulation resistance degrades quickly as humidity increases.
- JOHNSON NOISE.** The noise in a resistor caused by the thermal motion of charge carriers. It has a white noise spectrum and is determined by the temperature, bandwidth, and resistance value.
- LEAKAGE CURRENT.** Error current that flows (leaks) through insulation resistance when a voltage is applied. Even high resistance paths between low current conductors and nearby voltage sources can generate significant leakage currents.
- LONG-TERM ACCURACY.** The limit that errors will not exceed during a 90-day or longer time period. It is expressed as a percentage of reading (or sourced value) plus a number of counts over a specified temperature range.

- MAXIMUM ALLOWABLE INPUT.** The maximum DC plus peak AC value (voltage or current) that can be applied between the high and low input measuring terminals without damaging the instrument.
- MEMS.** Microelectromechanical systems. Describes systems that can respond to a stimulus or create physical forces (sensors and actuators) and that have dimensions on the micrometer scale. They are typically manufactured using the same lithographic techniques used to make silicon-based ICs.
- MICRO-OHMMETER.** An ohmmeter that is optimized for low resistance measurements. The typical micro-ohmmeter uses the four-terminal measurement method and has special features for optimum low level measurement accuracy.
- MOLECULAR ELECTRONICS.** Any system with atomically precise electronic devices of nanometer dimensions, especially if made of discrete molecular parts, rather than the continuous materials found in today's semiconductor devices.
- MOLECULAR MANIPULATOR.** A device combining a proximal-probe mechanism for atomically precise positioning with a molecule binding site on the tip; can serve as the basis for building complex structures by positional synthesis.
- MOLECULAR MANUFACTURING.** Manufacturing using molecular machinery, giving molecule-by-molecule control of products and by-products via positional chemical synthesis.
- MOLECULAR NANOTECHNOLOGY.** Thorough, inexpensive control of the structure of matter based on molecule-by-molecule control of products and by-products; the products and processes of molecular manufacturing, including molecular machinery.
- MOSFET.** A metal oxide field effect transistor. A unipolar device characterized by extremely high input resistance.
- NANO-.** A prefix meaning one billionth ($1/1,000,000,000$).
- NANOELECTRONICS.** Electronics on a nanometer scale. Includes both molecular electronics and nanoscale devices that resemble current semiconductor devices.
- NANOTECHNOLOGY.** Fabrication of devices with atomic or molecular scale precision. Devices with minimum feature sizes less than 100 nanometers (nm) are considered products of nanotechnology. A nanometer [one-billionth of a meter (10^{-9} m)] is the unit of length generally most appropriate for describing the size of single molecules.
- NANOVOLTMETER.** A voltmeter optimized to provide nanovolt sensitivity (generally uses low thermoelectric EMF connectors, offset compensation, etc.).
- NOISE.** Any unwanted signal imposed on a desired signal.

- NORMAL-MODE REJECTION RATIO (NMRR).** The ability of an instrument to reject interference across its input terminals. Usually expressed in decibels at a specific frequency such as that of the AC power line.
- NORMAL-MODE VOLTAGE.** A voltage applied between the high and low input terminals of an instrument.
- OFFSET CURRENT.** A current generated by a circuit even though no signals are applied. Offset currents are generated by triboelectric, piezoelectric, or electrochemical effects present in the circuit.
- OVERLOAD PROTECTION.** A circuit that protects the instrument from excessive current or voltage at the input terminals.
- PICOAMMETER.** An ammeter optimized for the precise measurement of small currents. Generally, a feedback ammeter.
- PIEZOELECTRIC EFFECT.** A term used to describe currents generated when mechanical stress is applied to certain types of insulators.
- PRECISION.** Refers to the freedom of uncertainty in the measurement. It is often applied in the context of repeatability or reproducibility and should not be used in place of accuracy. *See also* UNCERTAINTY.
- QUANTUM DOT.** A nanoscale object (usually a semiconductor island) that can confine a single electron (or a few) and in which the electrons occupy discrete energy states, just as they would in an atom. Quantum dots have been called “artificial atoms.”
- RANDOM ERROR.** The mean of a large number of measurements influenced by random error matches the true value. *See also* SYSTEMATIC ERROR.
- RANGE.** A continuous band of signal values that can be measured or sourced. In bipolar instruments, range includes positive and negative values.
- READING.** The displayed number that represents the characteristic of the input signal.
- READING RATE.** The rate at which the reading number is updated. The reading rate is the reciprocal of the time between readings.
- RELATIVE ACCURACY.** The accuracy of a measuring instrument in reference to a secondary standard. *See also* ABSOLUTE ACCURACY.
- REPEATABILITY.** The closeness of agreement between successive measurements carried out under the same conditions.
- REPRODUCIBILITY.** The closeness of agreement between measurements of the same quantity carried out with a stated change in conditions.
- RESOLUTION.** The smallest portion of the input (or output) signal that can be measured (or sourced) and displayed.
- RESPONSE TIME.** For a measuring instrument, the time between application of a step input signal and the indication of its magnitude within a rated accuracy. For a sourcing instrument, the time between a programmed

change and the availability of the value at its output terminals. Also known as **SETTLING TIME**.

RISE TIME. The time required for a signal to change from a small percentage (usually 10%) to a large percentage (usually 90%) of its peak-to-peak amplitude. *See also* **FALL TIME**.

SENSITIVITY. The smallest quantity that can be measured and displayed.

SETTLING TIME. For a measuring instrument, the time between application of a step input signal and the indication of its magnitude within a rated accuracy. For a sourcing instrument, the time between a programmed change and the availability of the value at its output terminals. Also known as **RESPONSE TIME**.

SHIELDING. A metal enclosure around the circuit being measured, or a metal sleeve surrounding the wire conductors (coax or triax cable) to lessen interference, interaction, or leakage. The shield is usually grounded or connected to input LO.

SHUNT AMMETER. A type of ammeter that measures current by converting the input current into a voltage by means of shunt resistance. Shunt ammeters have higher voltage burden and lower sensitivity than do feedback ammeters.

SHUNT CAPACITANCE LOADING. The effect on a measurement of the capacitance across the input terminals, such as from cables or fixtures. Shunt capacitance increases both rise time and settling time.

SHORT-TERM ACCURACY. The limit that errors will not exceed during a short, specified time period (such as 24 hours) of continuous operation. Unless specified, no zeroing or adjustment of any kind are permitted. It is expressed as percentage of reading (or sourced value) plus a number of counts over a specified temperature range.

SINGLE ELECTRON TRANSISTOR. A switching device that uses controlled electron tunneling to amplify current. An SET is made from two tunnel junctions that share a common electrode. A tunnel junction consists of two pieces of metal separated by a very thin ($\sim 1\text{nm}$) insulator. The only way for electrons in one of the metal electrodes to travel to the other electrode is to tunnel through the insulator. Tunneling is a discrete process, so the electric charge that flows through the tunnel junction flows in multiples of e , the charge of a single electron.

SOURCE IMPEDANCE. The combination of resistance and capacitive or inductive reactance the source presents to the input terminals of a measuring instrument.

SOURCE-MEASURE UNIT (SMU). An electronic instrument that sources and measures DC voltage and current. Generally, SMUs have two modes of operation: source voltage and measure current, or source current and measure voltage. Also known as source-monitor unit or stimulus-measurement unit.

- SOURCEMETER.** A SourceMeter instrument is very similar to the source-measure unit in many ways, including its ability to source and measure both current and voltage and to perform sweeps. In addition, a SourceMeter instrument can display the measurements directly in resistance, as well as voltage and current. It is designed for general-purpose, high speed production test applications. It can also be used as a source for moderate to low level measurements and for research applications.
- SOURCE RESISTANCE.** The resistive component of source impedance. *See also* THEVENIN EQUIVALENT CIRCUIT.
- SPINTRONICS.** Electronics that take advantage of the spin of an electron in some way, rather than just its charge.
- STANDARD CELL.** An electrochemical cell used as a voltage reference in laboratories.
- SUPERCONDUCTOR.** A conductor that has zero resistance. Such materials usually become superconducting only at very low temperatures.
- SWITCH CARD.** A type of card with independent and isolated relays for switching inputs and outputs on each channel.
- SWITCHING MAINFRAME.** A switching instrument that connects signals among sourcing and measuring instruments and devices under test. A mainframe is also referred to as a scanner, multiplexer, matrix, or programmable switch.
- SYSTEMATIC ERROR.** The mean of a large number of measurements influenced by systematic error deviates from the true value. *See also* RANDOM ERROR.
- TEMPERATURE COEFFICIENT.** A measure of the change in reading (or sourced value) with a change in temperature. It is expressed as a percentage of reading (or sourced value), plus a number of counts per degree change in temperature.
- TEMPERATURE COEFFICIENT OF RESISTANCE.** The change of resistance of a material or device per degree of temperature change, usually expressed in ppm/°C.
- THERMOELECTRIC EMFs.** Voltages resulting from temperature differences within a measuring circuit or when conductors of dissimilar materials are joined together.
- THEVENIN EQUIVALENT CIRCUIT.** A circuit used to simplify analysis of complex, two-terminal linear networks. The Thevenin equivalent voltage is the open-circuit voltage and the Thevenin equivalent resistance equals the open-circuit voltage divided by the short-circuit current.
- TRANSFER ACCURACY.** A comparison of two nearly equal measurements over a limited temperature range and time period. It is expressed in ppm. *See also* RELATIVE ACCURACY, SHORT-TERM ACCURACY.
- TRIBOELECTRIC EFFECT.** A phenomenon whereby currents are generated by charges created by friction between a conductor and an insulator.

- TRIGGER.** An external stimulus that initiates one or more instrument functions. Trigger stimuli include: an input signal, the front panel, an external trigger pulse, and IEEE-488 bus X, talk, and GET triggers.
- TWO-TERMINAL RESISTANCE MEASUREMENT.** A measurement where the source current and sense voltage are applied through the same set of test leads.
- UNCERTAINTY.** An estimate of the possible error in a measurement; in other words, the estimated possible deviation from its actual value.
- VAN DER PAUW MEASUREMENT.** A measurement technique used to measure the resistivity of arbitrarily shaped samples.
- VOLTAGE BURDEN.** The voltage drop across the input terminals of an ammeter.
- VOLTAGE COEFFICIENT.** The change in resistance value with applied voltage. Usually expressed in percent/V or in ppm/V.
- WARM-UP TIME.** The time required after power is applied to an instrument to achieve rated accuracy at reference conditions.
- ZERO OFFSET.** The reading that occurs when the input terminals of a measuring instrument are shorted (voltmeter) or open-circuited (ammeter).

APPENDIX D

Safety
Considerations

Test System Safety

Many electrical test systems or instruments are capable of measuring or sourcing hazardous voltage and power levels. It is also possible, under single fault conditions (e.g., a programming error or an instrument failure), to output hazardous levels even when the system indicates no hazard is present.

These high voltage and power levels make it essential to protect operators from any of these hazards at all times.

Protection methods include:

- Design test fixtures to prevent operator contact with any hazardous circuit.
- Make sure the device under test is fully enclosed to protect the operator from any flying debris.
- Double insulate all electrical connections that an operator could touch. Double insulation ensures the operator is still protected, even if one insulation layer fails.
- Use high-reliability, fail-safe interlock switches to disconnect power sources when a test fixture cover is opened.
- Where possible, use automated handlers so operators do not require access to the inside of the test fixture or have a need to open guards.
- Provide proper training to all users of the system so they understand all potential hazards and know how to protect themselves from injury.

CAUTION: During power-up, the states of board outputs are uncontrolled until hardware and software initialization has been completed. Users must make sure their designs can tolerate this or provide suitable interlocks to prevent dangerous voltages or actions from reaching users.

General Safety Considerations

It is the responsibility of the test system designers, integrators, and installers to make sure operator and maintenance personnel protection is in place and effective.

The following safety precautions should be observed before using any Keithley product and any associated instrumentation. Although some instruments and accessories would normally be used with non-hazardous voltages, there are situations where hazardous conditions may be present. Keithley products are intended for use by qualified personnel who recognize shock hazards and are familiar with the safety precautions required to avoid possible injury. Read the operating information provided in each product's manual carefully before using any Keithley product.

The types of product users are:

Responsible body is the individual or group responsible for the use and maintenance of equipment, for ensuring that the equipment is operated within its specifications and operating limits, and for ensuring that operators are adequately trained.

Operators use the product for its intended function. They must be trained in electrical safety procedures and proper use of the instrument. They must be protected from electric shock and contact with hazardous live circuits.

Maintenance personnel perform routine procedures on the product to keep it operating, for example, setting the line voltage or replacing consumable materials. Maintenance procedures are described in the manual. The procedures explicitly state if the operator may perform them. Otherwise, they should be performed only by service personnel.

Service personnel are trained to work on live circuits, and perform safe installations and repairs of products. Only properly trained service personnel may perform installation and service procedures.

Exercise extreme caution when a shock hazard is present. Lethal voltage may be present on cable connector jacks or test fixtures. The American National Standards Institute (ANSI) states that a shock hazard exists when voltage levels greater than 30V RMS, 42.4V peak, or 60VDC are present. A good safety practice is to expect that hazardous voltage is present in any unknown circuit before measuring.

Users of these products must be protected from electric shock at all times. The responsible body must ensure that users are prevented access and/or insulated from every connection point. In some cases, connections must be exposed to potential human contact. Product users in these circumstances must be trained to protect themselves from the risk of electric shock. If the circuit is capable of operating at or above 1000 volts, no conductive part of the circuit may be exposed.

As described in the International Electrotechnical Commission (IEC) Standard IEC 664, these instruments are Installation Category I, and signal lines must not be directly connected to AC mains.

For rack mounted equipment in which the power cord is not accessible, in the event of fire or other catastrophic failure, the user must provide a separate power disconnect switch.

Do not connect switching cards directly to unlimited power circuits. They are intended to be used with impedance limited sources. NEVER connect switching cards directly to AC mains. When connecting sources to switching cards, install protective devices to limit fault current and voltage to the card.

Before operating an instrument, make sure the line cord is connected to a properly grounded power receptacle. Inspect the connecting cables, test leads, and jumpers for possible wear, cracks, or breaks before each use.

For maximum safety, do not touch the product, test cables, or any other instruments while power is applied to the circuit under test. ALWAYS remove power from the entire test system and discharge any capacitors before: connecting or disconnecting cables or jumpers, installing or removing switching cards, or making internal changes, such as installing or removing jumpers.

Do not touch any object that could provide a current path to the common side of the circuit under test or power line (earth) ground. Always make measurements with dry hands while standing on a dry, insulated surface capable of withstanding the voltage being measured.


Instruments and accessories must be used in accordance with specifications and operating instructions or the safety of the equipment may be impaired.

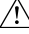
Do not exceed the maximum signal levels of the instruments and accessories, as defined in the specifications and operating information, and as shown on the instrument or test fixture panels, or switching card.


When fuses are used in a product, replace with same type and rating for continued protection against fire hazard.

Chassis connections must only be used as shield connections for measuring circuits, NOT as safety earth ground connections.

If you are using a test fixture, keep the lid closed while power is applied to the device under test. Safe operation requires the use of a lid interlock.

If a  screw is present, connect it to safety earth ground using the wire recommended in the user documentation.

The  symbol on an instrument indicates that the user should refer to the operating instructions located in the manual.

The  symbol on an instrument shows that it can source or measure 1000 volts or more, including the combined effect of normal and common mode voltages. Use standard safety precautions to avoid personal contact with these voltages.

The **WARNING** heading in a manual explains dangers that might result in personal injury or death. Always read the associated information very carefully before performing the indicated procedure.

The **CAUTION** heading in a manual explains hazards that could damage the instrument. Such damage may invalidate the warranty.

Instrumentation and accessories shall not be connected to humans.

Before performing any maintenance, disconnect the line cord and all test cables.

To maintain protection from electric shock and fire, replacement components in mains circuits, including the power transformer, test leads, and input jacks, must be purchased from Keithley Instruments. Standard fuses, with applicable national safety approvals, may be used if the rating and type

are the same. Other components that are not safety related may be purchased from other suppliers as long as they are equivalent to the original component. (Note that selected parts should be purchased only through Keithley Instruments to maintain accuracy and functionality of the product.) If you are unsure about the applicability of a replacement component, call a Keithley Instruments office for information.

To clean an instrument, use a damp cloth or mild, water based cleaner. Clean the exterior of the instrument only. Do not apply cleaner directly to the instrument or allow liquids to enter or spill on the instrument. Products that consist of a circuit board with no case or chassis (e.g., data acquisition board for installation into a computer) should never require cleaning if handled according to instructions. If the board becomes contaminated and operation is affected, the board should be returned to the factory for proper cleaning/servicing.

INDEX

- 1/f noise, 3-7 to 3-8
- 3dB point, 2-53

- Absolute accuracy, 1-10, 1-12
- AC interference and damping, 2-31 to 2-23
- AC pickup, 3-24
- Accuracy, 1-10 to 1-13
- Alternating polarity technique (resistivity measurements), 4-25 to 4-26
- Alternating voltage method (resistivity measurements), 4-26
- Ammeter, 1-17 to 1-21
- Analog outputs, 2-66
- Avalanche photodiode (APD), 4-18 to 4-19

- Bandwidth, 2-53 to 2-54

- Cabling, 2-26
- Capacitance measurements, 4-37 to 4-38
- Capacitors
 - dielectric absorption measurements, 4-2 to 4-5
 - leakage measurements, 4-9 to 4-11
- Ceramic insulators, 2-12 to 2-13, 2-23
- Charge measurements, 1-7, 1-22, 2-33, 2-44 to 2-47, 4-36 to 4-39
- Circuit design basics, 1-16 to 1-33
- Common-mode current errors, 3-15 to 3-16, 4-31 to 4-32
- Common-mode rejection ratio (CMRR), 1-14 to 1-15
- Conductivity measurements, 4-8
- Connections
 - BNC connectors, 2-63 to 2-64
 - cables, 2-62 to 2-63
 - instrument to DUT, 2-47 to 2-49
 - prevention of thermoelectric EMFs, 3-5
 - triax cabling and connectors, 2-64 to 2-65
- Constant-current method (resistance measurement), 1-6, 2-37 to 2-43, 2-58
- Constant-voltage method (resistance measurement), 1-6, 2-36 to 2-37
- Contact resistance, 4-44 to 4-47
- Contamination, 2-14, 2-24, 2-26 to 2-28, 2-44
- Coulombmeter, 1-7, 1-22
 - for charge measurements, 4-36
 - for current measurements, 2-33 to 2-36
- Cryogenic temperatures, 3-5, 3-11
- Current measurements
 - low, 4-9 to 4-19
 - semiconductor, 4-11 to 4-13
- Current noise, 2-62
- Current-reversal method (for canceling thermoelectric EMFs), 3-19 to 3-20, *see also* Source reversal

- Damping, 2-31 to 2-32
- Dark current, 4-16
- Delta method (for canceling thermoelectric EMFs), 3-20 to 3-22, 4-49
- Deratings, 1-13 to 1-14
- Device heating, 3-24
- Dielectric absorption, 2-11 to 2-12, 2-28, 4-2 to 4-5
- Digital multimeter (DMM), 1-3, 1-7, 1-29 to 1-30, 3-24
- Dry circuit testing, 1-9, 1-27 to 1-28, 3-25 to 3-26, 4-45 to 4-46

- Electrochemical effects (current generation), 2-23, 2-26 to 2-28
- Electrochemical measurements, 4-5 to 4-8
- Electrometer
 - applications
 - capacitor leakage measurements, 4-9 to 4-11
 - charge measurements, 4-36 to 4-39
 - conductivity measurements, 4-8
 - determining dielectric absorption, 4-2 to 4-5

- high resistance
 - measurements, 4-20 to 4-36
 - low current semiconductor
 - measurements, 4-11 to 4-13
 - pH measurements, 4-5 to 4-7
 - description, 1-5 to 1-7, 1-29
 - general measurement
 - considerations, 2-47 to 2-68
 - measurement verification techniques, 2-68
- Electromagnetic interference (EMI), 3-6 to 3-9
- Electrostatic coupling/interference, 2-49 to 2-52
- Error, 1-10, 3-2 to 3-10
 - calculating from instrument specifications, 1-13
 - common-mode current errors, 3-15 to 3-16, 4-31 to 4-32
 - random, 1-10
- External offset current, 2-24 to 2-25
- Faraday cup, 4-38 to 4-39
- Feedback ammeter, 1-18 to 1-19, 2-14, 2-20 to 2-21, 2-56 to 2-57
- Filtering (device input paths to prevent RFI), 3-8
- Floating input signals, 2-67 to 2-68
- Four-point collinear probe resistivity measurement technique, 4-26 to 4-29, 4-51
- Four-wire measurements, 1-9, 2-39 to 2-40
- Frequency
 - AC signals, 2-53
 - voltage noise, 3-6 to 3-8
- Generated currents, 2-45
- Glass epoxy insulators, 2-12 to 2-13
- Ground loops, 3-13 to 3-15
- Guarding, 2-6 to 2-10, 2-14 to 2-19, 2-40 to 2-41, 2-42, 2-51 to 2-52
- High megohm resistors, 2-43 to 2-44
- Humidity, 2-15, 2-26 to 2-28, 2-44, 2-52
- Inductive devices, 3-26 to 3-27
- Input burden, 1-4 to 1-5
- Input offset current, 1-4, 2-14, 2-22 to 2-24, 2-44
- Instrument response speed, 2-53 to 2-58
- Insulation resistance, 2-11 to 2-14, 2-27 to 2-28
- Insulator handling and cleaning, 2-14, 2-24, 2-28
- Ion beam measurements, 4-16 to 4-18
- Ionization interference, 2-53
- Ion-selective electrodes, 4-5 to 4-7
- Johnson noise, 2-36, 2-58 to 2-62, 3-10 to 3-11
- Kel-F[®] insulators, 2-12 to 2-13
- Lead resistance, 3-16 to 3-19
- Leakage current, 1-4, 2-14 to 2-19, 4-12
- Leakage resistance, 1-4
- Light interference, 2-52
- Light measurements, 4-14 to 4-16
- Loading errors, 2-2 to 2-10
- Lucite[®] insulators, 2-14
- Magnetic fields and error voltage
 - generation, 3-11 to 3-13
- Measurement speed, 1-15
- Microcalorimetry, 4-42 to 4-44
- Micro-ohmmeter, 1-9, 1-27 to 1-28, 3-24
- MOSFETs, 4-12 to 4-13
- Nanovoltmeter, 1-7 to 1-8, 1-25, 1-30 to 1-31, 3-9 to 3-10, 3-14, 4-39 to 4-49, 4-52 to 4-53
- National Institute of Standards and Technology (NIST), 1-12
- Noise, 1-14 to 1-15, 2-19 to 2-21
 - bandwidth, 2-59 to 2-61
 - frequency, 3-7 to 3-8
 - rejection, 1-14 to 1-15
 - sources, 3-10 to 3-15
 - specifications, 1-15
 - temperature of signal source and, 2-61
- Non-ohmic contacts, 3-23 to 3-24

- Normal mode rejection ratio (NMRR), 1-14
- Nylon insulators, 2-12, 2-14, 2-15
- Offset-compensated ohms method (of canceling thermoelectric EMFs), 3-22 to 3-23
- Offset compensation, 1-9, 3-19 to 3-23, 3-26, 4-45 to 4-46
- Offset current, 1-4, 2-22 to 2-25
- Offset voltage, 1-4, 3-2 to 3-10
- Operational amplifier, 1-16
- Overload protection, 2-30 to 2-31
- pH measurements, 4-5 to 4-7
- Photomultiplier tubes, 4-14 to 4-16
- Picoammeters, 1-8, 1-19 to 1-21
- Piezoelectric effects, 2-11 to 2-14, 2-24, 2-26
- Polyethylene insulators, 2-12 to 2-13, 2-14
- Polystyrene insulators, 2-12 to 2-13
- Preamp, 1-9, 1-17, 1-21
- Precision, 1-10
- PVC insulators, 2-12
- Quartz insulators, 2-14
- Radio Frequency Interference (RFI), 2-53, 3-6 to 3-9, 3-23
- Relative accuracy, 1-10, 1-12
- Repeatability, 1-10
- Reproducibility, 1-10
- Resistance measurements
 - dry circuit test mode, 1-27 to 1-28
 - four-wire, 1-26 to 1-27, 2-39 to 2-40, 3-16 to 3-19
 - high, 1-22 to 1-25
 - low, 1-25 to 1-29, 3-16 to 3-27, 4-44 to 4-53
 - pulsed drive mode, 1-27 to 1-28
 - radiometric technique, 1-26 to 1-27
 - superconductor, 4-47 to 4-50
 - two-wire, 1-26, 2-39 to 2-40, 3-16 to 3-18
 - voltage dependence of resistance under test, 1-22
- Resistivity measurements, 2-11 to 2-14
 - bulk materials, 4-50 to 4-53
 - four-point collinear probe technique, 4-26 to 4-29, 4-51
 - offset correction techniques, 4-24 to 4-26
 - semiconductors, 4-26 to 4-35
 - surface, 2-11 to 2-14, 4-22 to 4-26
 - van der Pauw technique, 4-29 to 4-35, 4-51 to 4-53
 - volume, 2-11 to 2-14, 4-22 to 4-23
- Resolution, 1-10 to 1-12
- Rise time, 2-54 to 2-58
- Sapphire insulators, 2-12 to 2-13, 2-14
- Seebeck coefficients, 3-4, 3-5
- Sensitivity, 1-3, 1-10, 1-12
- Settling time, 2-41 to 2-43
- Shielding, 2-31
 - electrostatic interference, 2-49 to 2-52
 - magnetic, 3-12
 - reducing AC pickup, 3-24
 - RFI/EMI, 3-8
- Shunt ammeter, 1-17 to 1-18, 2-56
- Shunt capacitance, 1-19 to 1-20, 2-7 to 2-10, 2-14, 2-36, 2-41 to 2-43
- Source capacitance (effect on noise performance), 2-21
- Source impedance, 2-45
- Source-Measure Unit (SMU), 1-8, 1-31 to 1-32, 4-3
- SourceMeter[®] instrument, 1-9, 1-31 to 1-33, 4-3, 4-19, 4-46 to 4-47
- Source resistance (effect on noise performance), 2-19 to 2-21, 2-62
- Source reversal (for thermoelectric EMF cancellation), 3-6, *see also* Current-reversal method
- Specification conversion factors, 1-11
- Standard cells, 4-39 to 4-41
- Surface insulation resistance (SIR) measurements, 4-20 to 4-21
- Systematic error, 1-10
- Teflon[®] insulators, 2-11 to 2-14, 2-23, 2-31

Temperature
 derating, 1-13
 gradients, 3-4, 3-5, 3-11
 measurements, 4-42 to 4-44
 stability, 2-52, 3-10
 Test environment, 2-52 to 2-53, 3-10
 Test fixtures, 2-65 to 2-66, 3-5, 4-22 to 4-24
 Theoretical measurement limits, 1-3 to 1-5, 1-7
 Thermistors, 4-42
 Thermocouples, 4-42
 Thermoelectric EMFs, 3-3 to 3-6, 3-9, 3-11, 3-19 to 3-23
 current-reversal method, 3-19 to 3-20, *see also* Source reversal
 delta method, 3-20 to 3-22, 4-49
 offset-compensated ohms method, 3-22 to 3-23
 Time drift derating, 1-13 to 1-14
 Transfer stability, 1-13
 Transient temperature effect, 3-10
 Triboelectric effects, 2-11 to 2-12, 2-14, 2-24 to 2-26
 Uncertainty, 1-10
 van der Pauw technique (resistivity measurement), 4-29 to 4-35, 4-51 to 4-53
 Voltage amplifier, 1-16
 Voltage burden, 2-14, 2-28 to 2-30, 2-44 to 2-45
 Voltage coefficient of resistance, 2-37, 4-35 to 4-36
 Voltage measurements
 high resistance sources, 4-2 to 4-8
 low, 3-2 to 3-16, 4-39 to 4-44
 Voltage noise, 1-3
 Voltmeter, 2-3, 3-2
 Water absorption, 2-11 to 2-12, 2-28
 White noise, 3-7
 Zero check, 2-45 to 2-46
 Zero drift, 2-21 to 2-22, 3-9 to 3-10
 Zero hop, 2-46
 Zeroing an instrument, 3-9

Specifications are subject to change without notice.
All Keithley trademarks and trade names are the property of Keithley Instruments, Inc.
All other trademarks and trade names are the property of their respective companies.
Some images courtesy of Zyvex Corporation.

KEITHLEY

A G R E A T E R M E A S U R E O F C O N F I D E N C E

Keithley Instruments, Inc.

Corporate Headquarters • 28775 Aurora Road • Cleveland, Ohio 44139
440-248-0400 • Fax: 440-248-6168 • 1-888-KEITHLEY (534-8453) • www.keithley.com

Belgium: Sint-Pieters-Leeuw • 02-363 00 40 • Fax: 02-363 00 64 • www.keithley.nl

China: Beijing • 8610-82251886 • Fax: 8610-82251892 • www.keithley.com.cn

Finland: Helsinki • 09-5306-6560 • Fax: 09-5306-6565 • www.keithley.com

France: Saint-Aubin • 01-64 53 20 20 • Fax: 01-60 11 77 26 • www.keithley.fr

Germany: Germering • 089/84 93 07-40 • Fax: 089/84 93 07-34 • www.keithley.de

Great Britain: Theale • 0118 929 7500 • Fax: 0118 929 7519 • www.keithley.co.uk

India: Bangalore • 080 2212 8027 • Fax : 080 2212 8005 • www.keithley.com

Italy: Milano • 02-48 39 16 01 • Fax: 02-48 30 22 74 • www.keithley.it

Japan: Tokyo • 81-3-5733-7555 • Fax: 81-3-5733-7556 • www.keithley.jp

Korea: Seoul • 82-2-574-7778 • Fax: 82-2-574-7838 • www.keithley.com

Netherlands: Gorinchem • 0183-635333 • Fax: 0183-630821 • www.keithley.nl

Singapore: Singapore • 65-6747-9077 • Fax: 65-6747-2991 • www.keithley.com

Sweden: Solna • 08-509 04 600 • Fax: 08-655 26 10 • www.keithley.com

Taiwan: Hsinchu • 886-3-572-9077 • Fax: 886-3-572-9031 • www.keithley.com.tw

Get News You Can Use With

Keithley's e-Newsletters

Get a **free** subscription to Test Patterns and to Test and Measurement Solutions, Keithley's bi-monthly e-newsletters, published on alternate months. Each issue brings you information you can apply to your job every day. By subscribing, you'll gain insight on the latest developments in test and measurement, plus in-depth technical information, product news, links to web seminars and trade shows, and special offers.



Visit www.keithley.com/at/027.html today to start your subscription.



Specifications are subject to change without notice.

All Keithley trademarks and trade names are the property of Keithley Instruments, Inc.
All other trademarks and trade names are the property of their respective companies.

KEITHLEY

A GREATER MEASURE OF CONFIDENCE

Keithley Instruments, Inc.

Corporate Headquarters • 28775 Aurora Road • Cleveland, Ohio 44139 • 440-248-0400 • Fax: 440-248-6168 • 1-888-KEITHLEY (534-8453) • www.keithley.com

© Copyright 2004 Keithley Instruments, Inc.
Printed in U.S.A.

No. 1559
80440KSI