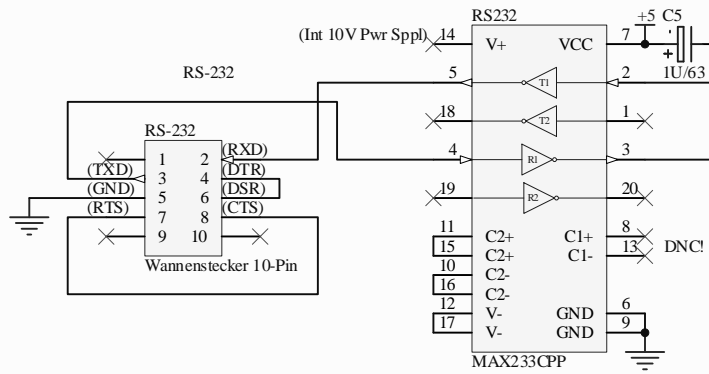
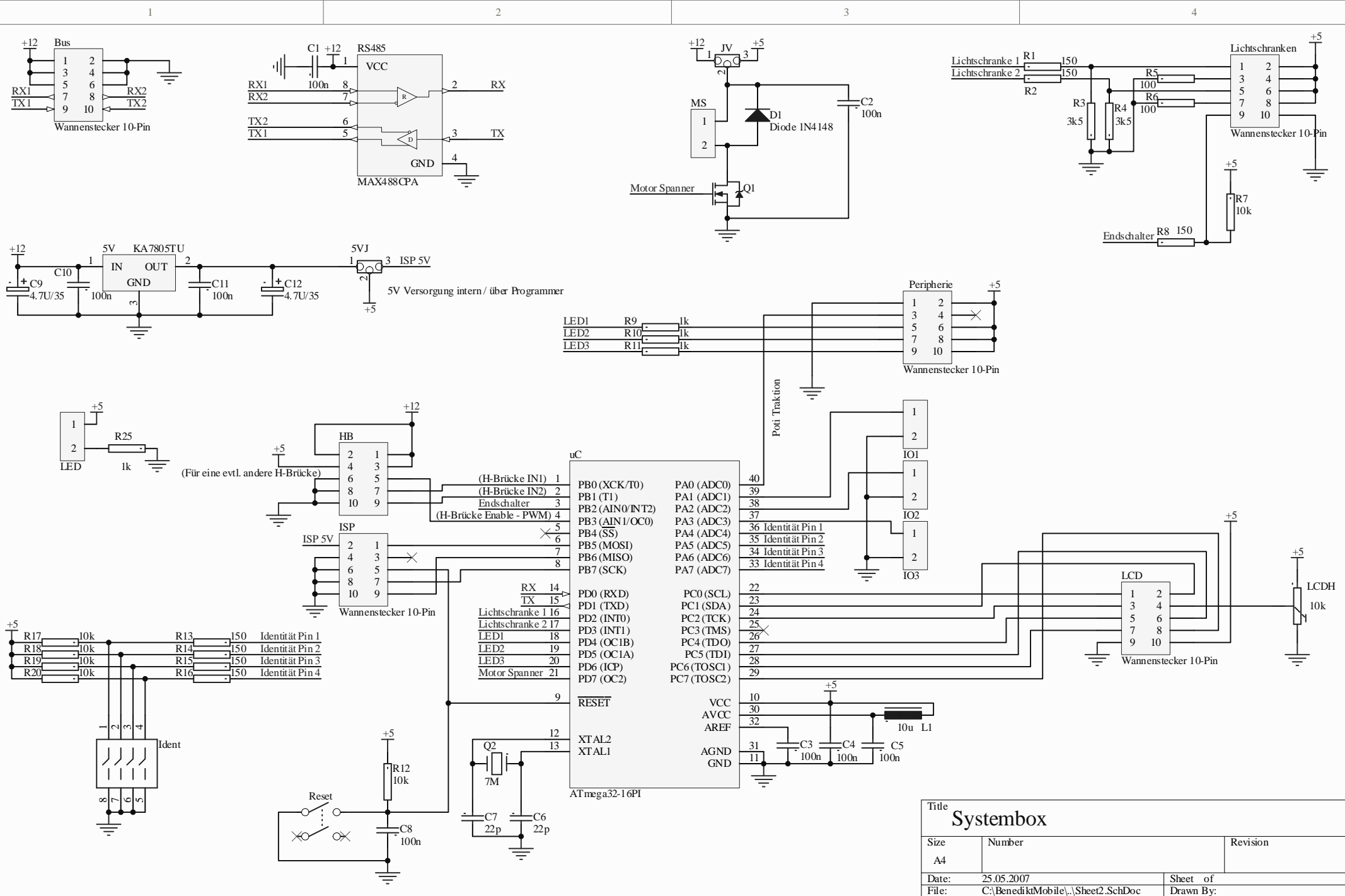


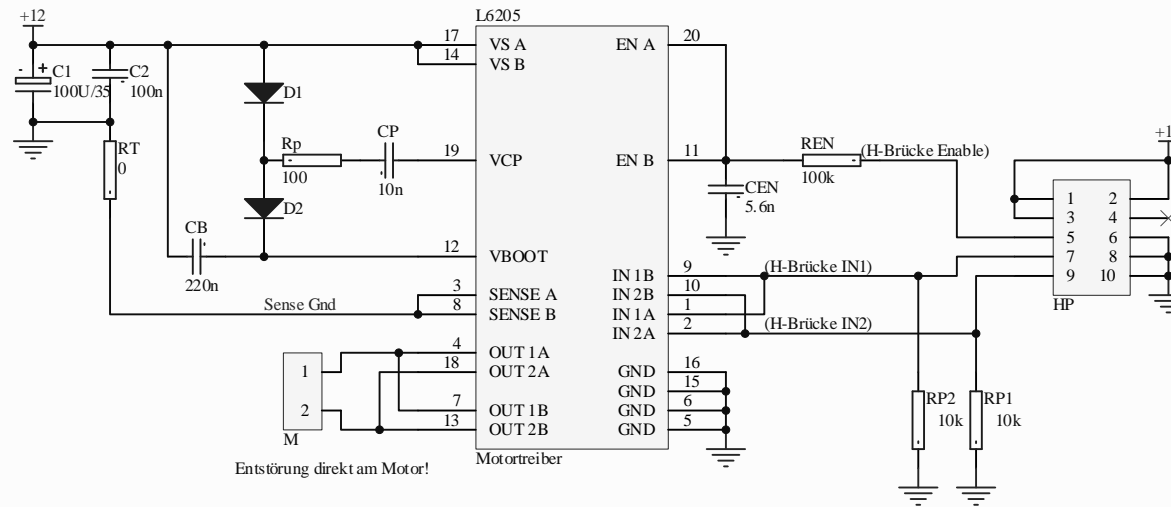
Leitungsabschluss mit je 120R als eigene RJ45 Stecker (2x)



Title <b>Busumsetzerbox</b>		
Size A4	Number	Revision
Date:	25.05.2007	Sheet of
File:	C:\Benedikt\Mobile\...\Sheet1.SchDoc	Drawn By:



Title <b>Systembox</b>		
Size A4	Number	Revision
Date: 25.05.2007	Sheet of	
File: C:\Benedikt\Mobile\...\Sheet2.SchDoc	Drawn By:	



Title <b>H-Brücke / Motortreiber</b>		
Size A4	Number	Revision
Date: 25.05.2007	Sheet of	
File: C:\Benedikt\Mobile\...\Sheet4.SchDoc	Drawn By:	