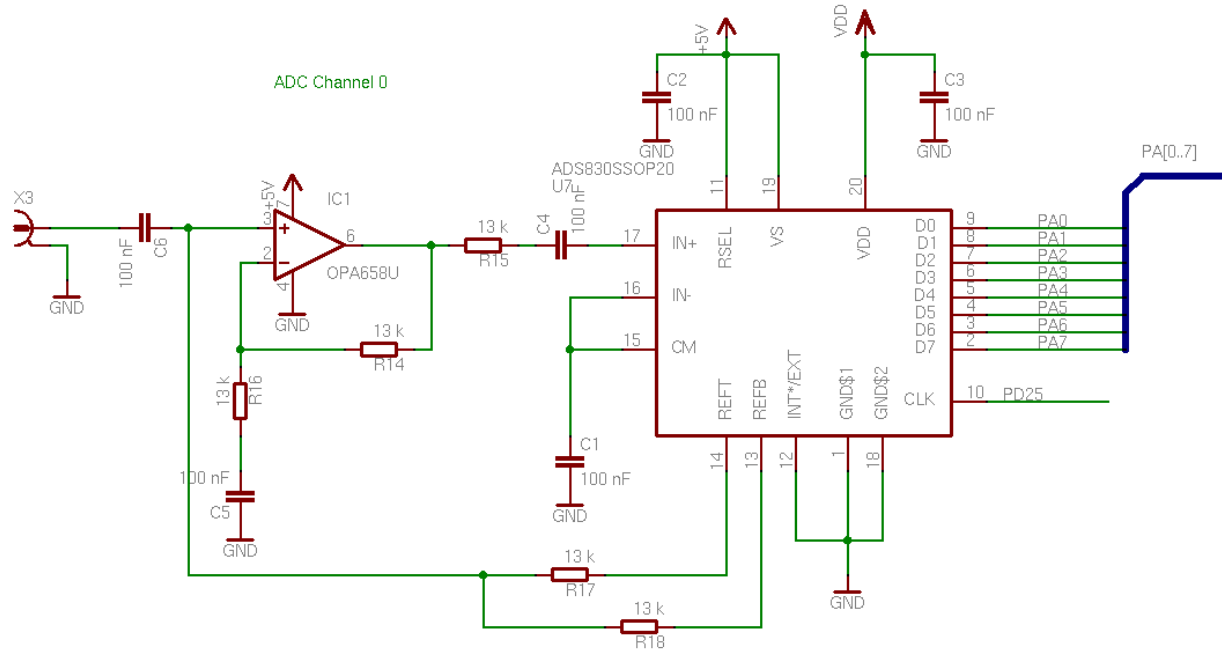


TITLE: dpropeller	
Document Number:	REV:
Date: 6/03/2007 19:06:28	Sheet: 1/4



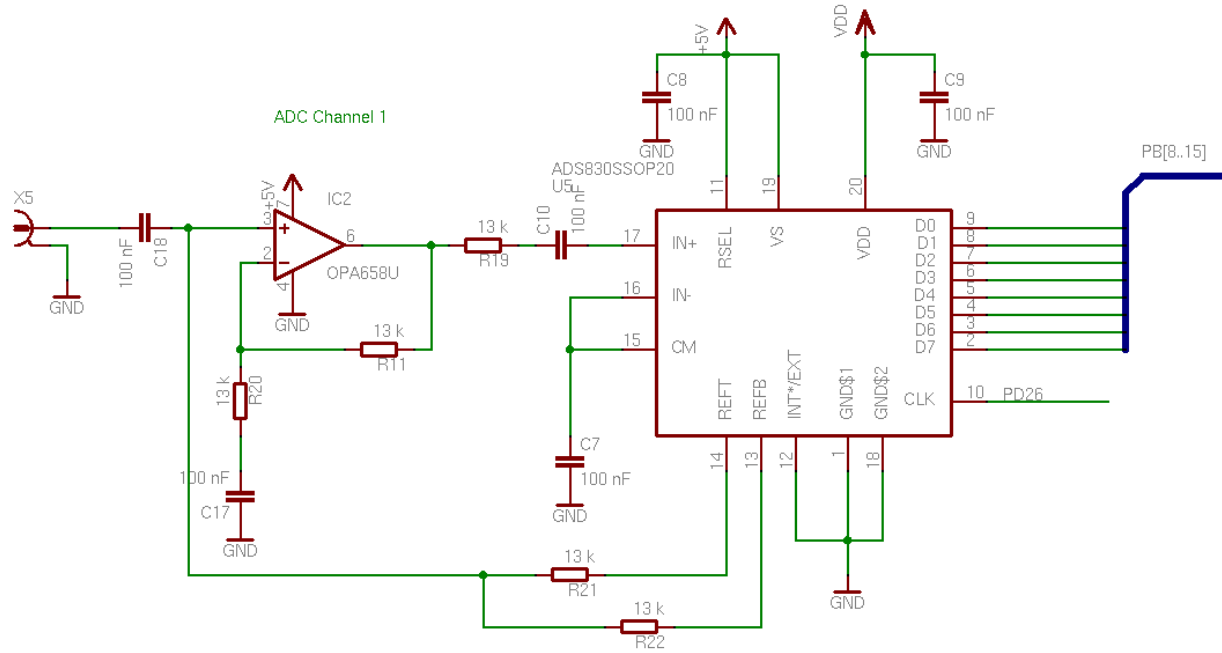
TITLE: dpropeller

Document Number:

REV:

Date: 6/03/2007 19:06:28

Sheet: 2/4



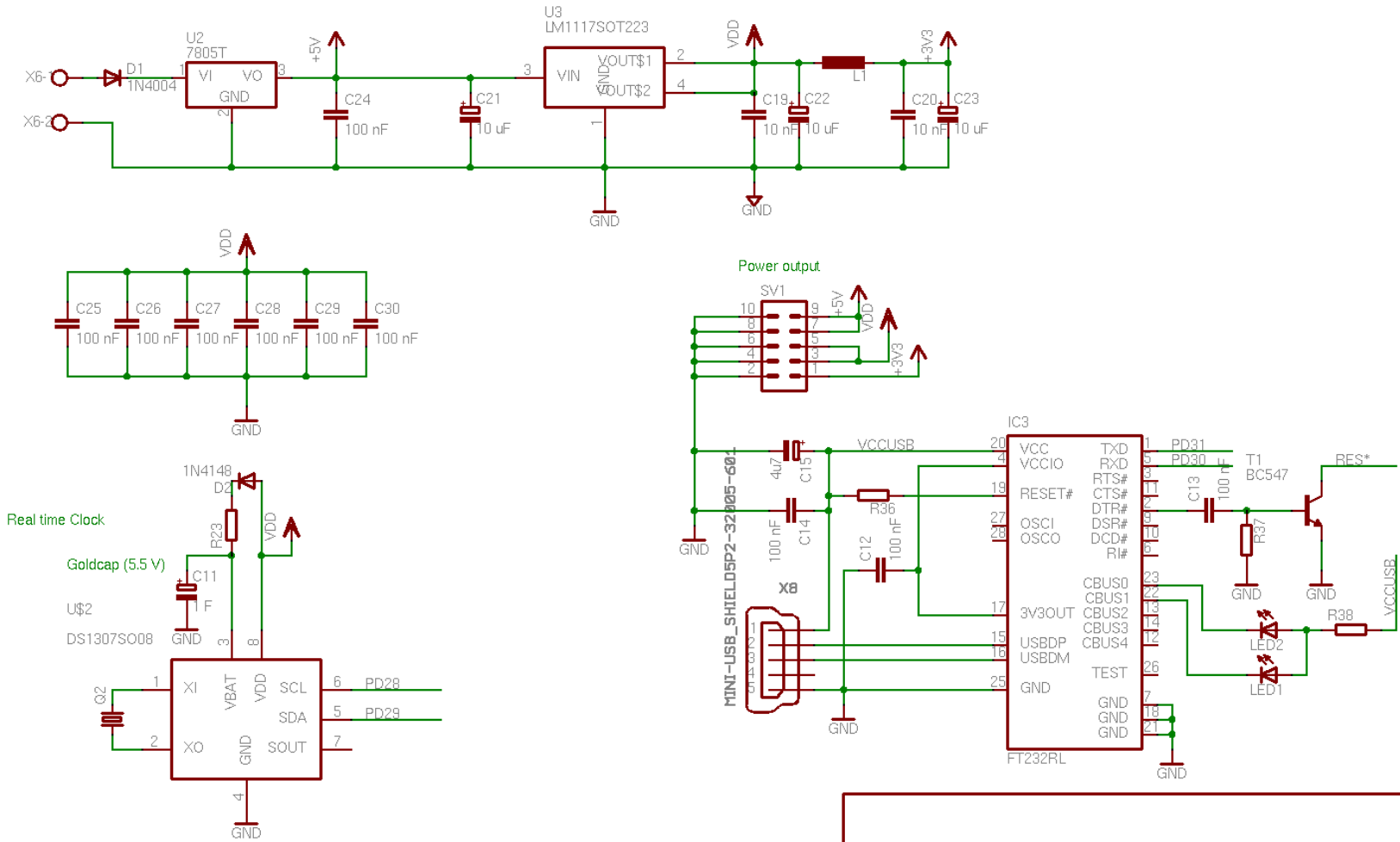
TITLE: dpropeller

Document Number:

REV:

Date: 6/03/2007 19:06:28

Sheet: 3/4



TITLE: dpropeller	
Document Number:	REV:
Date: 6/03/2007 19:06:28	Sheet: 4/4

Drawn by Ale hppacito@yahoo.com