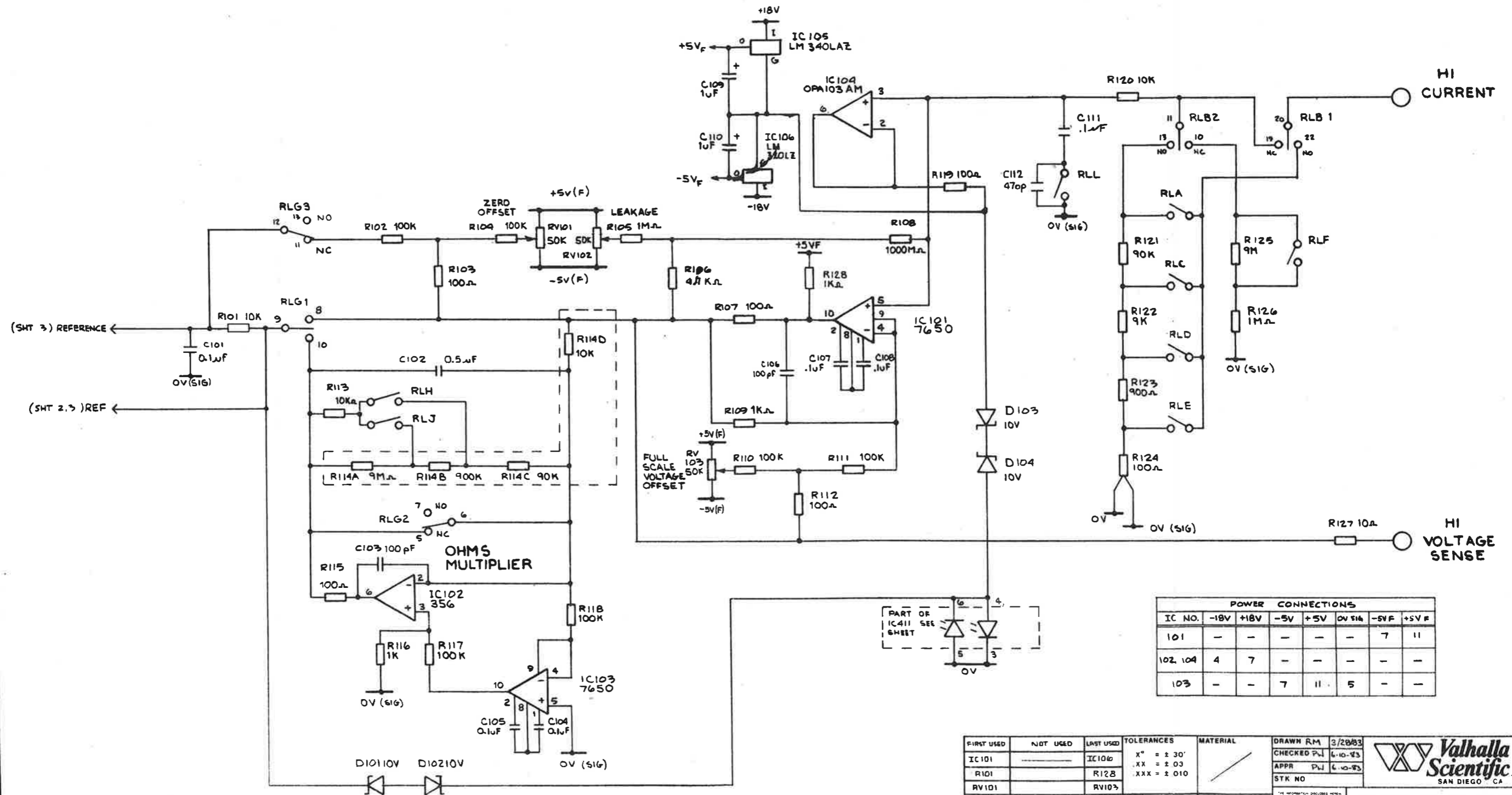


NOTES: (UNLESS OTHERWISE SPECIFIED)
 1. FOR ASSY OF P.C.B. SEE 2724-700.

REVISIONS				
ECO	LTR	DESCRIPTION	DATE	APPROVED
0103	C	R101 WAS 1K IS 10K R106 WAS 20K IS 4.7K ADDED R128 DELETED D105 & D106 ADDED C112 C111 WAS .05μF C102 WAS 0.1μF IS 0.5μF	8-11-83	POJ
381	D	CHANGED R317 FROM 250K TO 249K	3-14-84	



POWER CONNECTIONS						
IC NO.	-18V	+18V	-5V	+5V	OV (S16)	+5V F
101	-	-	-	-	-	7 11
102, 104	4	7	-	-	-	-
103	-	-	7	11	5	-

FIRST USED	NOT USED	LAST USED	TOLERANCES	MATERIAL	DRAWN RM	3/28/83
IC101		IC106	X° = ± 30'		CHECKED PW	6-10-83
R101		R128	.XX = ± 03		APPR PW	6-10-83
RV101		RV103	.XXX = ± 010		STK NO	
C101		C112	BREAK ALL SHARP CORNERS AND EDGES. MACH SURFACES	FINISH	 Valhalla Scientific Inc. SAN DIEGO, CA	
D101		D106	64		ACTIVE OHMS SCHEMATIC 2724A	
RLA	RLK	RLL			SCALE	CODE IDENT
					1 OF 7	53504
						SIZE
						DRAWING NO
						2724-070
						REV
						D