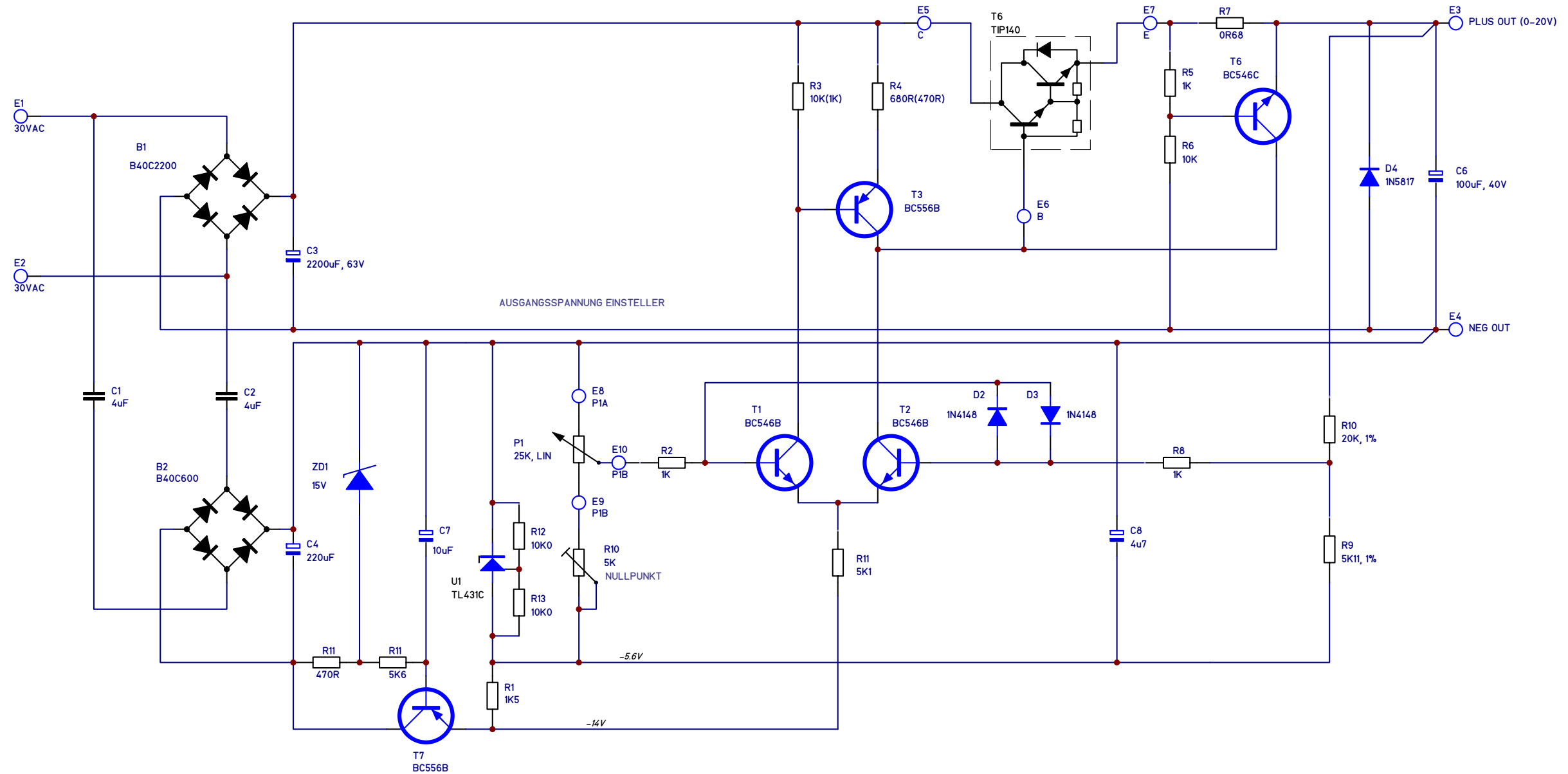


KONSTANTER STEUER PLATINE



Unless otherwise specified, all values are as follows: resistor values are in Ohms, i.e. 0R47, 5R6, 220, 5K6, 22K capacitor values are in Microfarads, i.e. 220p, 0u1, 2u2, 33 inductor values are in Microhenries, i.e. 0u22, 5u6, 68, 2m2		PCB Name: KONSTANTER			Title: KONSTANTER 0-20V 1A MAX		
		PCB Nr.: 6000-0021			Used in: <i>Klein Netzgeraet</i>		
This drawing is our property. Duplication, unauthorized use of any kind is prohibited. Without Approval use only for inquiry.		Approval:		PCB Type: <i>FR4 1L 0SM 0LL 1.6mm</i>		Scale: <i>SCH</i>	
		Date: <i>28-Jan-2015</i> Name: <i>GJO</i>		Change Index: <i></i> Change Notification Nr.: <i></i>		Date: <i></i> Name: <i></i>	
Drawn: <i>28-Jan-2015</i> Modified: <i></i> Checked: <i></i>		Date: <i></i> Name: <i></i>		Date: <i></i> Name: <i></i>		Drw. Type: <i>PCB SCHEMATIC</i> Size: A3 Rev: 2.04	
<input checked="" type="checkbox"/> Prototype <input type="checkbox"/> Production <input type="checkbox"/> BOM Done?		Repl. for: <i>N/A</i>		Prj. Nr: 15005G		Drw. Nr: 4415-0021	
				File: <i>Simple_LNG_R1.sch</i>		Sheet <i>1</i> of <i>1</i>	