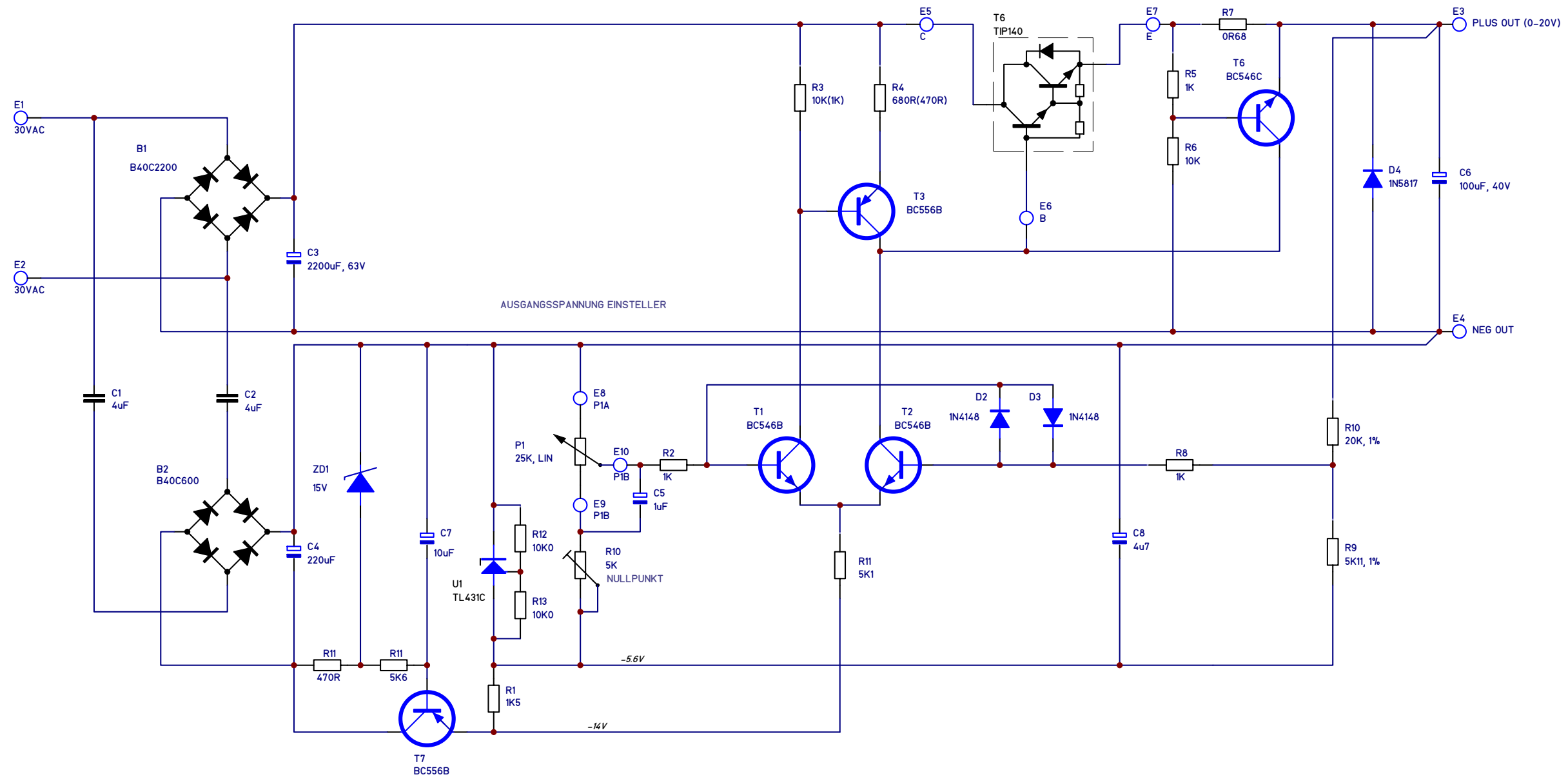


KONSTANTER STEUER PLATINE



<p>Unless otherwise specified, all values are as follows: resistor values are in Ohms, i.e. 0R47, 5R6, 220, 5K6, 22K capacitor values are in Microfarads, i.e. 220p, 0u1, 2u2, 33 inductor values are in Microhenries, i.e. 0u22, 5u6, 68, 2m2</p>		PCB Name: KONSTANTER PCB Nr.: 6000-0021 PCB Type: FR4 1L 0SM 0LL 1.6mm		Title: KONSTANTER 0-20V 1A MAX Scale: SCH	
This drawing is our property. Duplication, unauthorized use of any kind is prohibited. Without Approval use only for inquiry.		Approval:		Used in: Klein Netzgeraet Repl.for: N/A Build No.: 1	
Date: 28-Jan-2015 Name: GJO		Change Index: Change Notification Nr.: Date: Name:		Drw. Type: PCB SCHEMATIC Prj. Nr: 15005G	
Drawn: Modified: Checked:		[x] Prototype [] Production <input type="checkbox"/> BOM Done?		Size: A3 Rev: 2.06 Drw. Nr: 4415-0021	
File: Simple_LNG_R1.sch		Sheet 1 of 1			