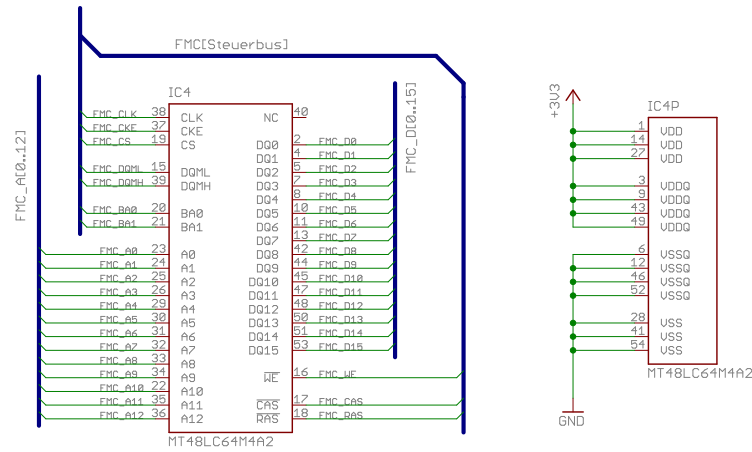
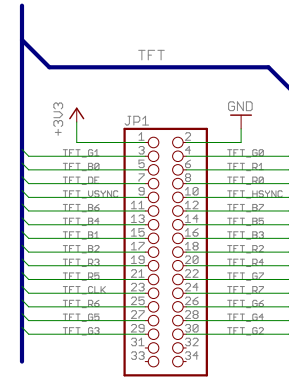


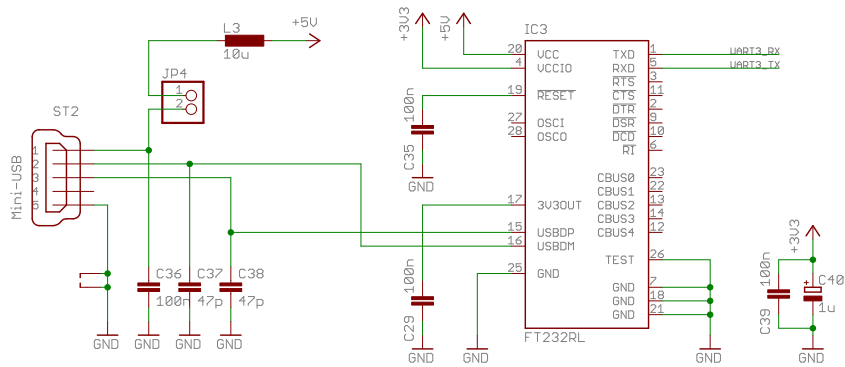
SDRAM



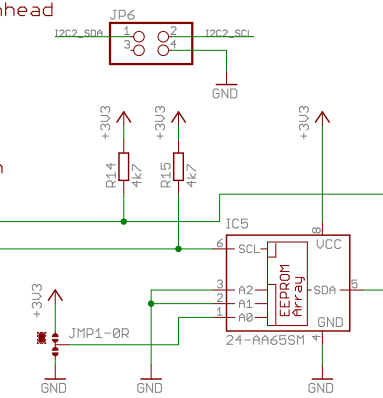
TFT-Pinhead



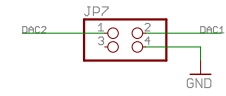
RS232_UART



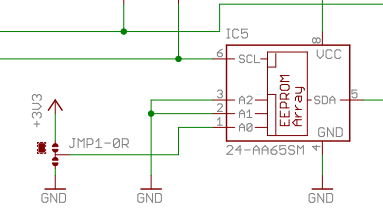
I2C-Pinhead



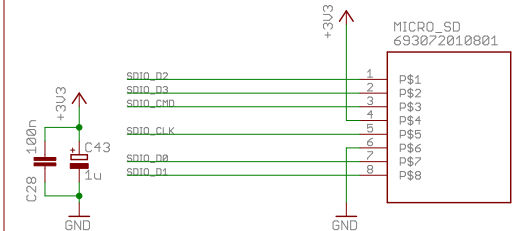
DAC-Pinhead



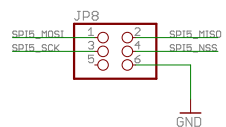
EEProm



SD-Slot



SPI-Pinhead



VA16