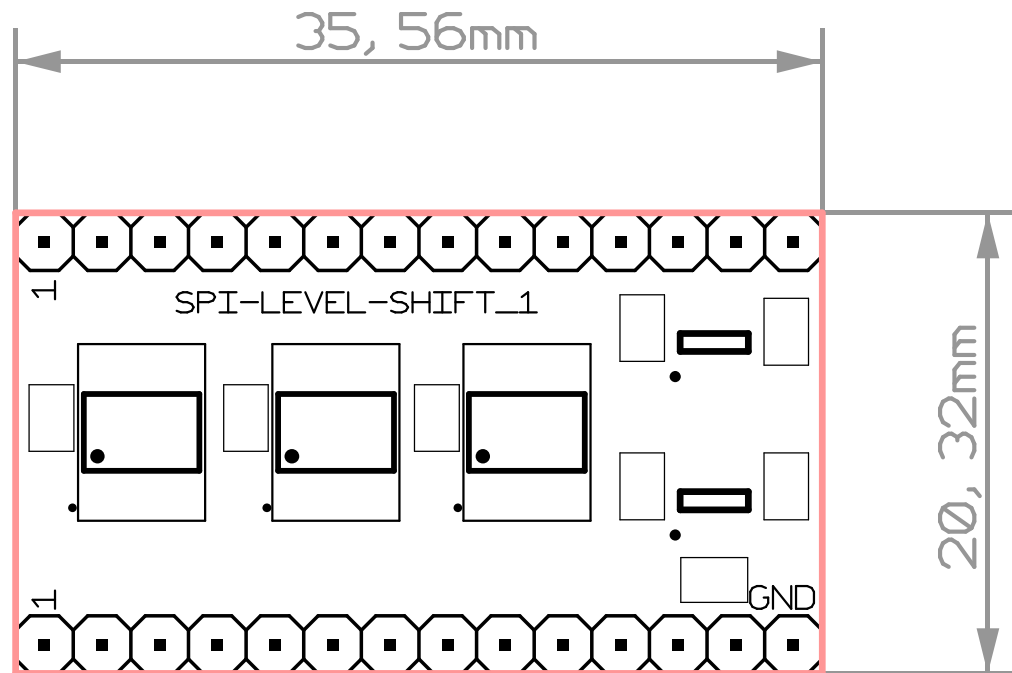
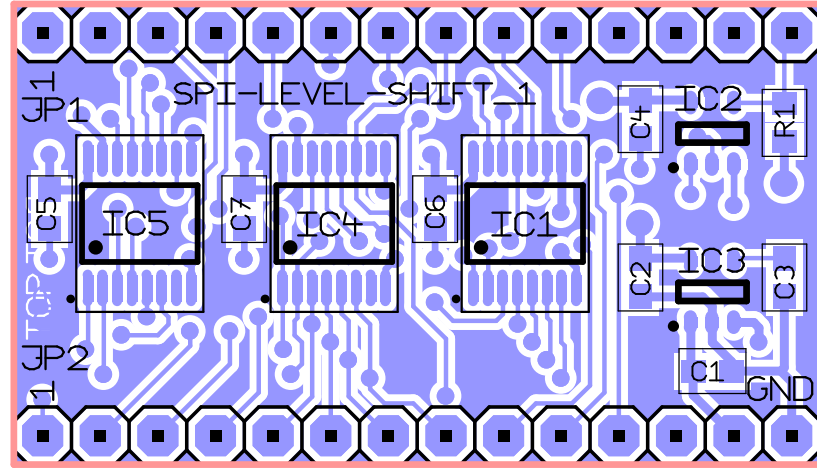
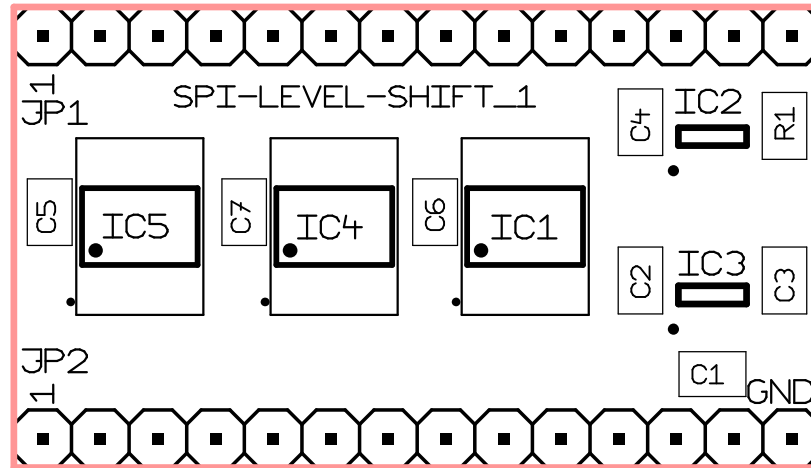


Company		© 2007 mc_sho@gmx.de	
Titel		SPI - Levelshift 1	
Size	Projekt	File	Rev.
A3	TFT-Display	SPI_LEVEL_SHIFT_1	Painter Steffen H. 0.0
Date:	16.01.07 15:12	Sheet	1
Scale	75.46%		







; Stückliste=SPI\_LEVEL\_SHIFT\_1

; Datum=11.Mai.2007 21:56

;

; Author= Steffen H.

;

<b>Pos</b>	<b>Name</b>	<b>Wert</b>	<b>Gehäuse</b>	<b>Digikey</b>
1	C1	1 $\mu$ F/16V	C0603	
2	C2	4,7 $\mu$ F/16V	C0603	
3	C3	1nF	C0603	
4	C4	100nF	C0603	
5	C5	100nF	C0603	
6	C6	100nF	C0603	
7	C7	100nF	C0603	
8	IC1	74LV595APW	TSOP65P640X120-16N	296-3843-1-ND
9	IC2	SN74AHCT1G125	SOT95P280X145-5N	296-4708-1-ND
10	IC3	TPS76428DBV	SOT95P280X145-5N	296-2710-1-ND
11	IC4	74LV165APW	TSOP65P640X120-16N	296-3790-1-ND
12	IC5	74LV165APW	TSOP65P640X120-16N	296-3790-1-ND
13	JP1	PINHD-1X14	1X14	
14	JP2	PINHD-1X14	1X14	
15	R1	4k7	R0603	