

- 22-23-2101 NC
- X201-1 +5V
- X201-2 DGND
- X201-3 RS
- X201-4 D4
- X201-5 D5
- X201-6 D6
- X201-7 D7
- X201-8 BCKLIGHT A
- X201-9
- X201-10

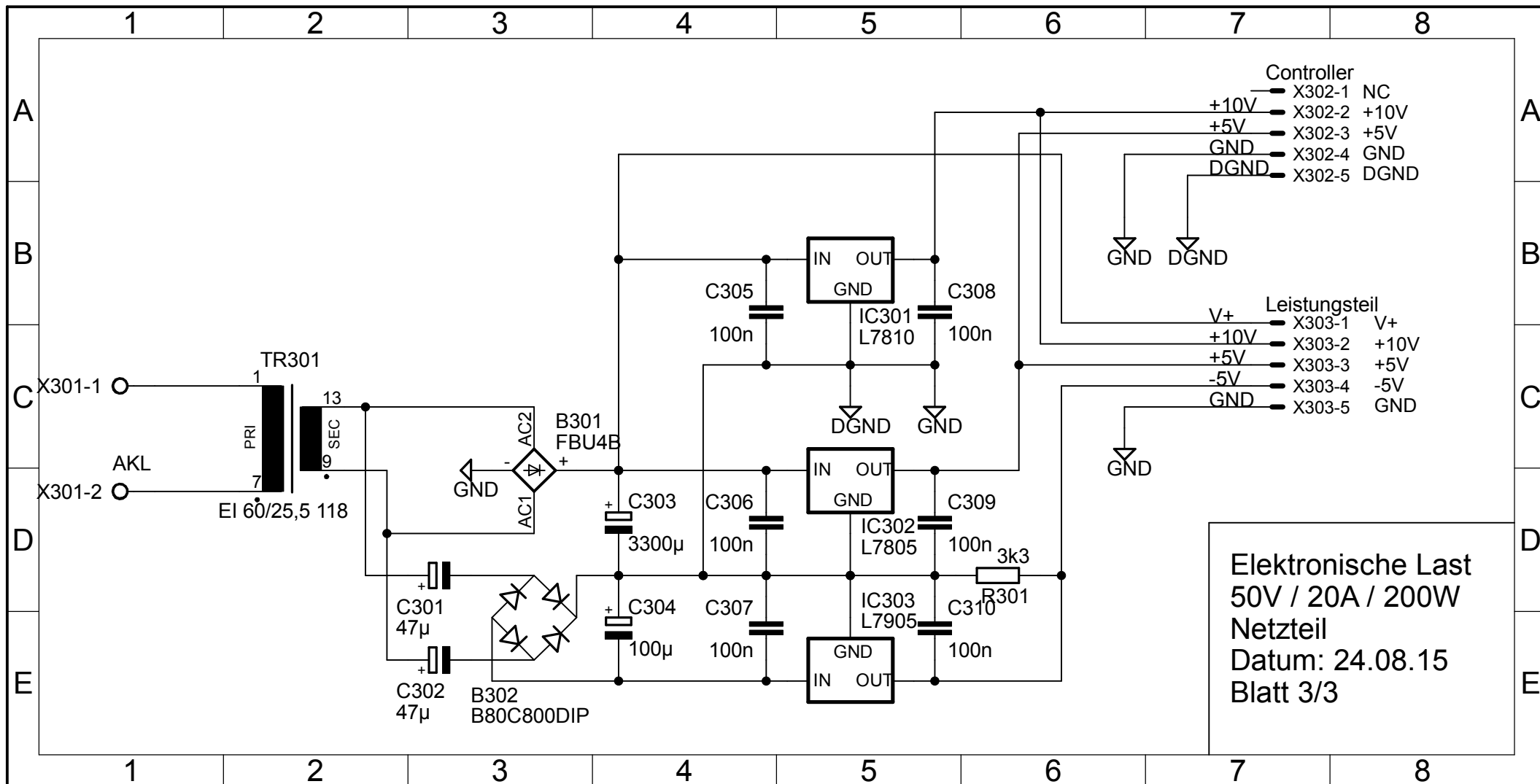
- Netzteil**
- X202-1 +5V
  - X202-2 DGND
  - X202-3 +10V
  - X202-4 GND
  - X202-5 NC

- U-IN**
- X203-1 U-IN
  - X203-2 NC

- Leistungsteil**
- X204-1 FAN
  - X204-2 ISET-INT
  - X204-3 I-FEEDBACK
  - X204-4 TEMP
  - X204-5 INT/EXT

- HighRes**
- X205-1 HRES
  - X205-2 NC

- Frontplatte**
- X206-1 DGND
  - X206-2 ENC-K
  - X206-3 B1
  - X206-4 B2
  - X206-5 B3
  - X206-6 ENC-A
  - X206-7 ENC-B
  - X206-8 NC



Elektronische Last  
 50V / 20A / 200W  
 Netzteil  
 Datum: 24.08.15  
 Blatt 3/3