

JVC

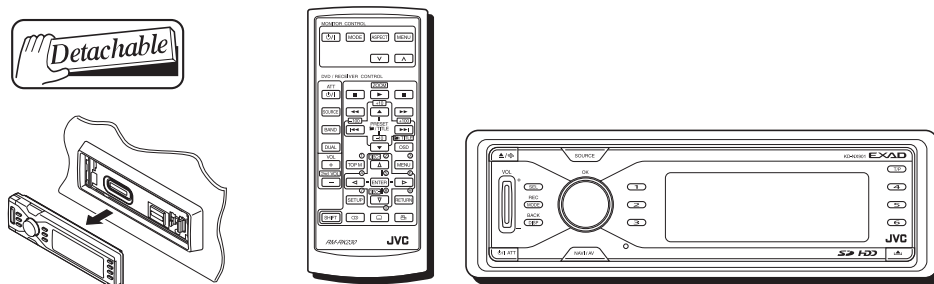
SERVICE MANUAL

HDD NAVIGATION / DVD RECEIVER

KD-NX901

Area suffix

E ----- Southern Europe



Lead free solder used in the board (material : Sn-Ag-Cu, melting point : 219 Centigrade)

TABLE OF CONTENTS

1	PRECAUTIONS	1-4
2	SPECIFIC SERVICE INSTRUCTIONS	1-7
3	DISASSEMBLY	1-8
4	ADJUSTMENT	1-26
5	TROUBLESHOOTING	1-33

SPECIFICATION


NAVIGATION SYSTEM		
System & Service		L1, C/A code Global Positioning System Standard Positioning Service
Reception System		15-channel multi-channel reception system
Reception Frequency		1 575.42 MHz
Sensitivity		-130 dBm
Update Rate		1/second, continuous
GPS Antenna	Polarization	Right Handed Circular Polarization
	Dimensions (approx.)	30.4 mm × 11.7 mm × 35.5 mm (W × H × D)
	Cable (approx.)	5.0 m
	Attachment mat size (approx.)	70 mm × 70 mm
AUDIO AMPLIFIER SECTION		
Maximum Power Output	Front	50 W per channel
	Rear	50 W per channel
Continuous Power Output (RMS)	Front	20 W per channel into 4 Ω, 40 Hz to 20 000 Hz at no more than 0.8% total harmonic distortion.
	Rear	20 W per channel into 4 Ω, 40 Hz to 20 000 Hz at no more than 0.8% total harmonic distortion.
Load Impedance		4 Ω (4 Ω to 8 Ω allowance)
Equalizer Control Range	Frequencies	60 Hz, 150 Hz, 400 Hz, 1 kHz, 2.4 kHz, 6 kHz, 12 kHz
	Level	±10 dB
Signal-to-Noise Ratio		70 dB
Audio output level	Digital (DIGITAL OUT: Optical)	Signal wave length: 660 nm Output level: -21 dBm to -15 dBm
	Line-Out Level/Impedance	2.0 V/20 kΩ load (full scale) Output Impedance: 1 kΩ
Color system		PAL
Video output (composite)		1 Vp-p/75 Ω
Other Terminals		SUBWOOFER OUT, CD changer Steering wheel remote input
TUNER SECTION		
Frequency Range	FM	87.5 MHz to 108.0 MHz
	AM	(MW) 522 kHz to 1 620 kHz (LW) 144 kHz to 279 kHz
FM Tuner	Usable Sensitivity	11.3 dBf (1.0 μV/75 Ω)
	50 dB Quieting Sensitivity	16.3 dBf (1.8 μV/75 Ω)
	Alternate Channel Selectivity (400 kHz)	65 dB
	Frequency Response	40 Hz to 15 000 Hz
	Stereo Separation	40 dB
	Capture Ratio	1.5 dB
MW Tuner	Sensitivity	20 μV
	Selectivity	65 dB
LW Tuner	Sensitivity	50 μV

DVD/CD PLAYER SECTION		
Signal Detection System		Non-contact optical pickup (semiconductor laser)
Number of Channels		2 channels (stereo)
Frequency Response	DVD, fs=48 kHz/96 kHz	16 Hz to 20 000 Hz
	VCD/CD	16 Hz to 20 000 Hz
Dynamic Range		96 dB
Signal-to-Noise Ratio		98 dB
Wow and Flutter		Less than measurable limit
MP3 (MPEG Audio Layer 3)	Max. Bit Rate	320 Kbps
WMA (Windows Media Audio)	Max. Bit Rate	192 Kbps
HDD/SD SECTION		
MP3 (MPEG Audio Layer 3)	Max. Bit Rate	320 kbps
WMA (Windows Media Audio)	Max. Bit Rate	192 kbps
GENERAL		
Power Requirement	Operating Voltage	DC 14.4 V (11 V to 16 V allowance)
Grounding System		Negative ground
Allowable Operating Temperature		0°C to +40°C
Allowable Operating Altitude		-300 m to +3000 m
Dimensions (W × H × D)	Installation Size (approx.)	182 mm × 52 mm × 159 mm
	Panel Size (approx.)	188 mm × 58 mm × 13 mm
Mass (approx.)		2.1 kg (excluding accessories)

Design and specifications are subject to change without notice.

SECTION 1 PRECAUTIONS

1.1 Safety Precautions

 **CAUTION** Burrs formed during molding may be left over on some parts of the chassis. Therefore, pay attention to such burrs in the case of performing repair of this system.

 **CAUTION** Please use enough caution not to see the beam directly or touch it in case of an adjustment or operation check.

1.2 Preventing static electricity

Electrostatic discharge (ESD), which occurs when static electricity stored in the body, fabric, etc. is discharged, can destroy the laser diode in the traverse unit (optical pickup). Take care to prevent this when performing repairs.

1.2.1 Grounding to prevent damage by static electricity

Static electricity in the work area can destroy the optical pickup (laser diode) in devices such as CD players.

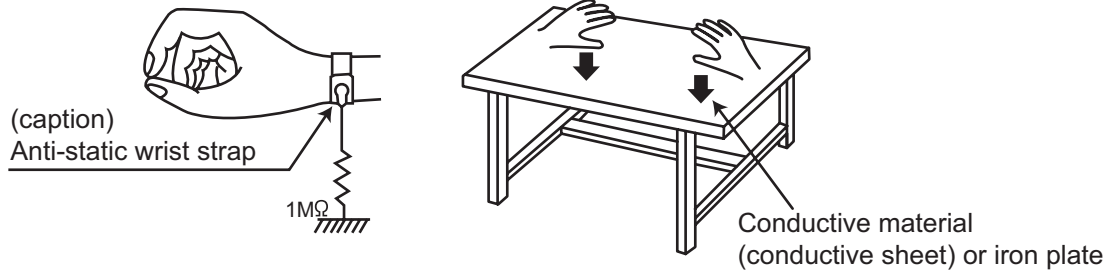
Be careful to use proper grounding in the area where repairs are being performed.

(1) Ground the workbench

Ground the workbench by laying conductive material (such as a conductive sheet) or an iron plate over it before placing the traverse unit (optical pickup) on it.

(2) Ground yourself

Use an anti-static wrist strap to release any static electricity built up in your body.



(3) Handling the optical pickup

- In order to maintain quality during transport and before installation, both sides of the laser diode on the replacement optical pickup are shorted. After replacement, return the shorted parts to their original condition. (Refer to the text.)
- Do not use a tester to check the condition of the laser diode in the optical pickup. The tester's internal power source can easily destroy the laser diode.

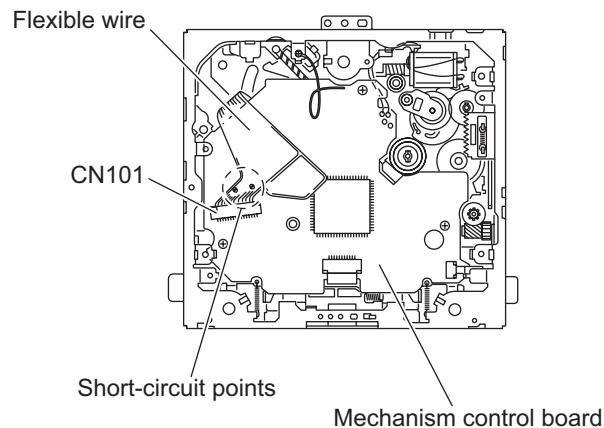
1.3 Handling the traverse unit (optical pickup)

- (1) Before disconnecting the flexible wire from the connector [CN101](#) on the mechanism control board, solder the short-circuit points on the flexible wire.

Caution:

If you do not follow this instruction, the DVD pickup may be damaged.

- (2) Disconnect the flexible wire from the connector [CN101](#) on the mechanism control board.
- (3) Remove the solders from the short-circuit points on the flexible wire after replacing the DVD pickup.
- (4) Connect the flexible wire to the connector [CN101](#) on the mechanism control board.



1.4 Important for laser products

1. CLASS 1 LASER PRODUCT

2. DANGER : Invisible laser radiation when open and interlock failed or defeated. Avoid direct exposure to beam.

3. CAUTION : There are no serviceable parts inside the Laser Unit. Do not disassemble the Laser Unit. Replace the complete Laser Unit if it malfunctions.

4. CAUTION : The CD, MD and DVD player uses invisible laser radiation and is equipped with safety switches which prevent emission of radiation when the drawer is open and the safety interlocks have failed or are defeated. It is dangerous to defeat the safety switches.

5. CAUTION : If safety switches malfunction, the laser is able to function.

6. CAUTION : Use of controls, adjustments or performance of procedures other than those specified here in may result in hazardous radiation exposure.



CAUTION Please use enough caution not to see the beam directly or touch it in case of an adjustment or operation check.

CAUTION : Visible and invisible laser radiation when open and interlock failed or defeated.

AVOID DIRECT EXPOSURE TO BEAM.

ADVARSEL : Synlig og usynlig laserstråling når maskinen er åben eller interlocken fejler. Undgå direkte eksponering til stråling.

VARNING : Synlig och osynlig laserstråling när den öppnas och spärren är urkopplad. Betrakta ej strålen.

VARO : Avattaessa ja suojalukitus ohitettuna tai viallisena olet alttiina näkyvälle ja näkymättömälle lasersäteilylle. Vältä säteen kohdistumista suoraan itseesi.

REPRODUCTION AND POSITION OF LABELS

WARNING LABEL



CAUTION : Visible and Invisible laser radiation when open and interlock failed or defeated. AVOID DIRECT EXPOSURE TO BEAM.	ADVARSEL : Synlig og usynlig laserstråling når maskinen er åben eller interlocken fejler. Undgå direkte eksponering til stråling.	VARNING : Synlig och osynlig laserstråling när den öppnas och spärren är urkopplad. Betrakta ej strålen.	VARO : Avattaessa ja suojalukitus ohitettuna tai viallisena olet alttiina näkyvälle ja näkymättömälle lasersäteilylle. Vältä säteen kohdistumista suoraan itseesi.
(e)	(d)	(s)	(f)

SECTION 2 SPECIFIC SERVICE INSTRUCTIONS

This service manual does not describe SPECIFIC SERVICE INSTRUCTIONS.

SECTION 3 DISASSEMBLY

3.1 Main body section

3.1.1 Removing the front panel assembly (See Fig1)

- (1) Push the detach button in the lower right part of the front panel assembly.
- (2) Remove the front panel assembly.

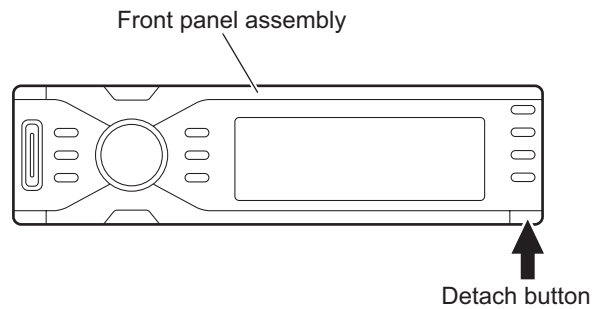


Fig.1

3.1.2 Removing the heat sink (See Fig.2)

- (1) From the left side of the main body, remove the two screws **A** and three screws **B** attaching the heat sink.

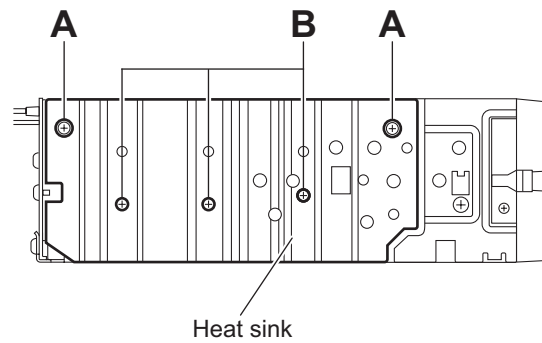


Fig.2

3.1.3 Removing the top chassis assembly (See Figs.3 to 6)

- Prior to performing the following procedure, remove the front panel assembly, heat sink.

Reference:

Remove the front panel assembly as required.

- (1) From the bottom side of the main body, remove the two screws **C** and screw **D** attaching the top chassis assembly to the bottom chassis assembly. (See Fig.3)
- (2) From the both and rear sides of the main body, remove the six screws **E** attaching the top chassis assembly to the bottom chassis assembly. (See Figs.4 to 6)
- (3) Lift the top chassis assembly in the direction of the arrow, and disconnect top chassis assembly from the connector **CN601** on the main board. (See Figs.3 and 6)
- (4) Take out the top chassis assembly from the bottom chassis assembly.

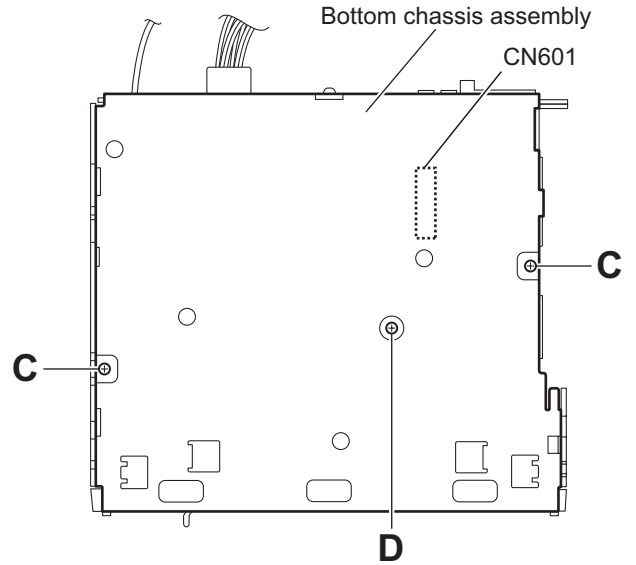


Fig.3

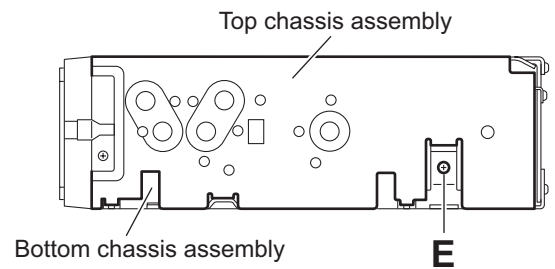


Fig.4

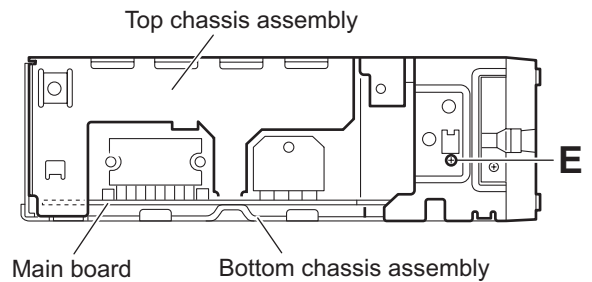


Fig.5

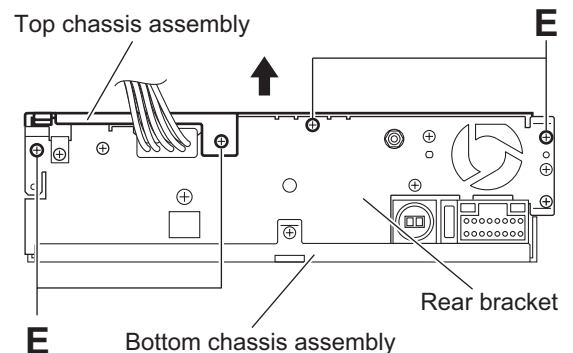


Fig.6

3.1.4 Removing the front chassis assembly (See Figs.7 to 9)

- Prior to performing the following procedure, remove the front panel assembly, heat sink and top chassis assembly.
 - (1) From the both sides of the top chassis assembly, remove the two screws **F** attaching the front chassis assembly. (See Figs.7 and 8)
 - (2) From the front sides of the top chassis assembly, remove the three screws **G** attaching the front chassis assembly. (See Fig.9)
 - (3) Take out the front chassis assembly from the top chassis.

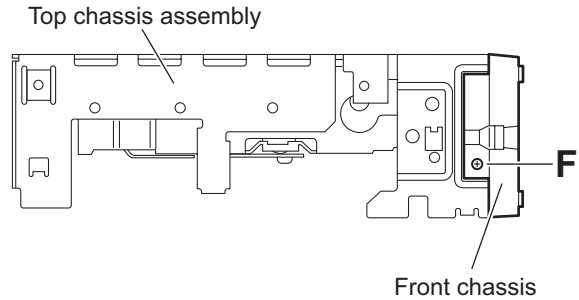


Fig.7

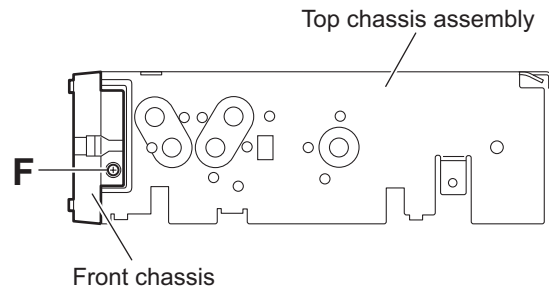


Fig.8

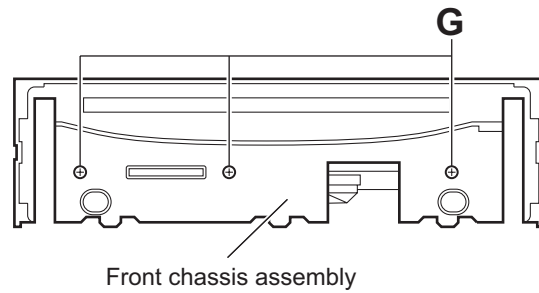


Fig.9

3.1.5 Removing the CPU board (See Figs.10 and 11)

- Prior to performing the following procedure, remove the front panel assembly, heat sink and top chassis assembly.
 - (1) From the inside of the top chassis assembly, remove the four screws **H** attaching the CPU case (bottom). (See Fig.10)
 - (2) Release the lock of the connector **CN561** on the CPU board, disconnect the card wire from the connector **CN561**. (See Fig.11)
 - (3) Release the lock of the connector **CN531** on the CPU board, disconnect the card wire from the connector **CN531**. (See Fig.11)
 - (4) Take out the CPU board from the top chassis assembly.

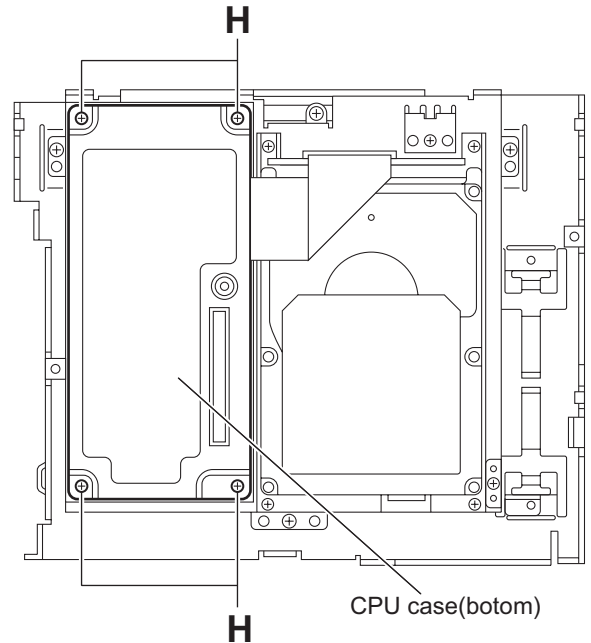


Fig.10

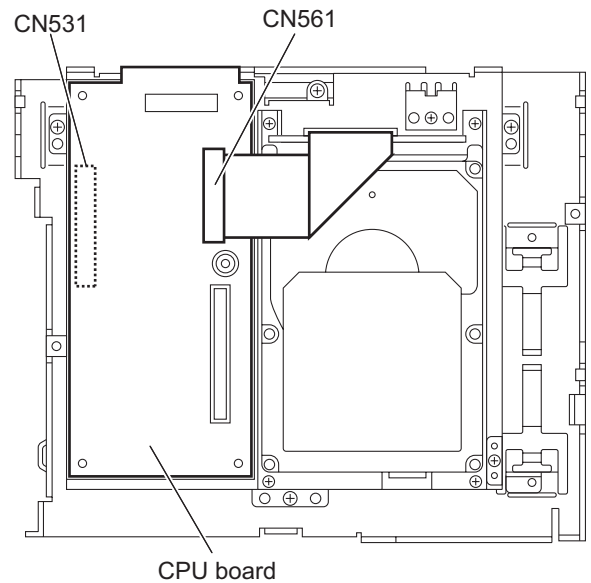


Fig.11

3.1.6 Removing the HDD (See Fig.12)

- Prior to performing the following procedure, remove the front panel assembly, heat sink and top chassis assembly.
 - (1) From the inside of the top chassis assembly, remove the four screws **J** attaching the HDD.
 - (2) Release the lock of the connector [CN562](#) on the HDD, disconnect the card wire from the connector [CN562](#).
 - (3) Take out the HDD from the top chassis assembly.

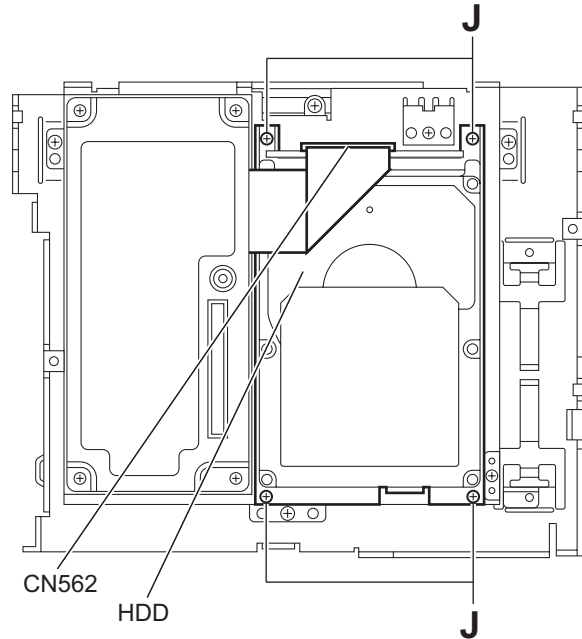


Fig.12

3.1.7 Removing the DVD (See Fig.13)

- Prior to performing the following procedure, remove the front panel assembly, heat sink, front chassis assembly and top chassis assembly.
 - (1) From the inside of the top chassis assembly, remove the three screws **K** attaching the DVD.
 - (2) Take out the DVD from the top chassis assembly.

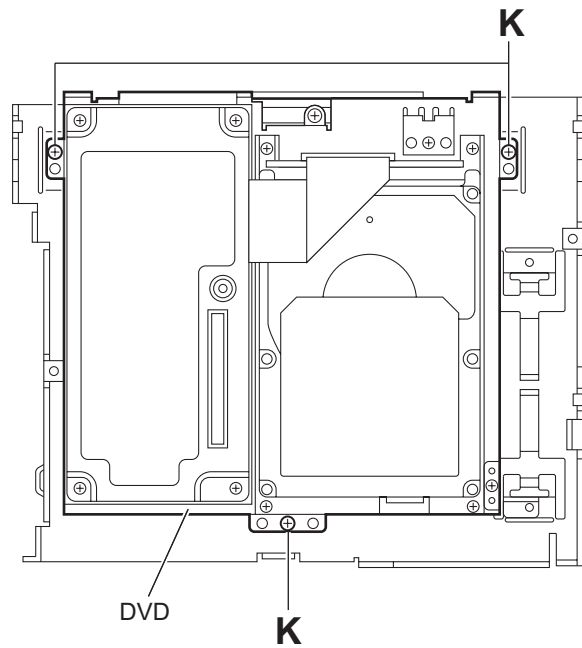


Fig.13

3.1.8 Removing the main board (See Figs.14 and 15)

- Prior to performing the following procedure, remove the front panel assembly, heat sink and top chassis assembly.
 - (1) From the rear side of the bottom chassis assembly, remove the screws **M** and **N** attaching the rear bracket to the bottom chassis assembly. (See Fig.14)
 - (2) From the top side of the bottom chassis assembly, remove the four screws **P** attaching the main board to the bottom chassis assembly. (See Fig.15)
 - (3) Release the stopper of the connector [CN751](#) on the main board in an upward direction, disconnect the card wire from the connector [CN751](#). (See Fig.15)
 - (4) Disconnect the wire from the connectors [CN391](#) and [CN705](#) on the main board. (See Fig.15)

Reference:

After connecting the wires, fix the wires with the wire holder.

- (5) Take out the main board from the bottom chassis assembly.

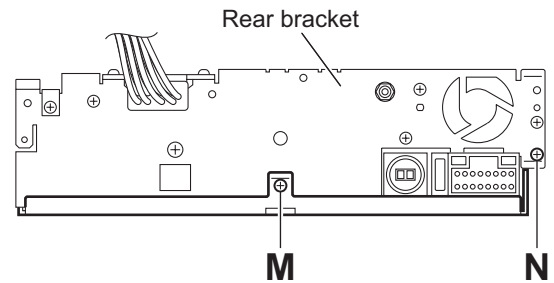


Fig.14

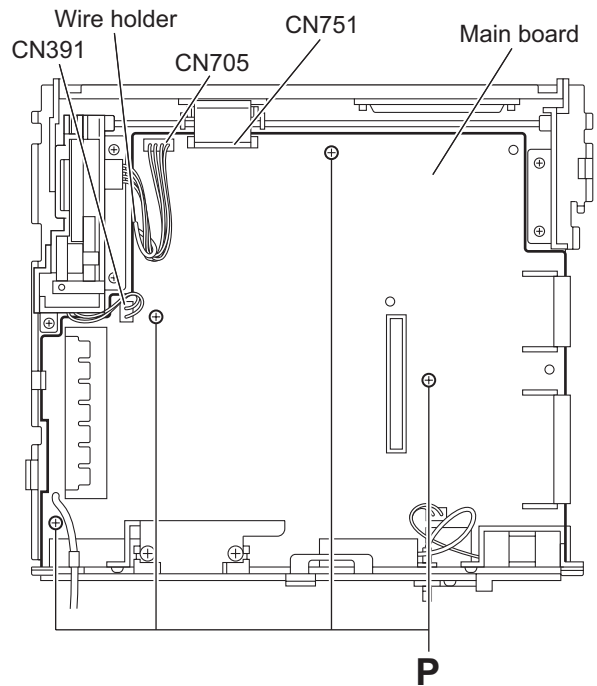


Fig.15

3.1.9 Removing the rear bracket (See Figs.16 and 17)

- Prior to performing the following procedure, remove the front panel assembly, heat sink, top chassis assembly and main board.
 - (1) Remove the two screws **Q** attaching the wire holder to the rear bracket. (Figs.16)
 - (2) From the rear side of the main board, remove the wires from the rear bracket in the direction of the arrow. (See Fig.17)
 - (3) Remove the two screws **R** and screws **S** and **U** attaching the rear bracket to the main board. (Figs.17)
 - (4) Remove the nut **T** attaching the GPS antenna terminal. (See Fig.17)
 - (5) Disconnect the wire from the connector **CN381** on the main board. (See Fig.16)
 - (6) Take out the main board from the bottom chassis assembly.

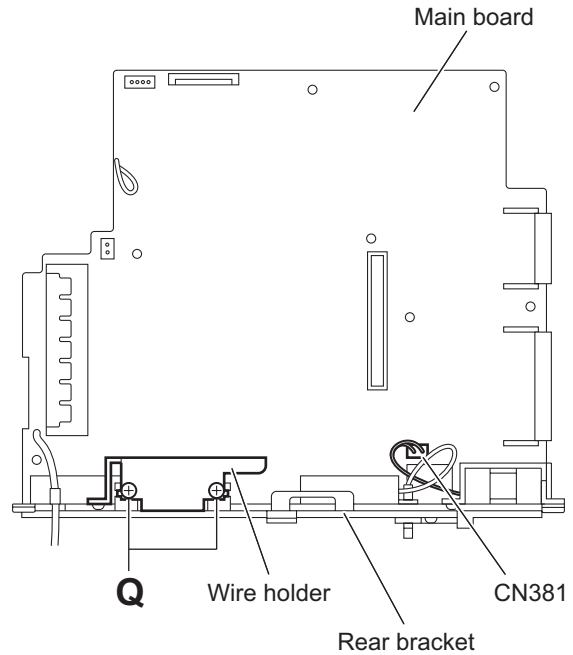


Fig.16

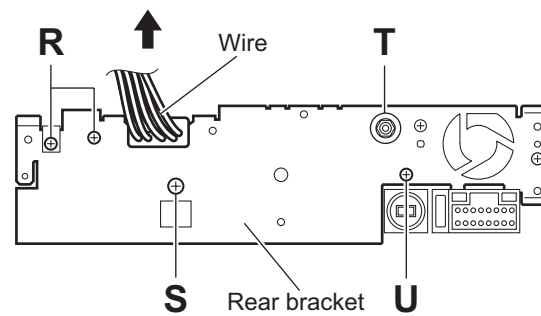


Fig.17

3.1.10 Removing the gear bracket unit (See Fig.18)

- Prior to performing the following procedure, remove the front panel assembly, heat sink, top chassis assembly and main board.

- (1) From the top side of the bottom chassis assembly, remove the screw **V** attaching the FPC guide.
- (2) Remove the five screws **W** attaching the gear bracket unit to the bottom chassis.

Reference:

When attaching the screws **V** and **W**, apply a locking agent them.

- (3) Take out the gear bracket unit from the bottom chassis.

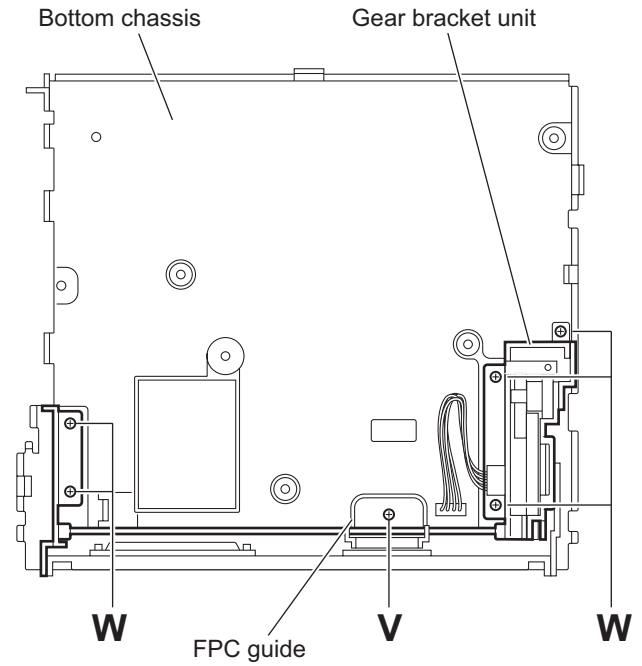


Fig.18

3.1.11 Removing the switch board (See Figs.19 to 21)

- Prior to performing the following procedure, remove the front panel assembly.
 - (1) From the rear side of the front panel assembly, remove the five screws **X** attaching the rear cover assembly to the front panel assembly. (See Fig.19)
 - (2) Release the eight joints **a** of the front panel assembly and remove the rear cover assembly. (See Fig.20)
 - (3) Take out the switch board from the front panel assembly. (See Fig.21)

Caution:

Take care not to lose the spring.

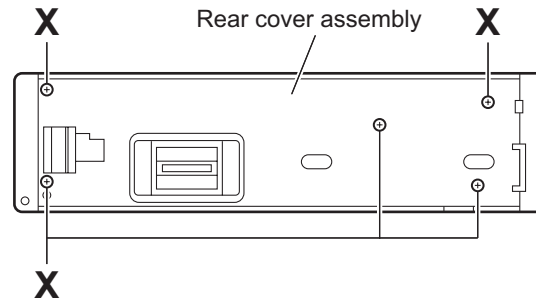


Fig.19

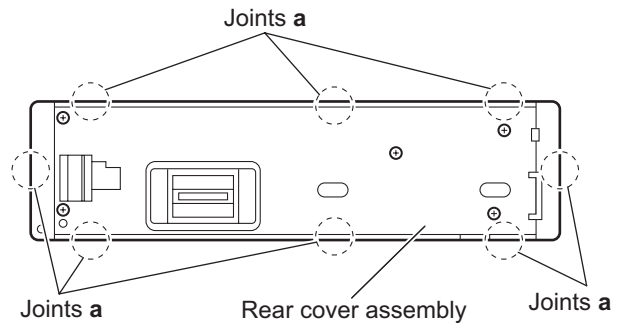


Fig.20

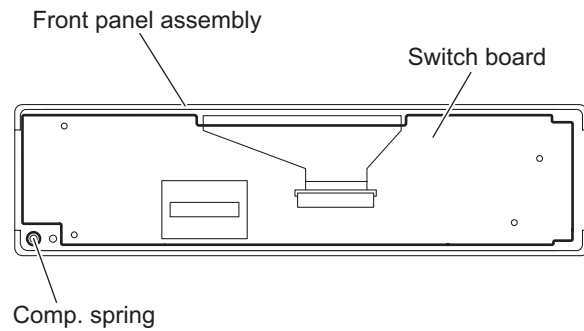


Fig.21

3.2 DVD mechanism assembly

3.2.1 Removing the chassis assembly

(See Fig.1)

- (1) Remove the screw **A** attaching the lug wire.
- (2) Remove the six screws **B** attaching the chassis assembly.
- (3) Remove the chassis assembly.

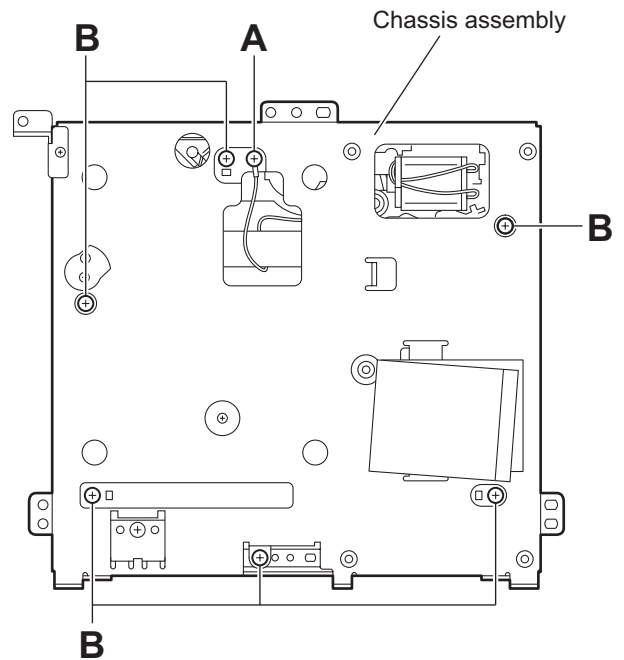


Fig.1

3.2.2 Removing the mechanism control board

(See Fig.2)

Caution:

Before disconnecting the flexible wire extending from the DVD pickup, solder the short-circuit point on the flexible wire using a grounding soldering iron. If you do not follow this instruction, the DVD pickup may be damaged.

- (1) Turn over the body, and solder the short-circuit points on the flexible wire extending from the DVD pickup.
- (2) Disconnect the flexible wire from connector [CN101](#) on the mechanism control board.
- (3) Disconnect the card wire from connector [CN201](#) on the mechanism control board.
- (4) Disconnect the flexible wire from connector [CN202](#) on the mechanism control board.
- (5) Unsolder two soldered points **a** on the mechanism control board and remove the wire extending from the feed motor.
- (6) Remove the two screws **C** and screw **D** attaching the mechanism control board.

Caution:

- As the flexible wire to be connected to [CN101](#), make sure to attach it to the mechanism control board using a double tape.
- After reassembling, unsolder the short-circuit points.

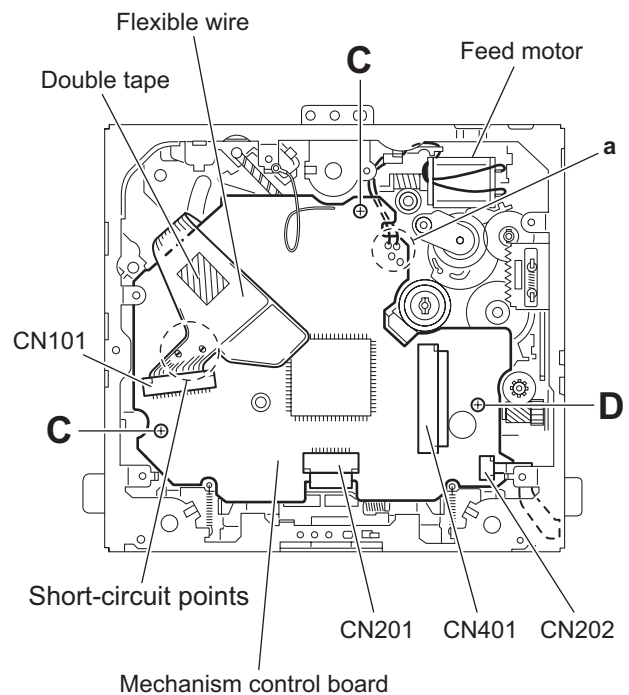


Fig.2

3.2.3 Removing the top cover (See Fig.3)

- (1) Remove the two screws **E** attaching the top cover on the back of the body.
- (2) Remove the top cover upward.

Reference:

When reassembling, set part **b** of the top cover under the bending part **c** of the chassis frame.

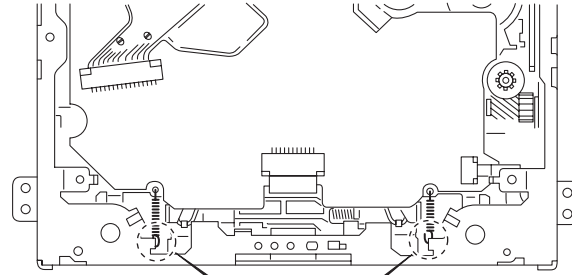
3.2.4 Removing the mechanism section (See Figs.3 to 5)

- Remove the top cover.
 - (1) From the bottom of the body, remove the screw **E** attaching the lug wire. (See Fig.3)
 - (2) Remove the two screws **F** attaching the right and left stoppers on the front side. (See Fig.3)
 - (3) Remove the two floating springs on the bottom of the body. (See Fig.4)
 - (4) Move the mechanism section upward and remove from the chassis frame.

The three damper springs come off from the dampers. (See Fig.5)

Caution:

- When reassembling, reattach the damper spring to the damper respectively and insert the three shafts on the bottom of the mechanism to the dampers.
- Before inserting the shaft to the dampers, apply IPA to the hole of damper.



Floating spring

Fig.4

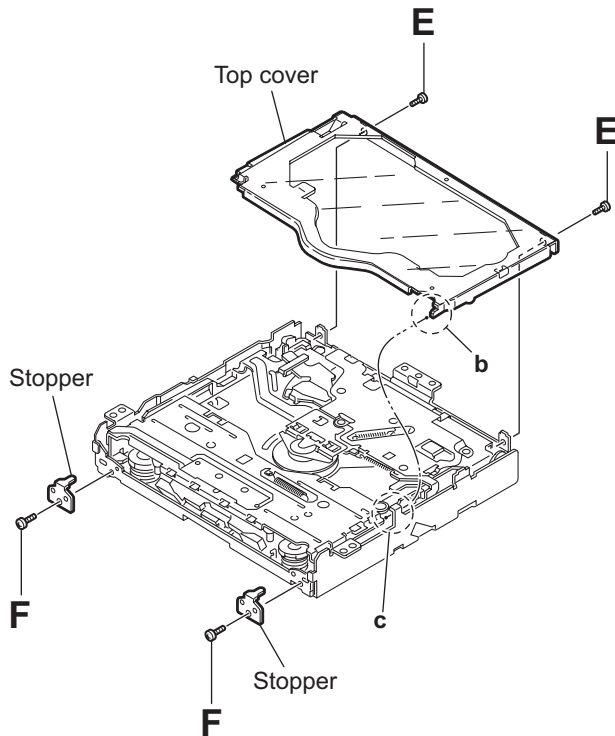


Fig.3

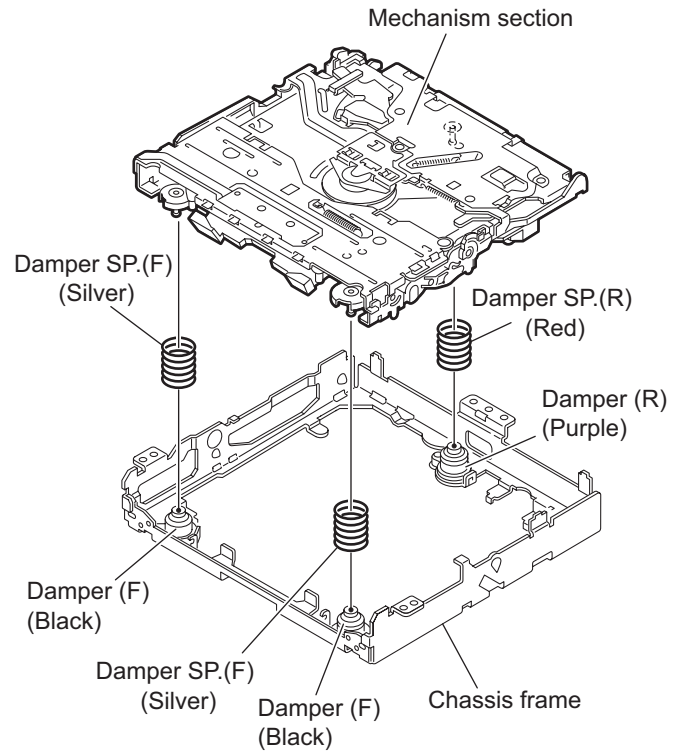


Fig.5

3.2.5 Removing the clamper unit (See Figs. 6 to 10)

- Remove the top cover and the mechanism section.
 - Remove the clamper2 spring on the bottom of the mechanism section. (See Figs.6.and 10)
 - Release the part **d** of the clamper spring from the bending part of the chassis base assembly. (See Fig.8)
 - Move the clamper unit in the direction of the arrow and turn. Release the two joints **e** and **f**, then remove the clamper unit upward. (See Fig.6)

3.2.6 Reattaching the clamper unit (See Figs. 6 to 10)

- Attach the clamper spring to the clamper unit. (See Fig.9)
- Move the clamper unit to set the side joints **e** and **f** to each boss of the chassis base assembly. Make sure that part **g** is inserted to the notch of the chassis base assembly. (See Figs.6 and 10)
- Move the part **d** of the clamper spring to the outside of the bending part of the chassis base assembly. (See Fig.8)
- Attach the clamper2 spring to the chassis base assembly. (See Figs.6 and 7)

Caution:

When reattaching, temporarily hook the end of the clamper spring as shown in the figure to make the work easy. (See Fig.9)

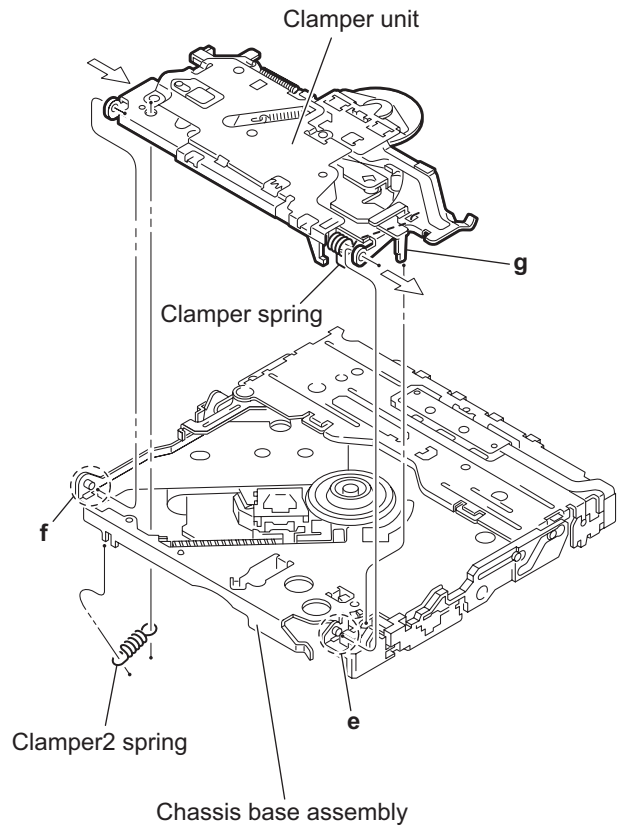


Fig.6

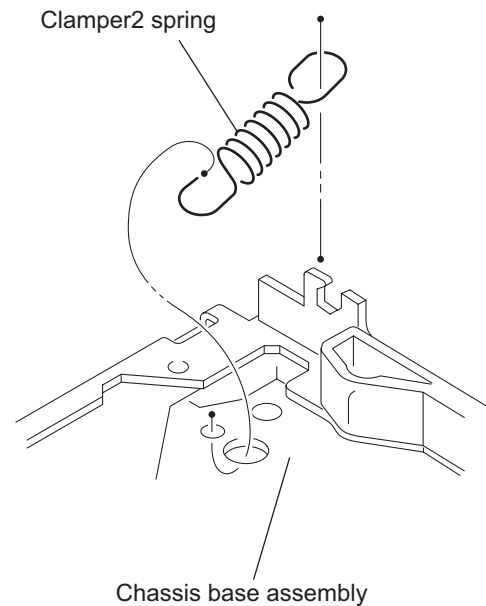


Fig.7

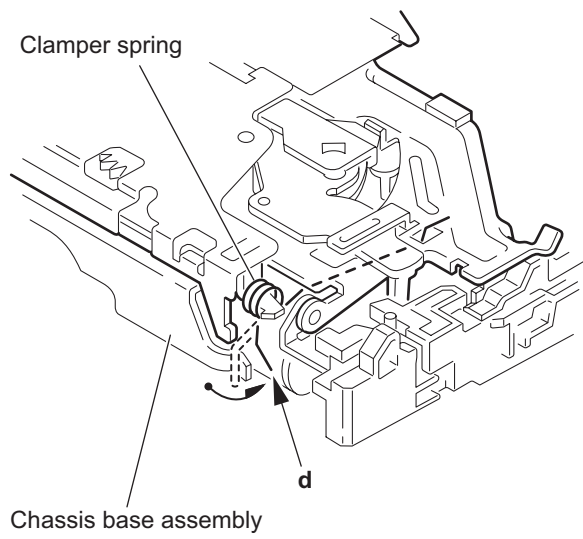


Fig.8

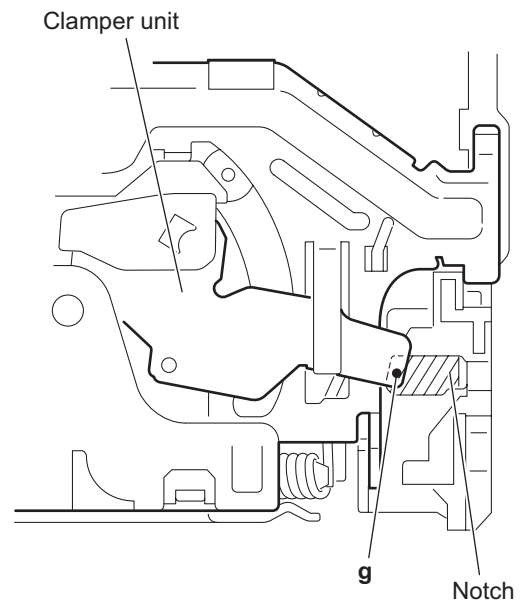


Fig.10

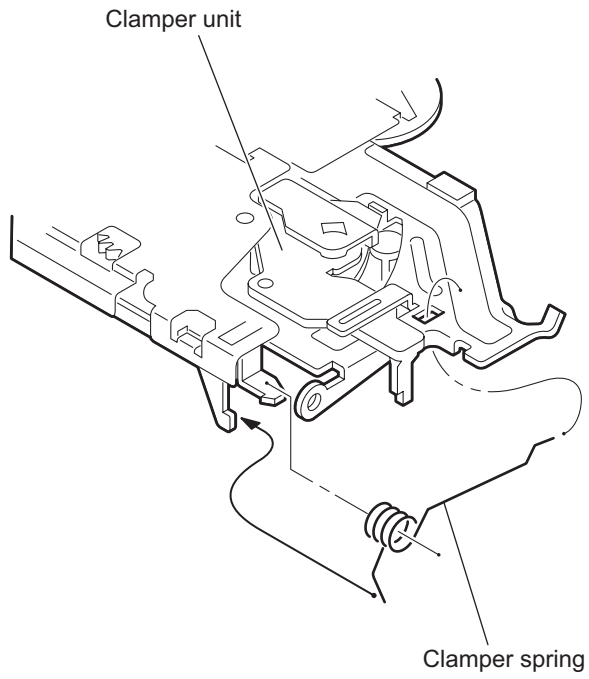


Fig.9

3.2.7 Removing the front unit (See Figs.11 to 13)

- Remove the top cover and the mechanism section.
 - (1) Disconnect the flexible wire from connector [CN202](#) on the mechanism control board at the bottom of the body. (See Fig.11)
 - (2) Remove the screw **G** attaching the front unit on the top of the body. (See Fig.12)
 - (3) Move the front unit toward the front to release joint **h**, and release two joints **j** and **k** on the right side of the chassis base assembly. Then remove the front unit upward. (See Figs.12 and 13)
 - (4) Remove the two screws **H** attaching the switch board. (See Fig.13)

Reference:

You can remove the switch board only without removing the front unit.

Caution:

When reassembling, attach the flexible wire extending from the switch board using the double tape. (See Figs.11 and 13)

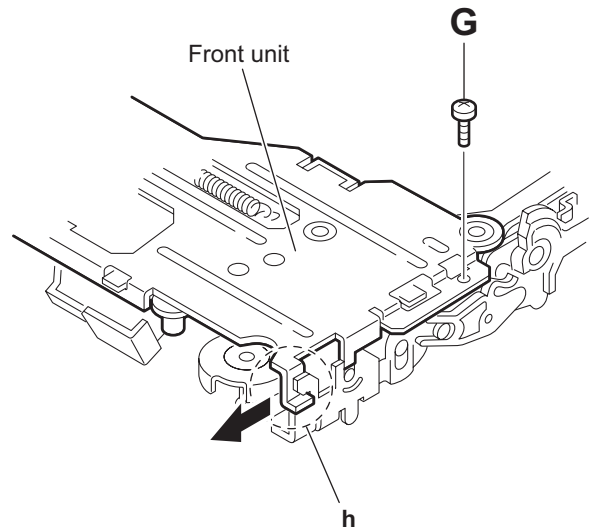


Fig.12

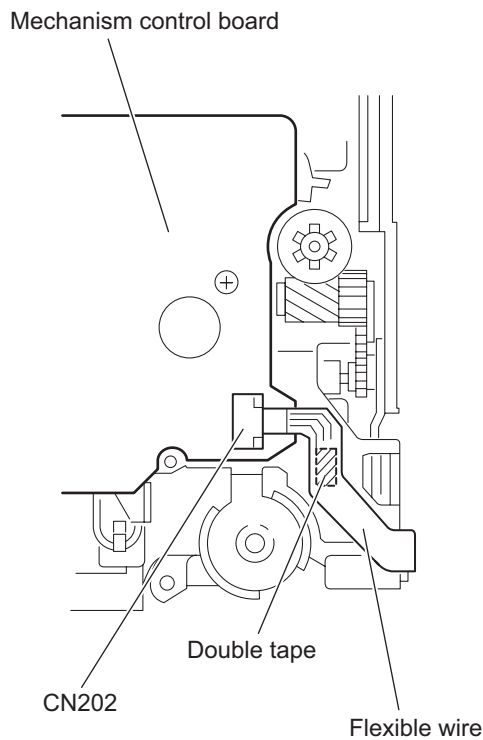


Fig.11

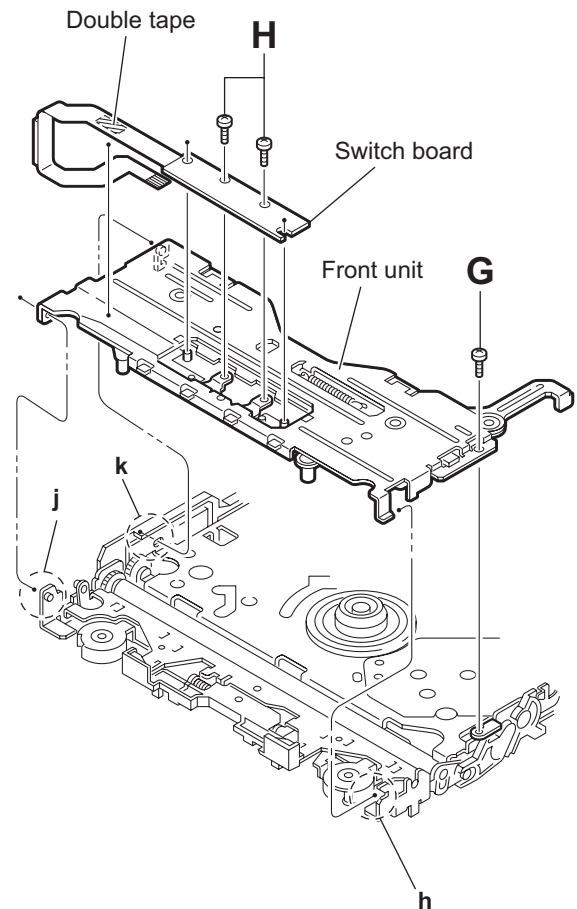


Fig.13

3.2.8 Removing the loading arm assembly (See Figs.14 and 15)

- Remove the top cover, the mechanism section and the front unit.
 - From the top of the body, move the loading arm assembly from the front side upward, and release the bosses from the right and left joints **m** and **n** of the chassis base assembly.
 - Release the boss from notch **p** of the connect arm on the right side of the body, and release the boss from notch **q** of the side cam assembly on the left side.

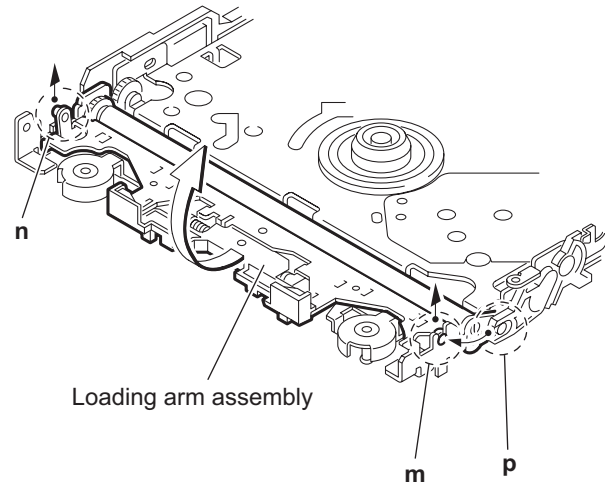


Fig.14

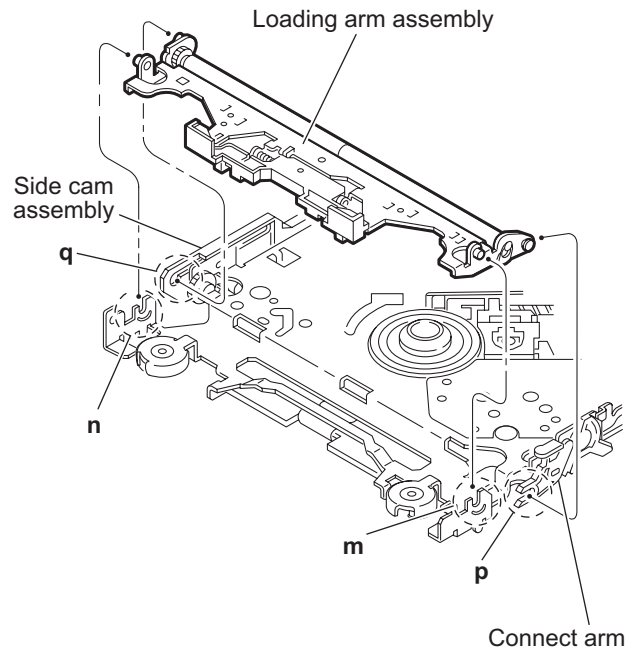


Fig.15

3.2.9 Removing the rod (L)(R) and roller assembly (See Figs.16 and 17)

- Remove the top cover, the mechanism section, the front unit and the loading arm assembly.
 - Release the rod (L) and (R) from the joints **r** at the bottom of the loading arm assembly (See Fig.16)
 - Remove the roller assembly from the loading arm assembly. (See Fig.17)
 - Remove the two collars and washer from the roller assembly. (See Fig.17)

Caution:

After attaching the loading arm assembly to the roller assembly, attach the rod (L) and (R). Attach the rods to the right and left collars of the roller. (See Fig.16)

When reattaching the rod (L) and (R) to the loading arm assembly, engage each joint as shown in Fig.15. As joints **r** of the rod (L), let the rod through **r** before reattaching it.

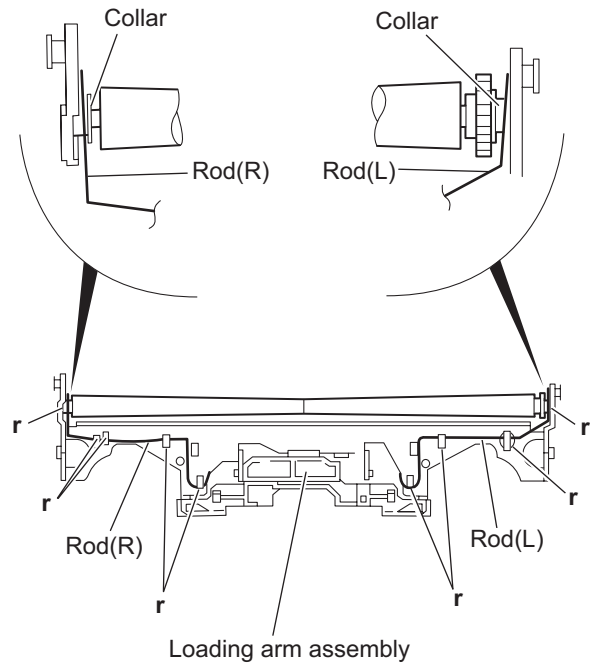


Fig.16

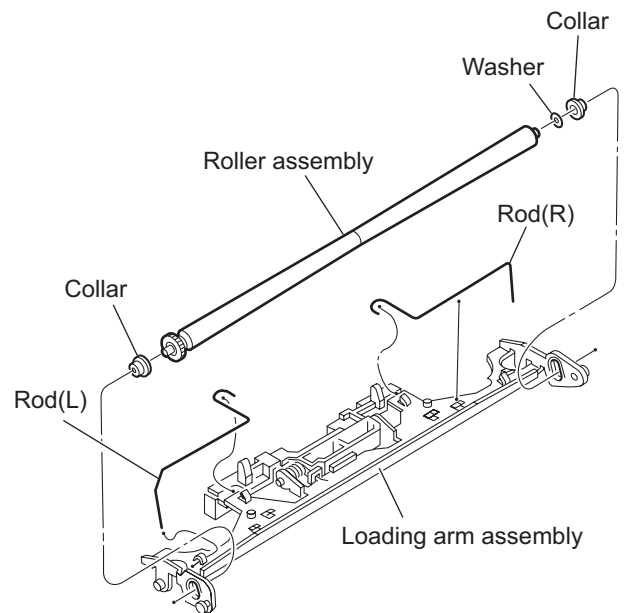


Fig.17

3.2.10 Removing the DVD pickup assembly (See Figs.18 to 20)

- Remove the mechanism control board.
 - (1) From the bottom of the body, turn the feed gear in the direction of the arrow to move the DVD pickup outwards. (See Fig.18)
 - (2) Remove the screw **J** attaching the thrust spring. (See Fig.18)
 - (3) Remove the DVD pickup assembly upward on the L.S.gear side and release from sub shaft at joint **s**. Move the lead screw of the DVD pickup assembly in the direction of the arrow to release from joint **t**. (See Fig.19)

Caution:

- When releasing the lead screw at joint **t**, the L.S.collar comes off at the end of the lead screw. When reassembling, reattach the L.S.collar to the lead screw and engage joint **t**. (See Fig.19)
- When reattaching the L.S.collar, reattach it to the point **s** of the lead screw, and to the rod (M). Make sure that the L.S.collar is set on the rod (M) spring. (See Fig.19)

- (4) Remove the screw **K** attaching the rack spring and rack plate on the DVD pickup. (See Fig.20)
- (5) Pull out the lead screw. (See Fig.20)

Caution:

Perform adjustment after replacing the pickup.

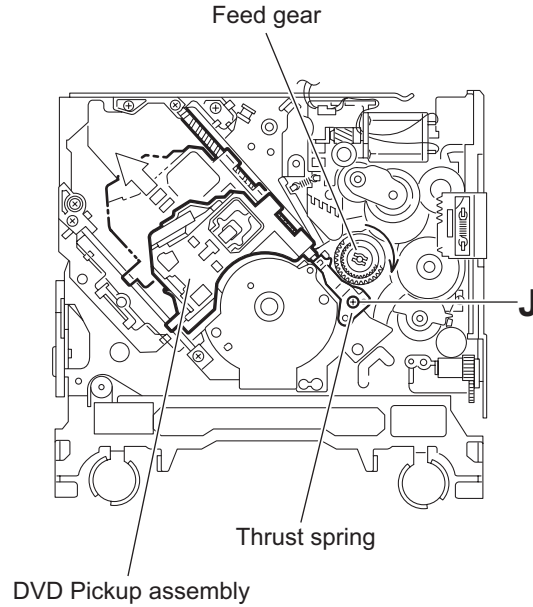


Fig.18

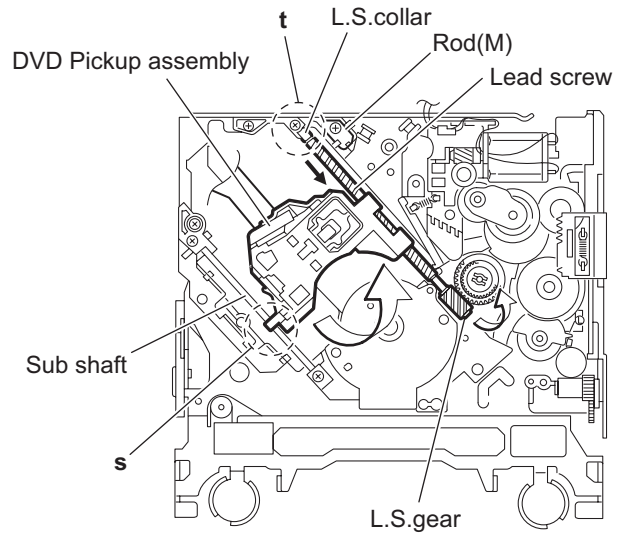


Fig.19

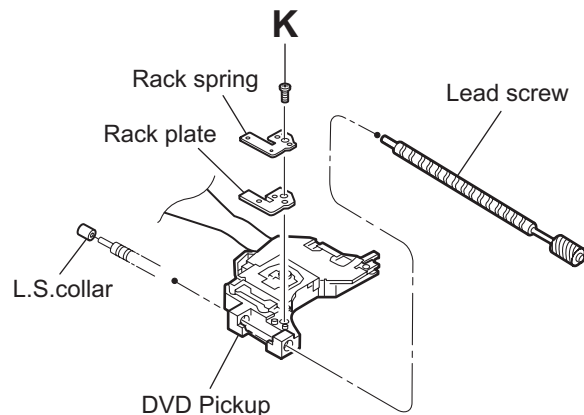


Fig.20

3.2.11 Removing the spindle motor (See Fig.21)

- Remove the mechanism control board.

Remove the two screws **M** attaching the spindle motor on the bottom of the body.

Caution:

Perform adjustment when reattaching the spindle motor.

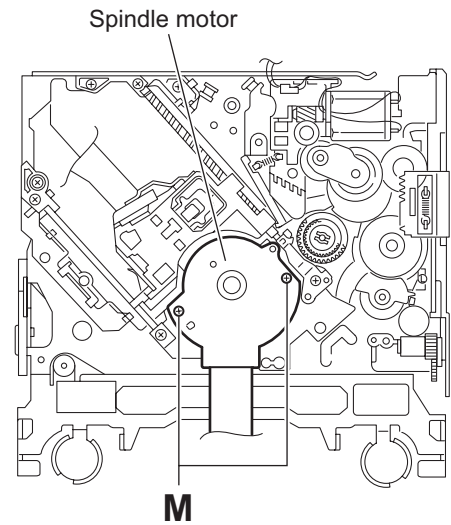


Fig.21

3.2.12 Removing the feed motor assembly (See Figs.22 and 23)

- Remove the mechanism control board.
 - Remove the feed TRI. spring on the bottom of the body. (See Fig.22)
 - Remove the two screws **N** attaching the feed motor assembly. (See Fig.22)
 - Remove the slit washer from the motor H. assembly and pull out the worm wheel. (See Fig.23)
 - Remove the two screws **P** attaching the feed motor. (See Fig.23)

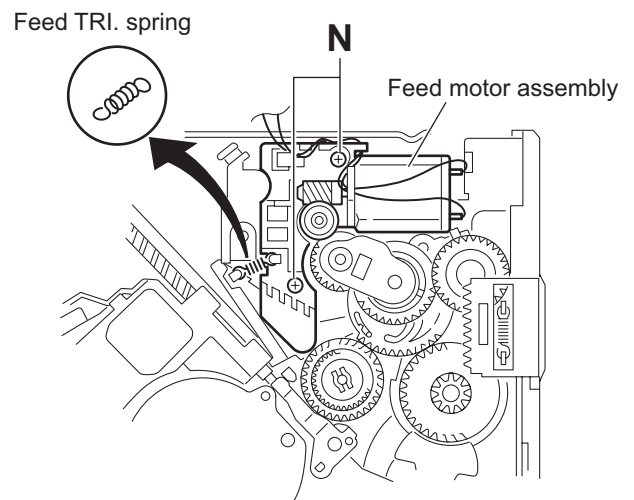


Fig.22

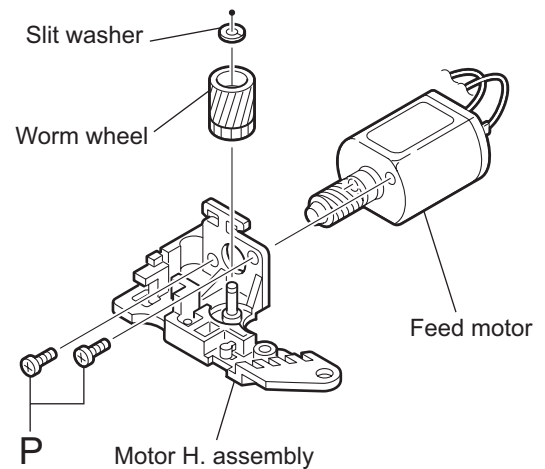


Fig.23

SECTION 4 ADJUSTMENT

4.1 Test instruments required for adjustment

- (1) Digital oscilloscope (100MHz)
- (2) Jitter meter
- (3) Digital tester
- (4) Electric voltmeter
- (5) Tracking offset meter
- (6) Test Disc : VT501 or VT502
- (7) Extension studs : STDV001-3P

4.2 Standard measuring conditions

Power supply voltage	DC14.4V(11 to 16V)
Load impedance	4Ω
Output Level	20kΩ

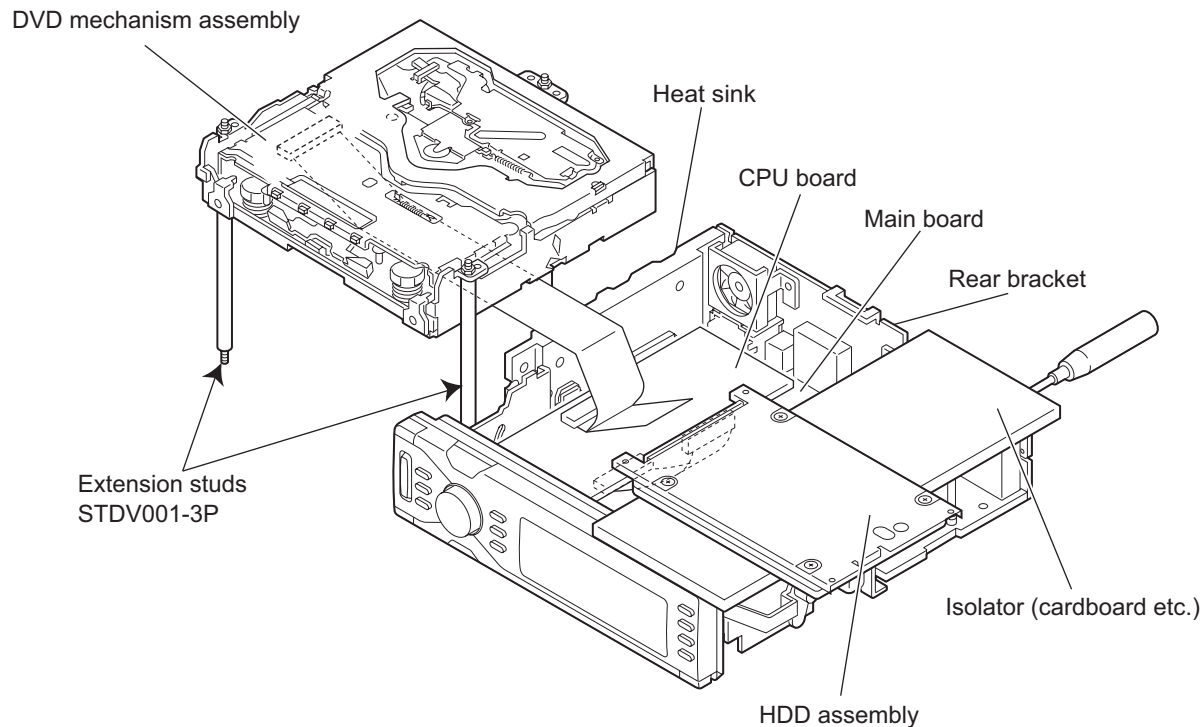
Caution:

Be sure to attach the heat sink and rear bracket onto the power amplifier IC and regulator IC respectively, before supply the power. If voltage is applied without attaching these parts, the power amplifier IC and regulator IC will be destroyed by heat.

4.3 Connection method

Connection procedure

- (1) Attach the front chassis assembly to the main board.
- (2) Connect the front panel assembly to the main board.
- (3) Attach the heat sink and rear bracket to the main board.
- (4) Attach the extension studs to the DVD mechanism assembly.
- (5) Attach the CPU board and HDD assembly with a card wire to the main board connector.
- (6) Connect the card wire from the CPU board to the DVD mechanism assembly.



4.4 Jitter value conversion table

Indicated on the LCD	JIT OUT	Indicated on the LCD	JIT OUT	Indicated on the LCD	JIT OUT	Indicated on the LCD	JIT OUT
EF56	4.7	E972	7.6	E38E	10.5	DDAA	13.4
EF22	4.8	E93E	7.7	E35A	10.6	DD76	13.5
EEEE	4.9	E90A	7.8	E326	10.7	DD42	13.6
EEBA	5.0	E8D6	7.9	E2F2	10.8	DD0E	13.7
EE86	5.1	E8A2	8.0	E2BE	10.9	DCDA	13.8
EE52	5.2	E86E	8.1	E28A	11.0	DCA6	13.9
EE1E	5.3	E83A	8.2	E256	11.1	DC72	14.0
EDEA	5.4	E806	8.3	E222	11.2	DC3E	14.1
EDB6	5.5	E7D2	8.4	E1EE	11.3	DC0A	14.2
ED82	5.6	E79E	8.5	E1BA	11.4	DBD6	14.3
ED4E	5.7	E76A	8.6	E186	11.5	DBA2	14.4
ED1A	5.8	E736	8.7	E152	11.6	DB6E	14.5
ECE6	5.9	E702	8.8	E11E	11.7	DB3A	14.6
ECB2	6.0	E6CE	8.9	E0EA	11.8	DB06	14.7
EC7E	6.1	E69A	9.0	E0B6	11.9	DAD2	14.8
EC4A	6.2	E666	9.1	E082	12.0	DA9E	14.9
EC16	6.3	E632	9.2	E04E	12.1	DA6A	15.0
EBE2	6.4	E5FE	9.3	E01A	12.2	DA36	15.1
EBAE	6.5	E5CA	9.4	DFE6	12.3	DA02	15.2
EB7A	6.6	E596	9.5	DFB2	12.4	D9CE	15.3
EB46	6.7	E562	9.6	DF7E	12.5	D99A	15.4
EB12	6.8	E52E	9.7	DF4A	12.6	D966	15.5
EADE	6.9	E4FA	9.8	DF16	12.7	D932	15.6
EAAA	7.0	E4C6	9.9	DEE2	12.8	D8FE	15.7
EA76	7.1	E492	10.0	DEAE	12.9	D8CA	15.8
EA42	7.2	E45E	10.1	DE7A	13.0	D896	15.9
EA0E	7.3	E42A	10.2	DE46	13.1	D862	16.0
E9DA	7.4	E3F6	10.3	DE12	13.2		
E9A6	7.5	E3C2	10.4	DDDE	13.3		

4.5 Service mode

Note

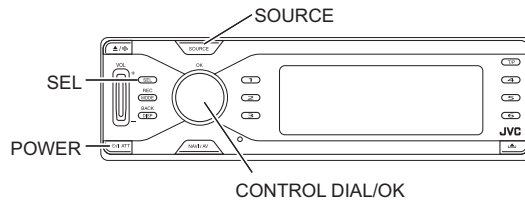
The new HDD of factory shipments is blank.

When exchanging new HDD at repair,

it needs copy of data from the master HDD by the HDD copy machine.

Setup to the service mode

- Turn on the power.
- Select to the [TUNER] source.
- Press the key [SEL] [POWER] [SOURCE] over the two seconds.



MENU

- | | |
|------------------|--------------------|
| 1.Sensor Check | 4.Tuner Adjustment |
| 2.Initial All | 5.DVD Mecha Init |
| 3.GPS Init Check | 6.GYRO Adjustment |
| Service Mode | |

- *Change the menu items rotate control dial.
- *Select the mode push the [1] to [6] key.
- *The [DISP/BACK] key is return of item.

- | | |
|-------------------|----------------|
| 1.Version Check | 4.Data Clear |
| 2.Firmware Update | 5.Running Mode |
| 3.Data Read | 6.HDD Format |
| Service Mode | |

- | | |
|-------------------|------------------|
| 1.DVD Area/Region | 4.TMC Check Mode |
| 2.DVD Check Mode | 5.Self Check |
| 3.DVD NTSC/PAL | 6.Full Clear |
| Service Mode | |

Sensor Check

```
Spd pls : **
Gyro : **** . **
GPS : *****/*****
Prk SW : 01 ON
Rvs SW : 00 F
Sensor DATA
```

Indicate the sensors information

- Spd pls: Speed pulse value
For example, if 100Hz rectangle wave signal inputted from an oscillator, it will become the display of [A0] etc.
- Gyro : Output value from inside gyro
If a main unit is turned to right or left, a value will change.
- GPS : Latitude and longitude value from GPS antenna.
Only of navigable area.
- Prk SW: Detect the parking brake
01:ON
00:OFF
- Rvs SW: Detect the reverse
01: BACK
00:FORWARD

Initial All

```
Initialize factory setup data.
Tuner preset
User entry name
Error log
```

Note: After initialized should push the [RESET] key, or should pull out a power code 30 seconds or more, and should surely reset a main unit.

GPS Init Check

```
Only the factory setup.
No use.
```

Tuner Adjustment

```
Only the factory setup.
No use.
```

DVD Mecha Init

```
Only the factory setup.
No use.
```

GYRO Adjustment

```
Only the factory setup.
No use.
```

Version Check

```
Main Ver :X. XXX YY
FP Ver :X XXX YY
Navi Ver :XXX
DVD Ver :XXXX
DB Ver :EuropeX. X. X. X
Version Check
```

- Version of main microcomputer and ROM correction.
- Version of panel microcomputer and ROM correction.
- Version of navigation microcomputer.
- Version of DVD unit.
- Version of map database.

Firmware Update

Rewriting the firmware of the navigation microcomputer. Procedure is the following.

1) Making of SD card for Update.

(SD card writer is connected with a personal computer, and software is copied.)

- (1) SD card prepares 32 M bytes or more.
- (2) Select the [FAT] file system. Format option is standard. Quick format is not chosen.
- (3) Copy the firmware file to the route directory.

2)Updating

- (1) Insert the updated SD card.
 - (2) Select the [Firmware Update] from service mode.
 - (3) Press the [OK] key after [Firmware Update Start OK ?] displayed.
 - (4) Flashing display the [Firmware Update Now Updating] in updating. It take about five minutes.
- Note: Do not turn off the power. The unit will not restart.**
- (5) Power supply is shut off and supply again, it is automatically after update.
 - (6) Extract the SD card.

Form updating from the DVD-R/RW of the navigation microcomputer.

1) Making of the update disk.

(1) Preparing of the DVD-R or DBD-RW.

Note: Do not use CD-R,CD-RW,DVD+R,DVD+RW.

(2) Make the [JVCDBUpdate] name folder.

Make the [FWUpdate] name folder in the [JVCDBUpdate] .

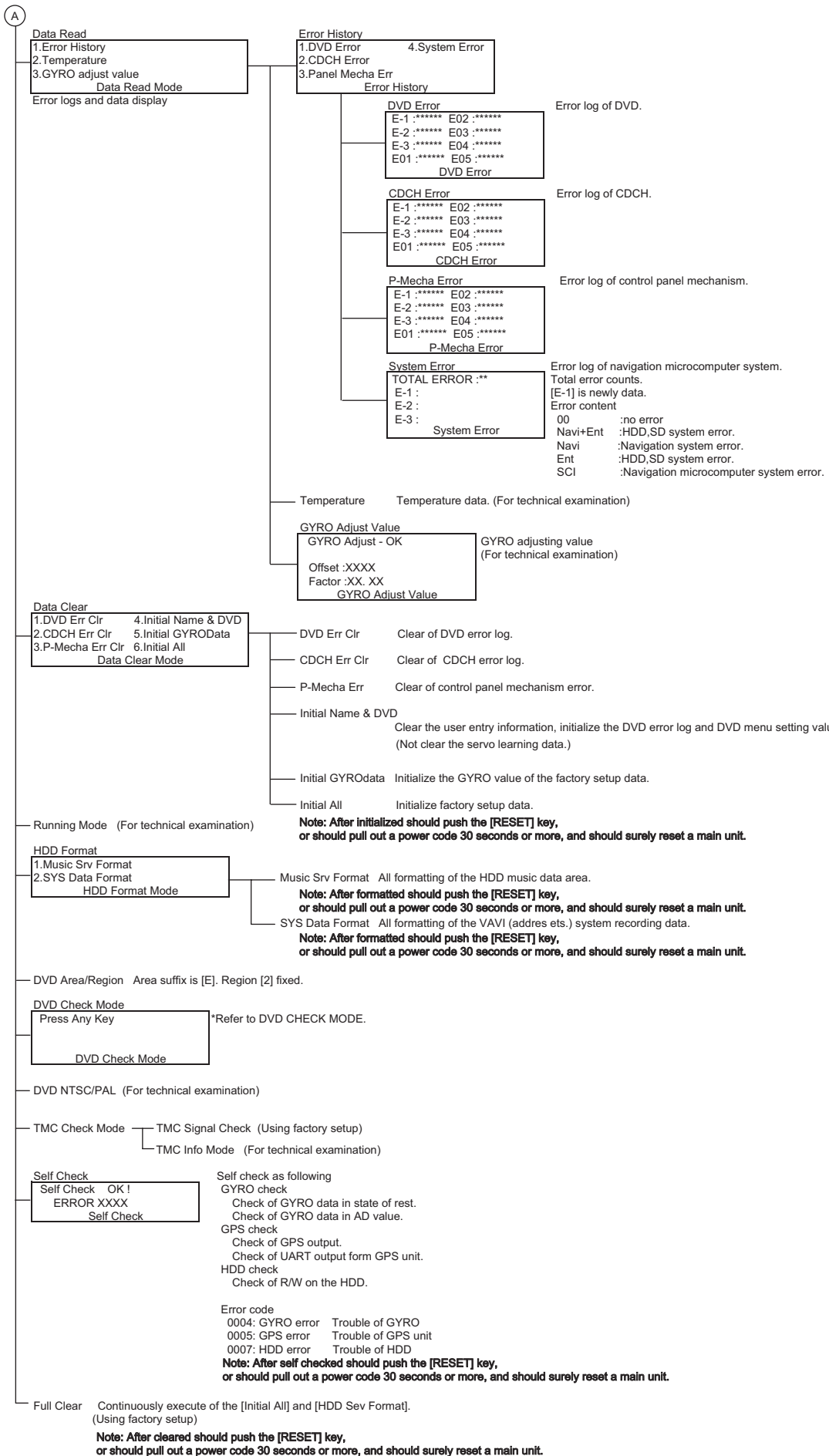
(3) Move to the two provide data fail to [FWUpdate] folder.

(4) Disk writing by the [Disk at once].

2)Update

- (1) Loading to updated disk.
 - (2) Press the [OK] key after [Firmware Update Start OK ?] displayed.
 - (3) Flashing display the [Firmware Update Now Updating] in updating. It take about five minutes.
- Note: Do not turn off the power. The unit will not restart.**
- (4) Power supply is shut off and supply again, it is automatically after update.
 - (5) Eject the disk after the [Please Eject] displayed.

(A)



4.6 NAVI engineer mode

Setup to the NAVI engineer mode

Turn on the power. Select to the [NAVI] mode

Press the key [SEL] [NAVI/AV] [OK] over the two seconds.

MENU

1.DIL FILE COPY	4.GPS RAW DATA
2.NAVILOG COPY	5.SIMULATION
3.SENSOR DATA	6.SYS_DATA COPY
NAVI ENGINEERING	

DIL FILE COPY (For technical examination)
Copy the log data file to SD card.

NAVILOG COPY Copy log data to SD card at navigation guidance.
(Using troubleshooting to the designer)

SENSOR DATA

Learning Level:* Level(0-4)
Gyro:**** Gyro value (0000-4096)
**cm/pls: Centimeter per one pulse
Speed:**km/h Speed
**,*pps Pulse count of speed
Backgear:***** Direction
Low or High Position of back gear
GPS SAT:* Receive count of GPS saterite
HDOP:*,* HDOP value(0.0-99.9)

GPS LAW DATA (No use)

SIMULATION Change ON/OFF of the simulation mode.
Simulation mode : Using simulate with out sensor.
(It can use uncompleted Vp calibration.)

Display the sub menu after select the [SIMULATION]

1.OFF	
2.ON	
SIMULATION	

Display after ON select.

SIMULATION MODE	
JVC	

The origin in simulation mode is determined as follows by language setup.

Language	Origin
DANSK	Copenhagen
DEUTSH	Berlin
ENGLAND UK	London
ENGLAND US	London
ESPANOL	Madrid
FRANCAIS	Paris
ITALIANO	Roma
NEDERLANDS	Amsterdam
SVENSKA	Stockholm

*Resetting the SIMULATION mode by the [ACC off] or power off or [RESET].

SYS_DATA COPY (For technical examination)

4.7 ROM correction of the main microcomputer and panel microcomputer

The RAM correction of the main microcomputer and panel microcomputer from the CD-R/RW or DVD-R/RW.

4.7.1 Making the disk for ROM correction

- (1) Prepare the CD-R or CD-RW or DVD-R or DVD-RW.

Note:

Do not use DVD+R and DVD+RW.

- (2) The two provided files put into the [ROOT].
Do not make file folder.
- (3) The disk write by the [Disk at once].

4.7.2 ROM correction

- (1) Loading the ROM correction disk.
- (2) Displayed the [ROM CORR] in updating.
It takes about ten minutes.

Note:

Do not turn off the power. The unit will not restart.

- (3) Eject the disk after [OK xxxx Please Eject] displayed.

Note:

The numbers [xxxx] for microcomputer management within factory.

- (4) After the ROM correction, should reset a main unit.

4.8 DVD unit check mode

When change the item must be press the [OK] key up to the execute.

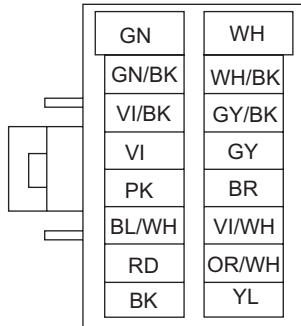
Check item list

No.	A/D key	DVD unit operation	LCD indication and contents
1	[1]	Start at normal speed (After start, it is measured JITTER on the internal position)	CURRENT: Laser current value JITTER: Jitter value
2	[2]	Tracking off on the outermost position of CD	For EF phase
3	[3]	Tracking off on the innermost position of CD	For EF phase
4	[4]	CD_LD lights and laser current is displayed	CURRENT: Laser current value JITTER: Jitter value
5	[5]	DVD_LD lights and laser current is displayed	CURRENT: Laser current value JITTER: Jitter value
6	[6]	DVD x1 jitter measuring mode (for use in mechanism measurement)	CURRENT: Laser current value JITTER: Jitter value
7	Rotate control dial to clockwise	Indication of EEPROM contents (0x00-0xFF)	ADDRES: EEPROM address DATA: EEPROM contents
8	Rotate control dial to counterclockwise	Indication of EEPROM contents (0x00-0xFF)	ADDRES: EEPROM address DATA: EEPROM contents
9	[SOURCE]	Initialize of EEPROM contents	
10	[MODE]	Indication of temperature	TEMP DATA: Temperature
11	[DISP]	Search & jitter measurement to an appointed position of DVD	PLACE: 0x00~0x06 (Measuring position with VT-501) JITTER: Jitter value
12	[TP]	Setting of MONITOR terminal	DATA: 0x00-0x0c
13	[OK]	DVD normal speed start up (After start, it is measured JITTER on the internal position)	CURRENT: Laser current value JITTER: Jitter value
14	[OK] (Press two seconds)	Disc stopped & LD-OFF	CHECK
15	[EJECT]	OPEN	CHECK
16	[EJECT]	CLOSE	CHECK

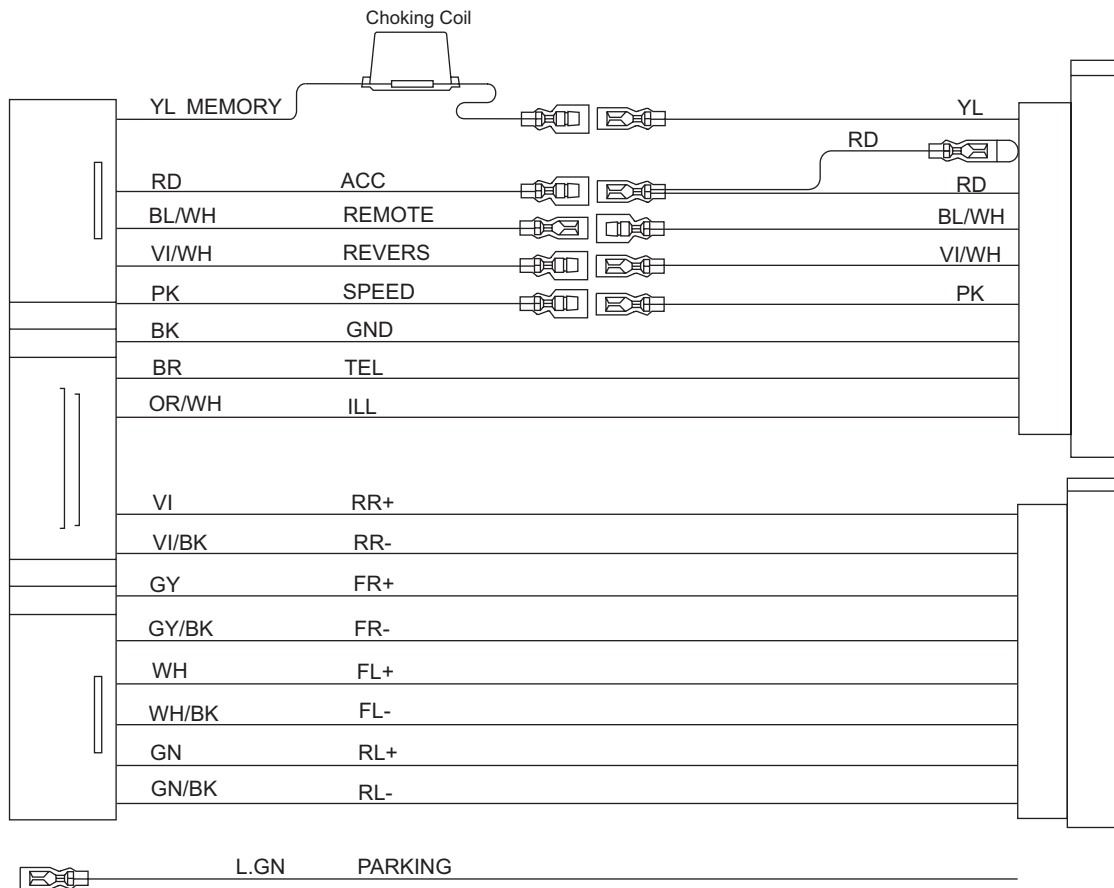
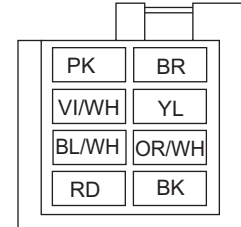
- Note
- Press key [1] before press the key [2] or [3].
 - Press key [DISP] before the key [1] or [OK] pressed and confirm the indication of jitter value on the LCD.
 - No.6 item is only of first layer on DVD disk. Even other disks start of first layer on DVD disk.
 - When No.1 or No.13 item key pushed after jitter indication, a focus jump is executed.
(Only second layer of DVD disk)
 - Stop a disk before OPEN, CLOSE for all means. (OPEN and CLOSE are not executed in a disk rotate.)
 - The check mode can be exited either by pressing the [POWER] key or resetting the unit.

SECTION 5 TROUBLESHOOTING

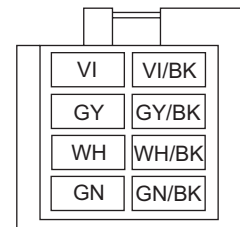
5.1 16PIN CORD DIAGRAM



BK	Black	GN	Green
RD	Red	VI	Violet
BL	Blue	GY	Gray
WH	White	YL	Yellow
BR	Brown	OR	Orange
L.GN	Light Green	PK	Pink



RR	Rear Right	ACC	ACC Line
FR	Front Right	TEL	Telephone Muting
FL	Front Left	GND	Ground
RL	Rear Left	MEMORY	Memory Backup Battery+
REMOTE	Remote	PARKING	Parking Brake
ILL	Illuminations Control	ANT	Auto Antenna
REVERS	Revers Gear Signal Lead	SPEED	Speed Signal Lead





JVC

Victor Company of Japan, Limited

AV & MULTIMEDIA COMPANY CAR ELECTRONICS CATEGORY 10-1,1chome,Ohwatari-machi,Maebashi-city,371-8543,Japan

(No.MA161)



Printed in Japan
VPT

JVC

SCHEMATIC DIAGRAMS

HDD NAVIGATION/DVD RECEIVER

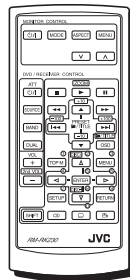
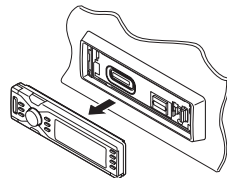
KD-NX901

CD-ROM No.SML200506

Area suffix

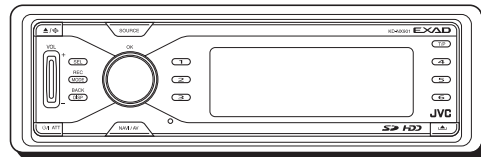
E ----- Southern Europe

Detachable



EXAD

NXVTEQ
ON BOARD



Lead free solder used in the board (material : Sn-Ag-Cu, melting point : 219 Centigrade)

Contents

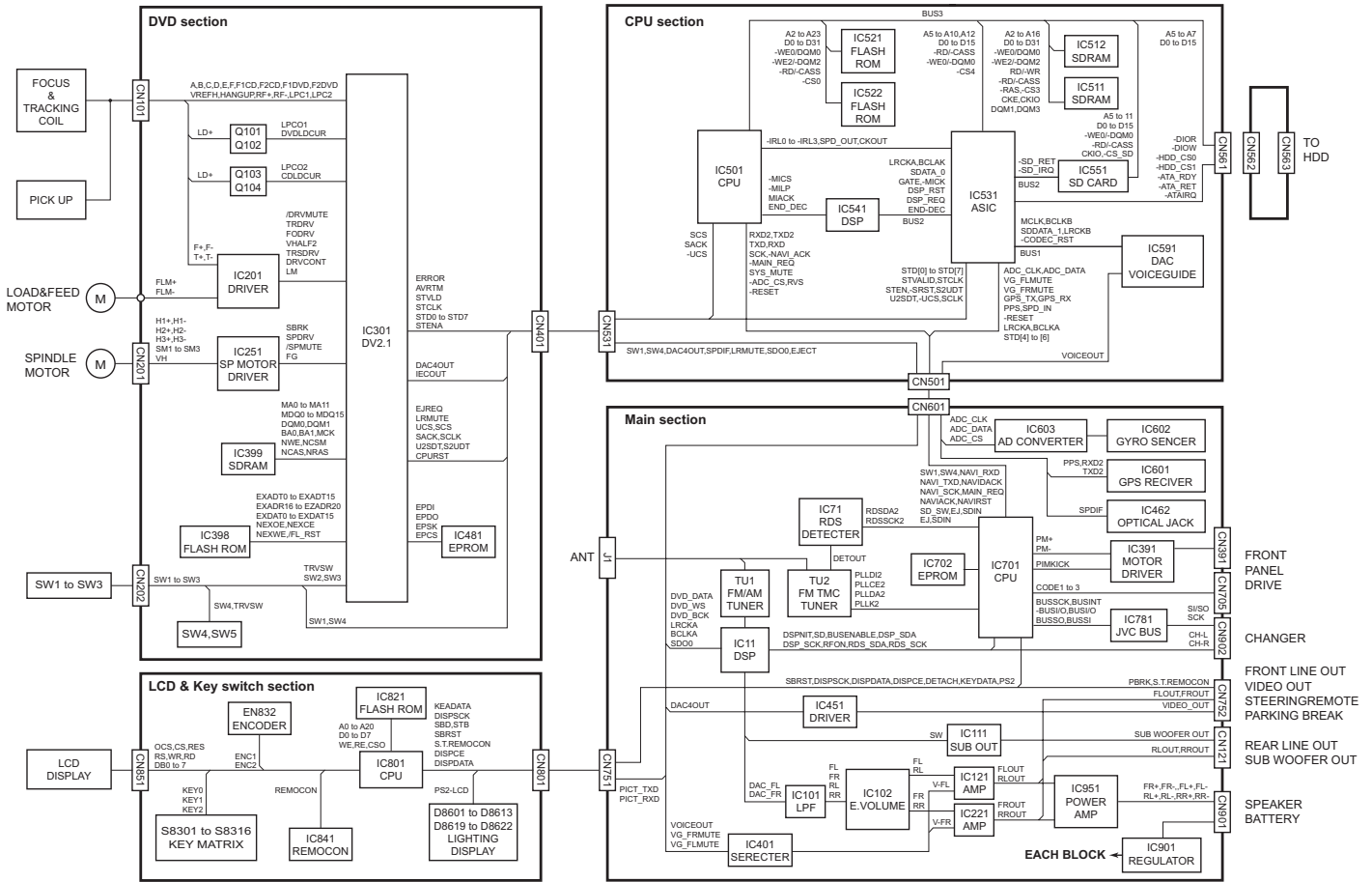
Block diagram	2-1
Standard schematic diagrams	2-2
Printed circuit boards	2-8 to 11

Safety precaution

 **CAUTION** Burrs formed during molding may be left over on some parts of the chassis. Therefore, pay attention to such burrs in the case of performing repair of this system.

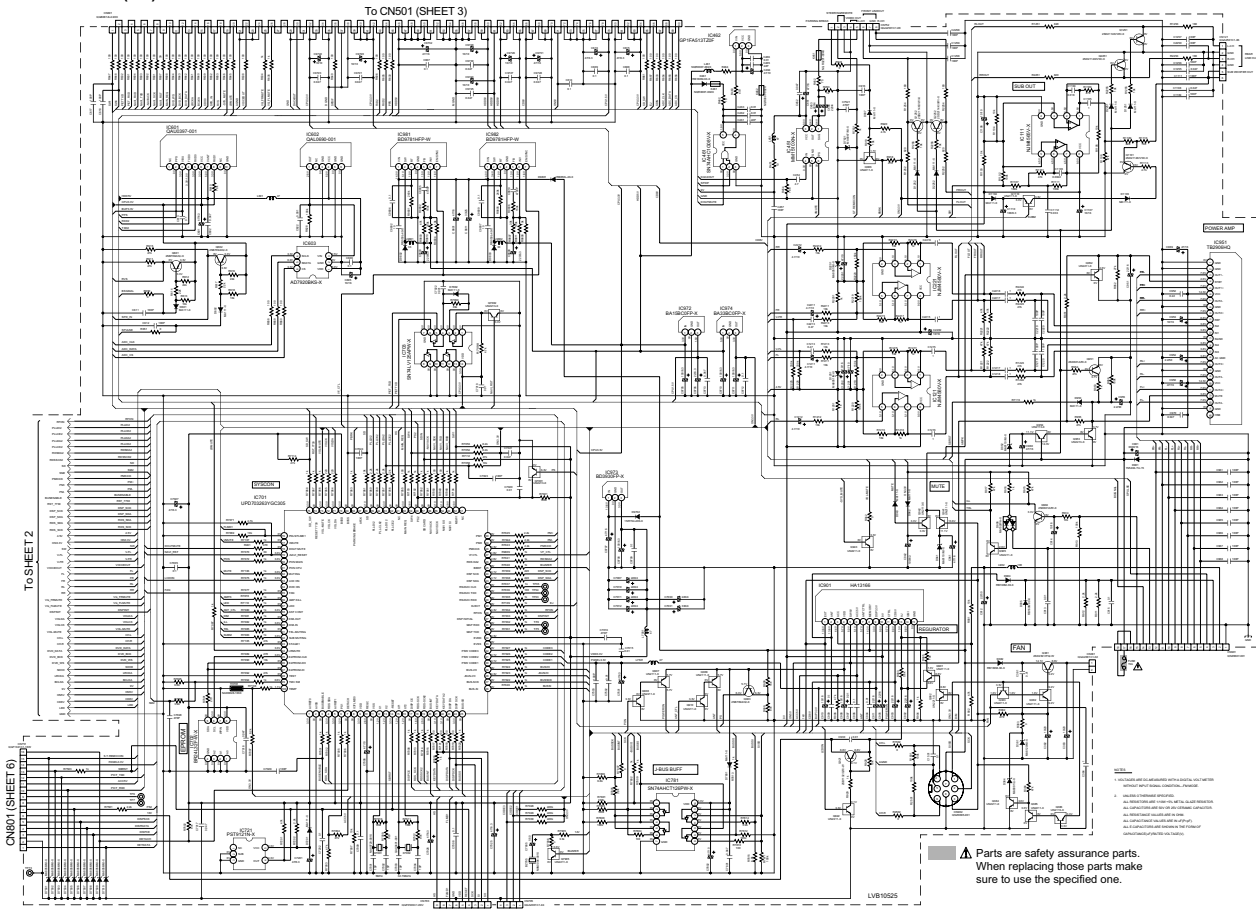
 **CAUTION** Please use enough caution not to see the beam directly or touch it in case of an adjustment or operation check.

Block diagram

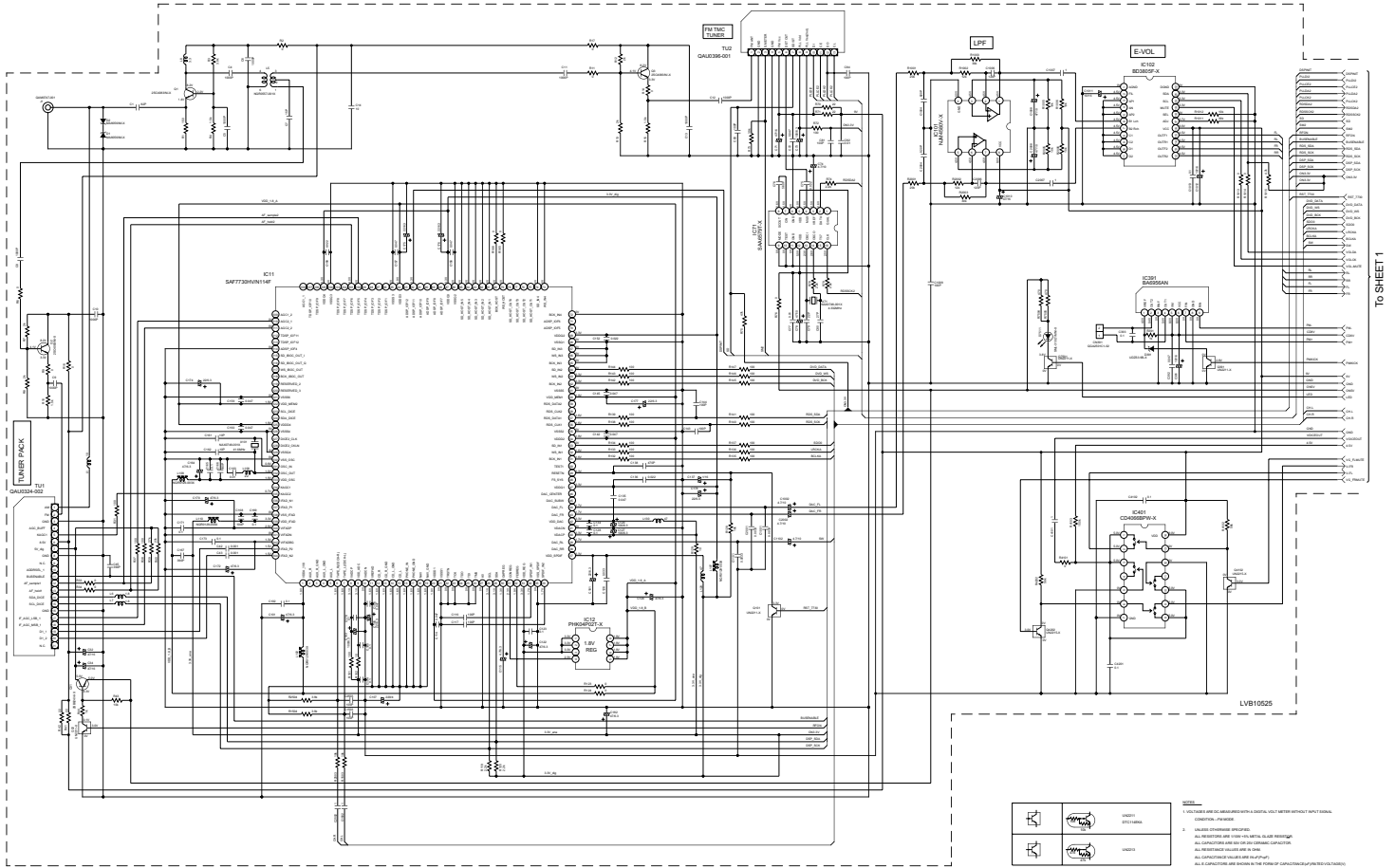


Standard schematic diagrams

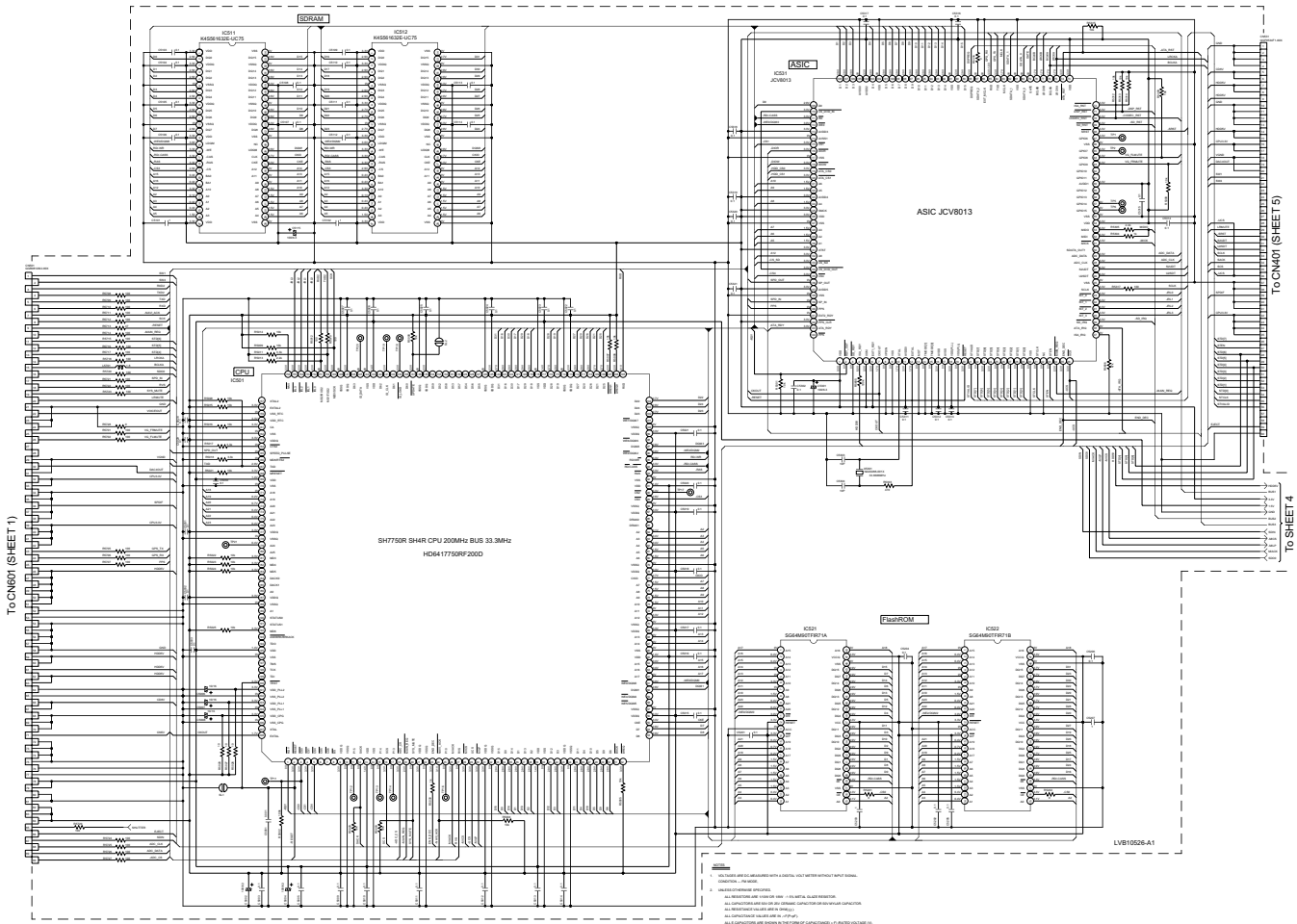
■ Main section (1/2)



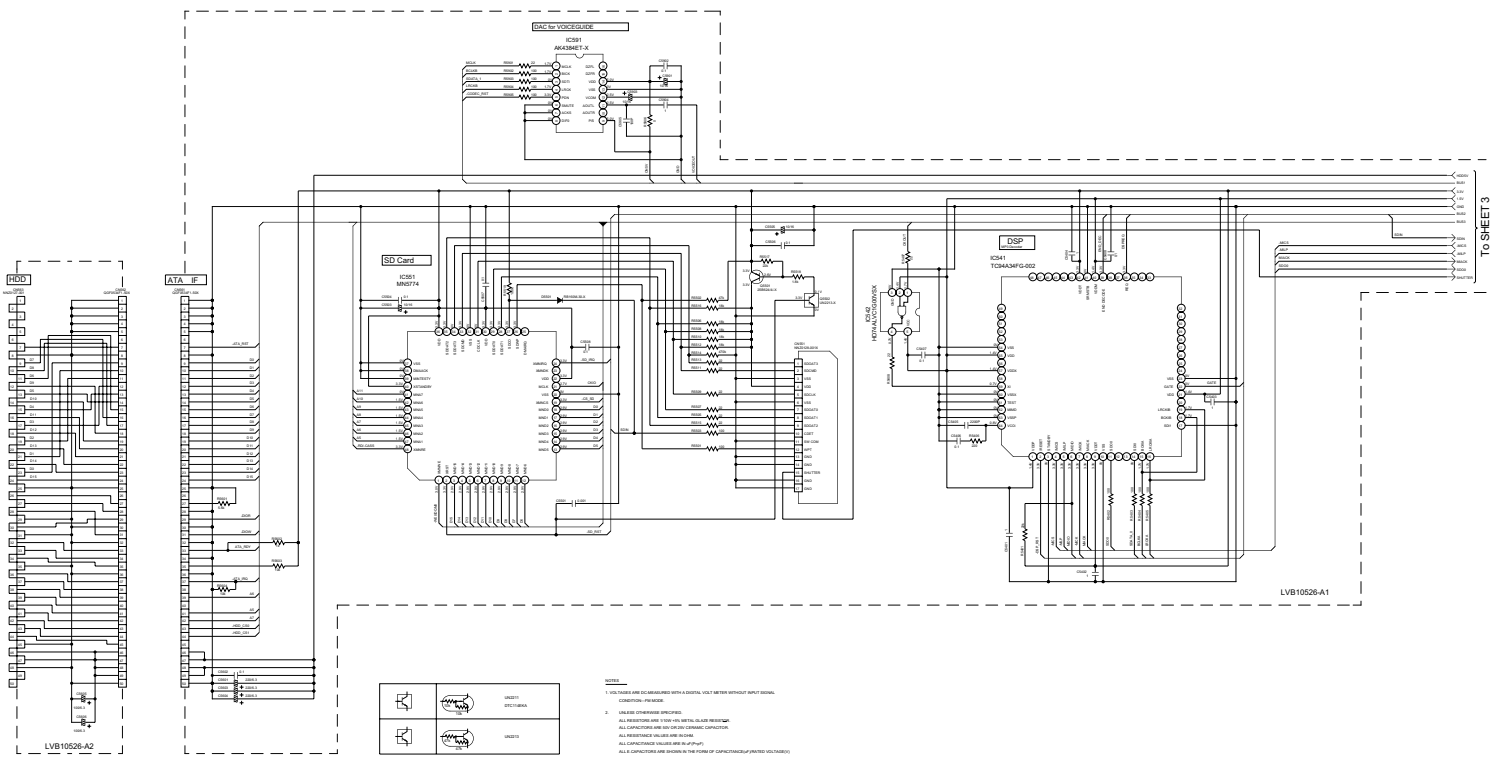
■ Main section (1/2)



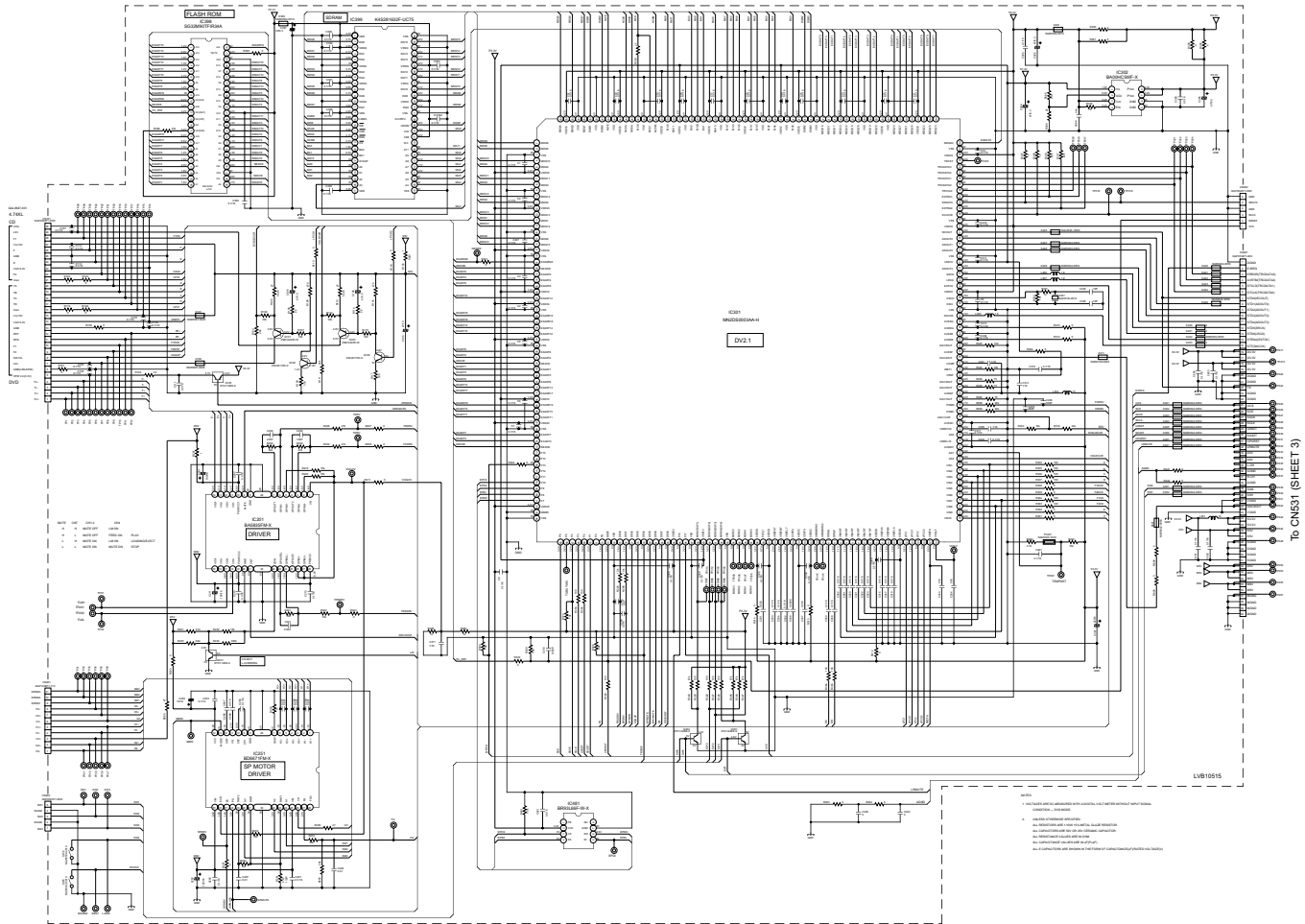
■ CPU section (1/2)



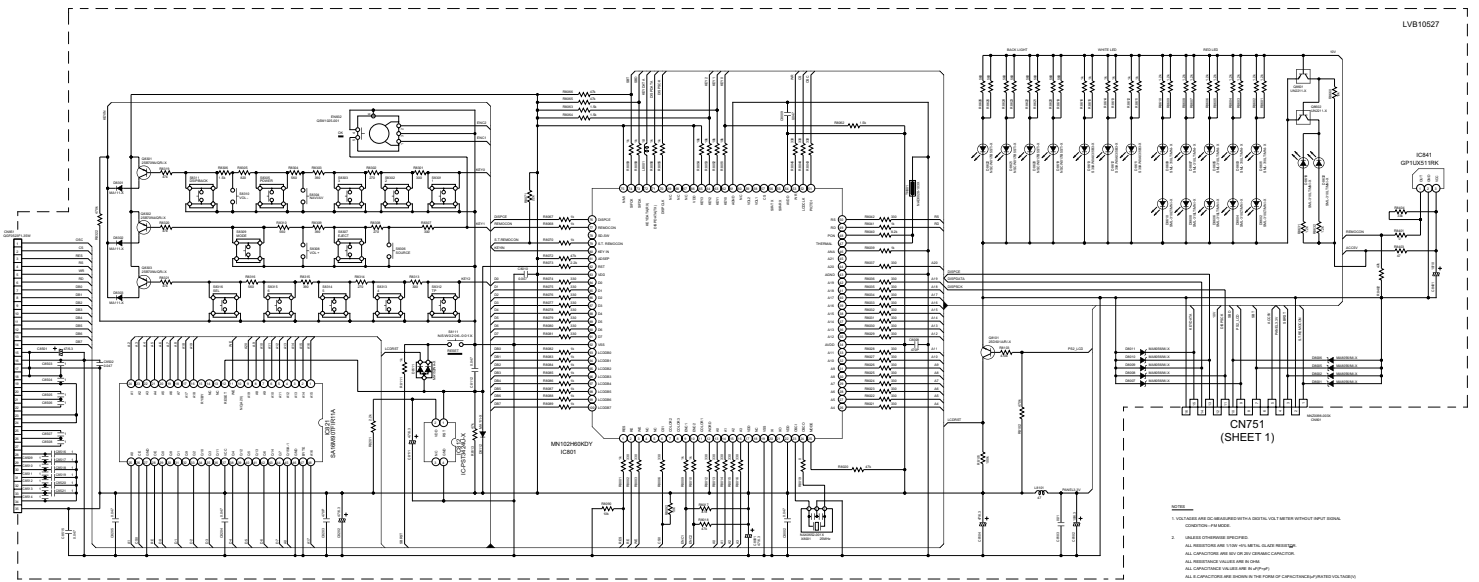
■ CPU section (2/2)



■ DVD section



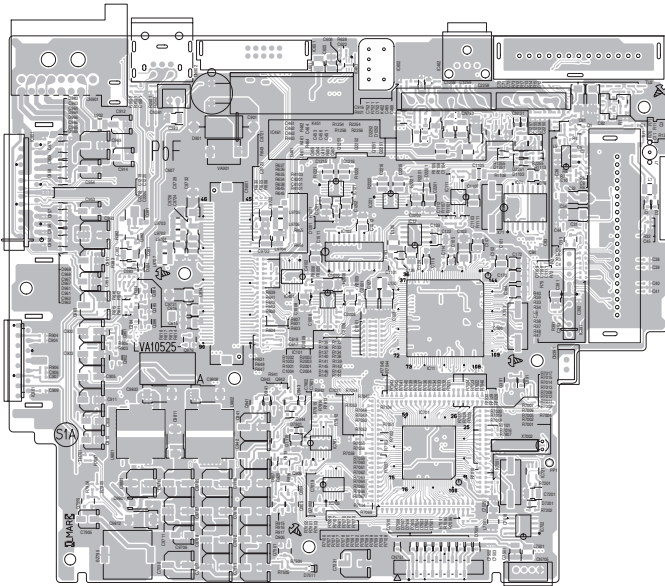
■ LCD & Key switch section



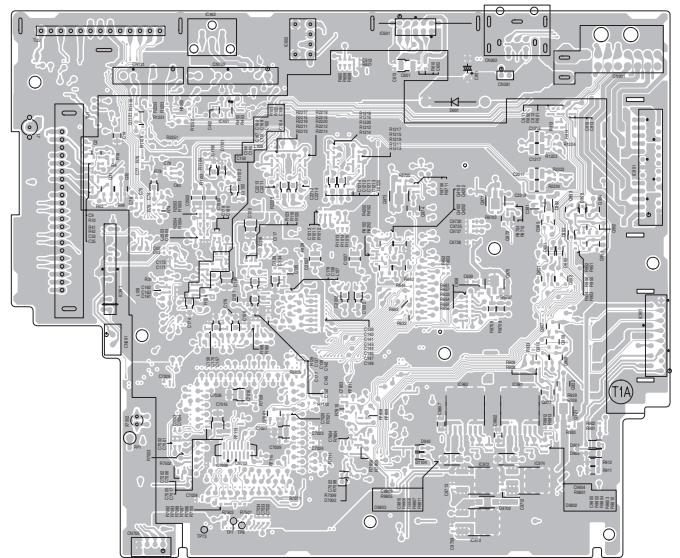
Printed circuit boards

■ Main board Lead free solder used in the board (material : Sn-Ag-Cu, melting point : 219 Centigrade)

Forward side



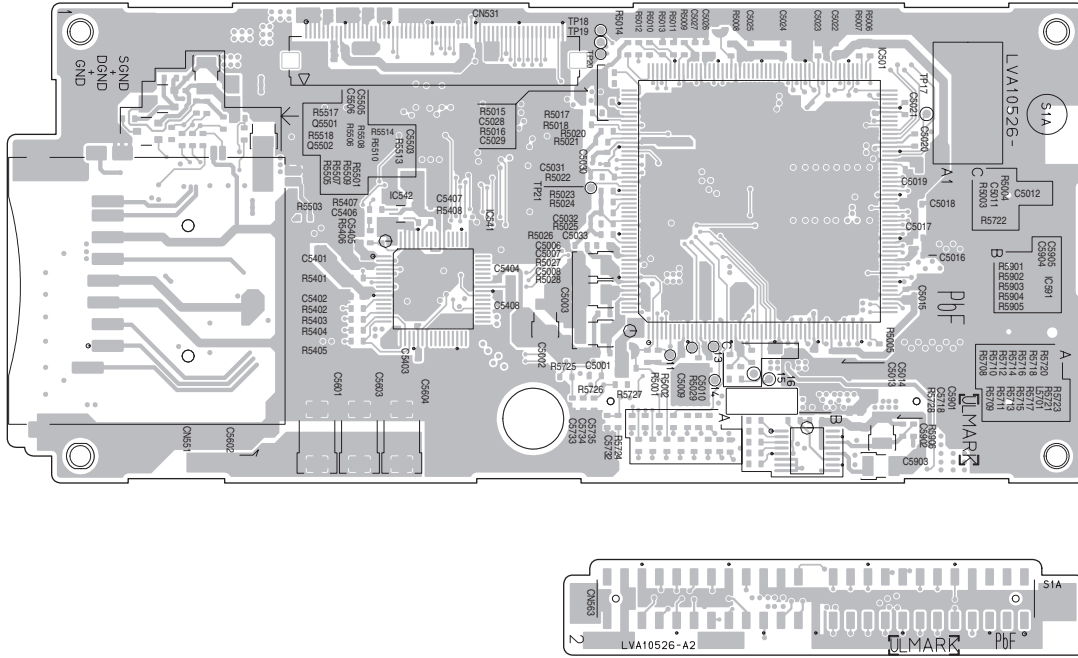
Reverse side



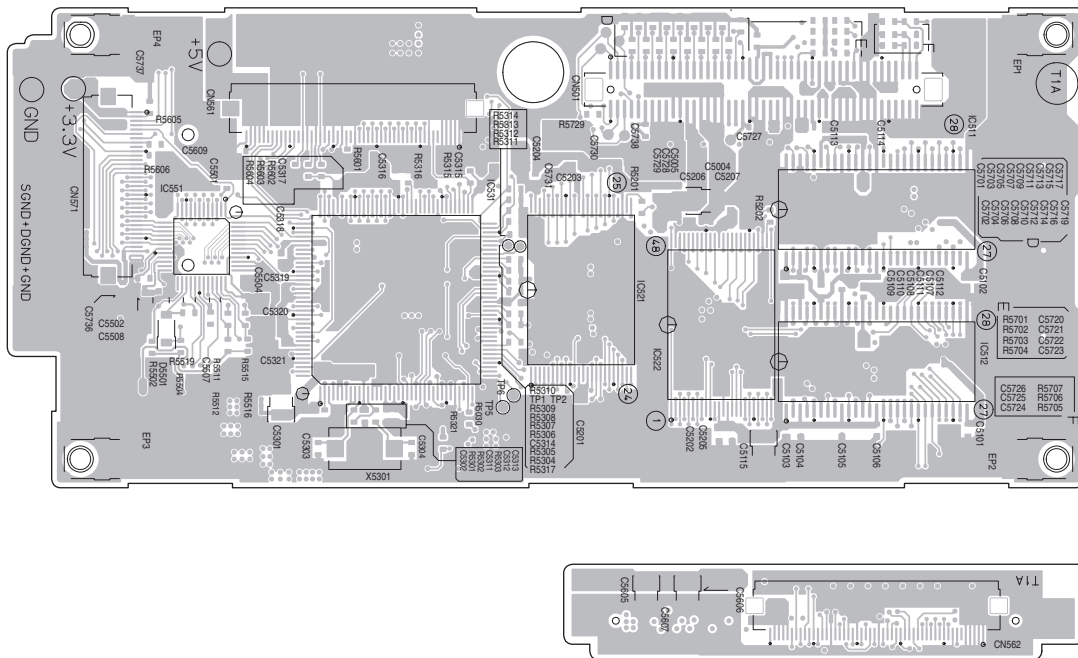
■ CPU board

Lead free solder used in the board (material : Sn-Ag-Cu, melting point : 219 Centigrade)

Forward side



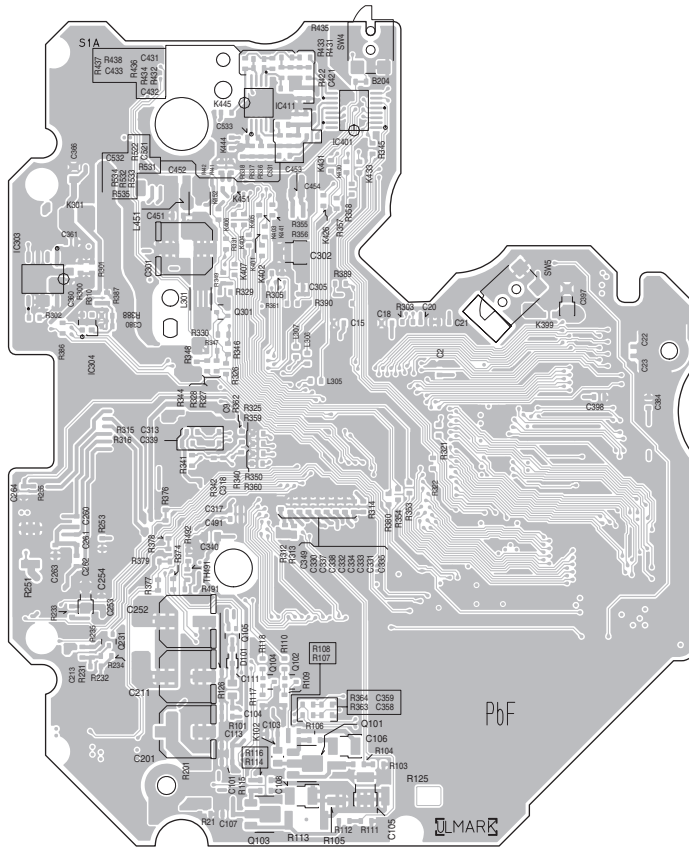
Reverse side



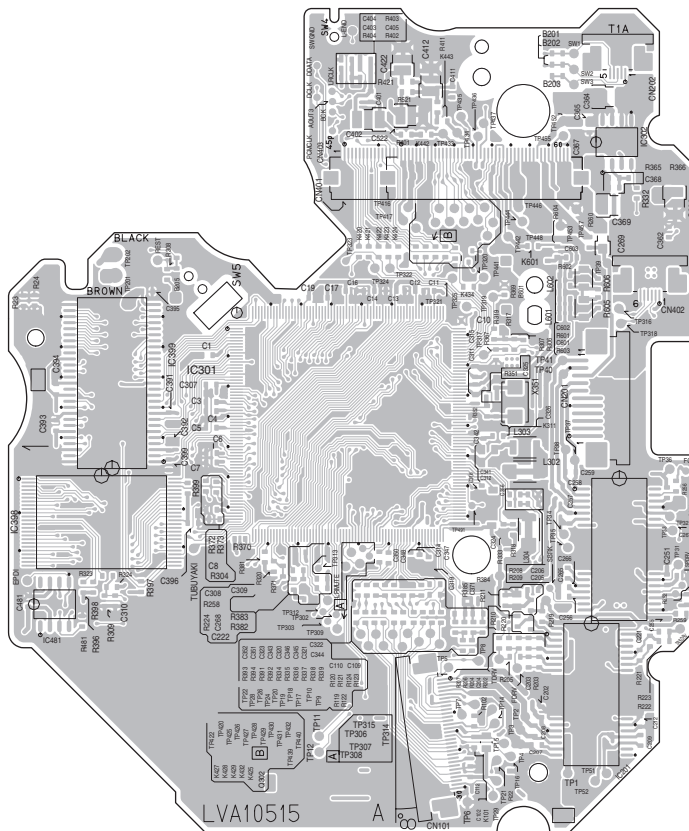
Front end board

Lead free solder used in the board (material : Sn-Ag-Cu, melting point : 219 Centigrade)

Forward side



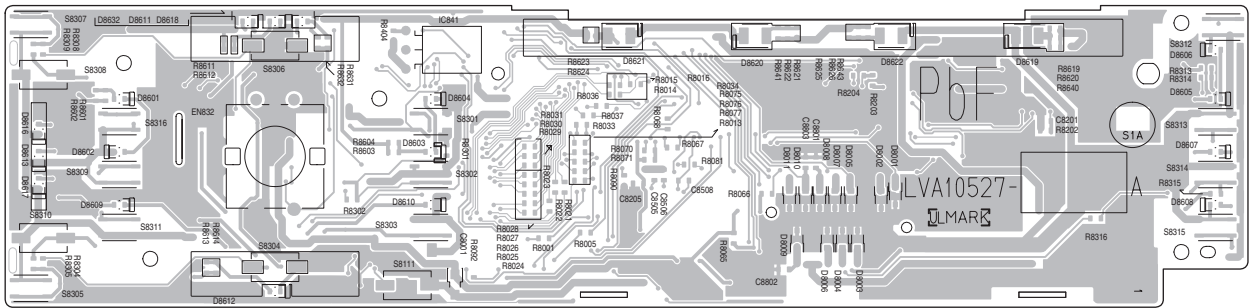
Reverse side



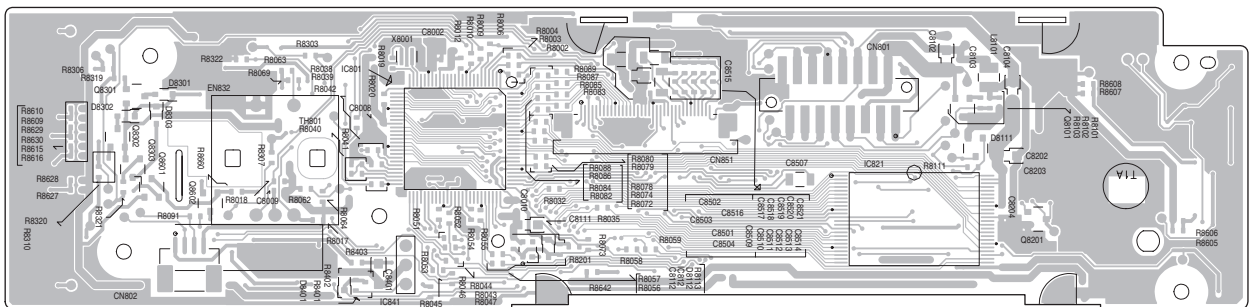
■ Switch board

Lead free solder used in the board (material : Sn-Ag-Cu, melting point : 219 Centigrade)

Forward side



Reverse side



JVC

Victor Company of Japan, Limited

AV & MULTIMEDIA COMPANY CAR ELECTRONICS CATEGORY 10-1, 1chome, Ohwatari-machi, Maebashi-city, 371-8543, Japan

(No.MA161SCH)



Printed in Japan
VPT

PARTS LIST

[KD-NX901]

* All printed circuit boards and its assemblies are not available as service parts.

Area suffix

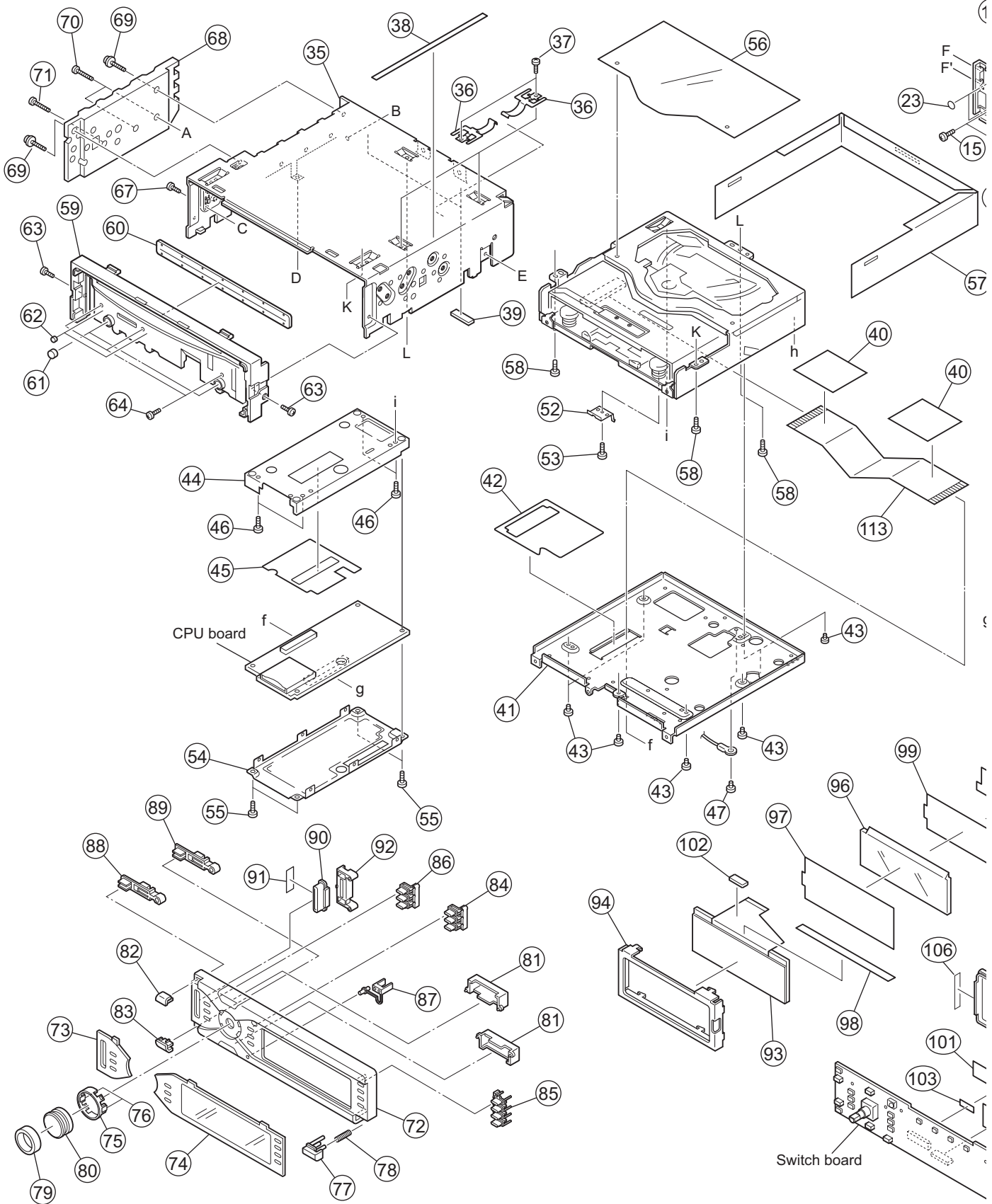
E ----- Southern Europe

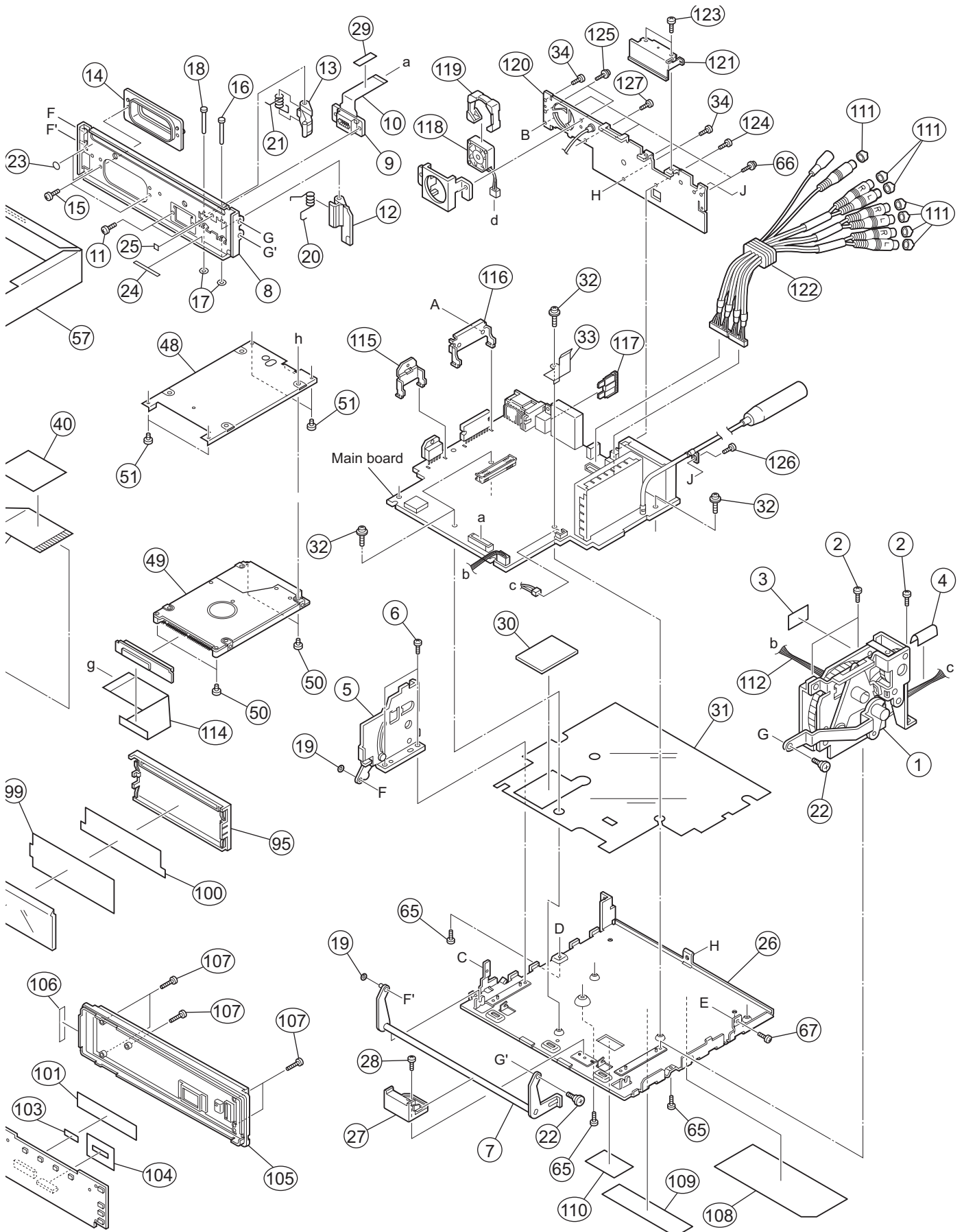
- Contents -

Exploded view of general assembly and parts list (Block No.M1)-----	3- 2
DVD mechanism assembly and parts list (Block No.MJ)-----	3- 6
Electrical parts list (Block No.01~04)-----	3- 9
Packing materials and accessories parts list (Block No.M3)-----	3-20

Exploded view of general assembly and parts list

Block No. **M 1 M M**





General Assembly

Block No. [M][1][M][M]

Symbol No.	Part No.	Part Name	Description	Local
1	GE20156-001A	GEAR BKT UNIT		
2	LV40865-002A	MINI SCREW	(x3)	
3	LV40847-002A	SPACER		
4	FSYH4036-100	SHEET		
5	GE30968-002A	LEVER BKT UNIT		
6	LV40865-002A	MINI SCREW	(x2)	
7	GE30964-003A	LOWER LEVER ASS		
8	LV35330-001A	FRONT BKT ASSY		
9	QNZ0664-003	CAR CONNECTOR		
10	QAL0587-001	FPC		
11	QYSPSGU2040MA	TAP SCREW	M2 x 4mm(x2)	
12	LV35484-001A	DETACH LEVER		
13	GE30973-001A	KICK LEVER		
14	LV35381-001A	SD GUIDE		
15	VKZ4777-009	MINI SCREW	(x2)	
16	GE40192-002A	SHAFT		
17	QYWDL123525	SLIT WASHER	3.5mm/1.2mm x 0.25mm(x2)	
18	GE40193-002A	SHAFT		
19	QYWDL215025	SLIT WASHER	5mm/2.1mm x 0.25mm(x2)	
20	GE40194-001A	T SPRING		
21	GE40195-002A	T SPRING		
22	LV42181-002A	SPECIAL SCREW	(x2)	
23	GE40218-009A	SHEET	(x2)	
24	LV40848-059A	SPACER(P)		
25	LV43971-001A	ABSORBER		
26	LV10971-001A	BOTTOM CHASSIS		
27	GE30974-001A	FPC GUIDE		
28	LV40865-002A	MINI SCREW		
29	FSYH4036-100	SHEET		
30	LV44079-001A	COOLING RUBBER		
31	LV35327-001A	INSULATOR		
32	LV41200-004A	SPECIAL SCREW	(x4)	
33	LV36216-001A	CONTACT PLATE		
34	LV41200-004A	SPECIAL SCREW	(x2)	
35	LV10970-002A	TOP CHASSIS		
36	LV35751-001A	EARTH SPRING	(x2)	
37	QYSDST2604ZA	TAP SCREW	M2.6 x 4mm(x2)	
38	LV40848-061A	SPACER(P)		
39	LV40849-011A	SPACER(R)	(x2)	
40	LV44221-001A	PROTECT SHEET	(x2)	
41	LV35323-001A	C CHASSIS ASSY		
42	LV44224-001A	SHEET(A)		
43	QYSDST2003ZA	TAP SCREW	M2 x 3mm(x6)	
44	LV21828-001A	CPU CASE(TOP)		
45	LV44225-001A	SHEET(B)		
46	VKZ4539-055	MINI SCREW	(x4)	
47	QYSDST2003ZA	TAP SCREW	M2 x 3mm	
48	LV35320-001A	HDD BRACKET		
49	QAL0673-001	HDD		
50	LV44056-001A	SPECIAL SCREW	(x4)	
51	VKZ4539-055	MINI SCREW	(x4)	
52	LV44008-001A	HDD EARTH		
53	VKZ4539-055	MINI SCREW		
54	LV21829-001A	CPU CASE(BOTTOM)		
55	VKZ4539-055	MINI SCREW	(x4)	
56	LV34460-001A	INSULATOR		
57	LV21894-001A	MECHA COVER		
58	QYSDST2604ZA	TAP SCREW	M2.6 x 4mm(x3)	
59	LV35325-005A	F.CHASSIS ASSY		
60	GE40156-001A	BLIND		
61	GE40196-002A	ABSORBER	(x2)	
62	LV44324-001A	FELT SPACER	(x2)	
63	QYSPSP2003MA	SCREW	M2 x 3mm(x2)	
64	LV43819-003A	SPECIAL SCREW	(x3)	
65	GE40235-001A	SCREW	(x3)	
66	LV41200-004A	SPECIAL SCREW	(x4)	
67	LV41200-004A	SPECIAL SCREW	(x2)	
68	LV35331-002A	HEAT SINK		
69	GE40235-001A	SCREW	(x2)	
70	QYSDST2614ZA	TAP SCREW	M2.6 x 14mm(x2)	
71	QYSDST2614ZA	TAP SCREW	M2.6 x 14mm	
72	LV35542-002A	FRONT PANEL ASSY		
73	LV35513-002A	FINDER(L)		
74	LV21876-002A	FINDER(R)		

△	Symbol No.	Part No.	Part Name	Description	Local
	75	LV35515-001A	KNOB RING		
	76	LV40848-057A	SPACER(P)	(x2)	
	77	LV35516-004A	DETACH BUTTON		
	78	LV44055-001A	COMPRESSION SPRING		
	79	LV35545-001A	VOL. RUBBER		
	80	LV35547-001A	VOL.KNOB ASSY		
	81	LV35508-001A	SOURCE WALL	(x2)	
	82	LV35517-007A	BUTTON EJECT		
	83	LV35518-006A	BUTTON POWER		
	84	LV35519-001A	PRESET BTN(L)		
	85	LV35520-001A	PRESET BTN(R)		
	86	LV35521-001A	BUTTON SELECT		
	87	LV35541-002A	RESET BUTTON		
	88	LV35522-001A	EJECT BASE		
	89	LV35523-001A	POWER BASE		
	90	LV35507-001A	VOLUME BUTTON		
	91	LV40847-021A	SPACER(H)		
	92	LV35506-001A	VOLUME WALL		
	93	QLD0344-001	LCD MODULE		
	94	LV35458-001A	LCD CASE		
	95	LV21877-001A	LCD HOLDER		
	96	LV35514-004A	LCD LENS		
	97	LV44060-001A	LCD FILTER		
	98	LV43912-001A	SHEET		
	99	LV44061-002A	LENS SHEET		
	100	LV44062-002A	COLOR FILTER		
	101	LV40848-034A	SPACER(P)		
	102	LV40846-036A	SPACER(F)		
	103	LV43084-001A	DOUBLE FACE		
	104	LV43889-001A	SW PWB SHEET		
	105	LV10988-002A	REAR COVER		
	106	LV40848-058A	SPACER(P)		
	107	VKZ4777-006	MINI SCREW	(x5)	
	108	LV35550-001A	NAME PLATE		
	109	LV41843-002A	LASER CAUTION		
	110	GE40218-011A	SHEET		
	111	GE40101-001A	PIN CAP	(x7)	
	112	QJJ010-040904-E	SIN CR C-C WIR		
	113	QUQF05-6018AC	FFC WIRE	60pin 18cm	
	114	QUQ105-5010BD	FFC WIRE	50pin 10cm	
	115	LV43968-001A	IC BRACKET(REG)		
	116	LV43967-001A	IC BRACKET		
△	117	QMFZ039-150-T	FUSE	15A	
	118	QAR0353-001	FAN		
	119	LV43966-001A	FAN BRACKET		
	120	LV35321-001A	REAR BRACKET		
	121	LV35406-001A	WIRE COVER		
	122	QAM0695-001	PIN CABLE		
	123	LV41200-004A	SPECIAL SCREW	(x3)	
	124	QYSDF3008ZA	TAP SCREW	M3 x 8mm	
	125	LV41200-004A	SPECIAL SCREW	(x2)	
	126	LV41200-004A	SPECIAL SCREW		
	127	LV41200-004A	SPECIAL SCREW		

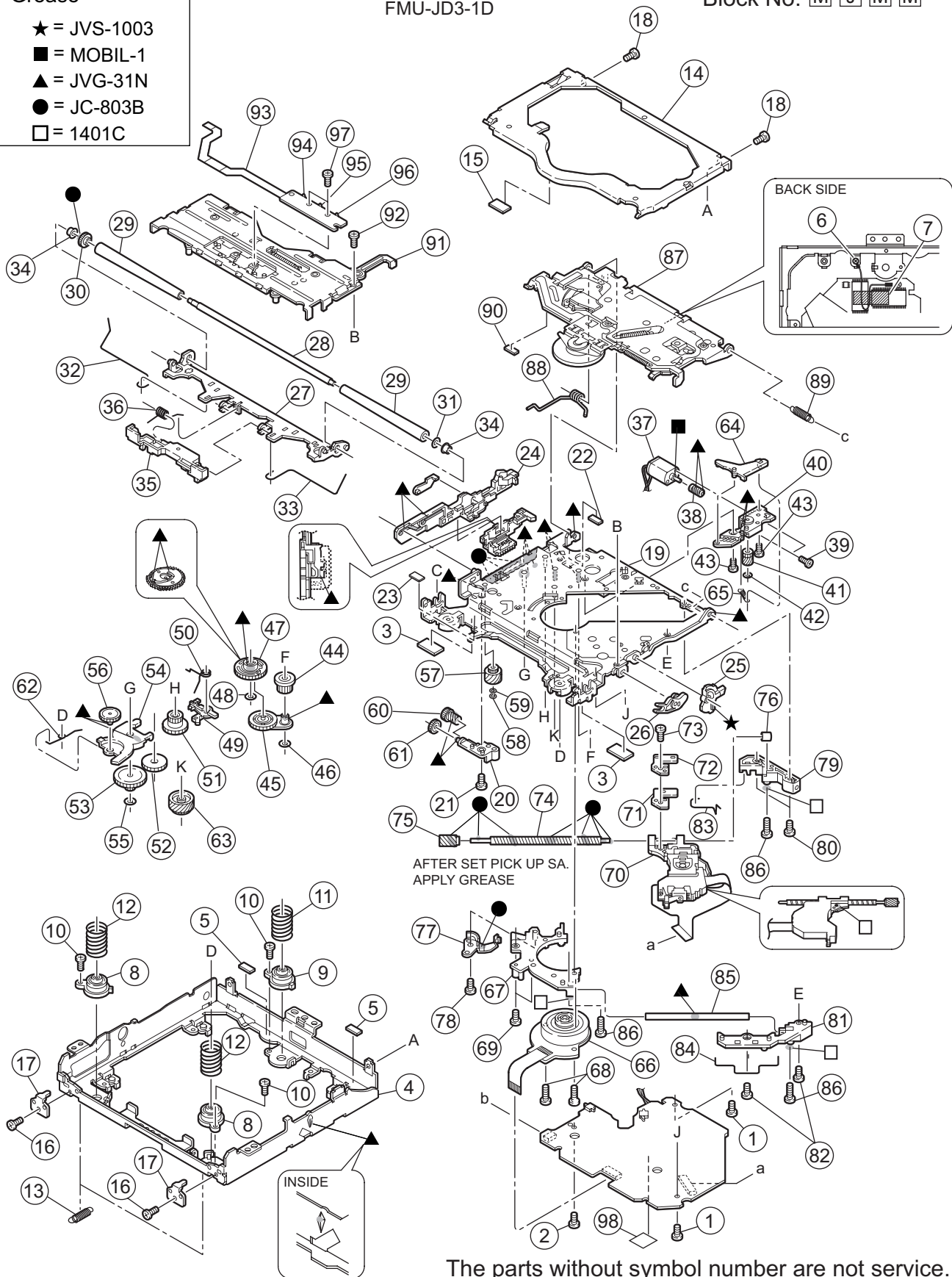
DVD mechanism assembly and parts list

Grease

- ★ = JVS-1003
- = MOBIL-1
- ▲ = JVG-31N
- = JC-803B
- = 1401C

FMU-JD3-1D

Block No. M J M M



The parts without symbol number are not service.

DVD mechanism

Block No. [M][J][M][M]

△	Symbol No.	Part No.	Part Name	Description	Local
	1	VKZ4539-056	MINI SCREW	(x2)	
	2	QYSPSFT2040ZA	TAP SCREW	M2 x 4mm	
	3	LV43481-001A	COOLING RUBBER	(x2)	
	4	LV10674-003A	CHASSIS FRAME		
	5	LV30225-0J6A	SPACER	(x2)	
	6	VKZ4539-056	MINI SCREW		
	7	VYSA1R4-056	SPACER		
	8	LV33684-001A	DAMPER(F)	(x2)	
	9	LV33685-001A	DAMPER(R)		
	10	QYSDST2005ZA	TAP SCREW	M2 x 5mm(x3)	
	11	LV43039-001A	DAMPER SP.(R)		
	12	LV43040-001A	DAMPER SP.(F)	(x2)	
	13	LV43041-001A	FLOATING SPRING	(x2)	
	14	LV10675-001A	TOP COVER		
	15	LV30225-0J5A	SPACER		
	16	VKZ4539-056	MINI SCREW	(x2)	
	17	LV33669-001A	STOPPER	(x2)	
	18	VKZ4539-056	MINI SCREW	(x2)	
	19	LV21297-002A	CHAS. BASE ASSY		
	20	LV33608-001A	GEAR HOLDER		
	21	VKZ4539-056	MINI SCREW		
	22	LV43561-002A	ABSORBER		
	23	LV30225-0J5A	SPACER		
	24	LV33683-003A	SLIDE CAM ASSY		
	25	LV33610-001A	FLOATING ARM		
	26	LV33611-001A	CONNECT ARM		
	27	LV33678-003A	LOADING A. ASSY		
	28	LV43049-001A	LOADING SHAFT		
	29	LV43052-003A	ROLLER	(x2)	
	30	LV33612-001A	LOADING GEAR		
	31	QYWFM124013	WASHER	4mm/1.2mm x 0.13mm	
	32	LV43053-002A	ROD(L)		
	33	LV43054-003A	ROD(R)		
	34	LV43001-001A	COLLAR	(x2)	
	35	LV21285-002A	PROTECTOR		
	36	LV43055-001A	PROTECTOR SP.		
	37	QAR0144-003	MOTOR		
	38	LV43002-002A	WORM GEAR		
	39	QYSPSPT2025MA	SCREW	M2 x 2.5mm(x2)	
	40	LV33679-001A	MOTOR H. ASSY		
	41	LV33614-002A	WORM WHEEL		
	42	QYWDL1230250	SLIT WASHER	3mm/1.2mm x 0.25mm	
	43	VKZ4539-056	MINI SCREW	(x2)	
	44	LV33615-001A	GEAR 2		
	45	LV43057-003A	IDLER ARM ASSY		
	46	QYWDL1635252	SLIT WASHER	3.5mm/1.6mm x 0.25mm	
	47	LV21286-001A	CONTROL CAM		
	48	QYWDL1230196	SLIT WASHER	3mm/1.2mm x 0.19mm	
	49	LV33616-001A	LOAD.LOCK LEVER		
	50	LV43060-001A	CAM SPRING		
	51	LV43005-001A	GEAR 4		
	52	LV43006-001A	GEAR 5		
	53	LV33617-001A	GEAR 6		
	54	LV33618-002A	LOADING G. ARM		
	55	QYWDL1635252	SLIT WASHER	3.5mm/1.6mm x 0.25mm	
	56	LV43007-001A	GEAR 7		
	57	LV33619-002A	GEAR 8		
	58	LV42132-001A	E RING		
	59	QYWFM215013	WASHER	5mm/2.1mm x 0.13mm	
	60	LV33620-001A	GEAR 9		
	61	LV43008-001A	GEAR10		
	62	LV43061-001A	LOAD SPRING		
	63	LV33621-001A	FEED GEAR		
	64	LV33622-001A	TRIGGER ARM		
	65	LV43062-001A	FEED TRI.SPRING		
	66	QAR0240-001	SPINDLE MOTOR		
	67	LV21287-002A	SPINDLE BASE		
	68	LV44169-001A	SPECIAL SCREW	(x2)	
	69	VKZ4539-056	MINI SCREW	(x2)	
	70	QAL0647-003	DVD PICK UP		
	71	LV33623-002A	RACK PLATE		
	72	LV43009-001A	RACK SPRING		
	73	QYSPSPT1740NA	SCREW	M1.7 x 4mm	
	74	LV43037-001A	LEAD SCREW		

Symbol No.	Part No.	Part Name	Description	Local
75	LV43010-001A	L.S.GEAR		
76	LV43063-001A	L.S.COLLAR		
77	LV43011-001A	THRUST SPRING		
78	QYSPSFT2040ZA	TAP SCREW	M2 x 4mm	
79	LV33624-001A	HOLDER(M)		
80	VKZ4539-056	MINI SCREW	(x2)	
81	LV21288-001A	HOLDER(S)		
82	VKZ4539-056	MINI SCREW	(x2)	
83	LV43064-001A	ROD(M)		
84	LV43065-001A	ROD(S)		
85	LV43066-001A	SUB SHAFT		
86	VKZ4730-002	SPECIAL SCREW	(x3)	
87	LV21298-007A	CLAMPER UNIT		
88	LV43070-001A	CLAMPER SPRING		
89	LV43355-001A	CLAMPER2 SPRING		
90	LV30225-0J6A	SPACER		
91	LV21299-006A	FRONT UNIT		
92	VKZ4539-056	MINI SCREW		
93	LVB30012-001A	SW FPC		
94	NSW0187-001	SWITCH		
95	NSW0187-001	SWITCH		
96	NSW0187-001	SWITCH		
97	VKZ4539-055	MINI SCREW	(x2)	
98	LV44232-001A	GRAPHITE SHEET		

Electrical parts list

Main board

Block No. [0][1]

Symbol No.	Part No.	Part Name	Description	Local
IC11	SAF7730HV/N114F	IC		
IC12	PHK04P02T-X	POWER MOS FET		
IC71	SAA6579T-X	IC		
IC101	NJM4580V-X	IC		
IC102	BD3805F-X	IC		
IC111	NJM4565V-X	IC		
IC121	NJM4580V-X	IC		
IC221	NJM4580V-X	IC		
IC391	BA6956AN	IC		
IC401	CD4066BPW-X	IC		
IC451	MM1510XN-X	IC		
IC461	SN74AHC1G08V-X	IC		
IC462	GP1FA513TZ0F	OPTICAL JACK		
IC601	QAU0397-001	GPS RECEIVER		
IC602	QAL0690-001	GYRO SENSOR		
IC603	AD7920BK5-X	A/D CONVETER		
△ IC701	UPD703263YGC305	IC(MCU)		
IC702	BR24L32F-W-X	IC		
IC703	SN74LV125APW-X	IC		
IC721	PST9121N-X	IC		
IC781	SN74AHCT126PW-X	IC(DIGITAL)		
△ IC901	HA13166	IC		
IC951	TB2906HQ	IC		
IC972	BA15BC0FP-X	IC		
IC973	BD3930FP-X	IC		
IC974	BA33BC0FP-X	IC		
IC981	BD9781HFP-W	IC		
IC982	BD9781HFP-W	IC		
Q1	2SC4083/N/-X	TRANSISTOR		
Q2	2SC4083/N/-X	TRANSISTOR		
Q3	2SC4083/N/-X	TRANSISTOR		
Q31	2SB624/4/-X	TRANSISTOR		
Q32	UN2211-X	TRANSISTOR		
Q101	UN2211-X	TRANSISTOR		
Q381	2SD2391/PQ/-W	TRANSISTOR		
Q382	UN2111-X	TRANSISTOR		
Q383	UN2211-X	TRANSISTOR		
Q384	UN2211-X	TRANSISTOR		
Q385	UN2211-X	TRANSISTOR		
Q386	UN2113-X	TRANSISTOR		
Q391	UN2211-X	TRANSISTOR		
Q601	2SB709A/Q/-X	TRANSISTOR		
Q602	2SB709A/Q/-X	TRANSISTOR		
Q901	UN2111-X	TRANSISTOR		
Q902	UN2211-X	TRANSISTOR		
Q903	2SB709A/Q/-X	TRANSISTOR		
Q904	2SD601A/R/-X	TRANSISTOR		
Q905	UN2211-X	TRANSISTOR		
Q906	UN2211-X	TRANSISTOR		
Q907	UN2111-X	TRANSISTOR		
Q908	UN2211-X	TRANSISTOR		
Q909	UN2111-X	TRANSISTOR		
Q910	UN2211-X	TRANSISTOR		
Q921	2SB1132/QR/-W	TRANSISTOR		
Q922	UN2211-X	TRANSISTOR		
Q941	UN2111-X	TRANSISTOR		
Q942	UN2113-X	TRANSISTOR		
Q943	UN2211-X	TRANSISTOR		
Q951	2SD601A/R/-X	TRANSISTOR		
Q952	UN2211-X	TRANSISTOR		
Q953	UN2213-X	DIGI TRANSISTOR		
Q954	UN2113-X	TRANSISTOR		
Q1101	2SD2114K/VW/-X	TRANSISTOR		
Q1110	UN2111-X	TRANSISTOR		
Q1251	2SD2114K/VW/-X	TRANSISTOR		
Q1252	2SD2114K/VW/-X	TRANSISTOR		
Q2251	2SD2114K/VW/-X	TRANSISTOR		
Q2252	2SD2114K/VW/-X	TRANSISTOR		
Q4102	UN2215-X	TRANSISTOR		
Q4202	UN2215-X	TRANSISTOR		
Q7001	UN2213-X	DIGI TRANSISTOR		

Symbol No.	Part No.	Part Name	Description	Local
Q7002	UN2213-X	DIGI TRANSISTOR		
Q7501	UN2211-X	TRANSISTOR		
Q7905	UN2211-X	TRANSISTOR		
D1	MA8056/M/-X	Z DIODE		
D2	MA8056/M/-X	Z DIODE		
D381	MA8120/M/-X	Z DIODE		
D382	RB160M-30-X	SB DIODE		
D384	MA8091/L/-X	Z DIODE		
D391	UDZS3.9B-X	Z DIODE		
D461	RB160M-30-X	SB DIODE		
D601	MA111-X	SI DIODE		
D602	MA111-X	SI DIODE		
△ D901	1N5404-TU-15	DIODE		
D904	RB160M-30-X	SB DIODE		
D905	RB160M-30-X	SB DIODE		
D906	MA152WA-X	DIODE		
D907	MA111-X	SI DIODE		
D941	MA8110/M/-X	Z DIODE		
D942	MA111-X	SI DIODE		
D943	MA111-X	SI DIODE		
D952	MA8110/M/-X	Z DIODE		
D953	MA111-X	SI DIODE		
D1103	MA111-X	SI DIODE		
D1104	MA111-X	SI DIODE		
D1201	MA8051/M/-X	Z DIODE		
D1251	MA111-X	SI DIODE		
D1252	MA111-X	SI DIODE		
D2201	MA8051/M/-X	Z DIODE		
D2251	MA111-X	SI DIODE		
D2252	MA111-X	SI DIODE		
D7002	MA111-X	SI DIODE		
D7201	MA111-X	SI DIODE		
D7501	MA8056/M/-X	Z DIODE		
D7502	MA8056/M/-X	Z DIODE		
D7503	MA8056/M/-X	Z DIODE		
D7504	MA8056/M/-X	Z DIODE		
D7505	MA8056/M/-X	Z DIODE		
D7506	MA8056/M/-X	Z DIODE		
D7507	MA8056/M/-X	Z DIODE		
D7508	MA8056/M/-X	Z DIODE		
D7509	MA8056/M/-X	Z DIODE		
D7510	MA8056/M/-X	Z DIODE		
D7511	SML-310LT/MN/-X	LED		
D7521	MA8047/M/-X	Z DIODE		
D7801	MA111-X	SI DIODE		
D9702	1SR154-400-X	DIODE		
D9801	RB050L-40-X	DIODE		
D9802	RB050L-40-X	DIODE		
D9803	RB050L-40-X	DIODE		
C1	NDC31HJ-820X	C CAPACITOR	82pF 50V J	
C4	NCB31HK-102X	C CAPACITOR	1000pF 50V K	
C5	NCB31HK-102X	C CAPACITOR	1000pF 50V K	
C6	NCB31HK-102X	C CAPACITOR	1000pF 50V K	
C7	NDC31HJ-150X	C CAPACITOR	15pF 50V J	
C8	NCB31HK-102X	C CAPACITOR	1000pF 50V K	
C9	NCB31HK-102X	C CAPACITOR	1000pF 50V K	
C10	NCB31HK-102X	C CAPACITOR	1000pF 50V K	
C11	NCB31HK-102X	C CAPACITOR	1000pF 50V K	
C12	NCB31HK-102X	C CAPACITOR	1000pF 50V K	
C13	NCB31HK-102X	C CAPACITOR	1000pF 50V K	
C14	NCJ11EK-106X-R	C CAPA		
C32	NBE51CM-476X	TA E CAPACITOR	47uF 16V M	
C34	NBE51CM-476X	TA E CAPACITOR	47uF 16V M	
C42	NCB31HK-102X	C CAPACITOR	1000pF 50V K	
C43	NCB31HK-102X	C CAPACITOR	1000pF 50V K	
C45	NDC31HJ-391X	C CAPACITOR	390pF 50V J	
C71	NBE51CM-476X	TA E CAPACITOR	47uF 16V M	
C72	NCB31EK-473X	C CAPACITOR	0.047uF 25V K	
C73	NBE50JM-107X	TA E CAPACITOR	100uF 6.3V M	
C74	NBE21AM-475X	TA E CAPACITOR	4.7uF 10V M	
C75	NCB31EK-223X	C CAPACITOR	0.022uF 25V K	
C76	NCS31HJ-561X	C CAPACITOR	560pF 50V J	
C77	NCB31HK-103X	C CAPACITOR	0.01uF 50V K	
C78	NBE41AM-476X	TA E CAPACITOR	47uF 10V M	

△ Symbol No.	Part No.	Part Name	Description	Local	△ Symbol No.	Part No.	Part Name	Description	Local
C79	NDC31HJ-220X	C CAPACITOR	22pF 50V J		C465	NDC31HJ-220X	C CAPACITOR	22pF 50V J	
C80	NDC31HJ-270X	C CAPACITOR	27pF 50V J		C466	NCB31HK-103X	C CAPACITOR	0.01uF 50V K	
C81	NDC31HJ-101X	C CAPACITOR	100pF 50V J		C601	NBE40JM-476X	TA E CAPACITOR	47uF 6.3V M	
C82	NCB31HK-103X	C CAPACITOR	0.01uF 50V K		C602	NCB31EK-473X	C CAPACITOR	0.047uF 25V K	
C83	NDC31HJ-101X	C CAPACITOR	100pF 50V J		C605	NBE41CM-106X	TA E CAPACITOR	10uF 16V M	
C84	NDC31HJ-101X	C CAPACITOR	100pF 50V J		C606	NCB31CK-104X	C CAPACITOR	0.1uF 16V K	
C101	NBE40JM-476X	TA E CAPACITOR	47uF 6.3V M		C607	NCB31CK-104X	C CAPACITOR	0.1uF 16V K	
C102	NCB31CK-104X	C CAPACITOR	0.1uF 16V K		C608	NCB31CK-104X	C CAPACITOR	0.1uF 16V K	
C103	NBE50JM-107X	TA E CAPACITOR	100uF 6.3V M		C609	NCB31CK-104X	C CAPACITOR	0.1uF 16V K	
C104	NCB31CK-104X	C CAPACITOR	0.1uF 16V K		C611	NDC31HJ-101X	C CAPACITOR	100pF 50V J	
C105	NBE20JM-226X	TA E CAPACITOR	22uF 6.3V M		C612	NDC31HJ-101X	C CAPACITOR	100pF 50V J	
C106	NCB31EK-473X	C CAPACITOR	0.047uF 25V K		C613	NCB31CK-104X	C CAPACITOR	0.1uF 16V K	
C107	NBE40GM-227X	TA E CAPACITOR	220uF 4V M		C614	NCB31CK-104X	C CAPACITOR	0.1uF 16V K	
C114	NCB31EK-473X	C CAPACITOR	0.047uF 25V K		C615	NBE40JM-476X	TA E CAPACITOR	47uF 6.3V M	
C115	NBE20JM-475X	TA E CAPACITOR	4.7uF 6.3V M		C616	NBE40JM-476X	TA E CAPACITOR	47uF 6.3V M	
C116	NDC31HJ-101X	C CAPACITOR	100pF 50V J		C617	NDC31HJ-101X	C CAPACITOR	100pF 50V J	
C117	NDC31HJ-101X	C CAPACITOR	100pF 50V J		C618	NDC31HJ-101X	C CAPACITOR	100pF 50V J	
C122	NBE40JM-476X	TA E CAPACITOR	47uF 6.3V M		C622	NCB31HK-102X	C CAPACITOR	1000pF 50V K	
C123	NCB31CK-104X	C CAPACITOR	0.1uF 16V K		C901	QEZ0722-338	E CAPACITOR	3300uF	
C124	NBE40JM-476X	TA E CAPACITOR	47uF 6.3V M		C902	NEAG1CM-226X	E CAPACITOR	22uF 16V M	
C126	NCB31EK-333X	C CAPACITOR	0.033uF 25V K		C903	NEAG1CM-226X	E CAPACITOR	22uF 16V M	
C127	NBE50JM-107X	TA E CAPACITOR	100uF 6.3V M		C904	NCB31HK-103X	C CAPACITOR	0.01uF 50V K	
C128	NCB31CK-104X	C CAPACITOR	0.1uF 16V K		C905	NEAG1CM-226X	E CAPACITOR	22uF 16V M	
C129	NBE50JM-107X	TA E CAPACITOR	100uF 6.3V M		C906	NCB31CK-104X	C CAPACITOR	0.1uF 16V K	
C134	NCB31CK-104X	C CAPACITOR	0.1uF 16V K		C907	NCB31HK-103X	C CAPACITOR	0.01uF 50V K	
C135	NCB31EK-473X	C CAPACITOR	0.047uF 25V K		C908	NEAG1CM-106X	E CAPACITOR	10uF 16V M	
C136	NCB31EK-223X	C CAPACITOR	0.022uF 25V K		C909	NCB31CK-104X	C CAPACITOR	0.1uF 16V K	
C137	NBE21CM-105X	TA E CAPACITOR	1uF 16V M		C910	NEAG1CM-106X	E CAPACITOR	10uF 16V M	
C138	NDC31HJ-471X	C CAPACITOR	470pF 50V J		C911	NEAG1CM-226X	E CAPACITOR	22uF 16V M	
C142	NCB31EK-473X	C CAPACITOR	0.047uF 25V K		C912	NEAG1HM-225X	E CAPACITOR	2.2uF 50V M	
C143	NDC31HJ-101X	C CAPACITOR	100pF 50V J		C913	NCB31HK-103X	C CAPACITOR	0.01uF 50V K	
C144	NDC31HJ-101X	C CAPACITOR	100pF 50V J		C914	NEAG1CM-106X	E CAPACITOR	10uF 16V M	
C145	NCB31EK-473X	C CAPACITOR	0.047uF 25V K		C915	NCB31CK-104X	C CAPACITOR	0.1uF 16V K	
C152	NCB31EK-223X	C CAPACITOR	0.022uF 25V K		C916	NDC31HJ-101X	C CAPACITOR	100pF 50V J	
C156	NCB31EK-473X	C CAPACITOR	0.047uF 25V K		C930	NCB31HK-103X	C CAPACITOR	0.01uF 50V K	
C157	NCB31EK-473X	C CAPACITOR	0.047uF 25V K		C941	NEAG1CM-476X	E CAPACITOR	47uF 16V M	
C158	NCB31EK-223X	C CAPACITOR	0.022uF 25V K		C942	NEAG0JM-107X	E CAPACITOR	100uF 6.3V M	
C159	NCB31EK-473X	C CAPACITOR	0.047uF 25V K		C950	NEAG1CM-476X	E CAPACITOR	47uF 16V M	
C160	NCB31EK-473X	C CAPACITOR	0.047uF 25V K		C951	NEAG1CM-226X	E CAPACITOR	22uF 16V M	
C161	NDC31HJ-100X	C CAPACITOR	10pF 50V J		C952	NCB31CK-224X	C CAPACITOR	0.22uF 16V K	
C162	NDC31HJ-100X	C CAPACITOR	10pF 50V J		C953	NEAG1CM-106X	E CAPACITOR	10uF 16V M	
C163	NCB31HK-103X	C CAPACITOR	0.01uF 50V K		C954	NEAG1HM-225X	E CAPACITOR	2.2uF 50V M	
C164	NBE40JM-476X	TA E CAPACITOR	47uF 6.3V M		C955	NEAG1HM-225X	E CAPACITOR	2.2uF 50V M	
C165	NCB31CK-104X	C CAPACITOR	0.1uF 16V K		C960	NEAG1CM-476X	E CAPACITOR	47uF 16V M	
C166	NDC31HJ-181X	C CAPACITOR	180pF 50V J		C961	NDC31HJ-101X	C CAPACITOR	100pF 50V J	
C167	NDC31HJ-391X	C CAPACITOR	390pF 50V J		C962	NDC31HJ-101X	C CAPACITOR	100pF 50V J	
C168	NDC31HJ-101X	C CAPACITOR	100pF 50V J		C963	NDC31HJ-101X	C CAPACITOR	100pF 50V J	
C169	NCB31CK-104X	C CAPACITOR	0.1uF 16V K		C964	NDC31HJ-101X	C CAPACITOR	100pF 50V J	
C170	NBE40JM-476X	TA E CAPACITOR	47uF 6.3V M		C965	NDC31HJ-101X	C CAPACITOR	100pF 50V J	
C171	NCB31CK-104X	C CAPACITOR	0.1uF 16V K		C966	NDC31HJ-101X	C CAPACITOR	100pF 50V J	
C172	NBE40JM-476X	TA E CAPACITOR	47uF 6.3V M		C967	NDC31HJ-101X	C CAPACITOR	100pF 50V J	
C173	NCB31CK-104X	C CAPACITOR	0.1uF 16V K		C968	NDC31HJ-101X	C CAPACITOR	100pF 50V J	
C174	NBE20JM-226X	TA E CAPACITOR	22uF 6.3V M		C969	NEAG1CM-476X	E CAPACITOR	47uF 16V M	
C175	NBE20JM-226X	TA E CAPACITOR	22uF 6.3V M		C970	NCB31EK-473X	C CAPACITOR	0.047uF 25V K	
C176	NBE20JM-226X	TA E CAPACITOR	22uF 6.3V M		C1001	NCB31HK-332X	C CAPACITOR	3300pF 50V K	
C177	NBE20JM-226X	TA E CAPACITOR	22uF 6.3V M		C1002	NBE21AM-475X	TA E CAPACITOR	4.7uF 10V M	
C178	NBE20JM-226X	TA E CAPACITOR	22uF 6.3V M		C1004	NDC31HJ-821X	C CAPACITOR	820pF 50V J	
C179	NCB31CK-104X	C CAPACITOR	0.1uF 16V K		C1006	NDC31HJ-121X	C CAPACITOR	120pF 50V J	
C180	NCB31CK-104X	C CAPACITOR	0.1uF 16V K		C1007	NFV81CM-105X	MF CAPACITOR	1uF 16V M	
C181	NBE20JM-226X	TA E CAPACITOR	22uF 6.3V M		C1008	NBE41AM-476X	TA E CAPACITOR	47uF 10V M	
C182	NBE40JM-476X	TA E CAPACITOR	47uF 6.3V M		C1009	NDC31HJ-101X	C CAPACITOR	100pF 50V J	
C381	NCB31HK-103X	C CAPACITOR	0.01uF 50V K		C1010	NBE51CM-476X	TA E CAPACITOR	47uF 16V M	
C382	NBE41DM-106X	TA E CAPACITOR	10uF 20V M		C1011	NBE41CM-106X	TA E CAPACITOR	10uF 16V M	
C383	NBE41DM-106X	TA E CAPACITOR	10uF 20V M		C1012	NBE41CM-106X	TA E CAPACITOR	10uF 16V M	
C384	NCB31CK-105X	C CAPACITOR	1uF 16V K		C1013	NCB31CK-104X	C CAPACITOR	0.1uF 16V K	
C391	NBE41CM-106X	TA E CAPACITOR	10uF 16V M		C1101	NCB31HK-332X	C CAPACITOR	3300pF 50V K	
C392	NCB31EK-473X	C CAPACITOR	0.047uF 25V K		C1102	NBE21AM-475X	TA E CAPACITOR	4.7uF 10V M	
C393	NCB31CK-104X	C CAPACITOR	0.1uF 16V K		C1103	NCB31HK-222X	C CAPACITOR	2200pF 50V K	
C451	NBE51CM-476X	TA E CAPACITOR	47uF 16V M		C1104	NCB31EK-183X	C CAPACITOR	0.018uF 25V K	
C452	NCB31EK-473X	C CAPACITOR	0.047uF 25V K		C1105	NFV81CM-105X	MF CAPACITOR	1uF 16V M	
C453	NBE40GM-227X	TA E CAPACITOR	220uF 4V M		C1106	NBE21AM-106X	TA E CAPACITOR	10uF 10V M	
C454	NCB20JM-475X	C CAPACITOR	4.7uF 6.3V M		C1107	NBE41CM-106X	TA E CAPACITOR	10uF 16V M	
C456	NBE40GM-227X	TA E CAPACITOR	220uF 4V M		C1108	NCB31EK-473X	C CAPACITOR	0.047uF 25V K	
C457	NDC31HJ-101X	C CAPACITOR	100pF 50V J		C1109	NDC31HJ-101X	C CAPACITOR	100pF 50V J	
C461	NDC31HJ-220X	C CAPACITOR	22pF 50V J		C1110	NEAG0JM-107X	E CAPACITOR	100uF 6.3V M	
C462	NCB31HK-103X	C CAPACITOR	0.01uF 50V K		C1111	NDC31HJ-101X	C CAPACITOR	100pF 50V J	
C463	NCB31HK-103X	C CAPACITOR	0.01uF 50V K		C1112	NCB31EK-333X	C CAPACITOR	0.033uF 25V K	
C464	NBE41AM-476X	TA E CAPACITOR	47uF 10V M		C1201	NBE41AM-476X	TA E CAPACITOR	47uF 10V M	

△ Symbol No.	Part No.	Part Name	Description	Local	△ Symbol No.	Part No.	Part Name	Description	Local
C1202	NBE41CM-106X	TA E CAPACITOR	10uF 16V M		C7802	NBE41AM-476X	TA E CAPACITOR	47uF 10V M	
C1211	NBE21AM-475X	TA E CAPACITOR	4.7uF 10V M		C7905	NEAG1HM-105X	E CAPACITOR	1uF 50V M	
C1212	NBE21AM-475X	TA E CAPACITOR	4.7uF 10V M		C9705	NEAG0JM-107X	E CAPACITOR	100uF 6.3V M	
C1213	NCB31AK-474X	C CAPACITOR	0.47uF 10V K		C9706	NEAG0JM-226X	E CAPACITOR	22uF 6.3V M	
C1215	NFV81CM-105X	MF CAPACITOR	1uF 16V M		C9707	NEAG1CM-476X	E CAPACITOR	47uF 16V M	
C1216	NFV81CM-105X	MF CAPACITOR	1uF 16V M		C9708	NEAG0JM-107X	E CAPACITOR	100uF 6.3V M	
C1217	NFV81CM-105X	MF CAPACITOR	1uF 16V M		C9709	NCB31CK-104X	C CAPACITOR	0.1uF 16V K	
C1218	NFV81CM-105X	MF CAPACITOR	1uF 16V M		C9710	NEAG0JM-107X	E CAPACITOR	100uF 6.3V M	
C1219	NDC31HJ-101X	C CAPACITOR	100pF 50V J		C9711	NEAG0JM-107X	E CAPACITOR	100uF 6.3V M	
C1220	NDC31HJ-101X	C CAPACITOR	100pF 50V J		C9712	NCB31CK-104X	C CAPACITOR	0.1uF 16V K	
C1255	NCB31EK-473X	C CAPACITOR	0.047uF 25V K		C9713	NCB31EK-473X	C CAPACITOR	0.047uF 25V K	
C1256	NDC31HJ-101X	C CAPACITOR	100pF 50V J		C9720	NBE41AM-106X	TA E CAPACITOR	10uF 10V M	
C1257	NDC31HJ-101X	C CAPACITOR	100pF 50V J		C9721	NCB31EK-473X	C CAPACITOR	0.047uF 25V K	
C1258	NDC31HJ-101X	C CAPACITOR	100pF 50V J		C9722	NBE41AM-106X	TA E CAPACITOR	10uF 10V M	
C1259	NDC31HJ-101X	C CAPACITOR	100pF 50V J		C9723	NCB31EK-473X	C CAPACITOR	0.047uF 25V K	
C1501	NCB31CK-104X	C CAPACITOR	0.1uF 16V K		C9724	NBE41AM-106X	TA E CAPACITOR	10uF 10V M	
C1502	NFV81CM-105X	MF CAPACITOR	1uF 16V M		C9725	NCB31EK-473X	C CAPACITOR	0.047uF 25V K	
C1503	NDC31HJ-101X	C CAPACITOR	100pF 50V J		C9726	NBE41AM-106X	TA E CAPACITOR	10uF 10V M	
C2001	NCB31HK-332X	C CAPACITOR	3300pF 50V K		C9727	NCB31EK-473X	C CAPACITOR	0.047uF 25V K	
C2002	NBE21AM-475X	TA E CAPACITOR	4.7uF 10V M		C9728	NCB31EK-473X	C CAPACITOR	0.047uF 25V K	
C2004	NDC31HJ-821X	C CAPACITOR	820pF 50V J		C9729	NBE41AM-106X	TA E CAPACITOR	10uF 10V M	
C2006	NDC31HJ-121X	C CAPACITOR	120pF 50V J		C9730	NCB31EK-473X	C CAPACITOR	0.047uF 25V K	
C2007	NFV81CM-105X	MF CAPACITOR	1uF 16V M		C9731	NBE51CM-476X	TA E CAPACITOR	47uF 16V M	
C2008	NBE41AM-476X	TA E CAPACITOR	47uF 10V M		C9732	NBE51CM-476X	TA E CAPACITOR	47uF 16V M	
C2201	NBE41AM-476X	TA E CAPACITOR	47uF 10V M		C9801	NEAG1CM-476X	E CAPACITOR	47uF 16V M	
C2202	NBE41CM-106X	TA E CAPACITOR	10uF 16V M		C9802	NCJ11EK-106X-R	C CAPA		
C2211	NBE21AM-475X	TA E CAPACITOR	4.7uF 10V M		C9803	NBZ0022-227X	IC	220uF	
C2212	NBE21AM-475X	TA E CAPACITOR	4.7uF 10V M		C9804	NCB31CK-104X	C CAPACITOR	0.1uF 16V K	
C2213	NCB31AK-474X	C CAPACITOR	0.47uF 10V K		C9805	NCB31HK-472X	C CAPACITOR	4700pF 50V K	
C2215	NFV81CM-105X	MF CAPACITOR	1uF 16V M		C9807	NCJ11EK-106X-R	C CAPA		
C2216	NFV81CM-105X	MF CAPACITOR	1uF 16V M		C9808	NBZ0022-227X	IC	220uF	
C2217	NFV81CM-105X	MF CAPACITOR	1uF 16V M		C9809	NCB31CK-104X	C CAPACITOR	0.1uF 16V K	
C2218	NFV81CM-105X	MF CAPACITOR	1uF 16V M		C9810	NCB31HK-472X	C CAPACITOR	4700pF 50V K	
C2219	NDC31HJ-101X	C CAPACITOR	100pF 50V J		C9811	NBZ0021-336X	C CAPACITOR	33uF	
C2220	NDC31HJ-101X	C CAPACITOR	100pF 50V J		R1	NRSA63J-151X	MG RESISTOR	150Ω 1/16W J	
C2250	NDC31HJ-101X	C CAPACITOR	100pF 50V J		R2	NRSA63J-0R0X	MG RESISTOR	0Ω 1/16W J	
C2258	NDC31HJ-101X	C CAPACITOR	100pF 50V J		R3	NRSA63J-392X	MG RESISTOR	3.9kΩ 1/16W J	
C2502	NFV81CM-105X	MF CAPACITOR	1uF 16V M		R4	NRSA63J-152X	MG RESISTOR	1.5kΩ 1/16W J	
C2503	NDC31HJ-101X	C CAPACITOR	100pF 50V J		R6	NRSA63J-0R0X	MG RESISTOR	0Ω 1/16W J	
C4101	NCB31CK-105X	C CAPACITOR	1uF 16V K		R7	NRSA63J-202X	MG RESISTOR	2kΩ 1/16W J	
C4102	NCB31CK-104X	C CAPACITOR	0.1uF 16V K		R8	NRSA63J-202X	MG RESISTOR	2kΩ 1/16W J	
C4201	NCB31CK-104X	C CAPACITOR	0.1uF 16V K		R9	NRSA63J-0R0X	MG RESISTOR	0Ω 1/16W J	
C7001	NDC31HJ-150X	C CAPACITOR	15pF 50V J		R10	NRSA63J-152X	MG RESISTOR	1.5kΩ 1/16W J	
C7002	NDC31HJ-150X	C CAPACITOR	15pF 50V J		R11	NRSA63J-0R0X	MG RESISTOR	0Ω 1/16W J	
C7003	NDC31HJ-100X	C CAPACITOR	10pF 50V J		R12	NRSA63J-202X	MG RESISTOR	2kΩ 1/16W J	
C7004	NDC31HJ-100X	C CAPACITOR	10pF 50V J		R13	NRSA63J-202X	MG RESISTOR	2kΩ 1/16W J	
C7005	NCB31CK-104X	C CAPACITOR	0.1uF 16V K		R14	NRSA63J-0R0X	MG RESISTOR	0Ω 1/16W J	
C7006	NBE41AM-475X	TA E CAPACITOR	4.7uF 10V M		R15	NRSA63J-152X	MG RESISTOR	1.5kΩ 1/16W J	
C7007	NEAG0GM-227X	E CAPACITOR	220uF 4V M		R16	NRSA63J-0R0X	MG RESISTOR	0Ω 1/16W J	
C7008	NCB31CK-104X	C CAPACITOR	0.1uF 16V K		R17	NRSA63J-0R0X	MG RESISTOR	0Ω 1/16W J	
C7009	NCB31CK-104X	C CAPACITOR	0.1uF 16V K		R31	NRSA63J-101X	MG RESISTOR	100Ω 1/16W J	
C7010	NEAG0GM-227X	E CAPACITOR	220uF 4V M		R33	NRSA63J-0R0X	MG RESISTOR	0Ω 1/16W J	
C7011	NEAG0GM-227X	E CAPACITOR	220uF 4V M		R34	NRSA63J-0R0X	MG RESISTOR	0Ω 1/16W J	
C7012	NEAG0GM-227X	E CAPACITOR	220uF 4V M		R37	NRSA63J-101X	MG RESISTOR	100Ω 1/16W J	
C7015	NCB31HK-103X	C CAPACITOR	0.01uF 50V K		R38	NRSA63J-101X	MG RESISTOR	100Ω 1/16W J	
C7016	NDC31HJ-471X	C CAPACITOR	470pF 50V J		R39	NRSA63J-273X	MG RESISTOR	27kΩ 1/16W J	
C7017	NCB31EK-473X	C CAPACITOR	0.047uF 25V K		R40	NRSA63J-273X	MG RESISTOR	27kΩ 1/16W J	
C7018	NCB31EK-473X	C CAPACITOR	0.047uF 25V K		R41	NRSA63J-220X	MG RESISTOR	22Ω 1/16W J	
C7019	NCB31HK-103X	C CAPACITOR	0.01uF 50V K		R42	NRSA63J-220X	MG RESISTOR	22Ω 1/16W J	
C7020	NCB31HK-103X	C CAPACITOR	0.01uF 50V K		R43	NRSA63J-103X	MG RESISTOR	10kΩ 1/16W J	
C7021	NCB31EK-473X	C CAPACITOR	0.047uF 25V K		R44	NRSA63J-102X	MG RESISTOR	1kΩ 1/16W J	
C7022	NCB31HK-102X	C CAPACITOR	1000pF 50V K		R70	NRSA63J-220X	MG RESISTOR	22Ω 1/16W J	
C7023	NDC31HJ-101X	C CAPACITOR	100pF 50V J		R71	NRSA63J-220X	MG RESISTOR	22Ω 1/16W J	
C7024	NDC31HJ-101X	C CAPACITOR	100pF 50V J		R72	NRSA63J-101X	MG RESISTOR	100Ω 1/16W J	
C7025	NBE40JM-476X	TA E CAPACITOR	47uF 6.3V M		R73	NRSA63J-393X	MG RESISTOR	39kΩ 1/16W J	
C7026	NBE40JM-476X	TA E CAPACITOR	47uF 6.3V M		R74	NRSA63J-222X	MG RESISTOR	2.2kΩ 1/16W J	
C7027	NBE40JM-476X	TA E CAPACITOR	47uF 6.3V M		R75	NRSA63J-473X	MG RESISTOR	47kΩ 1/16W J	
C7028	NDC31HJ-471X	C CAPACITOR	470pF 50V J		R76	NRSA63J-0R0X	MG RESISTOR	0Ω 1/16W J	
C7029	NDC31HJ-101X	C CAPACITOR	100pF 50V J		R78	NRSA63J-222X	MG RESISTOR	2.2kΩ 1/16W J	
C7030	NEAG0GM-227X	E CAPACITOR	220uF 4V M		R79	NRSA63J-222X	MG RESISTOR	2.2kΩ 1/16W J	
C7031	NEAF0GM-337X	E CAPACITOR	330uF 4V M		R101	NRSA63J-101X	MG RESISTOR	100Ω 1/16W J	
C7201	NBE40JM-476X	TA E CAPACITOR	47uF 6.3V M		R102	NRSA63J-100X	MG RESISTOR	10Ω 1/16W J	
C7202	NCB31CK-104X	C CAPACITOR	0.1uF 16V K		R119	NRSA63J-222X	MG RESISTOR	2.2kΩ 1/16W J	
C7501	NBE40JM-476X	TA E CAPACITOR	47uF 6.3V M		R120	NRSA63J-222X	MG RESISTOR	2.2kΩ 1/16W J	
C7502	NCB31HK-103X	C CAPACITOR	0.01uF 50V K		R123	NRSA63J-0R0X	MG RESISTOR	0Ω 1/16W J	
C7503	NDC31HJ-101X	C CAPACITOR	100pF 50V J		R124	NRSA63J-0R0X	MG RESISTOR	0Ω 1/16W J	
C7521	NDC31HJ-471X	C CAPACITOR	470pF 50V J		R128	NRSA63J-103X	MG RESISTOR	10kΩ 1/16W J	
C7801	NCB31EK-473X	C CAPACITOR	0.047uF 25V K						

△ Symbol No.	Part No.	Part Name	Description	Local	△ Symbol No.	Part No.	Part Name	Description	Local
R129	NRSA63J-100X	MG RESISTOR	10Ω 1/16W J		R661	NRSA63J-101X	MG RESISTOR	100Ω 1/16W J	
R132	NRSA63J-101X	MG RESISTOR	100Ω 1/16W J		R901	NRSA63J-103X	MG RESISTOR	10kΩ 1/16W J	
R133	NRSA63J-101X	MG RESISTOR	100Ω 1/16W J		R902	NRSA63J-472X	MG RESISTOR	4.7kΩ 1/16W J	
R134	NRSA63J-101X	MG RESISTOR	100Ω 1/16W J		R903	NRSA63J-562X	MG RESISTOR	5.6kΩ 1/16W J	
R135	NRSA63J-101X	MG RESISTOR	100Ω 1/16W J		R904	NRSA63J-102X	MG RESISTOR	1kΩ 1/16W J	
R136	NRSA63J-101X	MG RESISTOR	100Ω 1/16W J		R905	NRSA63J-103X	MG RESISTOR	10kΩ 1/16W J	
R137	NRSA63J-101X	MG RESISTOR	100Ω 1/16W J		R906	NRSA63J-473X	MG RESISTOR	47kΩ 1/16W J	
R138	NRSA63J-101X	MG RESISTOR	100Ω 1/16W J		R908	NRSA63J-153X	MG RESISTOR	15kΩ 1/16W J	
R139	NRSA63J-101X	MG RESISTOR	100Ω 1/16W J		R909	NRSA63J-473X	MG RESISTOR	47kΩ 1/16W J	
R140	NRSA63J-101X	MG RESISTOR	100Ω 1/16W J		R911	NRS181J-222X	MG RESISTOR	2.2kΩ 1/8W J	
R141	NRSA63J-101X	MG RESISTOR	100Ω 1/16W J		R912	NRS181J-222X	MG RESISTOR	2.2kΩ 1/8W J	
R142	NRSA63J-101X	MG RESISTOR	100Ω 1/16W J		R913	NRSA63J-104X	MG RESISTOR	100kΩ 1/16W J	
R143	NRSA63J-101X	MG RESISTOR	100Ω 1/16W J		R914	NRSA63J-103X	MG RESISTOR	10kΩ 1/16W J	
R144	NRSA63J-101X	MG RESISTOR	100Ω 1/16W J		R915	NRSA63J-473X	MG RESISTOR	47kΩ 1/16W J	
R145	NRSA63J-101X	MG RESISTOR	100Ω 1/16W J		R916	NRSA63J-102X	MG RESISTOR	1kΩ 1/16W J	
R146	NRSA63J-101X	MG RESISTOR	100Ω 1/16W J		R917	NRSA63J-473X	MG RESISTOR	47kΩ 1/16W J	
R147	NRSA63J-101X	MG RESISTOR	100Ω 1/16W J		R918	NRSA63J-473X	MG RESISTOR	47kΩ 1/16W J	
R165	NRSA63J-0R0X	MG RESISTOR	0Ω 1/16W J		R919	NRSA63J-103X	MG RESISTOR	10kΩ 1/16W J	
R166	NRSA63J-0R0X	MG RESISTOR	0Ω 1/16W J		R920	NRSA63J-472X	MG RESISTOR	4.7kΩ 1/16W J	
R382	NRSA63J-471X	MG RESISTOR	470Ω 1/16W J		R921	NRSA63J-0R0X	MG RESISTOR	0Ω 1/16W J	
R383	NRSA63J-0R0X	MG RESISTOR	0Ω 1/16W J		R928	NRSA63J-103X	MG RESISTOR	10kΩ 1/16W J	
R384	NRSA63J-473X	MG RESISTOR	47kΩ 1/16W J		R929	NRSA63J-102X	MG RESISTOR	1kΩ 1/16W J	
R391	NRSA63J-102X	MG RESISTOR	1kΩ 1/16W J		R942	NRSA63J-0R0X	MG RESISTOR	0Ω 1/16W J	
R451	NRSA63J-100X	MG RESISTOR	10Ω 1/16W J		R951	NRSA63J-222X	MG RESISTOR	2.2kΩ 1/16W J	
R452	NRSA63J-750X	MG RESISTOR	75Ω 1/16W J		R952	NRSA63J-273X	MG RESISTOR	27kΩ 1/16W J	
R453	NRSA63J-102X	MG RESISTOR	1kΩ 1/16W J		R953	NRSA63J-102X	MG RESISTOR	1kΩ 1/16W J	
R454	NRSA63J-181X	MG RESISTOR	180Ω 1/16W J		R954	NRSA63J-473X	MG RESISTOR	47kΩ 1/16W J	
R461	NRSA63J-471X	MG RESISTOR	470Ω 1/16W J		R955	NRSA63J-473X	MG RESISTOR	47kΩ 1/16W J	
R462	NRSA63J-100X	MG RESISTOR	10Ω 1/16W J		R956	NRSA63J-154X	MG RESISTOR	150kΩ 1/16W J	
R463	NRSA63J-471X	MG RESISTOR	470Ω 1/16W J		R1001	NRSA63J-203X	MG RESISTOR	20kΩ 1/16W J	
R464	NRSA63J-1R0X	MG RESISTOR	1Ω 1/16W J		R1002	NRSA63J-123X	MG RESISTOR	12kΩ 1/16W J	
R601	NRSA63J-101X	MG RESISTOR	100Ω 1/16W J		R1003	NRSA63J-303X	MG RESISTOR	30kΩ 1/16W J	
R602	NRSA63J-101X	MG RESISTOR	100Ω 1/16W J		R1005	NRSA63J-103X	MG RESISTOR	10kΩ 1/16W J	
R603	NRSA63J-101X	MG RESISTOR	100Ω 1/16W J		R1006	NRSA63J-103X	MG RESISTOR	10kΩ 1/16W J	
R604	NRSA63J-101X	MG RESISTOR	100Ω 1/16W J		R1011	NRSA63J-393X	MG RESISTOR	39kΩ 1/16W J	
R605	NRSA63J-101X	MG RESISTOR	100Ω 1/16W J		R1012	NRSA63J-103X	MG RESISTOR	10kΩ 1/16W J	
R606	NRSA63J-101X	MG RESISTOR	100Ω 1/16W J		R1013	NRSA63J-0R0X	MG RESISTOR	0Ω 1/16W J	
R607	NRSA63J-390X	MG RESISTOR	39Ω 1/16W J		R1014	NRSA63J-0R0X	MG RESISTOR	0Ω 1/16W J	
R608	NRSA63J-101X	MG RESISTOR	100Ω 1/16W J		R1015	NRSA63J-472X	MG RESISTOR	4.7kΩ 1/16W J	
R610	NRSA63J-103X	MG RESISTOR	10kΩ 1/16W J		R1101	NRSA63J-473X	MG RESISTOR	47kΩ 1/16W J	
R611	NRSA63J-473X	MG RESISTOR	47kΩ 1/16W J		R1102	NRSA63J-104X	MG RESISTOR	100kΩ 1/16W J	
R612	NRSA63J-223X	MG RESISTOR	22kΩ 1/16W J		R1103	NRSA63J-103X	MG RESISTOR	10kΩ 1/16W J	
R613	NRSA63J-103X	MG RESISTOR	10kΩ 1/16W J		R1104	NRSA63J-103X	MG RESISTOR	10kΩ 1/16W J	
R614	NRSA63J-223X	MG RESISTOR	22kΩ 1/16W J		R1105	NRSA63J-103X	MG RESISTOR	10kΩ 1/16W J	
R615	NRSA63J-102X	MG RESISTOR	1kΩ 1/16W J		R1106	NRSA63J-473X	MG RESISTOR	47kΩ 1/16W J	
R616	NRSA63J-223X	MG RESISTOR	22kΩ 1/16W J		R1107	NRSA63J-104X	MG RESISTOR	100kΩ 1/16W J	
R617	NRSA63J-223X	MG RESISTOR	22kΩ 1/16W J		R1108	NRSA63J-473X	MG RESISTOR	47kΩ 1/16W J	
R618	NRSA63J-103X	MG RESISTOR	10kΩ 1/16W J		R1109	NRSA63J-821X	MG RESISTOR	820Ω 1/16W J	
R628	NRSA63J-104X	MG RESISTOR	100kΩ 1/16W J		R1110	NRSA63J-181X	MG RESISTOR	180Ω 1/16W J	
R630	NRSA63J-101X	MG RESISTOR	100Ω 1/16W J		R1111	NRSA63J-104X	MG RESISTOR	100kΩ 1/16W J	
R631	NRSA63J-101X	MG RESISTOR	100Ω 1/16W J		R1113	NRSA63J-472X	MG RESISTOR	4.7kΩ 1/16W J	
R632	NRSA63J-101X	MG RESISTOR	100Ω 1/16W J		R1201	NRSA63J-102X	MG RESISTOR	1kΩ 1/16W J	
R633	NRSA63J-101X	MG RESISTOR	100Ω 1/16W J		R1211	NRSA63J-103X	MG RESISTOR	10kΩ 1/16W J	
R634	NRSA63J-102X	MG RESISTOR	1kΩ 1/16W J		R1212	NRSA63J-103X	MG RESISTOR	10kΩ 1/16W J	
R635	NRSA63J-102X	MG RESISTOR	1kΩ 1/16W J		R1213	NRSA63J-103X	MG RESISTOR	10kΩ 1/16W J	
R638	NRSA63J-101X	MG RESISTOR	100Ω 1/16W J		R1215	NRSA63J-103X	MG RESISTOR	10kΩ 1/16W J	
R639	NRSA63J-101X	MG RESISTOR	100Ω 1/16W J		R1216	NRSA63J-103X	MG RESISTOR	10kΩ 1/16W J	
R640	NRSA63J-101X	MG RESISTOR	100Ω 1/16W J		R1217	NRSA63J-102X	MG RESISTOR	1kΩ 1/16W J	
R641	NRSA63J-101X	MG RESISTOR	100Ω 1/16W J		R1218	NRSA63J-102X	MG RESISTOR	1kΩ 1/16W J	
R642	NRSA63J-101X	MG RESISTOR	100Ω 1/16W J		R1219	NRSA63J-154X	MG RESISTOR	150kΩ 1/16W J	
R643	NRSA63J-101X	MG RESISTOR	100Ω 1/16W J		R1220	NRSA63J-154X	MG RESISTOR	150kΩ 1/16W J	
R644	NRSA63J-101X	MG RESISTOR	100Ω 1/16W J		R1221	NRSA63J-473X	MG RESISTOR	47kΩ 1/16W J	
R645	NRSA63J-101X	MG RESISTOR	100Ω 1/16W J		R1222	NRSA63J-473X	MG RESISTOR	47kΩ 1/16W J	
R646	NRSA63J-101X	MG RESISTOR	100Ω 1/16W J		R1223	NRSA63J-473X	MG RESISTOR	47kΩ 1/16W J	
R647	NRSA63J-101X	MG RESISTOR	100Ω 1/16W J		R1224	NRSA63J-473X	MG RESISTOR	47kΩ 1/16W J	
R648	NRSA63J-101X	MG RESISTOR	100Ω 1/16W J		R1225	NRSA63J-334X	MG RESISTOR	330kΩ 1/16W J	
R649	NRSA63J-101X	MG RESISTOR	100Ω 1/16W J		R1251	NRSA63J-821X	MG RESISTOR	820Ω 1/16W J	
R650	NRSA63J-0R0X	MG RESISTOR	0Ω 1/16W J		R1252	NRSA63J-821X	MG RESISTOR	820Ω 1/16W J	
R651	NRSA63J-0R0X	MG RESISTOR	0Ω 1/16W J		R1253	NRSA63J-181X	MG RESISTOR	180Ω 1/16W J	
R652	NRSA63J-473X	MG RESISTOR	47kΩ 1/16W J		R1254	NRSA63J-181X	MG RESISTOR	180Ω 1/16W J	
R653	NRSA63J-101X	MG RESISTOR	100Ω 1/16W J		R1255	NRSA63J-103X	MG RESISTOR	10kΩ 1/16W J	
R654	NRSA63J-101X	MG RESISTOR	100Ω 1/16W J		R1256	NRSA63J-103X	MG RESISTOR	10kΩ 1/16W J	
R655	NRSA63J-101X	MG RESISTOR	100Ω 1/16W J		R1501	NRSA63J-104X	MG RESISTOR	100kΩ 1/16W J	
R656	NRSA63J-101X	MG RESISTOR	100Ω 1/16W J		R1502	NRSA63J-0R0X	MG RESISTOR	0Ω 1/16W J	
R657	NRSA63J-101X	MG RESISTOR	100Ω 1/16W J		R1503	NRSA63J-103X	MG RESISTOR	10kΩ 1/16W J	
R658	NRSA63J-101X	MG RESISTOR	100Ω 1/16W J		R1504	NRSA63J-392X	MG RESISTOR	3.9kΩ 1/16W J	
R659	NRSA63J-101X	MG RESISTOR	100Ω 1/16W J		R2001	NRSA63J-203X	MG RESISTOR	20kΩ 1/16W J	
R660	NRSA63J-101X	MG RESISTOR	100Ω 1/16W J		R2002	NRSA63J-123X	MG RESISTOR	12kΩ 1/16W J	

△ Symbol No.	Part No.	Part Name	Description	Local	△ Symbol No.	Part No.	Part Name	Description	Local
R2003	NRSA63J-303X	MG RESISTOR	30kΩ 1/16W J		R7049	NRSA63J-101X	MG RESISTOR	100Ω 1/16W J	
R2005	NRSA63J-103X	MG RESISTOR	10kΩ 1/16W J		R7050	NRSA63J-101X	MG RESISTOR	100Ω 1/16W J	
R2006	NRSA63J-103X	MG RESISTOR	10kΩ 1/16W J		R7051	NRSA63J-102X	MG RESISTOR	1kΩ 1/16W J	
R2201	NRSA63J-102X	MG RESISTOR	1kΩ 1/16W J		R7052	NRSA63J-102X	MG RESISTOR	1kΩ 1/16W J	
R2211	NRSA63J-103X	MG RESISTOR	10kΩ 1/16W J		R7053	NRSA63J-822X	MG RESISTOR	8.2kΩ 1/16W J	
R2212	NRSA63J-103X	MG RESISTOR	10kΩ 1/16W J		R7054	NRSA63J-822X	MG RESISTOR	8.2kΩ 1/16W J	
R2213	NRSA63J-103X	MG RESISTOR	10kΩ 1/16W J		R7055	NRSA63J-101X	MG RESISTOR	100Ω 1/16W J	
R2215	NRSA63J-103X	MG RESISTOR	10kΩ 1/16W J		R7056	NRSA63J-222X	MG RESISTOR	2.2kΩ 1/16W J	
R2216	NRSA63J-103X	MG RESISTOR	10kΩ 1/16W J		R7057	NRSA63J-222X	MG RESISTOR	2.2kΩ 1/16W J	
R2217	NRSA63J-102X	MG RESISTOR	1kΩ 1/16W J		R7058	NRSA63J-103X	MG RESISTOR	10kΩ 1/16W J	
R2218	NRSA63J-102X	MG RESISTOR	1kΩ 1/16W J		R7059	NRSA63J-222X	MG RESISTOR	2.2kΩ 1/16W J	
R2219	NRSA63J-154X	MG RESISTOR	150kΩ 1/16W J		R7060	NRSA63J-222X	MG RESISTOR	2.2kΩ 1/16W J	
R2220	NRSA63J-154X	MG RESISTOR	150kΩ 1/16W J		R7061	NRSA63J-103X	MG RESISTOR	10kΩ 1/16W J	
R2221	NRSA63J-473X	MG RESISTOR	47kΩ 1/16W J		R7063	NRSA63J-102X	MG RESISTOR	1kΩ 1/16W J	
R2222	NRSA63J-473X	MG RESISTOR	47kΩ 1/16W J		R7064	NRSA63J-221X	MG RESISTOR	220Ω 1/16W J	
R2223	NRSA63J-473X	MG RESISTOR	47kΩ 1/16W J		R7065	NRSA63J-221X	MG RESISTOR	220Ω 1/16W J	
R2224	NRSA63J-473X	MG RESISTOR	47kΩ 1/16W J		R7066	NRSA63J-102X	MG RESISTOR	1kΩ 1/16W J	
R2225	NRSA63J-334X	MG RESISTOR	330kΩ 1/16W J		R7067	NRSA63J-102X	MG RESISTOR	1kΩ 1/16W J	
R2251	NRSA63J-821X	MG RESISTOR	820Ω 1/16W J		R7068	NRSA63J-102X	MG RESISTOR	1kΩ 1/16W J	
R2252	NRSA63J-821X	MG RESISTOR	820Ω 1/16W J		R7069	NRSA63J-103X	MG RESISTOR	10kΩ 1/16W J	
R2253	NRSA63J-181X	MG RESISTOR	180Ω 1/16W J		R7070	NRSA63J-390X	MG RESISTOR	39Ω 1/16W J	
R2254	NRSA63J-181X	MG RESISTOR	180Ω 1/16W J		R7071	NRSA63J-472X	MG RESISTOR	4.7kΩ 1/16W J	
R2255	NRSA63J-103X	MG RESISTOR	10kΩ 1/16W J		R7072	NRSA63J-102X	MG RESISTOR	1kΩ 1/16W J	
R2256	NRSA63J-103X	MG RESISTOR	10kΩ 1/16W J		R7075	NRSA63J-102X	MG RESISTOR	1kΩ 1/16W J	
R2501	NRSA63J-104X	MG RESISTOR	100kΩ 1/16W J		R7077	NRSA63J-102X	MG RESISTOR	1kΩ 1/16W J	
R2502	NRSA63J-0R0X	MG RESISTOR	0Ω 1/16W J		R7078	NRSA63J-102X	MG RESISTOR	1kΩ 1/16W J	
R2503	NRSA63J-103X	MG RESISTOR	10kΩ 1/16W J		R7080	NRSA63J-102X	MG RESISTOR	1kΩ 1/16W J	
R2504	NRSA63J-392X	MG RESISTOR	3.9kΩ 1/16W J		R7081	NRSA63J-102X	MG RESISTOR	1kΩ 1/16W J	
R4101	NRSA63J-0R0X	MG RESISTOR	0Ω 1/16W J		R7082	NRSA63J-102X	MG RESISTOR	1kΩ 1/16W J	
R4102	NRSA63J-563X	MG RESISTOR	56kΩ 1/16W J		R7083	NRSA63J-102X	MG RESISTOR	1kΩ 1/16W J	
R4103	NRSA63J-154X	MG RESISTOR	150kΩ 1/16W J		R7085	NRSA63J-102X	MG RESISTOR	1kΩ 1/16W J	
R4202	NRSA63J-563X	MG RESISTOR	56kΩ 1/16W J		R7087	NRSA63J-102X	MG RESISTOR	1kΩ 1/16W J	
R7001	NRSA63J-102X	MG RESISTOR	1kΩ 1/16W J		R7089	NRSA63J-271X	MG RESISTOR	270Ω 1/16W J	
R7002	NRSA63J-102X	MG RESISTOR	1kΩ 1/16W J		R7090	NRSA63J-103X	MG RESISTOR	10kΩ 1/16W J	
R7003	NRSA63J-473X	MG RESISTOR	47kΩ 1/16W J		R7091	NRSA63J-271X	MG RESISTOR	270Ω 1/16W J	
R7004	NRSA63J-273X	MG RESISTOR	27kΩ 1/16W J		R7092	NRSA63J-473X	MG RESISTOR	47kΩ 1/16W J	
R7005	NRSA63J-102X	MG RESISTOR	1kΩ 1/16W J		R7094	NRSA63J-102X	MG RESISTOR	1kΩ 1/16W J	
R7006	NRSA63J-102X	MG RESISTOR	1kΩ 1/16W J		R7095	NRSA63J-682X	MG RESISTOR	6.8kΩ 1/16W J	
R7007	NRSA63J-103X	MG RESISTOR	10kΩ 1/16W J		R7096	NRSA63J-392X	MG RESISTOR	3.9kΩ 1/16W J	
R7008	NRSA63J-102X	MG RESISTOR	1kΩ 1/16W J		R7097	NRSA63J-822X	MG RESISTOR	8.2kΩ 1/16W J	
R7009	NRSA63J-821X	MG RESISTOR	820Ω 1/16W J		R7098	NRSA63J-472X	MG RESISTOR	4.7kΩ 1/16W J	
R7010	NRSA63J-106X	MG RESISTOR	10MΩ 1/16W J		R7099	NRSA63J-393X	MG RESISTOR	39kΩ 1/16W J	
R7011	NRSA63J-106X	MG RESISTOR	10MΩ 1/16W J		R7101	NRSA63J-101X	MG RESISTOR	100Ω 1/16W J	
R7012	NRSA63J-473X	MG RESISTOR	47kΩ 1/16W J		R7102	NRSA63J-102X	MG RESISTOR	1kΩ 1/16W J	
R7013	NRSA63J-102X	MG RESISTOR	1kΩ 1/16W J		R7103	NRSA63J-102X	MG RESISTOR	1kΩ 1/16W J	
R7014	NRSA63J-102X	MG RESISTOR	1kΩ 1/16W J		R7104	NRSA63J-102X	MG RESISTOR	1kΩ 1/16W J	
R7015	NRSA63J-102X	MG RESISTOR	1kΩ 1/16W J		R7105	NRSA63J-473X	MG RESISTOR	47kΩ 1/16W J	
R7016	NRSA63J-102X	MG RESISTOR	1kΩ 1/16W J		R7106	NRSA63J-102X	MG RESISTOR	1kΩ 1/16W J	
R7017	NRSA63J-101X	MG RESISTOR	100Ω 1/16W J		R7107	NRSA63J-102X	MG RESISTOR	1kΩ 1/16W J	
R7018	NRSA63J-101X	MG RESISTOR	100Ω 1/16W J		R7108	NRSA63J-102X	MG RESISTOR	1kΩ 1/16W J	
R7019	NRSA63J-101X	MG RESISTOR	100Ω 1/16W J		R7109	NRSA63J-102X	MG RESISTOR	1kΩ 1/16W J	
R7020	NRSA63J-102X	MG RESISTOR	1kΩ 1/16W J		R7110	NRSA63J-102X	MG RESISTOR	1kΩ 1/16W J	
R7021	NRSA63J-104X	MG RESISTOR	100kΩ 1/16W J		R7112	NRSA63J-473X	MG RESISTOR	47kΩ 1/16W J	
R7022	NRSA63J-102X	MG RESISTOR	1kΩ 1/16W J		R7113	NRSA63J-102X	MG RESISTOR	1kΩ 1/16W J	
R7023	NRSA63J-102X	MG RESISTOR	1kΩ 1/16W J		R7114	NRSA63J-473X	MG RESISTOR	47kΩ 1/16W J	
R7024	NRSA63J-102X	MG RESISTOR	1kΩ 1/16W J		R7201	NRSA63J-473X	MG RESISTOR	47kΩ 1/16W J	
R7025	NRSA63J-102X	MG RESISTOR	1kΩ 1/16W J		R7202	NRSA63J-222X	MG RESISTOR	2.2kΩ 1/16W J	
R7026	NRSA63J-102X	MG RESISTOR	1kΩ 1/16W J		R7501	NRSA63J-222X	MG RESISTOR	2.2kΩ 1/16W J	
R7027	NRSA63J-102X	MG RESISTOR	1kΩ 1/16W J		R7502	NRSA63J-473X	MG RESISTOR	47kΩ 1/16W J	
R7028	NRSA63J-224X	MG RESISTOR	220kΩ 1/16W J		R7503	NRSA63J-102X	MG RESISTOR	1kΩ 1/16W J	
R7029	NRSA63J-224X	MG RESISTOR	220kΩ 1/16W J		R7504	NRSA63J-471X	MG RESISTOR	470Ω 1/16W J	
R7030	NRSA63J-224X	MG RESISTOR	220kΩ 1/16W J		R7505	NRSA63J-471X	MG RESISTOR	470Ω 1/16W J	
R7031	NRSA63J-102X	MG RESISTOR	1kΩ 1/16W J		R7521	NRSA63J-102X	MG RESISTOR	1kΩ 1/16W J	
R7032	NRSA63J-102X	MG RESISTOR	1kΩ 1/16W J		R7801	NRSA63J-104X	MG RESISTOR	100kΩ 1/16W J	
R7033	NRSA63J-102X	MG RESISTOR	1kΩ 1/16W J		R7802	NRSA63J-102X	MG RESISTOR	1kΩ 1/16W J	
R7034	NRSA63J-102X	MG RESISTOR	1kΩ 1/16W J		R7803	NRSA63J-104X	MG RESISTOR	100kΩ 1/16W J	
R7035	NRSA63J-102X	MG RESISTOR	1kΩ 1/16W J		R7804	NRSA63J-101X	MG RESISTOR	100Ω 1/16W J	
R7036	NRSA63J-101X	MG RESISTOR	100Ω 1/16W J		R7805	NRSA63J-392X	MG RESISTOR	3.9kΩ 1/16W J	
R7037	NRSA63J-102X	MG RESISTOR	1kΩ 1/16W J		R7806	NRSA63J-682X	MG RESISTOR	6.8kΩ 1/16W J	
R7038	NRSA63J-221X	MG RESISTOR	220Ω 1/16W J		R7807	NRSA63J-0R0X	MG RESISTOR	0Ω 1/16W J	
R7039	NRSA63J-221X	MG RESISTOR	220Ω 1/16W J		R7808	NRSA63J-104X	MG RESISTOR	100kΩ 1/16W J	
R7040	NRSA63J-102X	MG RESISTOR	1kΩ 1/16W J		R7809	NRSA63J-102X	MG RESISTOR	1kΩ 1/16W J	
R7041	NRSA63J-102X	MG RESISTOR	1kΩ 1/16W J		R7810	NRSA63J-101X	MG RESISTOR	100Ω 1/16W J	
R7043	NRSA63J-222X	MG RESISTOR	2.2kΩ 1/16W J		R7811	NRSA63J-104X	MG RESISTOR	100kΩ 1/16W J	
R7044	NRSA63J-222X	MG RESISTOR	2.2kΩ 1/16W J		R7812	NRSA63J-104X	MG RESISTOR	100kΩ 1/16W J	
R7045	NRSA63J-222X	MG RESISTOR	2.2kΩ 1/16W J		R7813	NRSA63J-102X	MG RESISTOR	1kΩ 1/16W J	
R7046	NRSA63J-102X	MG RESISTOR	1kΩ 1/16W J		R7814	NRSA63J-392X	MG RESISTOR	3.9kΩ 1/16W J	
R7048	NRSA63J-102X	MG RESISTOR	1kΩ 1/16W J		R7815	NRSA63J-682X	MG RESISTOR	6.8kΩ 1/16W J	

△ Symbol No.	Part No.	Part Name	Description	Local	△ Symbol No.	Part No.	Part Name	Description	Local
R7905	NRSA63J-332X	MG RESISTOR	3.3kΩ 1/16W J		Q8602	UN2211-X	TRANSISTOR		
R7906	NRSA63J-0R0X	MG RESISTOR	0Ω 1/16W J		D8001	MA8056/M/-X	Z DIODE		
R9801	NRSA63D-244X	MG RESISTOR	240kΩ 1/16W D		D8002	MA8056/M/-X	Z DIODE		
R9802	NRSA63J-154X	MG RESISTOR	150kΩ 1/16W J		D8003	MA8056/M/-X	Z DIODE		
R9803	NRSA63D-473X	MG RESISTOR	47kΩ 1/16W D		D8004	MA8056/M/-X	Z DIODE		
R9804	NRSA63D-103X	MG RESISTOR	10kΩ 1/16W D		D8005	MA8056/M/-X	Z DIODE		
R9805	NRSA63D-244X	MG RESISTOR	240kΩ 1/16W D		D8006	MA8056/M/-X	Z DIODE		
R9806	NRSA63J-154X	MG RESISTOR	150kΩ 1/16W J		D8007	MA8056/M/-X	Z DIODE		
R9807	NRSA63D-303X	MG RESISTOR	30kΩ 1/16W D		D8008	MA8056/M/-X	Z DIODE		
R9808	NRSA63D-103X	MG RESISTOR	10kΩ 1/16W D		D8009	MA8056/M/-X	Z DIODE		
R9809	NRSA63J-102X	MG RESISTOR	1kΩ 1/16W J		D8010	MA8056/M/-X	Z DIODE		
R9810	NRSA63D-304X	MG RESISTOR	300kΩ 1/16W D		D8011	MA8056/M/-X	Z DIODE		
R9811	NRSA63D-104X	MG RESISTOR	100kΩ 1/16W D		D8111	MA152WA-X	DIODE		
L1	NQL114K-100X	COIL	10uH K		D8112	MA111-X	SI DIODE		
L5	NQR0557-001X	COIL			D8301	MA111-X	SI DIODE		
L6	NQL093K-1R8X	COIL	1.8uH K		D8302	MA111-X	SI DIODE		
L7	NQL093K-1R8X	COIL	1.8uH K		D8303	MA111-X	SI DIODE		
L8	NQL093K-3R3X	COIL	3.3uH K		D8601	SML-310LT/MN/-X	LED		
L102	NQR0129-003X	FERRITE BEADS			D8602	SML-310LT/MN/-X	LED		
L107	NQR0129-003X	FERRITE BEADS			D8603	SML-310LT/MN/-X	LED		
L108	NQL093K-2R2X	COIL	2.2uH K		D8604	SML-310LT/MN/-X	LED		
L109	NQR0129-003X	FERRITE BEADS			D8605	SML-310LT/MN/-X	LED		
L110	NQR0129-003X	FERRITE BEADS			D8606	SML-310LT/MN/-X	LED		
L120	NQL114K-470X	COIL	47uH K		D8607	SML-310LT/MN/-X	LED		
L130	NQL114K-470X	COIL	47uH K		D8608	SML-310LT/MN/-X	LED		
L451	NQL114K-470X	COIL	47uH K		D8609	SML-310LT/MN/-X	LED		
L461	NQR0007-002X	FERRITE BEADS			D8610	SML-310LT/MN/-X	LED		
L601	NQL114K-470X	COIL	47uH K		D8611	S30AW0A03/5B3-X	LED		
L902	NQL114K-101X	COIL	100uH K		D8612	S30AW0A03/5B3-X	LED		
L7001	NQL114K-470X	COIL	47uH K		D8613	S30AW0A03/5B3-X	LED		
L7501	NQL114K-470X	COIL	47uH K		D8618	SML-310LT/MN/-X	LED		
L9801	NQLA4EM-330X	COIL	33uH M		D8619	NSCW017/B5ST/-X	LED		
L9802	NQLA4EM-330X	COIL	33uH M		D8620	NSCW017/B5ST/-X	LED		
BZ795	NAN0004-001X	BUZZER			D8621	NSCW017/B5ST/-X	LED		
CN121	QGA2501C1-06	CONNECTOR	W-B (1-6)		D8622	NSCW017/B5ST/-X	LED		
CN381	QGA2001C1-02	CONNECTOR	W-B (1-2)		D8632	SML-310LT/MN/-X	LED		
CN391	QGA2501C1-02	CONNECTOR	W-B (1-2)		C8001	NBE20JM-476X	TA E CAPACITOR	47uF 6.3V M	
CN601	QGB0812L2-90X	CONNECTOR	B-B (1-90)		C8002	NCB31EK-473X	C CAPACITOR	0.047uF 25V K	
CN703	QGF0503C1-09V	CONNECTOR	FFC/FPC (1-9)		C8008	NDC31HJ-471X	C CAPACITOR	470pF 50V J	
CN705	QGA2001C1-04	CONNECTOR	W-B (1-4)		C8009	NCB31EK-473X	C CAPACITOR	0.047uF 25V K	
CN751	QGF1041C1-16W	CONNECTOR	FFC/FPC (1-16)		C8010	NCB31EK-473X	C CAPACITOR	0.047uF 25V K	
CN752	QGA2501C1-08	CONNECTOR	W-B (1-8)		C8102	NBE20JM-106X	TA E CAPACITOR	10uF 6.3V M	
CN901	QNZ0607-001	CAR CONNECTOR			C8103	NCB31HK-103X	C CAPACITOR	0.01uF 50V K	
CN902	QNZ0095-001	CONNECTOR			C8104	NBE20JM-476X	TA E CAPACITOR	47uF 6.3V M	
J1	QAM0747-001	CAR CABLE			C8111	NBE20JM-475X	TA E CAPACITOR	4.7uF 6.3V M	
K451	NQR0201-004X	FERRITE BEADS			C8112	NCB31EK-473X	C CAPACITOR	0.047uF 25V K	
K461	NQR0007-002X	FERRITE BEADS			C8202	NBE20JM-476X	TA E CAPACITOR	47uF 6.3V M	
K462	NQR0007-002X	FERRITE BEADS			C8203	NDC31HJ-471X	C CAPACITOR	470pF 50V J	
PP1	QZW0010-001	STYLE PIN			C8204	NCB31EK-473X	C CAPACITOR	0.047uF 25V K	
TH701	NAD0028-103X	N THERMISTOR	10kΩ		C8205	NCB31EK-473X	C CAPACITOR	0.047uF 25V K	
△ TU1	QAU0324-002	TUNER PUCK			C8401	NBE21AM-106X	TA E CAPACITOR	10uF 10V M	
△ TU2	QAU0396-001	TUNER			C8501	NBE20JM-476X	TA E CAPACITOR	47uF 6.3V M	
X71	NAX0748-001X	CRYSTAL			C8502	NCB31EK-473X	C CAPACITOR	0.047uF 25V K	
X101	NAX0749-001X	CRYSTAL			C8503	NCB11EM-105X	C CAPACITOR	1uF 25V M	
X7001	NAX0729-001X	CRYSTAL			C8504	NCJ31CK-105X-A	C CAPACITOR		
X7002	QAX0401-001	CRYSTAL	32.768KHz		C8505	NCJ31CK-105X-A	C CAPACITOR		
					C8506	NCJ31CK-105X-A	C CAPACITOR		
					C8507	NCB11EM-105X	C CAPACITOR	1uF 25V M	
					C8508	NCJ31CK-105X-A	C CAPACITOR		
					C8509	NCB11EM-105X	C CAPACITOR	1uF 25V M	
					C8510	NCJ31CK-105X-A	C CAPACITOR		
					C8511	NCJ31CK-105X-A	C CAPACITOR		
					C8512	NCJ31CK-105X-A	C CAPACITOR		
					C8513	NCJ31CK-105X-A	C CAPACITOR		
					C8514	NCJ31CK-105X-A	C CAPACITOR		
					C8515	NCB31EK-473X	C CAPACITOR	0.047uF 25V K	
					C8516	NCB11EM-105X	C CAPACITOR	1uF 25V M	
					C8517	NCJ31CK-105X-A	C CAPACITOR		
					C8518	NCJ31CK-105X-A	C CAPACITOR		
					C8519	NCJ31CK-105X-A	C CAPACITOR		
					C8520	NCJ31CK-105X-A	C CAPACITOR		
					C8521	NCJ31CK-105X-A	C CAPACITOR		

Switch board

Block No. [0][2]

△ Symbol No.	Part No.	Part Name	Description	Local
△ IC801	MN102H60KDY	IC		
IC812	IC-PST3424U-X	IC		
IC821	SA16M90TFIR11A	IC(PROGRAMED)		
IC841	GP1UX511RK	RM.RECEIVER		
Q8101	2SD601A/R/-X	TRANSISTOR		
Q8301	2SB709A/QR/-X	TRANSISTOR		
Q8302	2SB709A/QR/-X	TRANSISTOR		
Q8303	2SB709A/QR/-X	TRANSISTOR		
Q8601	UN2211-X	TRANSISTOR		
R8001	NRSA63J-102X	MG RESISTOR	1kΩ 1/16W J	
R8002	NRSA63J-331X	MG RESISTOR	330Ω 1/16W J	
R8003	NRSA63J-331X	MG RESISTOR	330Ω 1/16W J	

△ Symbol No.	Part No.	Part Name	Description	Local	△ Symbol No.	Part No.	Part Name	Description	Local
R8006	NRSA63J-331X	MG RESISTOR	330Ω 1/16W J		R8201	NRSA63J-222X	MG RESISTOR	2.2kΩ 1/16W J	
R8009	NRSA63J-102X	MG RESISTOR	1kΩ 1/16W J		R8301	NRSA63J-301X	MG RESISTOR	300Ω 1/16W J	
R8010	NRSA63J-102X	MG RESISTOR	1kΩ 1/16W J		R8302	NRSA63J-271X	MG RESISTOR	270Ω 1/16W J	
R8012	NRSA63J-331X	MG RESISTOR	330Ω 1/16W J		R8303	NRSA63J-391X	MG RESISTOR	390Ω 1/16W J	
R8013	NRSA63J-331X	MG RESISTOR	330Ω 1/16W J		R8304	NRSA63J-561X	MG RESISTOR	560Ω 1/16W J	
R8014	NRSA63J-331X	MG RESISTOR	330Ω 1/16W J		R8305	NRSA63J-821X	MG RESISTOR	820Ω 1/16W J	
R8015	NRSA63J-331X	MG RESISTOR	330Ω 1/16W J		R8306	NRSA63J-152X	MG RESISTOR	1.5kΩ 1/16W J	
R8016	NRSA63J-331X	MG RESISTOR	330Ω 1/16W J		R8307	NRSA63J-301X	MG RESISTOR	300Ω 1/16W J	
R8017	NRSA63J-473X	MG RESISTOR	47kΩ 1/16W J		R8308	NRSA63J-271X	MG RESISTOR	270Ω 1/16W J	
R8018	NRSA63J-473X	MG RESISTOR	47kΩ 1/16W J		R8309	NRSA63J-391X	MG RESISTOR	390Ω 1/16W J	
R8019	NRSA63J-0R0X	MG RESISTOR	0Ω 1/16W J		R8310	NRSA63J-561X	MG RESISTOR	560Ω 1/16W J	
R8020	NRSA63J-473X	MG RESISTOR	47kΩ 1/16W J		R8313	NRSA63J-301X	MG RESISTOR	300Ω 1/16W J	
R8021	NRSA63J-331X	MG RESISTOR	330Ω 1/16W J		R8314	NRSA63J-271X	MG RESISTOR	270Ω 1/16W J	
R8022	NRSA63J-331X	MG RESISTOR	330Ω 1/16W J		R8315	NRSA63J-391X	MG RESISTOR	390Ω 1/16W J	
R8023	NRSA63J-331X	MG RESISTOR	330Ω 1/16W J		R8316	NRSA63J-561X	MG RESISTOR	560Ω 1/16W J	
R8024	NRSA63J-331X	MG RESISTOR	330Ω 1/16W J		R8319	NRSA63J-473X	MG RESISTOR	47kΩ 1/16W J	
R8025	NRSA63J-331X	MG RESISTOR	330Ω 1/16W J		R8320	NRSA63J-473X	MG RESISTOR	47kΩ 1/16W J	
R8026	NRSA63J-331X	MG RESISTOR	330Ω 1/16W J		R8321	NRSA63J-473X	MG RESISTOR	47kΩ 1/16W J	
R8027	NRSA63J-331X	MG RESISTOR	330Ω 1/16W J		R8322	NRSA63J-474X	MG RESISTOR	470kΩ 1/16W J	
R8028	NRSA63J-331X	MG RESISTOR	330Ω 1/16W J		R8401	NRSA63J-0R0X	MG RESISTOR	0Ω 1/16W J	
R8029	NRSA63J-331X	MG RESISTOR	330Ω 1/16W J		R8402	NRSA63J-473X	MG RESISTOR	47kΩ 1/16W J	
R8030	NRSA63J-331X	MG RESISTOR	330Ω 1/16W J		R8403	NRSA63J-470X	MG RESISTOR	47Ω 1/16W J	
R8031	NRSA63J-331X	MG RESISTOR	330Ω 1/16W J		R8404	NRSA63J-333X	MG RESISTOR	33kΩ 1/16W J	
R8032	NRSA63J-331X	MG RESISTOR	330Ω 1/16W J		R8601	NRSA63J-122X	MG RESISTOR	1.2kΩ 1/16W J	
R8033	NRSA63J-331X	MG RESISTOR	330Ω 1/16W J		R8602	NRSA63J-122X	MG RESISTOR	1.2kΩ 1/16W J	
R8034	NRSA63J-331X	MG RESISTOR	330Ω 1/16W J		R8603	NRSA63J-122X	MG RESISTOR	1.2kΩ 1/16W J	
R8035	NRSA63J-331X	MG RESISTOR	330Ω 1/16W J		R8604	NRSA63J-122X	MG RESISTOR	1.2kΩ 1/16W J	
R8036	NRSA63J-331X	MG RESISTOR	330Ω 1/16W J		R8605	NRSA63J-122X	MG RESISTOR	1.2kΩ 1/16W J	
R8037	NRSA63J-331X	MG RESISTOR	330Ω 1/16W J		R8606	NRSA63J-122X	MG RESISTOR	1.2kΩ 1/16W J	
R8039	NRSA63J-102X	MG RESISTOR	1kΩ 1/16W J		R8607	NRSA63J-122X	MG RESISTOR	1.2kΩ 1/16W J	
R8040	NRSA63J-822X	MG RESISTOR	8.2kΩ 1/16W J		R8608	NRSA63J-122X	MG RESISTOR	1.2kΩ 1/16W J	
R8041	NRSA63J-102X	MG RESISTOR	1kΩ 1/16W J		R8609	NRSA63J-122X	MG RESISTOR	1.2kΩ 1/16W J	
R8042	NRSA63J-331X	MG RESISTOR	330Ω 1/16W J		R8610	NRSA63J-122X	MG RESISTOR	1.2kΩ 1/16W J	
R8043	NRSA63J-331X	MG RESISTOR	330Ω 1/16W J		R8611	NRSA63J-102X	MG RESISTOR	1kΩ 1/16W J	
R8044	NRSA63J-331X	MG RESISTOR	330Ω 1/16W J		R8612	NRSA63J-102X	MG RESISTOR	1kΩ 1/16W J	
R8045	NRSA63J-331X	MG RESISTOR	330Ω 1/16W J		R8613	NRSA63J-102X	MG RESISTOR	1kΩ 1/16W J	
R8051	NRSA63J-103X	MG RESISTOR	10kΩ 1/16W J		R8614	NRSA63J-102X	MG RESISTOR	1kΩ 1/16W J	
R8052	NRSA63J-103X	MG RESISTOR	10kΩ 1/16W J		R8615	NRSA63J-102X	MG RESISTOR	1kΩ 1/16W J	
R8053	NRSA63J-103X	MG RESISTOR	10kΩ 1/16W J		R8616	NRSA63J-102X	MG RESISTOR	1kΩ 1/16W J	
R8054	NRSA63J-103X	MG RESISTOR	10kΩ 1/16W J		R8619	NRSA63J-561X	MG RESISTOR	560Ω 1/16W J	
R8055	NRSA63J-102X	MG RESISTOR	1kΩ 1/16W J		R8620	NRSA63J-561X	MG RESISTOR	560Ω 1/16W J	
R8056	NRSA63J-102X	MG RESISTOR	1kΩ 1/16W J		R8621	NRSA63J-561X	MG RESISTOR	560Ω 1/16W J	
R8058	NRSA63J-102X	MG RESISTOR	1kΩ 1/16W J		R8622	NRSA63J-561X	MG RESISTOR	560Ω 1/16W J	
R8059	NRSA63J-102X	MG RESISTOR	1kΩ 1/16W J		R8623	NRSA63J-561X	MG RESISTOR	560Ω 1/16W J	
R8062	NRSA63J-152X	MG RESISTOR	1.5kΩ 1/16W J		R8624	NRSA63J-561X	MG RESISTOR	560Ω 1/16W J	
R8063	NRSA63J-152X	MG RESISTOR	1.5kΩ 1/16W J		R8625	NRSA63J-561X	MG RESISTOR	560Ω 1/16W J	
R8064	NRSA63J-152X	MG RESISTOR	1.5kΩ 1/16W J		R8626	NRSA63J-561X	MG RESISTOR	560Ω 1/16W J	
R8065	NRSA63J-473X	MG RESISTOR	47kΩ 1/16W J		R8631	NRSA63J-122X	MG RESISTOR	1.2kΩ 1/16W J	
R8066	NRSA63J-473X	MG RESISTOR	47kΩ 1/16W J		R8632	NRSA63J-122X	MG RESISTOR	1.2kΩ 1/16W J	
R8067	NRSA63J-102X	MG RESISTOR	1kΩ 1/16W J		R8660	NRSA63J-103X	MG RESISTOR	10kΩ 1/16W J	
R8068	NRSA63J-102X	MG RESISTOR	1kΩ 1/16W J						
R8070	NRSA63J-102X	MG RESISTOR	1kΩ 1/16W J		L8001	NQL093K-1R8X	COIL	1.8uH K	
R8071	NRSA63J-223X	MG RESISTOR	22kΩ 1/16W J		L8101	NQL114K-470X	COIL	47uH K	
R8072	NRSA63J-473X	MG RESISTOR	47kΩ 1/16W J						
R8073	NRSA63J-222X	MG RESISTOR	2.2kΩ 1/16W J		CN801	NNZ0098-003X	CAR CONNECTOR		
R8074	NRSA63J-331X	MG RESISTOR	330Ω 1/16W J		CN851	QGF0523F1-35W	CONNECTOR	FFC/FPC (1-35)	
R8075	NRSA63J-331X	MG RESISTOR	330Ω 1/16W J		EN832	QSW1025-001	ROTARY ENCODER		
R8076	NRSA63J-331X	MG RESISTOR	330Ω 1/16W J		S8111	NSW0206-001X	TACT SWITCH		
R8077	NRSA63J-331X	MG RESISTOR	330Ω 1/16W J		S8301	NSW0246-001X	TACT SW		
R8078	NRSA63J-331X	MG RESISTOR	330Ω 1/16W J		S8302	NSW0246-001X	TACT SW		
R8079	NRSA63J-331X	MG RESISTOR	330Ω 1/16W J		S8303	NSW0246-001X	TACT SW		
R8080	NRSA63J-331X	MG RESISTOR	330Ω 1/16W J		S8304	NSW0206-001X	TACT SWITCH		
R8081	NRSA63J-331X	MG RESISTOR	330Ω 1/16W J		S8305	NSW0246-001X	TACT SW		
R8082	NRSA63J-102X	MG RESISTOR	1kΩ 1/16W J		S8306	NSW0206-001X	TACT SWITCH		
R8083	NRSA63J-102X	MG RESISTOR	1kΩ 1/16W J		S8307	NSW0246-001X	TACT SW		
R8084	NRSA63J-102X	MG RESISTOR	1kΩ 1/16W J		S8308	NSW0206-001X	TACT SWITCH		
R8085	NRSA63J-102X	MG RESISTOR	1kΩ 1/16W J		S8309	NSW0246-001X	TACT SW		
R8086	NRSA63J-102X	MG RESISTOR	1kΩ 1/16W J		S8310	NSW0206-001X	TACT SWITCH		
R8087	NRSA63J-102X	MG RESISTOR	1kΩ 1/16W J		S8311	NSW0246-001X	TACT SW		
R8088	NRSA63J-102X	MG RESISTOR	1kΩ 1/16W J		S8312	NSW0246-001X	TACT SW		
R8089	NRSA63J-102X	MG RESISTOR	1kΩ 1/16W J		S8313	NSW0246-001X	TACT SW		
R8090	NRSA63J-103X	MG RESISTOR	10kΩ 1/16W J		S8314	NSW0246-001X	TACT SW		
R8092	NRSA63J-103X	MG RESISTOR	10kΩ 1/16W J		S8315	NSW0246-001X	TACT SW		
R8101	NRSA63J-104X	MG RESISTOR	100kΩ 1/16W J		S8316	NSW0246-001X	TACT SW		
R8102	NRSA63J-474X	MG RESISTOR	470kΩ 1/16W J		TH801	NAD0028-103X	N THERMISTOR	10kΩ	
R8103	NRSA63J-474X	MG RESISTOR	470kΩ 1/16W J		X8001	NAX0652-001X	C RESONATOR	25.000MHz	
R8111	NRSA63J-102X	MG RESISTOR	1kΩ 1/16W J						
R8113	NRSA63J-473X	MG RESISTOR	47kΩ 1/16W J						

CPU board

Block No. [0][3]

Symbol No.	Part No.	Part Name	Description	Local
△ IC501	HD6417750RF200D	IC(MCU)		
IC511	EDS2516APTA-75	IC		
IC511	or K4S561632E-UC75	IC		
IC511	or HY57V561620CTPH	IC(DIGITAL)		
IC512	EDS2516APTA-75	IC		
IC512	or K4S561632E-UC75	IC		
IC512	or HY57V561620CTPH	IC(DIGITAL)		
IC521	SG64M90TFIR73A	IC(PROGRAMMED)		
IC522	SG64M90TFIR73B	IC(PROGRAMMED)		
IC531	JCV8013	IC		
IC541	TC94A34FG-002	IC		
IC542	HD74ALVC1G00VXS	IC		
IC551	MN5774	IC		
IC591	AK4384ET-X	IC		
Q5501	2SB624/4-X	TRANSISTOR		
Q5502	UN2213-X	DIGI TRANSISTOR		
D5501	RB160M-30-X	SB DIODE		
C5001	NCB31HK-102X	C CAPACITOR	1000pF 50V K	
C5002	NBE40JM-107X	TA E CAPACITOR	100uF 6.3V M	
C5003	NCB31CK-104X	C CAPACITOR	0.1uF 16V K	
C5004	NBZ0020-107X	E CAPACITOR	100uF	
C5005	NCB31CK-104X	C CAPACITOR	0.1uF 16V K	
C5006	NBE41CM-106X	TA E CAPACITOR	10uF 16V M	
C5007	NBE41CM-106X	TA E CAPACITOR	10uF 16V M	
C5008	NBE41CM-106X	TA E CAPACITOR	10uF 16V M	
C5009	NCB31CK-104X	C CAPACITOR	0.1uF 16V K	
C5010	NCB31CK-104X	C CAPACITOR	0.1uF 16V K	
C5011	NCB31CK-104X	C CAPACITOR	0.1uF 16V K	
C5012	NCB31CK-104X	C CAPACITOR	0.1uF 16V K	
C5013	NCB31CK-104X	C CAPACITOR	0.1uF 16V K	
C5014	NCB31CK-104X	C CAPACITOR	0.1uF 16V K	
C5015	NCB31CK-104X	C CAPACITOR	0.1uF 16V K	
C5016	NCB31CK-104X	C CAPACITOR	0.1uF 16V K	
C5017	NCB31CK-104X	C CAPACITOR	0.1uF 16V K	
C5018	NCB31CK-104X	C CAPACITOR	0.1uF 16V K	
C5019	NCB31CK-104X	C CAPACITOR	0.1uF 16V K	
C5020	NCB31CK-104X	C CAPACITOR	0.1uF 16V K	
C5021	NCB31CK-104X	C CAPACITOR	0.1uF 16V K	
C5022	NCB31CK-104X	C CAPACITOR	0.1uF 16V K	
C5023	NCB31CK-104X	C CAPACITOR	0.1uF 16V K	
C5024	NCB31CK-104X	C CAPACITOR	0.1uF 16V K	
C5025	NCB31CK-104X	C CAPACITOR	0.1uF 16V K	
C5026	NCB31CK-104X	C CAPACITOR	0.1uF 16V K	
C5027	NCB31CK-104X	C CAPACITOR	0.1uF 16V K	
C5028	NCB31CK-104X	C CAPACITOR	0.1uF 16V K	
C5029	NCB31CK-104X	C CAPACITOR	0.1uF 16V K	
C5030	NCB31CK-104X	C CAPACITOR	0.1uF 16V K	
C5031	NCB31CK-104X	C CAPACITOR	0.1uF 16V K	
C5032	NCB31CK-104X	C CAPACITOR	0.1uF 16V K	
C5033	NCB31CK-104X	C CAPACITOR	0.1uF 16V K	
C5101	NCB31CK-105X	C CAPACITOR	1uF 16V K	
C5102	NCB31CK-105X	C CAPACITOR	1uF 16V K	
C5103	NCB31CK-104X	C CAPACITOR	0.1uF 16V K	
C5104	NCB31CK-104X	C CAPACITOR	0.1uF 16V K	
C5105	NCB31CK-104X	C CAPACITOR	0.1uF 16V K	
C5106	NCB31CK-104X	C CAPACITOR	0.1uF 16V K	
C5107	NCB31CK-104X	C CAPACITOR	0.1uF 16V K	
C5108	NCB31CK-104X	C CAPACITOR	0.1uF 16V K	
C5109	NCB31CK-104X	C CAPACITOR	0.1uF 16V K	
C5110	NCB31CK-104X	C CAPACITOR	0.1uF 16V K	
C5111	NCB31CK-104X	C CAPACITOR	0.1uF 16V K	
C5112	NCB31CK-104X	C CAPACITOR	0.1uF 16V K	
C5113	NCB31CK-104X	C CAPACITOR	0.1uF 16V K	
C5114	NCB31CK-104X	C CAPACITOR	0.1uF 16V K	
C5115	NBZ0020-107X	E CAPACITOR	100uF	
C5201	NCB31CK-104X	C CAPACITOR	0.1uF 16V K	
C5202	NCB31CK-104X	C CAPACITOR	0.1uF 16V K	
C5203	NCB31CK-105X	C CAPACITOR	1uF 16V K	
C5204	NCB31CK-104X	C CAPACITOR	0.1uF 16V K	
C5205	NCB31CK-104X	C CAPACITOR	0.1uF 16V K	
C5206	NCB31CK-104X	C CAPACITOR	0.1uF 16V K	

Symbol No.	Part No.	Part Name	Description	Local
C5207	NCB31CK-105X	C CAPACITOR	1uF 16V K	
C5301	NBZ0020-107X	E CAPACITOR	100uF	
C5302	NCB31CK-104X	C CAPACITOR	0.1uF 16V K	
C5303	NDC31HJ-100X	C CAPACITOR	10pF 50V J	
C5304	NDC31HJ-100X	C CAPACITOR	10pF 50V J	
C5311	NCB31CK-104X	C CAPACITOR	0.1uF 16V K	
C5312	NCB31CK-104X	C CAPACITOR	0.1uF 16V K	
C5313	NCB31CK-104X	C CAPACITOR	0.1uF 16V K	
C5314	NCB31CK-104X	C CAPACITOR	0.1uF 16V K	
C5315	NCB31CK-104X	C CAPACITOR	0.1uF 16V K	
C5316	NCB31CK-104X	C CAPACITOR	0.1uF 16V K	
C5317	NCB31CK-104X	C CAPACITOR	0.1uF 16V K	
C5318	NCB31CK-104X	C CAPACITOR	0.1uF 16V K	
C5319	NCB31CK-104X	C CAPACITOR	0.1uF 16V K	
C5320	NCB31CK-104X	C CAPACITOR	0.1uF 16V K	
C5321	NCB31CK-104X	C CAPACITOR	0.1uF 16V K	
C5401	NCB31CK-105X	C CAPACITOR	1uF 16V K	
C5402	NCB31CK-105X	C CAPACITOR	1uF 16V K	
C5403	NCB31CK-105X	C CAPACITOR	1uF 16V K	
C5404	NCB31CK-105X	C CAPACITOR	1uF 16V K	
C5405	NCB31HK-222X	C CAPACITOR	2200pF 50V K	
C5406	NCB31CK-104X	C CAPACITOR	0.1uF 16V K	
C5407	NCB31CK-104X	C CAPACITOR	0.1uF 16V K	
C5408	NCB31CK-104X	C CAPACITOR	0.1uF 16V K	
C5501	NCB31HK-102X	C CAPACITOR	1000pF 50V K	
C5503	NBE41CM-106X	TA E CAPACITOR	10uF 16V M	
C5504	NCB31CK-104X	C CAPACITOR	0.1uF 16V K	
C5505	NBE41CM-106X	TA E CAPACITOR	10uF 16V M	
C5506	NCB31CK-104X	C CAPACITOR	0.1uF 16V K	
C5507	NCB31CK-104X	C CAPACITOR	0.1uF 16V K	
C5508	NCB31CK-104X	C CAPACITOR	0.1uF 16V K	
C5601	NBZ0022-227X	IC	220uF	
C5602	NCB31CK-104X	C CAPACITOR	0.1uF 16V K	
C5603	NBZ0022-227X	IC	220uF	
C5604	NBZ0022-227X	IC	220uF	
C5605	NBZ0020-107X	E CAPACITOR	100uF	
C5606	NBZ0020-107X	E CAPACITOR	100uF	
C5715	NCB31HK-103X	C CAPACITOR	0.01uF 50V K	
C5901	NBE41CM-106X	TA E CAPACITOR	10uF 16V M	
C5902	NCB31CK-104X	C CAPACITOR	0.1uF 16V K	
C5903	NBE41CM-106X	TA E CAPACITOR	10uF 16V M	
C5904	NCB31CK-105X	C CAPACITOR	1uF 16V K	
C5905	NDC31HJ-101X	C CAPACITOR	100pF 50V J	
R5002	NRSA63J-104X	MG RESISTOR	100kΩ 1/16W J	
R5003	NRSA63J-103X	MG RESISTOR	10kΩ 1/16W J	
R5004	NRSA63J-103X	MG RESISTOR	10kΩ 1/16W J	
R5005	NRSA63J-103X	MG RESISTOR	10kΩ 1/16W J	
R5006	NRSA63J-103X	MG RESISTOR	10kΩ 1/16W J	
R5007	NRSA63J-103X	MG RESISTOR	10kΩ 1/16W J	
R5008	NRSA63J-103X	MG RESISTOR	10kΩ 1/16W J	
R5009	NRSA63J-103X	MG RESISTOR	10kΩ 1/16W J	
R5010	NRSA63J-101X	MG RESISTOR	100Ω 1/16W J	
R5011	NRSA63J-332X	MG RESISTOR	3.3kΩ 1/16W J	
R5012	NRSA63J-101X	MG RESISTOR	100Ω 1/16W J	
R5013	NRSA63J-222X	MG RESISTOR	2.2kΩ 1/16W J	
R5014	NRSA63J-103X	MG RESISTOR	10kΩ 1/16W J	
R5015	NRSA63J-103X	MG RESISTOR	10kΩ 1/16W J	
R5016	NRSA63J-103X	MG RESISTOR	10kΩ 1/16W J	
R5017	NRSA63J-332X	MG RESISTOR	3.3kΩ 1/16W J	
R5018	NRSA63J-332X	MG RESISTOR	3.3kΩ 1/16W J	
R5020	NRSA63J-103X	MG RESISTOR	10kΩ 1/16W J	
R5021	NRSA63J-103X	MG RESISTOR	10kΩ 1/16W J	
R5022	NRSA63J-103X	MG RESISTOR	10kΩ 1/16W J	
R5023	NRSA63J-103X	MG RESISTOR	10kΩ 1/16W J	
R5024	NRSA63J-103X	MG RESISTOR	10kΩ 1/16W J	
R5025	NRSA63J-103X	MG RESISTOR	10kΩ 1/16W J	
R5026	NRSA63J-100X	MG RESISTOR	10Ω 1/16W J	
R5027	NRSA63J-100X	MG RESISTOR	10Ω 1/16W J	
R5028	NRSA63J-100X	MG RESISTOR	10Ω 1/16W J	
R5029	NRSA63J-103X	MG RESISTOR	10kΩ 1/16W J	
R5030	NRSA63J-102X	MG RESISTOR	1kΩ 1/16W J	
R5201	NRSA63J-0R0X	MG RESISTOR	0Ω 1/16W J	
R5202	NRSA63J-0R0X	MG RESISTOR	0Ω 1/16W J	
R5301	NRSA63J-103X	MG RESISTOR	10kΩ 1/16W J	
R5303	NRSA63J-471X	MG RESISTOR	470Ω 1/16W J	
R5304	NRSA63J-102X	MG RESISTOR	1kΩ 1/16W J	
R5305	NRSA63J-222X	MG RESISTOR	2.2kΩ 1/16W J	

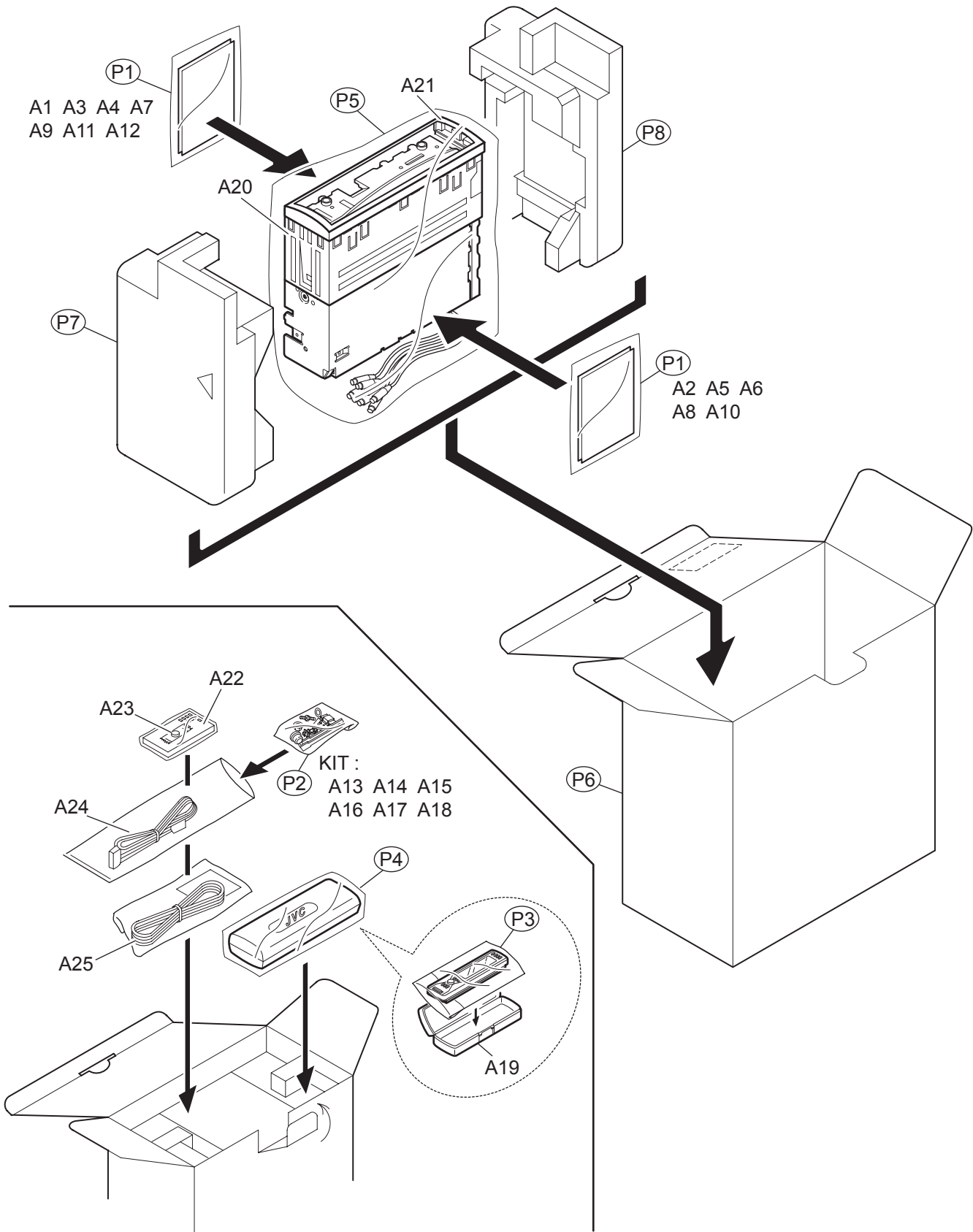
△ Symbol No.	Part No.	Part Name	Description	Local	△ Symbol No.	Part No.	Part Name	Description	Local
C222	NCB31HK-103X	C CAPACITOR	0.01uF 50V K						
C251	NCB31CK-104X	C CAPACITOR	0.1uF 16V K		R101	NRSA63J-0R0X	MG RESISTOR	0Ω 1/16W J	
C252	NEAF1CM-107X	E CAPACITOR	100uF 16V M		R102	NRSA63J-0R0X	MG RESISTOR	0Ω 1/16W J	
C253	NCB31CK-104X	C CAPACITOR	0.1uF 16V K		R103	NRSA63J-243X	MG RESISTOR	24kΩ 1/16W J	
C254	NBE21AM-106X	TA E CAPACITOR	10uF 10V M		R104	NRSA63J-303X	MG RESISTOR	30kΩ 1/16W J	
C255	NCB31CK-104X	C CAPACITOR	0.1uF 16V K		R105	NRS125J-270X	MG RESISTOR	27Ω 1/2W J	
C256	NCB31CK-473X	C CAPACITOR	0.047uF 16V K		R106	NRSA63J-2R2X	MG RESISTOR	2.2Ω 1/16W J	
C257	NCB31HK-102X	C CAPACITOR	1000pF 50V K		R107	NRSA63J-101X	MG RESISTOR	100Ω 1/16W J	
C258	NCB31HK-102X	C CAPACITOR	1000pF 50V K		R108	NRSA63J-471X	MG RESISTOR	470Ω 1/16W J	
C259	NCB31HK-102X	C CAPACITOR	1000pF 50V K		R109	NRSA63J-331X	MG RESISTOR	330Ω 1/16W J	
C264	NCB31HK-103X	C CAPACITOR	0.01uF 50V K		R110	NRSA63J-0R0X	MG RESISTOR	0Ω 1/16W J	
C265	NCB31CK-104X	C CAPACITOR	0.1uF 16V K		R111	NRSA63J-243X	MG RESISTOR	24kΩ 1/16W J	
C266	NCB31CK-104X	C CAPACITOR	0.1uF 16V K		R112	NRSA63J-303X	MG RESISTOR	30kΩ 1/16W J	
C267	NCB31HK-103X	C CAPACITOR	0.01uF 50V K		R113	NRS125J-270X	MG RESISTOR	27Ω 1/2W J	
C268	NCB31HK-153X	C CAPACITOR	0.015uF 50V K		R114	NRSA63J-2R2X	MG RESISTOR	2.2Ω 1/16W J	
C301	NEAF0GM-227X	E CAPACITOR	220uF 4V M		R115	NRSA63J-101X	MG RESISTOR	100Ω 1/16W J	
C302	NBE40JM-476X	TA E CAPACITOR	47uF 6.3V M		R116	NRSA63J-471X	MG RESISTOR	470Ω 1/16W J	
C305	NCB31CK-104X	C CAPACITOR	0.1uF 16V K		R117	NRSA63J-331X	MG RESISTOR	330Ω 1/16W J	
C307	NCB31CK-104X	C CAPACITOR	0.1uF 16V K		R118	NRSA63J-0R0X	MG RESISTOR	0Ω 1/16W J	
C308	NCB31CK-104X	C CAPACITOR	0.1uF 16V K		R119	NRSA63J-0R0X	MG RESISTOR	0Ω 1/16W J	
C309	NCB31CK-104X	C CAPACITOR	0.1uF 16V K		R120	NRSA63J-0R0X	MG RESISTOR	0Ω 1/16W J	
C310	NCB31HK-102X	C CAPACITOR	1000pF 50V K		R122	NRSA63J-0R0X	MG RESISTOR	0Ω 1/16W J	
C311	NCB31CK-104X	C CAPACITOR	0.1uF 16V K		R123	NRSA63J-0R0X	MG RESISTOR	0Ω 1/16W J	
C312	NCB21CK-105X	C CAPACITOR	1uF 16V K		R125	NRS125J-1R0X	MG RESISTOR	1Ω 1/2W J	
C313	NCB31CK-104X	C CAPACITOR	0.1uF 16V K		R126	NRSA02J-330X	MG RESISTOR	33Ω 1/10W J	
C314	NCB31CK-104X	C CAPACITOR	0.1uF 16V K		R201	NRS125J-1R0X	MG RESISTOR	1Ω 1/2W J	
C315	NCB31CK-104X	C CAPACITOR	0.1uF 16V K		R202	NRSA63J-473X	MG RESISTOR	47kΩ 1/16W J	
C316	NCB31CK-104X	C CAPACITOR	0.1uF 16V K		R203	NRSA63J-303X	MG RESISTOR	30kΩ 1/16W J	
C317	NCB31CK-104X	C CAPACITOR	0.1uF 16V K		R204	NRSA63J-273X	MG RESISTOR	27kΩ 1/16W J	
C318	NCB31CK-104X	C CAPACITOR	0.1uF 16V K		R205	NRSA63J-273X	MG RESISTOR	27kΩ 1/16W J	
C319	NCB31CK-104X	C CAPACITOR	0.1uF 16V K		R206	NRSA63J-0R0X	MG RESISTOR	0Ω 1/16W J	
C320	NCB31CK-104X	C CAPACITOR	0.1uF 16V K		R207	NRSA63J-0R0X	MG RESISTOR	0Ω 1/16W J	
C321	NCB31CK-104X	C CAPACITOR	0.1uF 16V K		R208	NRSA63J-203X	MG RESISTOR	20kΩ 1/16W J	
C322	NCB31CK-104X	C CAPACITOR	0.1uF 16V K		R209	NRSA63J-223X	MG RESISTOR	22kΩ 1/16W J	
C323	NCB31CK-104X	C CAPACITOR	0.1uF 16V K		R211	NRSA63J-0R0X	MG RESISTOR	0Ω 1/16W J	
C324	NCB21CK-105X	C CAPACITOR	1uF 16V K		R219	NRSA63J-153X	MG RESISTOR	15kΩ 1/16W J	
C325	NDC31HJ-100X	C CAPACITOR	10pF 50V J		R220	NRSA63J-183X	MG RESISTOR	18kΩ 1/16W J	
C326	NDC31HJ-100X	C CAPACITOR	10pF 50V J		R221	NRSA63J-103X	MG RESISTOR	10kΩ 1/16W J	
C330	NCB31CK-104X	C CAPACITOR	0.1uF 16V K		R222	NRSA63J-103X	MG RESISTOR	10kΩ 1/16W J	
C331	NCB31CK-333X	C CAPACITOR	0.033uF 16V K		R223	NRSA63J-0R0X	MG RESISTOR	0Ω 1/16W J	
C332	NCB31CK-104X	C CAPACITOR	0.1uF 16V K		R224	NRSA63J-103X	MG RESISTOR	10kΩ 1/16W J	
C333	NCB31CK-104X	C CAPACITOR	0.1uF 16V K		R231	NRSA63J-272X	MG RESISTOR	2.7kΩ 1/16W J	
C334	NCB31CK-104X	C CAPACITOR	0.1uF 16V K		R232	NRSA63J-153X	MG RESISTOR	15kΩ 1/16W J	
C335	NCB31CK-104X	C CAPACITOR	0.1uF 16V K		R233	NRSA63J-0R0X	MG RESISTOR	0Ω 1/16W J	
C337	NCB31HK-183X	C CAPACITOR	0.018uF 50V K		R234	NRSA63J-394X	MG RESISTOR	390kΩ 1/16W J	
C338	NCB31HK-562X	C CAPACITOR	5600pF 50V K		R235	NRSA63J-682X	MG RESISTOR	6.8kΩ 1/16W J	
C339	NCB31CK-104X	C CAPACITOR	0.1uF 16V K		R251	NRS125J-R47X	MG RESISTOR	0.47Ω 1/2W J	
C340	NCB21CK-105X	C CAPACITOR	1uF 16V K		R252	NRSA63J-103X	MG RESISTOR	10kΩ 1/16W J	
C341	NCB21CK-105X	C CAPACITOR	1uF 16V K		R253	NRSA63J-0R0X	MG RESISTOR	0Ω 1/16W J	
C347	NCB31CK-104X	C CAPACITOR	0.1uF 16V K		R254	NRSA63J-103X	MG RESISTOR	10kΩ 1/16W J	
C348	NCB31CK-104X	C CAPACITOR	0.1uF 16V K		R255	NRSA63J-203X	MG RESISTOR	20kΩ 1/16W J	
C349	NCB31CK-104X	C CAPACITOR	0.1uF 16V K		R256	NRSA63J-470X	MG RESISTOR	47Ω 1/16W J	
C350	NCB31CK-104X	C CAPACITOR	0.1uF 16V K		R257	NRSA63J-0R0X	MG RESISTOR	0Ω 1/16W J	
C351	NCB31CK-104X	C CAPACITOR	0.1uF 16V K		R258	NRSA63J-103X	MG RESISTOR	10kΩ 1/16W J	
C352	NCB31CK-104X	C CAPACITOR	0.1uF 16V K		R259	NRSA63J-103X	MG RESISTOR	10kΩ 1/16W J	
C356	NCB21CK-105X	C CAPACITOR	1uF 16V K		R260	NRSA63J-470X	MG RESISTOR	47Ω 1/16W J	
C364	NBE40JM-476X	TA E CAPACITOR	47uF 6.3V M		R300	NRSA63J-0R0X	MG RESISTOR	0Ω 1/16W J	
C365	NCB31CK-104X	C CAPACITOR	0.1uF 16V K		R301	NRSA63J-0R0X	MG RESISTOR	0Ω 1/16W J	
C366	NCB21CK-105X	C CAPACITOR	1uF 16V K		R303	NRSA63J-270X	MG RESISTOR	27Ω 1/16W J	
C369	NBE40JM-476X	TA E CAPACITOR	47uF 6.3V M		R306	NRSA63J-102X	MG RESISTOR	1kΩ 1/16W J	
C371	NCB21CK-105X	C CAPACITOR	1uF 16V K		R307	NRSA63J-102X	MG RESISTOR	1kΩ 1/16W J	
C384	NCB31CK-104X	C CAPACITOR	0.1uF 16V K		R308	NRSA63J-223X	MG RESISTOR	22kΩ 1/16W J	
C391	NCB31CK-104X	C CAPACITOR	0.1uF 16V K		R309	NRSA63J-103X	MG RESISTOR	10kΩ 1/16W J	
C392	NCB31CK-104X	C CAPACITOR	0.1uF 16V K		R312	NRSA63J-0R0X	MG RESISTOR	0Ω 1/16W J	
C393	NCB31CK-104X	C CAPACITOR	0.1uF 16V K		R313	NRSA63J-0R0X	MG RESISTOR	0Ω 1/16W J	
C395	NCB31CK-104X	C CAPACITOR	0.1uF 16V K		R314	NRSA63J-0R0X	MG RESISTOR	0Ω 1/16W J	
C396	NCB31CK-104X	C CAPACITOR	0.1uF 16V K		R315	NRSA63J-0R0X	MG RESISTOR	0Ω 1/16W J	
C397	NBE20JM-226X	TA E CAPACITOR	22uF 6.3V M		R316	NRSA63J-0R0X	MG RESISTOR	0Ω 1/16W J	
C398	NCB31CK-104X	C CAPACITOR	0.1uF 16V K		R317	NRSA63J-223X	MG RESISTOR	22kΩ 1/16W J	
C399	NCB31CK-104X	C CAPACITOR	0.1uF 16V K		R318	NRSA63J-333X	MG RESISTOR	33kΩ 1/16W J	
C404	NRSA63J-0R0X	MG RESISTOR	0Ω 1/16W J		R319	NRSA63J-223X	MG RESISTOR	22kΩ 1/16W J	
C405	NRSA63J-0R0X	MG RESISTOR	0Ω 1/16W J		R321	NRSA63J-0R0X	MG RESISTOR	0Ω 1/16W J	
C451	NCB31CK-104X	C CAPACITOR	0.1uF 16V K		R322	NRSA63J-0R0X	MG RESISTOR	0Ω 1/16W J	
C452	NCB31CK-104X	C CAPACITOR	0.1uF 16V K		R323	NRSA63J-0R0X	MG RESISTOR	0Ω 1/16W J	
C453	NCB31CK-104X	C CAPACITOR	0.1uF 16V K		R325	NRSA63J-161X	MG RESISTOR	160Ω 1/16W J	
C454	NCB31CK-104X	C CAPACITOR	0.1uF 16V K		R326	NRSA63J-101X	MG RESISTOR	100Ω 1/16W J	
C481	NCB31CK-104X	C CAPACITOR	0.1uF 16V K		R327	NRSA63J-101X	MG RESISTOR	100Ω 1/16W J	
C491	NCB31CK-104X	C CAPACITOR	0.1uF 16V K		R328	NRSA63J-101X	MG RESISTOR	100Ω 1/16W J	

△ Symbol No.	Part No.	Part Name	Description	Local	△ Symbol No.	Part No.	Part Name	Description	Local
R329	NRSA63J-101X	MG RESISTOR	100Ω 1/16W J		K426	NQR0022-005X	FERRITE BEADS		
R332	NRSA63J-102X	MG RESISTOR	1kΩ 1/16W J		K427	NQR0022-005X	FERRITE BEADS		
R333	NRSA63J-163X	MG RESISTOR	16kΩ 1/16W J		K428	NQR0022-005X	FERRITE BEADS		
R334	NRSA63J-151X	MG RESISTOR	150Ω 1/16W J		K429	NQR0022-005X	FERRITE BEADS		
R335	NRSA63J-151X	MG RESISTOR	150Ω 1/16W J		K430	NRSA63J-0R0X	MG RESISTOR	0Ω 1/16W J	
R336	NRSA63J-151X	MG RESISTOR	150Ω 1/16W J		K431	NRSA63J-0R0X	MG RESISTOR	0Ω 1/16W J	
R337	NRSA63J-151X	MG RESISTOR	150Ω 1/16W J		K432	NQR0022-005X	FERRITE BEADS		
R338	NRSA63J-0R0X	MG RESISTOR	0Ω 1/16W J		K433	NRSA63J-0R0X	MG RESISTOR	0Ω 1/16W J	
R339	NRSA63J-0R0X	MG RESISTOR	0Ω 1/16W J		K441	NQR0022-005X	FERRITE BEADS		
R340	NRSA63D-303X	MG RESISTOR	30kΩ 1/16W D		K451	NQR0022-005X	FERRITE BEADS		
R346	NRSA63J-473X	MG RESISTOR	47kΩ 1/16W J		K452	NQR0022-005X	FERRITE BEADS		
R347	NRSA63J-473X	MG RESISTOR	47kΩ 1/16W J		K601	NQR0022-005X	FERRITE BEADS		
R348	NRSA63J-473X	MG RESISTOR	47kΩ 1/16W J		SW4	NSW0184-001X	DETECT SW		
R349	NRSA63J-473X	MG RESISTOR	47kΩ 1/16W J		SW5	NSW0183-001X	DETECT SW		
R350	NRSA63J-750X	MG RESISTOR	75Ω 1/16W J		TH491	NAD0025-103X	N THERMISTOR	10kΩ	
R351	NRSA63J-102X	MG RESISTOR	1kΩ 1/16W J		X351	NAX0730-001X	CRYSTAL		
R352	NRSA63J-105X	MG RESISTOR	1MΩ 1/16W J						
R353	NRSA63J-101X	MG RESISTOR	100Ω 1/16W J						
R354	NRSA63J-101X	MG RESISTOR	100Ω 1/16W J						
R355	NRSA63J-0R0X	MG RESISTOR	0Ω 1/16W J						
R356	NRSA63J-0R0X	MG RESISTOR	0Ω 1/16W J						
R359	NRSA63J-750X	MG RESISTOR	75Ω 1/16W J						
R360	NRSA63J-750X	MG RESISTOR	75Ω 1/16W J						
R362	NRSA63J-0R0X	MG RESISTOR	0Ω 1/16W J						
R363	NRSA63J-151X	MG RESISTOR	150Ω 1/16W J						
R364	NRSA63J-151X	MG RESISTOR	150Ω 1/16W J						
R365	NRSA63D-911X	MG RESISTOR	910Ω 1/16W D						
R366	NRSA63D-202X	MG RESISTOR	2kΩ 1/16W D						
R370	NRSA63J-103X	MG RESISTOR	10kΩ 1/16W J						
R380	NRSA63J-101X	MG RESISTOR	100Ω 1/16W J						
R384	NRSA63J-102X	MG RESISTOR	1kΩ 1/16W J						
R385	NRSA63J-102X	MG RESISTOR	1kΩ 1/16W J						
R390	NRSA63J-103X	MG RESISTOR	10kΩ 1/16W J						
R391	NRSA63J-0R0X	MG RESISTOR	0Ω 1/16W J						
R392	NRSA63J-0R0X	MG RESISTOR	0Ω 1/16W J						
R393	NRSA63J-121X	MG RESISTOR	120Ω 1/16W J						
R394	NRSA63J-121X	MG RESISTOR	120Ω 1/16W J						
R396	NRSA63J-473X	MG RESISTOR	47kΩ 1/16W J						
R399	NRSA63J-0R0X	MG RESISTOR	0Ω 1/16W J						
R402	NRSA63J-0R0X	MG RESISTOR	0Ω 1/16W J						
R403	NRSA63J-0R0X	MG RESISTOR	0Ω 1/16W J						
R441	NRSA63J-0R0X	MG RESISTOR	0Ω 1/16W J						
R442	NRSA63J-0R0X	MG RESISTOR	0Ω 1/16W J						
R481	NRSA63J-103X	MG RESISTOR	10kΩ 1/16W J						
R491	NRSA63J-103X	MG RESISTOR	10kΩ 1/16W J						
R492	NRSA63J-472X	MG RESISTOR	4.7kΩ 1/16W J						
R605	NRSA63J-0R0X	MG RESISTOR	0Ω 1/16W J						
R606	NRSA63J-0R0X	MG RESISTOR	0Ω 1/16W J						
L303	NQL044K-100X	COIL	0.26Ω 10uH K						
L305	NQL093K-1R8X	COIL	1.8uH K						
L306	NQL093K-1R8X	COIL	1.8uH K						
L307	NQL093K-1R8X	COIL	1.8uH K						
L451	NQL044K-100X	COIL	0.26Ω 10uH K						
CN101	QGF0522F1-30W	CONNECTOR	FFC/FPC (1-30)						
CN201	QGF1038F1-11X	CONNECTOR	FFC/FPC (1-11)						
CN202	QGF0523F1-05W	CONNECTOR	FFC/FPC (1-5)						
CN401	QGF0534F1-60X	CONNECTOR	FFC/FPC (1-60)						
CN402	QGF0522F1-06W	CONNECTOR	FFC/FPC (1-6)						
K101	NQR0007-002X	FERRITE BEADS							
K102	NQR0007-002X	FERRITE BEADS							
K301	NQR0502-001X	FERRITE BEADS							
K311	NQR0129-002X	FERRITE BEADS							
K399	NQR0502-001X	FERRITE BEADS							
K401	NQR0022-005X	FERRITE BEADS							
K402	NQR0022-005X	FERRITE BEADS							
K403	NQR0022-005X	FERRITE BEADS							
K404	NQR0022-005X	FERRITE BEADS							
K405	NQR0022-005X	FERRITE BEADS							
K406	NQR0022-005X	FERRITE BEADS							
K407	NQR0022-005X	FERRITE BEADS							
K420	NQR0022-005X	FERRITE BEADS							
K421	NQR0022-005X	FERRITE BEADS							
K422	NQR0022-005X	FERRITE BEADS							
K423	NQR0022-005X	FERRITE BEADS							
K424	NQR0022-005X	FERRITE BEADS							
K425	NQL093K-1R8X	COIL	1.8uH K						

Packing materials and accessories parts list

Block No. **M 3 M M**

No additional / supplemental order of WARRANTY CARDS are available



Packing and Accessories

Block No. [M][3][M][M]

△ Symbol No.	Part No.	Part Name	Description	Local
A 1	LVT1294-001B	INST BOOK	ENG GER FRE DUT	
A 2	LVT1294-002B	INST BOOK	SPA ITA SWE DAN	
A 3	LVT1294-003A	INSTALL MANUAL		
A 4	LVT1294-004A	INSTALL MANUAL		
A 5	LVT1294-005A	INSTALL MANUAL		
A 6	LVT1294-006A	INSTALL MANUAL		
A 7	LV36145-002A	ANGLE GAUGE		
A 8	VND3046-001	SERIAL TICKET		
A 9	VND3050-002	IDENTITY CARD		
A 10	-----	WARRANTY CARD	BT-54026-1	
A 11	LV36263-001A	USER CARD		
A 12	VND3046-001	SERIAL TICKET		
A 13	VKZ4027-202	PLUG NUT		
A 14	VKH4871-003SS	MOUNT BOLT		
A 15	VKZ4328-003	LOCK NUT		
A 16	QYWSS50A010ZA	WASHER	0.1mm/5mm x	
A 17	GE40130-002A	HOOK	(x2)	
A 18	LV41478-002A	CORD CONNECTOR		
A 19	FSJB3002-00F	HARD CASE ASSY		
A 20	GE20137-003A	MOUNTING SLEEVE		
A 21	LV21648-203A	TRIM PLATE		
A 22	RM-RK230	REMOCON		
A 23	-----	BATTERY		
A 24	QAM0696-001	CAR CABLE		
A 25	QAL0695-002	GPS ANTENNA		
KIT	SRW-NX901E	SCREW PART KIT	A13 A14 A15 A16 A17 A18	
P 1	QPA01803205P	POLY BAG	18cm x 32cm(x2)	
P 2	QPA00801205	POLY BAG	8cm x 12cm	
P 3	QPC01002515	POLY BAG	10cm x 25cm	
P 4	QPA01003003	POLY BAG	10cm x 30cm	
P 5	QPC03004315P	POLY BAG	30cm x 43cm	
P 6	LV35549-001A	CARTON		
P 7	LV10996-001A	CUSHION(L)		
P 8	LV10997-001A	CUSHION(R)		