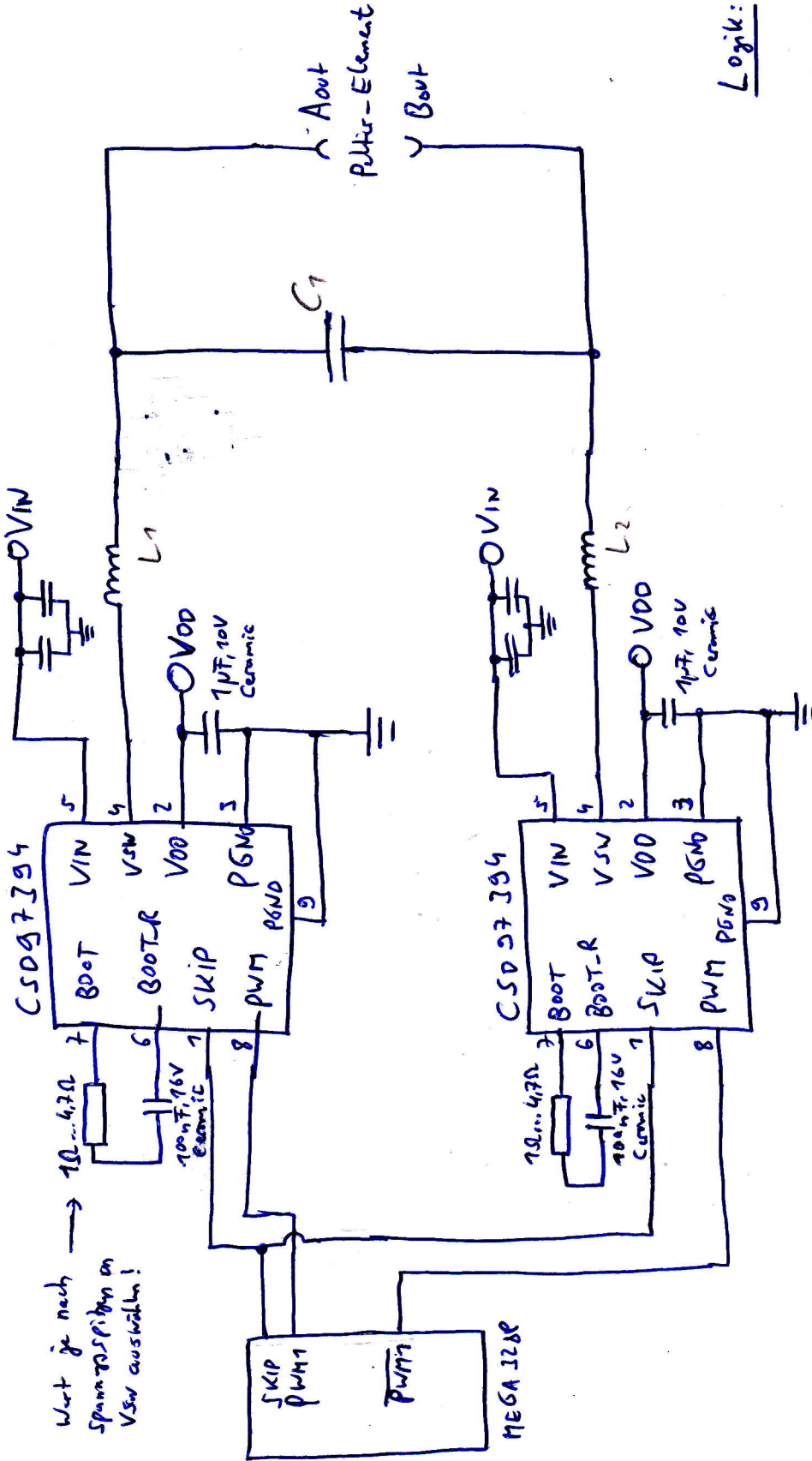


$$f_{pwm1} = f_{pwm2} = 1 \text{ MHz}$$

$$V_{in} = 8,2 \text{ V DC}$$

$$V_{DD} = 5 \text{ V DC}$$



PWM1	Aout	Bout
HIGH	HIGH	LOW
LOW	LOW	HIGH