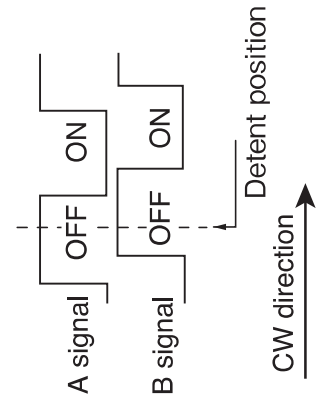


Insertion direction of shaft

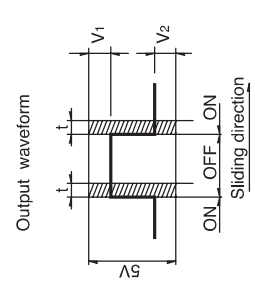
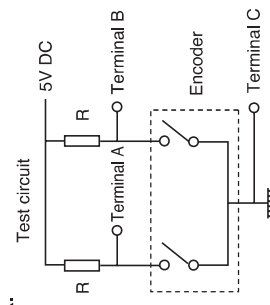
Output Wave



*Signal A and signal B output at detent positions cannot be specified.

Sliding Noise

$V_1 = V_2 = 2.5V$ max.



Measurement condition : Rotation speed 360°/s t : Masking time to avoid chattering

At R = 10k Ω
Chattering : 6ms max. Bounce : 6ms max.