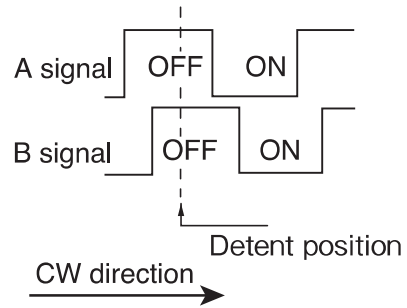


Insertion
direction of shaft/

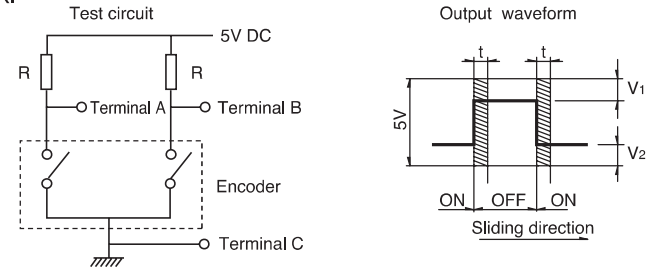
Output Wave



*Signal A and signal B output at detent positions cannot be specified.

Sliding Noise

$V_1 = V_2 = 2.5V$ max.



Measurement condition : Rotation speed $360^\circ/s$ t : Masking time to avoid chattering

At $R = 10k \Omega$
Chattering : 6ms max. Bounce : 6ms max.