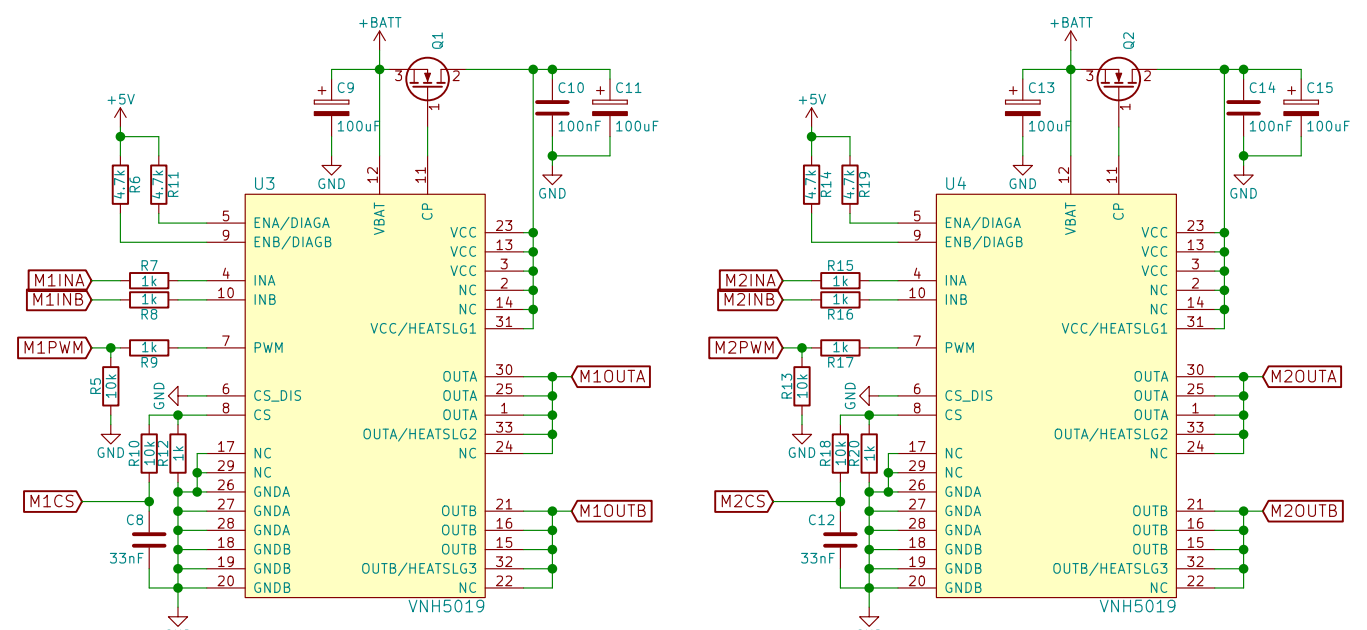
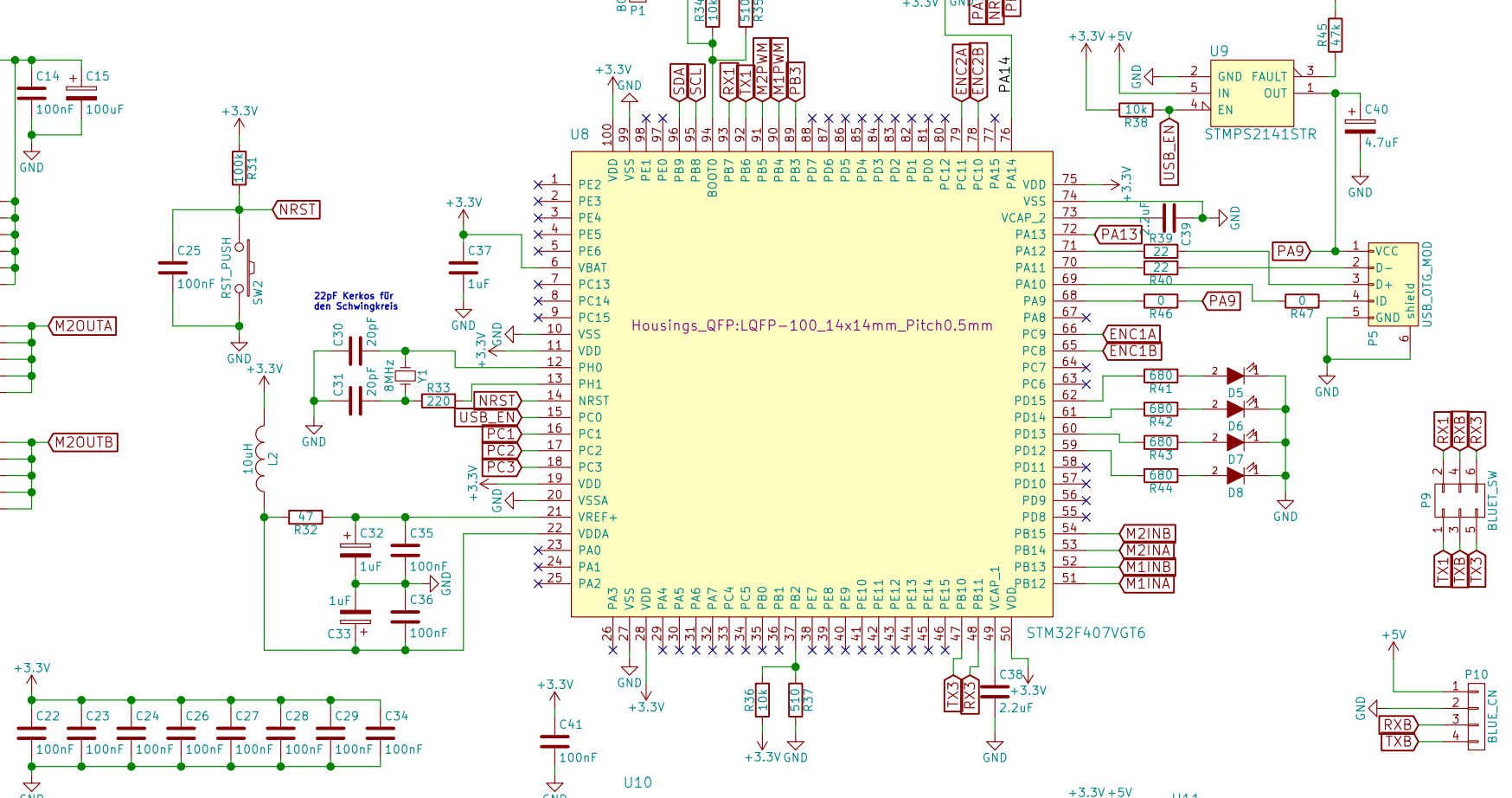
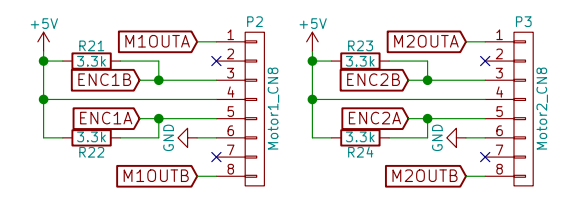


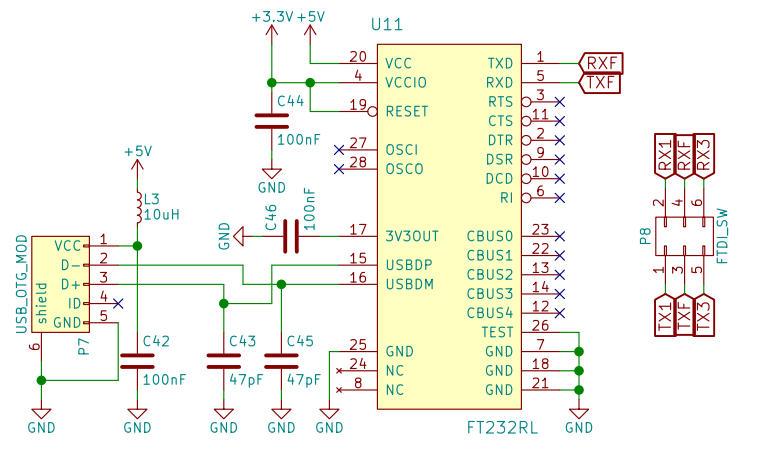
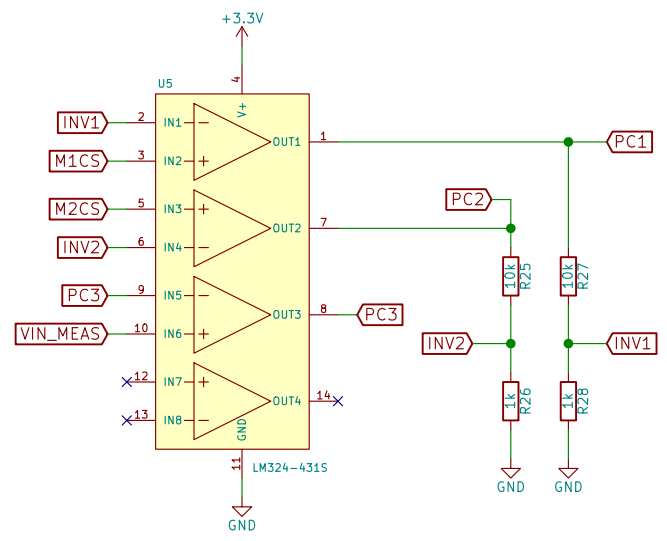
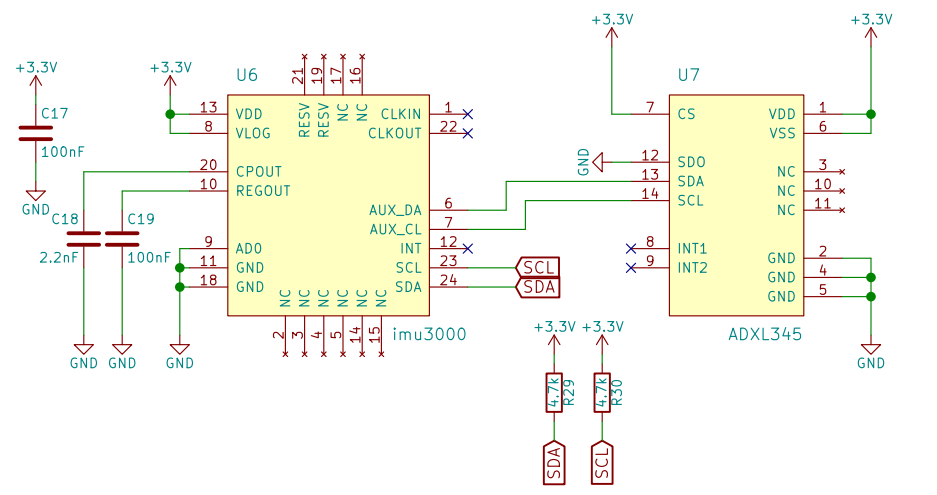
Power Supply



Motor Drivers



IMU-Gyroscope Accelerometer



Bootloader

Project: STM32F407VGT6 100 pin		
Sheet: /		
File: project.sch		
Title: Schematic		
Size: A3	Date: 01.02.2016	Rev: v1
KiCad E.D.A. kicad 4.0.2-stable		Id: 1/1