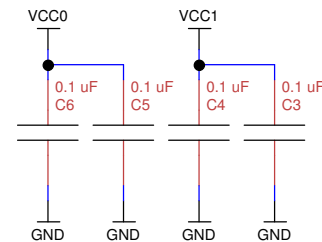
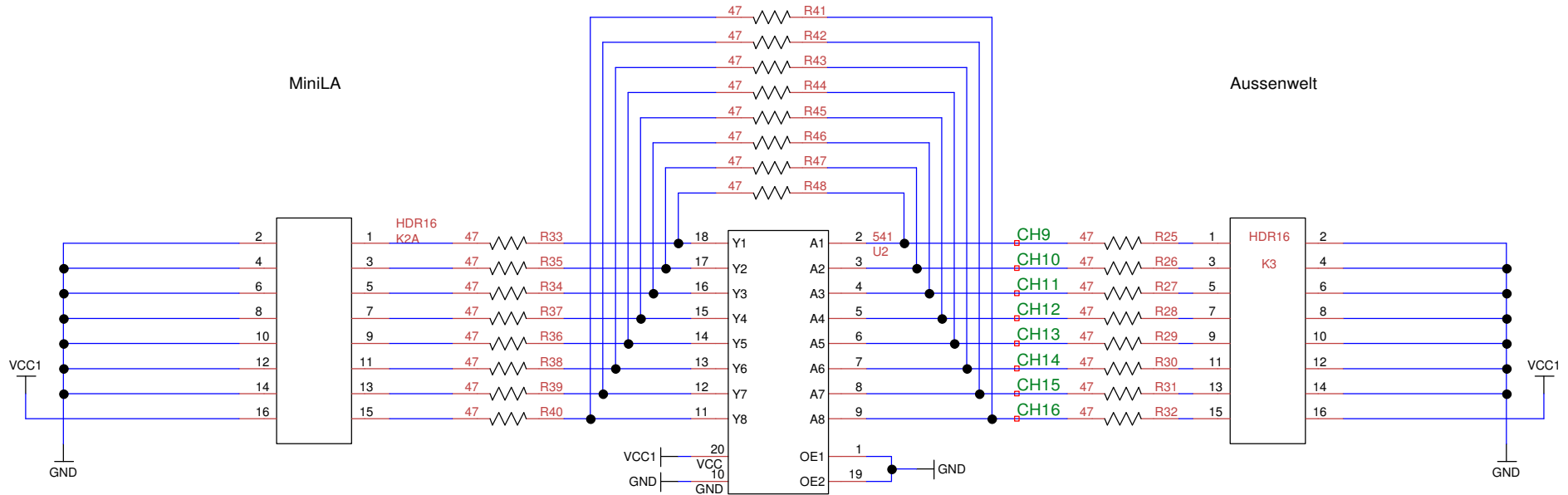


MiniLA

Aussenwelt



Title MiniLA-Zusatz		
Author		
File projects\minila_hw_bg_lptusb\aufsatzplatine2.dsn		Document
Revision 1.0	Date 1/1/2008	Sheets 1 of 1