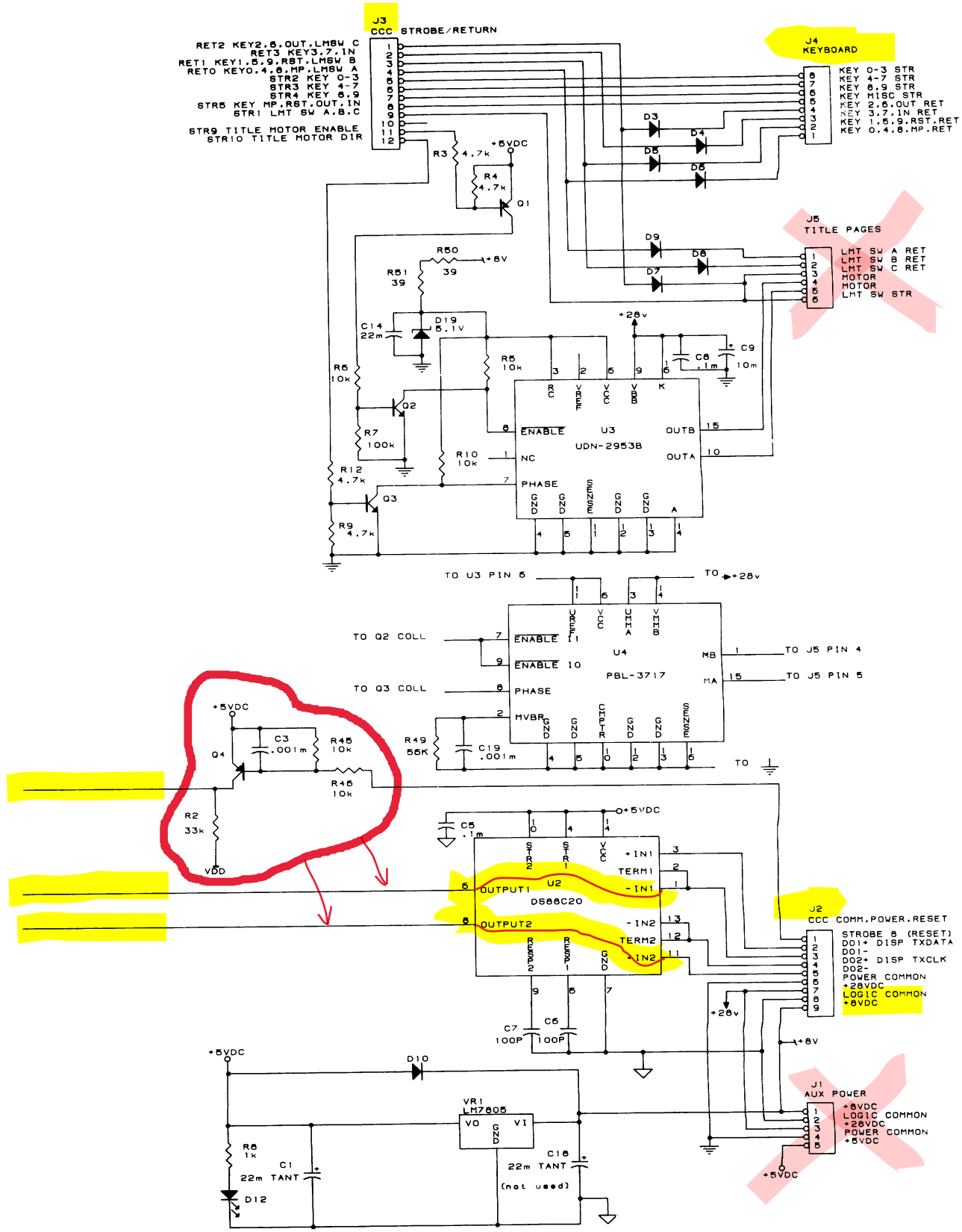


A 19  
 POR 20  
 PNT 40  
 TAIL 39  
 DATA 21  
 SCLK 22



For Equivalent Engineering Drawing See 40832301-Q2 H

Figure 5-11. Display Assembly