

Sheet: board

File: board.sch

Sheet: CPU

File: CPU.sch

Sheet: /
File: flash.sch

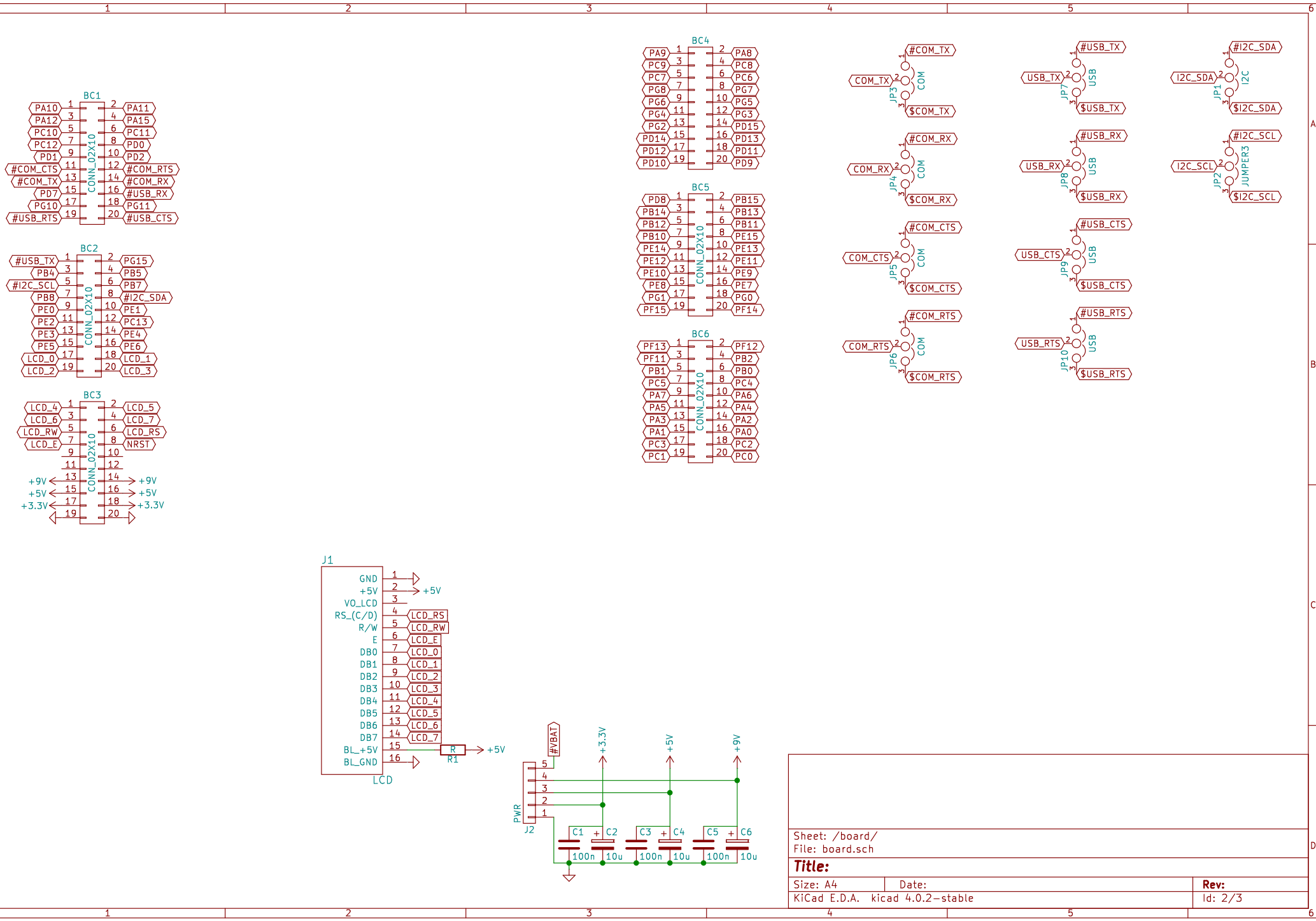
Title:

Size: A4

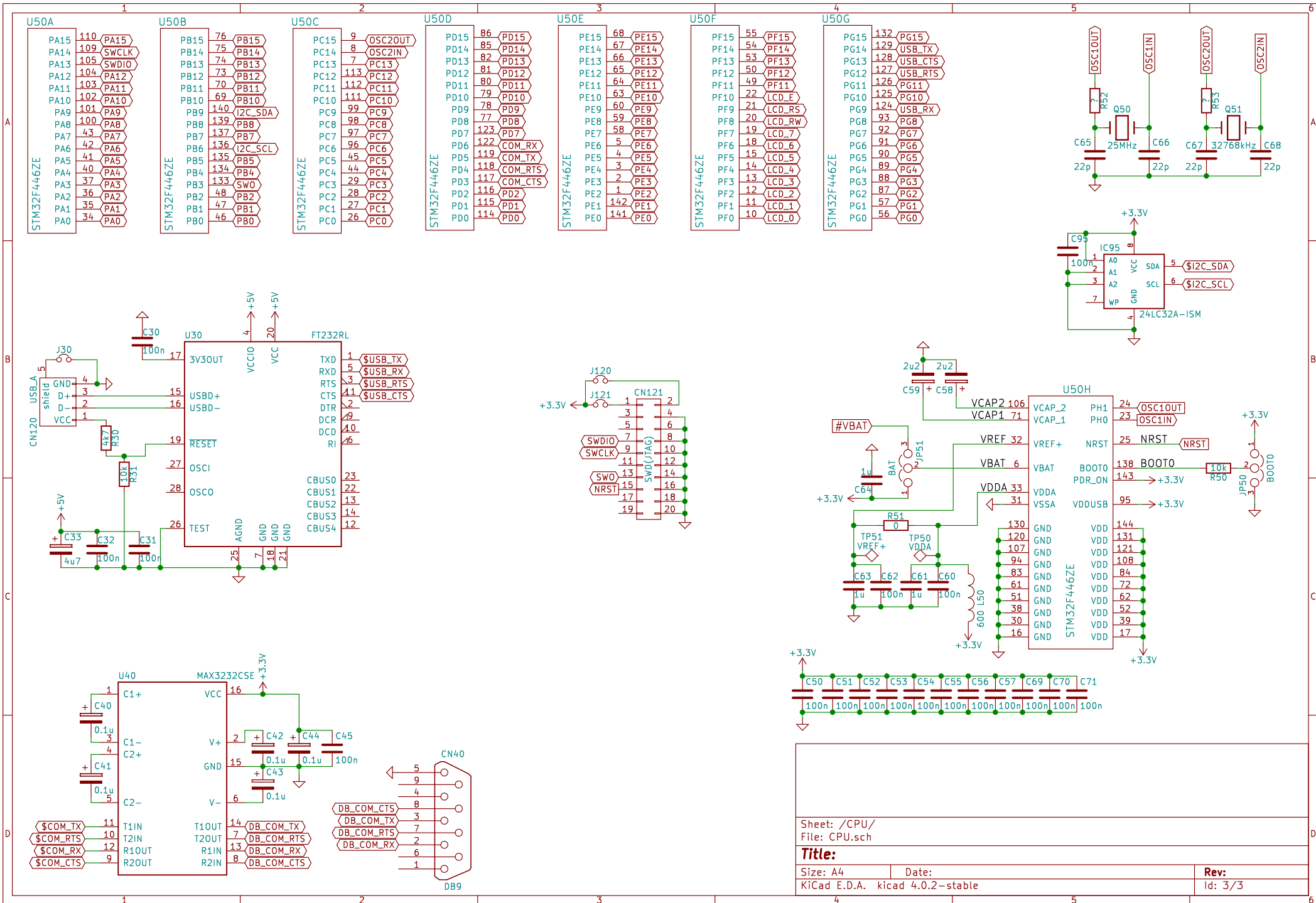
Date:

KiCad E.D.A. kicad 4.0.2-stable

Rev:
Id: 1/3



Sheet: /board/		Date:	
File: board.sch		Rev:	
Size: A4	KiCad E.D.A. kicad 4.0.2-stable		Id: 2/3



Sheet: /CPU/		Date:	
File: CPU.sch		Rev:	
Size: A4	Id: 3/3	KiCad E.D.A. kicad 4.0.2-stable	