

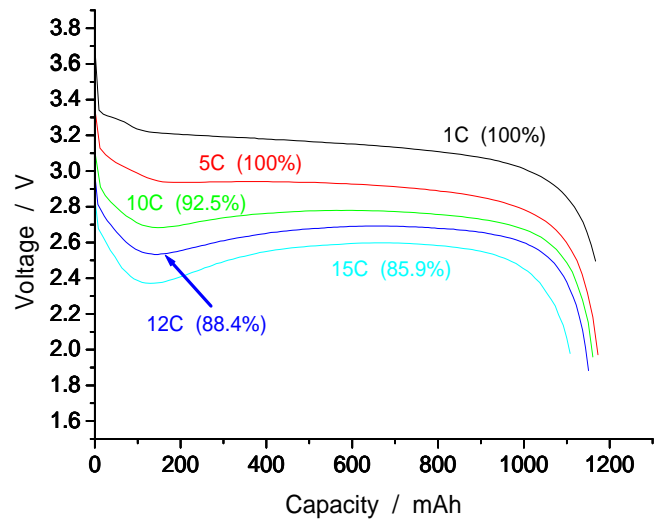


Specification of YT18650FP LiFePO4 battery

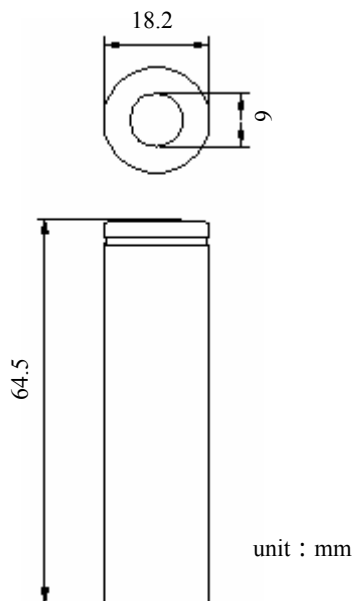
1. Main specification

Type	: Rechargeable LiFePO4 Cell
Dimension	: $\Phi=18.2 \pm 0.2\text{mm}$: $H=64.5 \pm 0.5\text{mm}$
Nominal Voltage	: 3.2V
Capacity	: Nominal 1200mAh Minimum 1050mAh when discharged at 0.5C ₅ mA to 2.0V
Recommended Charging Conditions	: 0.5C ₅ mA charge termination control parameters taper current 0.05C ₅ mA at 3.65V
Weight	: Approx. 38g
Internal Resistance	: 35m Ω max. at 1000Hz
Charging Voltage	: $3.65 \pm 0.05\text{V}$
Ambient Temperature Range	: Charging : -20 ~ +45 Discharging : -20 ~ +60 Storage : -5 ~ +35

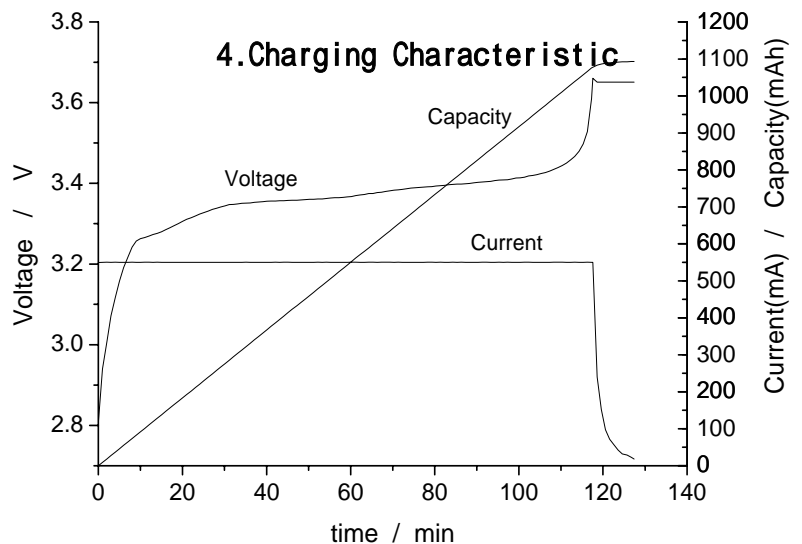
2. Discharging Characteristic



3. Battery drawing



4. Charging Characteristic



YUNTONG Power Co., Ltd Tel: 86-760-8299191 Fax: 86-760-8299581 E-mail: hanjin@pub.zhongshan.gd.cn

Subject to change without prior notice