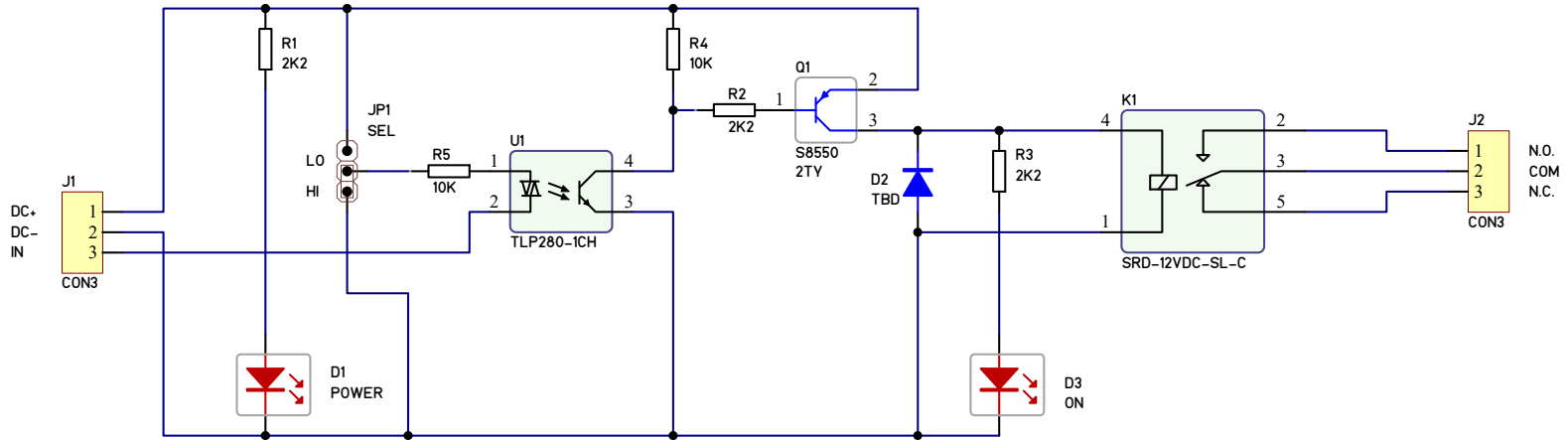


RELAY MODULE High/Low Level Trigger



Unless otherwise specified, all values are as follows:
 resistor values are in Ohms, i.e. 0R47, 5R6, 220, 5K6, 22K
 capacitor values are in Microfarads, i.e. 220p, 0u1, 2u2, 33
 inductor values are in Microhenries, i.e. 0u22, 5u6, 68, 2m2

PCB Name: *Relay Module*

PCB Nr. *No Number*

PCB Type: FR4 2L 2SM 2LL 0.062

Title *Relay Module 12V H/L*

Used in N/A

Repl.for N/A

Build No. 1

This drawing is our property. Duplication, unauthorized use of any kind is prohibited.

Without Approval use only for inquiry.

Approval:

	Date	Name	Change Index	Change Notification Nr.	Date	Name
Drawn	<i>14-Nov-2016</i>	<i>GJO</i>				
Modified						
Checked						
<input type="checkbox"/> Prototype	<input checked="" type="checkbox"/> Production	<input type="checkbox"/> BOM Done?				

Scale: Electrical

Drw. Type: PCB Schematic

Size: **A**

Rev: **1**

File: *Relay Ctl.sch*

Prj. Nr

16016

Drw. Nr

4415-00XX

Sheet *1* of *1*

