

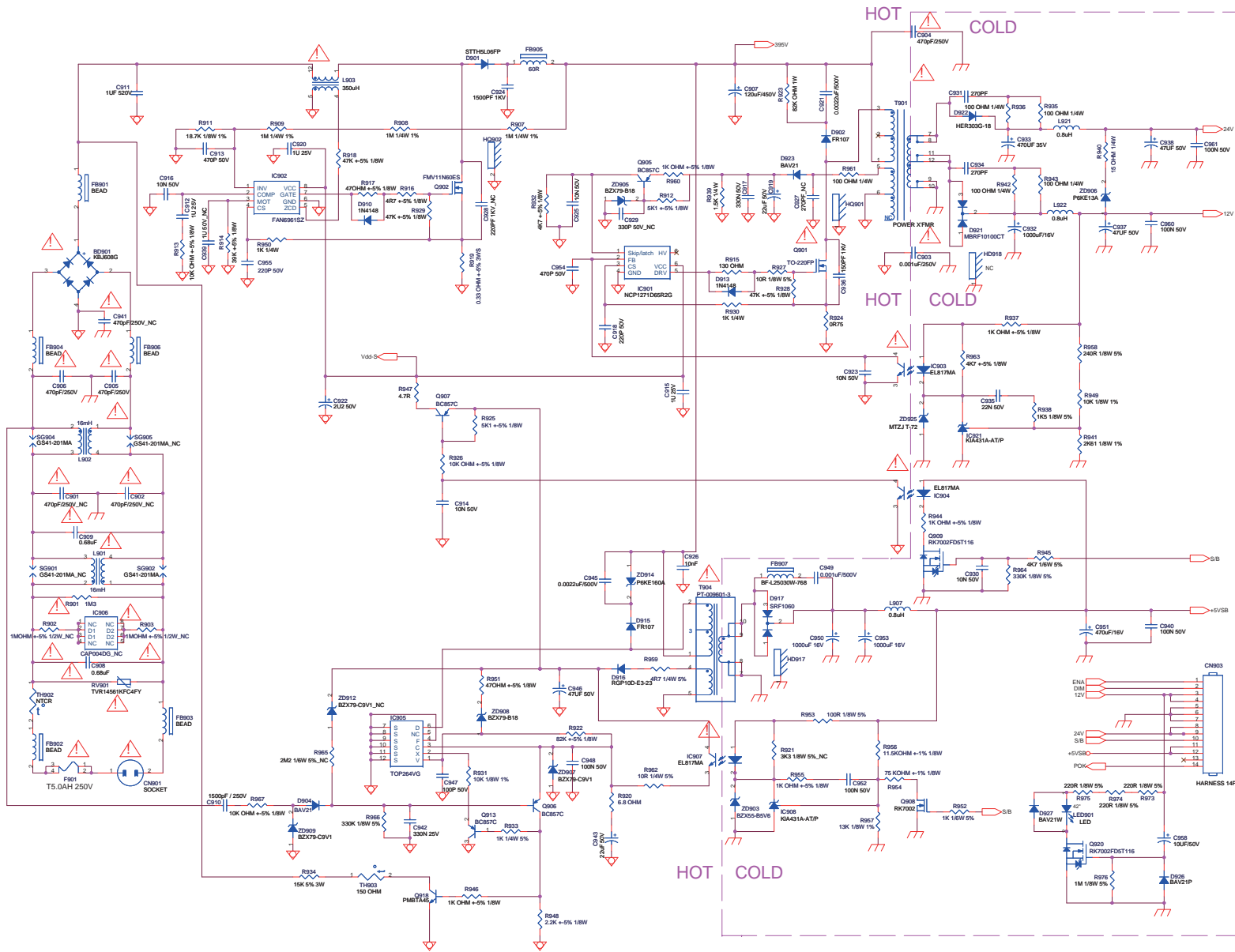
10-2 A01 715G4546 PSU 37", 42" and 47"

Power

A01

Power

A01



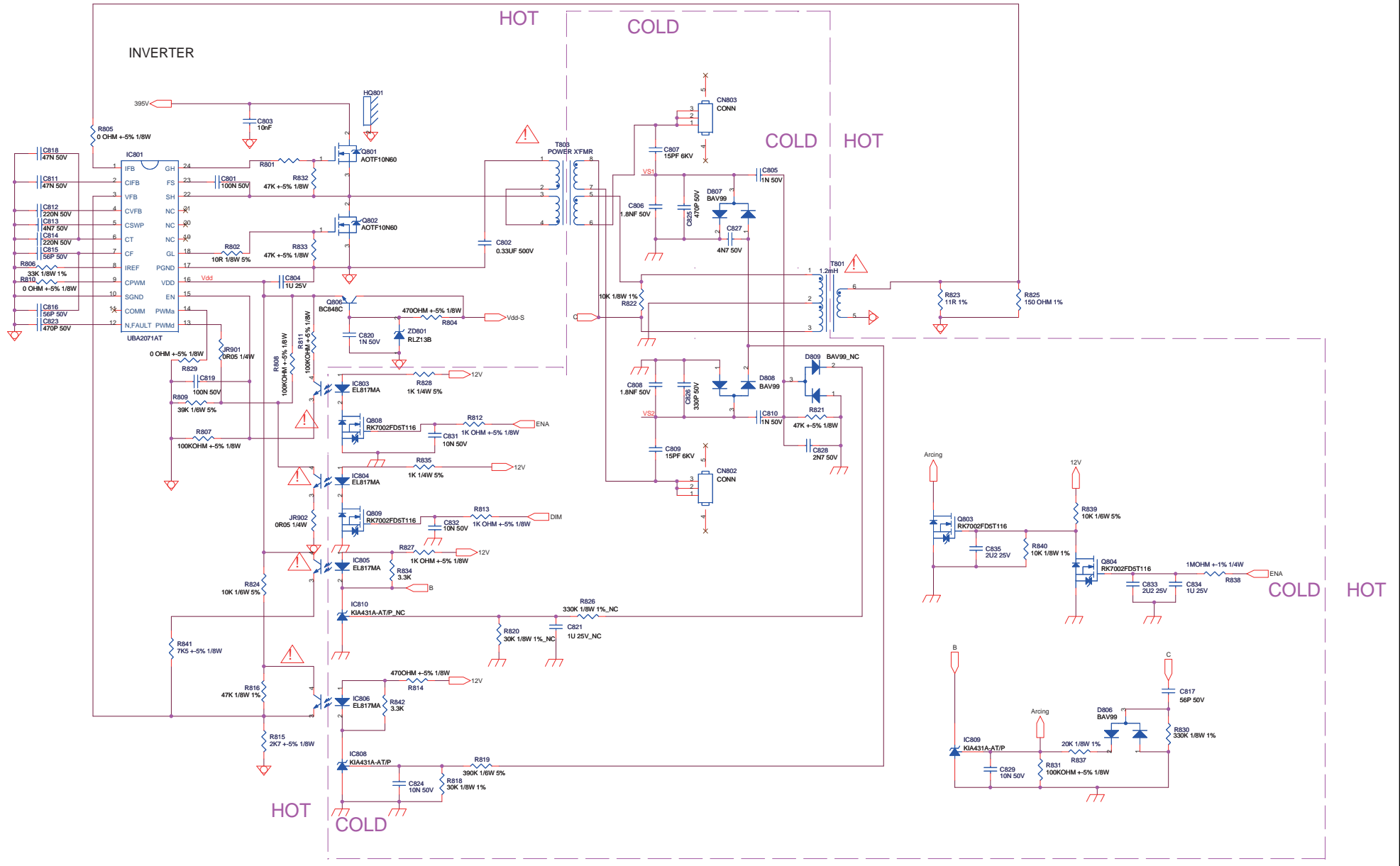
Power	715G4546	2011-08-23
		110510

Inverter

A02

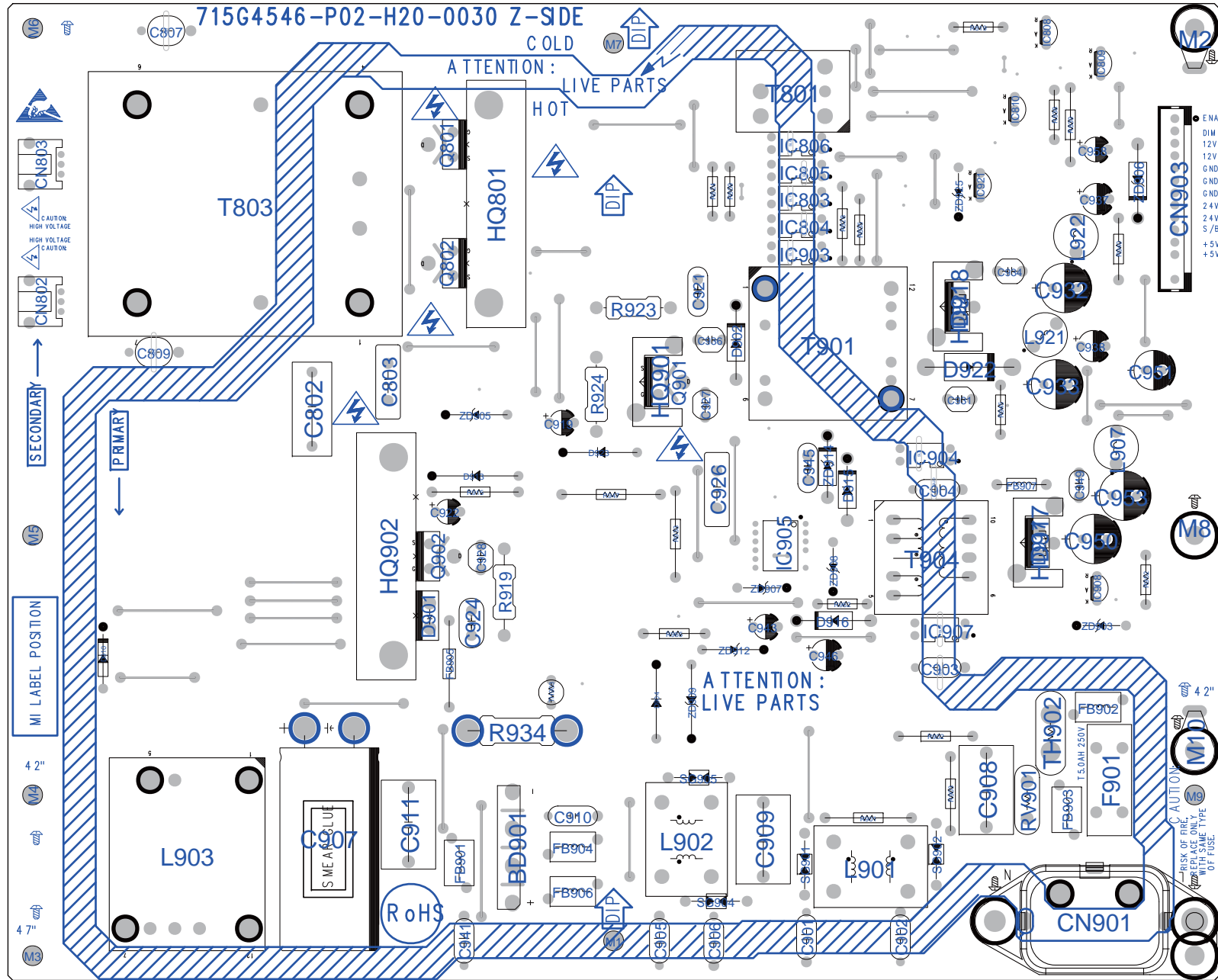
Inverter

A02



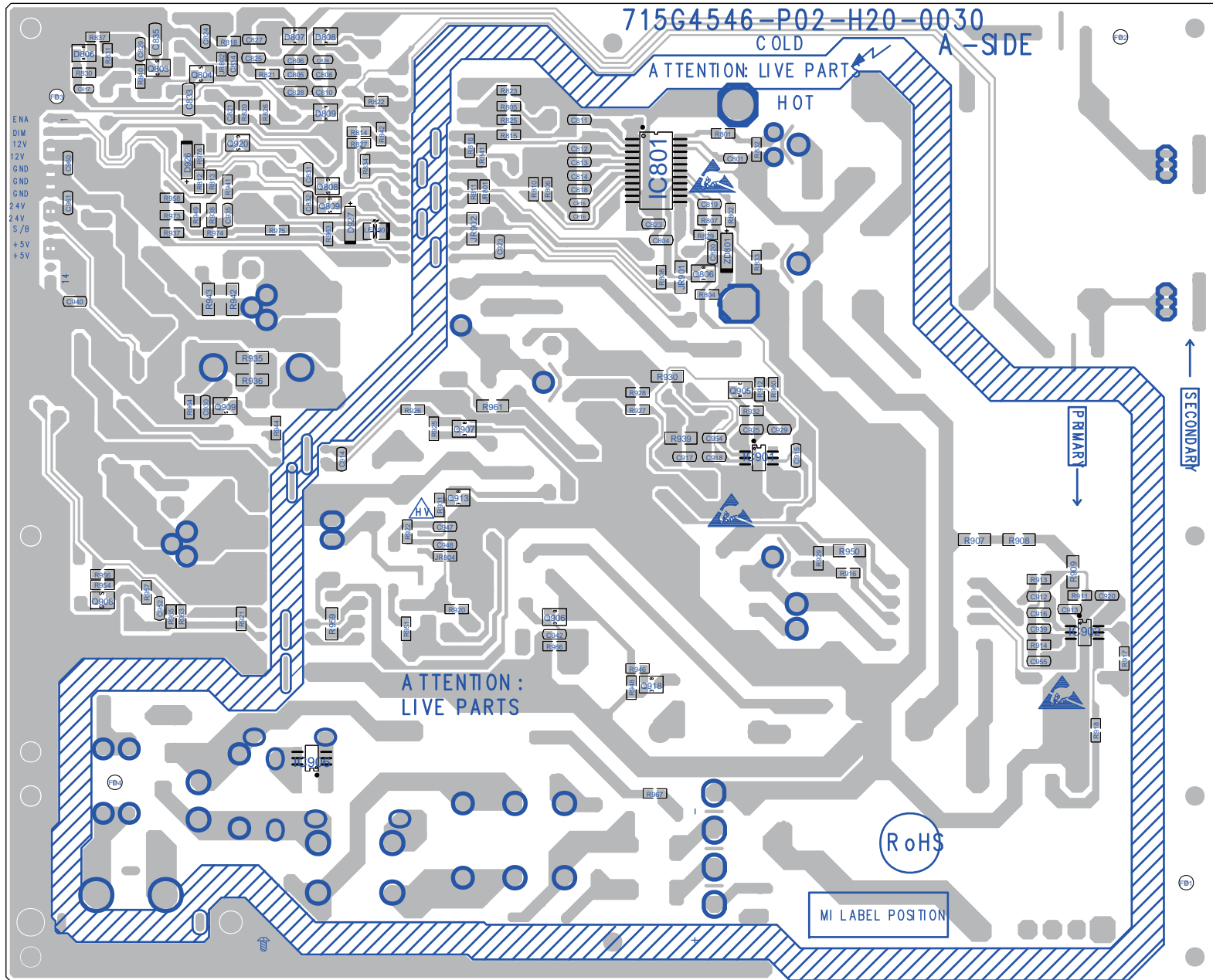
Inverter	715G4546
----------	----------

Power layout top



Power layout top	715G4546
	2011-08-19

Power layout bottom



Power layout bottom

715G4546