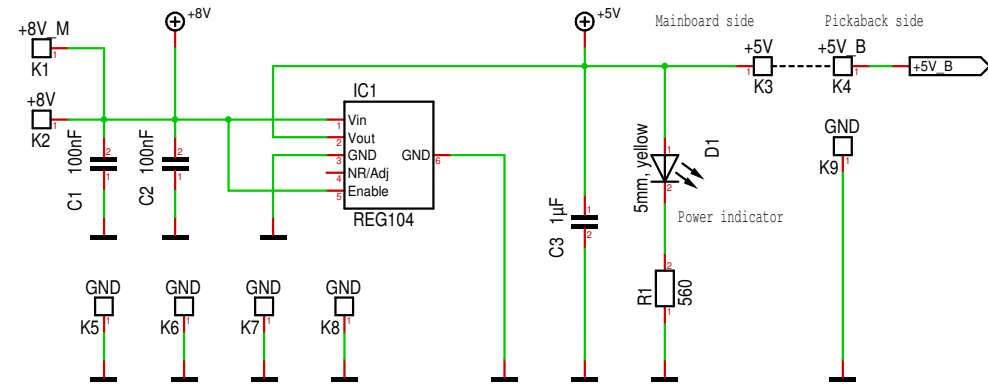
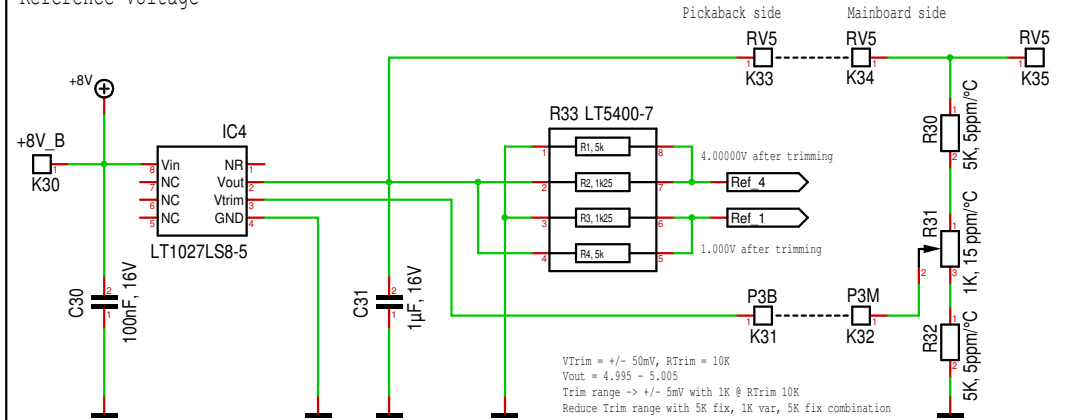


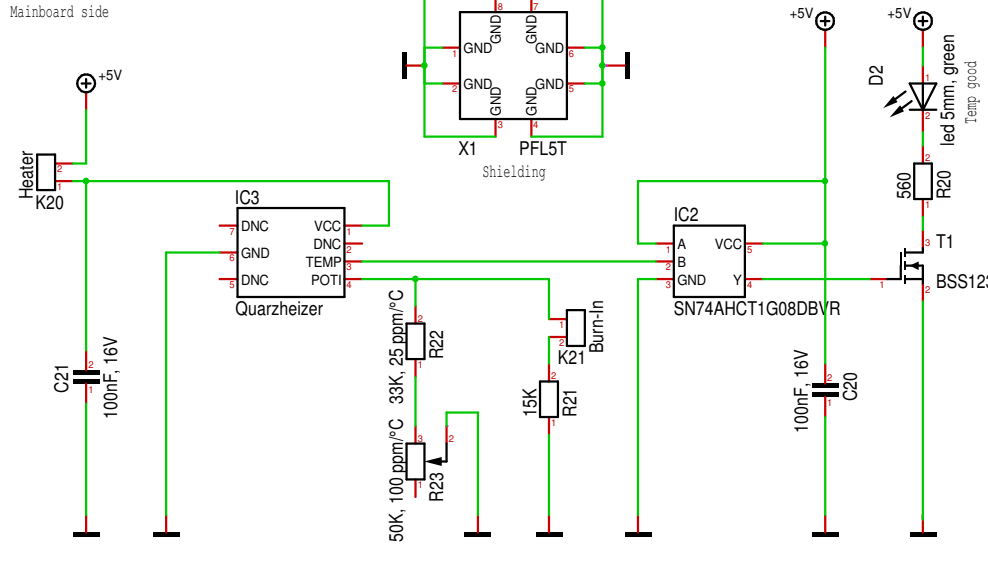
Voltage Supply



Reference Voltage

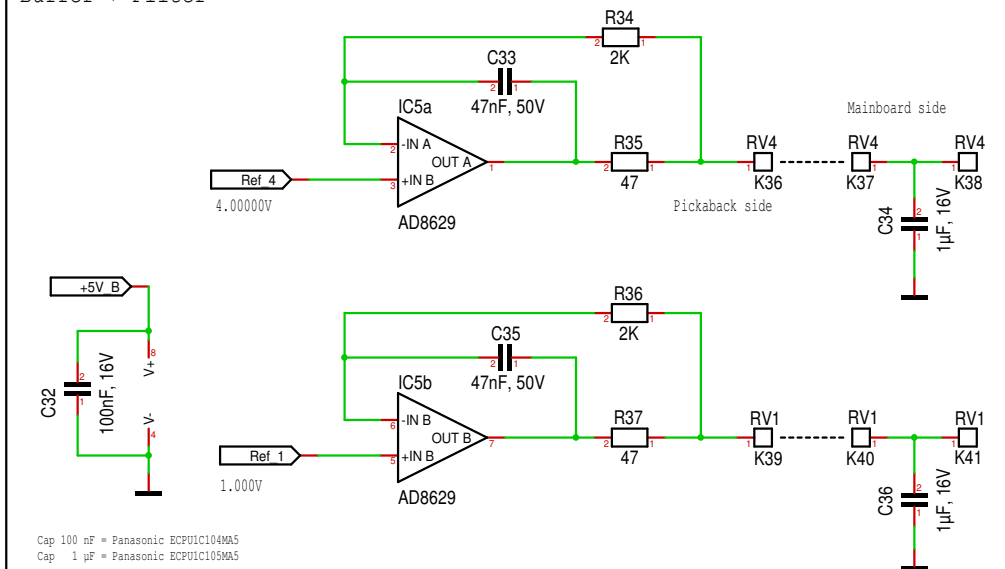


Temperature Control

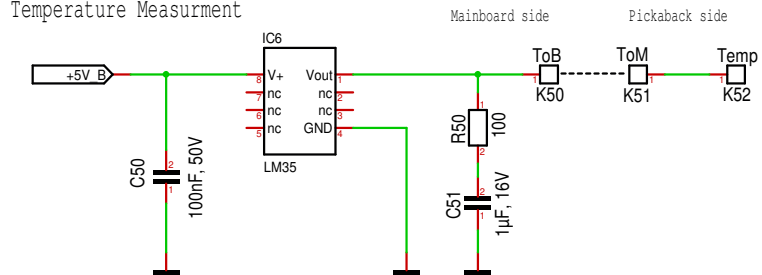


Buffer + Filter

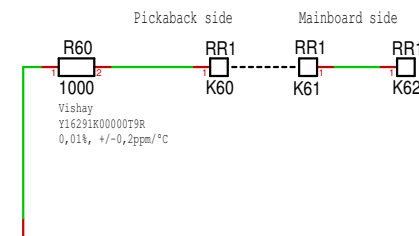
Filter Design according to Burr Brown "Voltage-Reference Filters" Figure 2



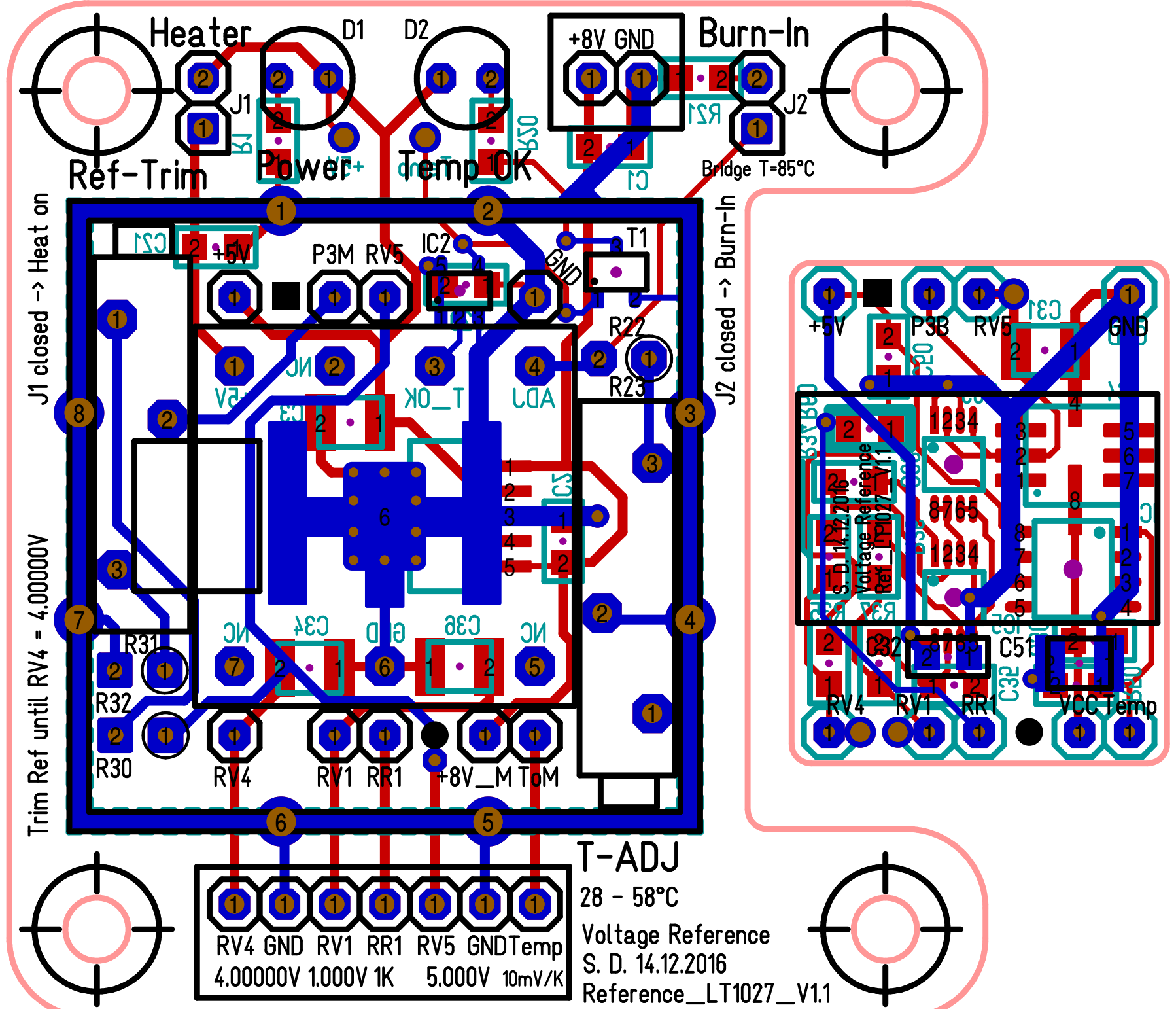
Temperature Measurement



Reference Resistor



Temperierte Spannungs- und Widerstandsreferenz:
 Es werden 3 Referenzspannungen 1V(RV1), 4V(RV4) und 5V(RV5) zur Verfügung gestellt, wobei nur die 4V exakt justiert werden.
 Ein hochgenauer 1K Widerstand ist ebenfalls vorhanden (RR1).



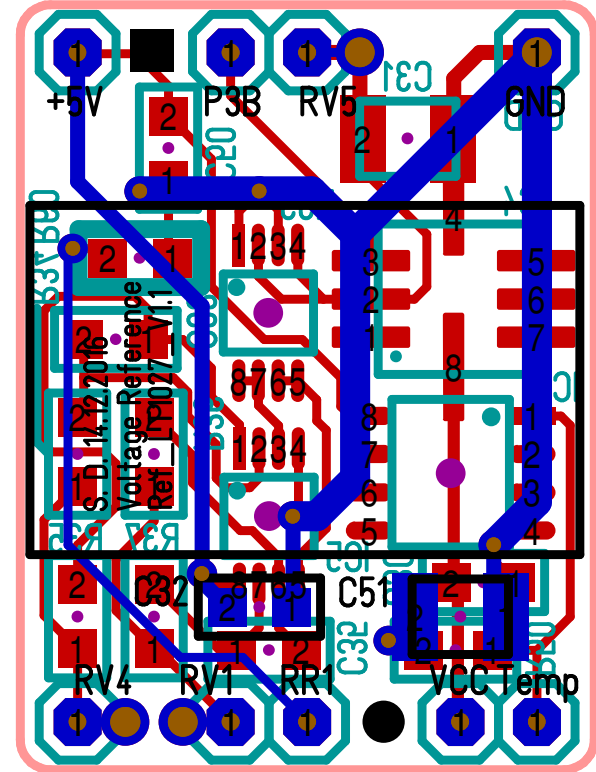
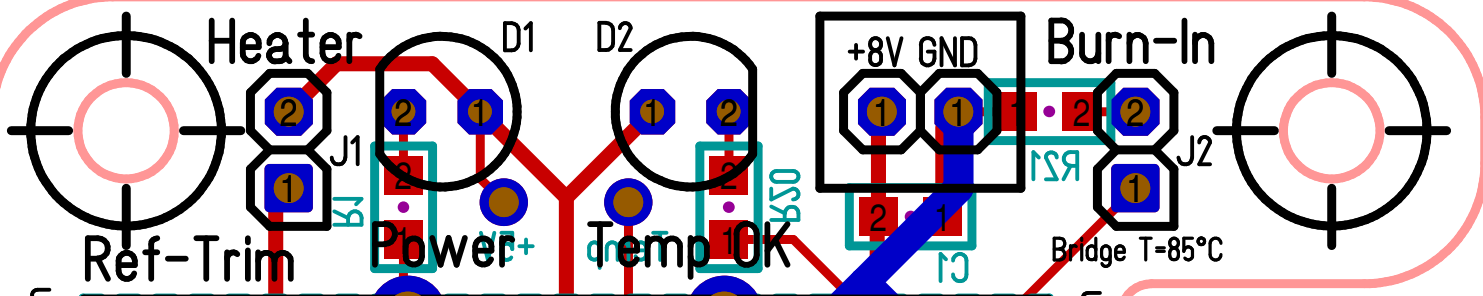
J1 closed -> Heat on

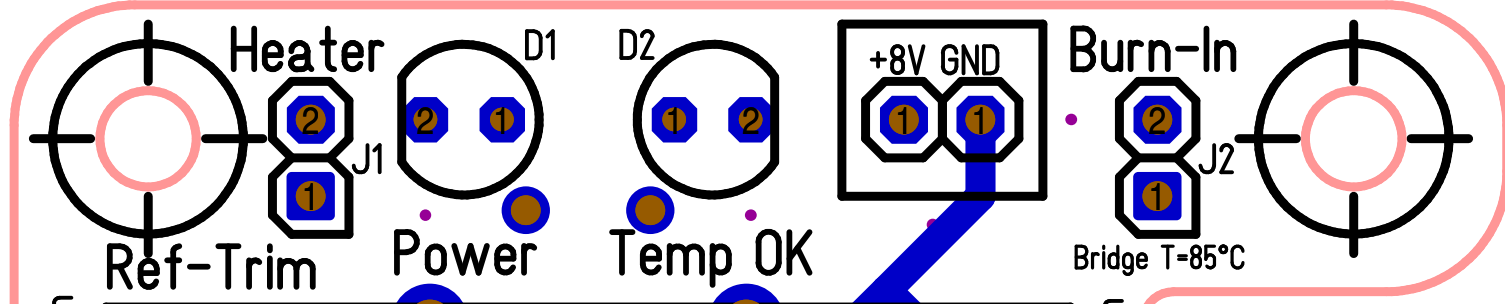
J2 closed -> Burn-In

Trim Ref until RV4 = 4.00000V

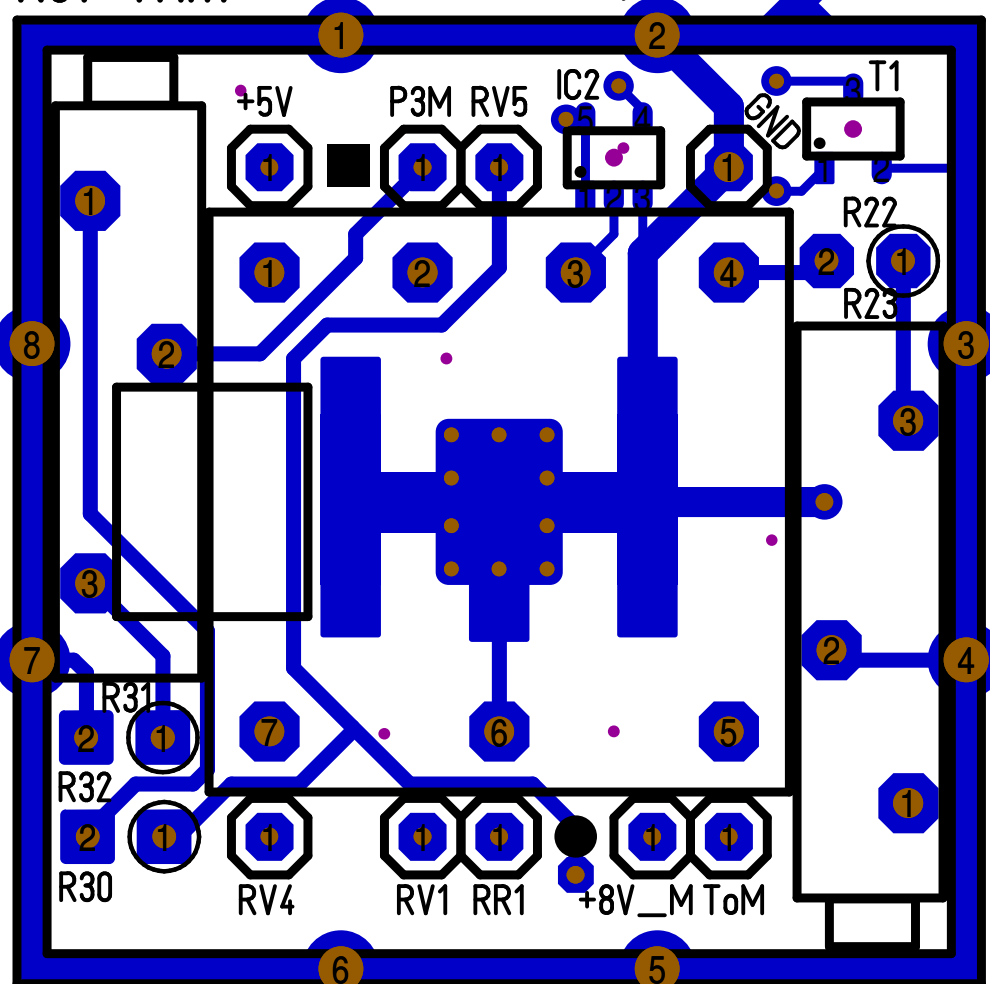
RV4	GND	RV1	RR1	RV5	GND	Temp
4.00000V		1.000V	1K	5.000V		10mV/K

T-ADJ
28 - 58°C
Voltage Reference
S. D. 14.12.2016
Reference_LT1027_V1.1

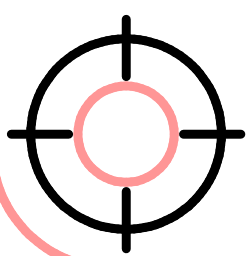
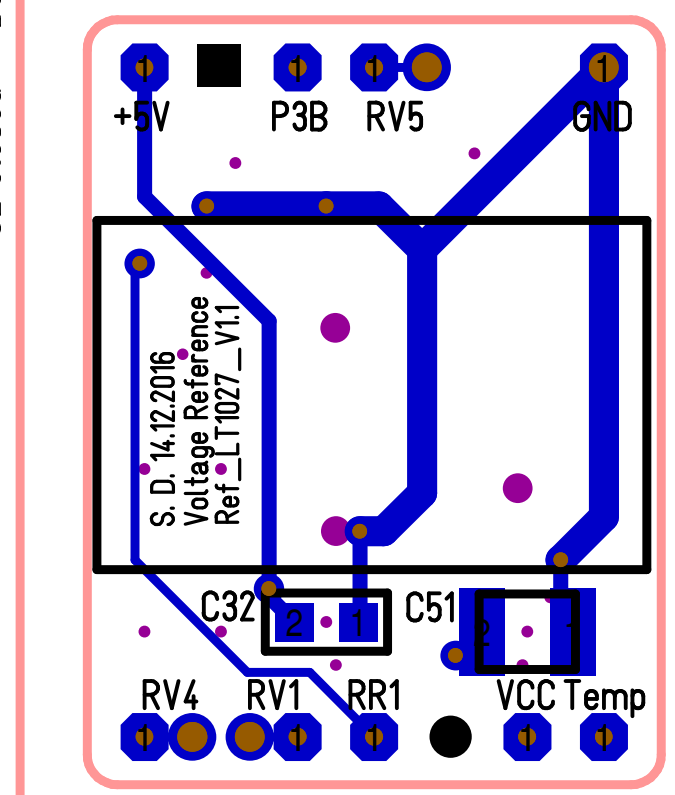




J1 closed -> Heat on
Trim Ref until RV4 = 4.00000V



J2 closed -> Burn-In



RV4	GND	RV1	RR1	RV5	GND	Temp
4.00000V		1.000V	1K	5.000V		10mV/K

T-ADJ
28 - 58°C
Voltage Reference
S. D. 14.12.2016
Reference_LT1027_V1.1

