

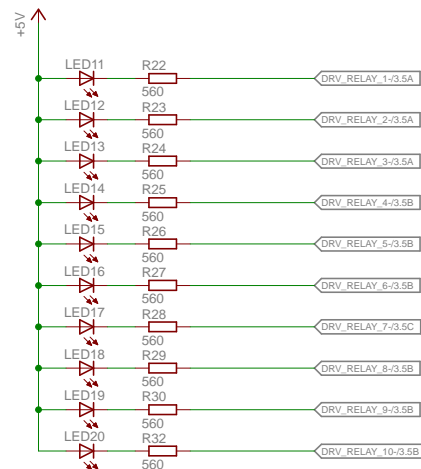
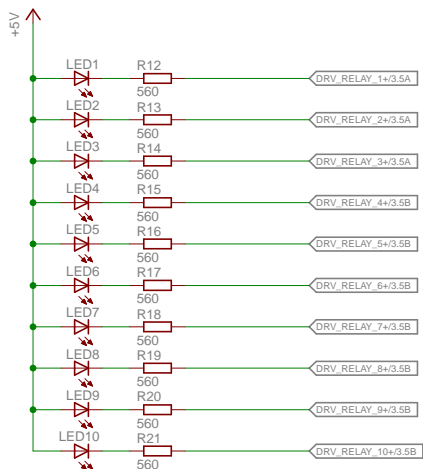
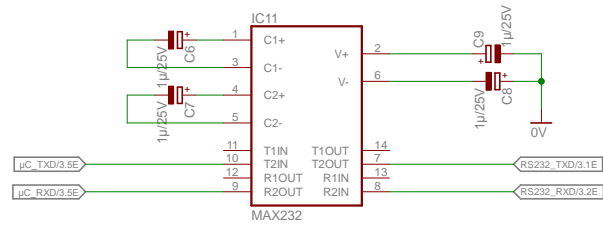
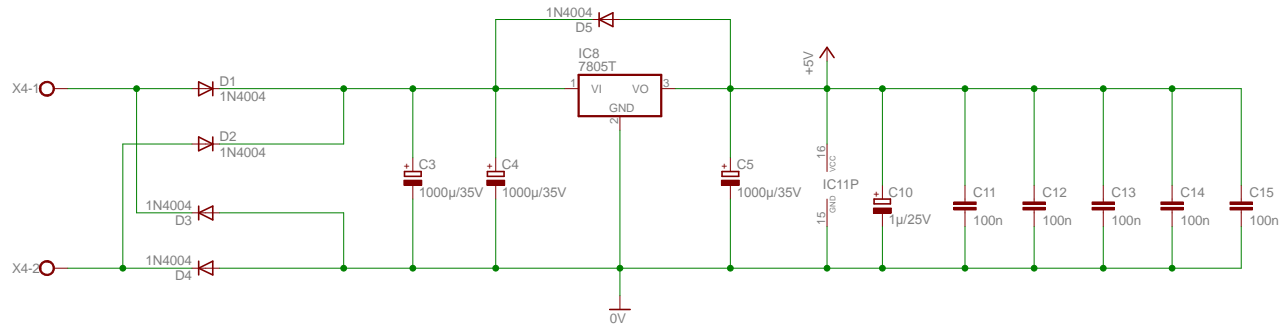
TITLE: Multiplexer_Voltmeter_Logger

Document Number:

REV:

Date: 29.12.2016 20:07:58

Sheet: 1/4



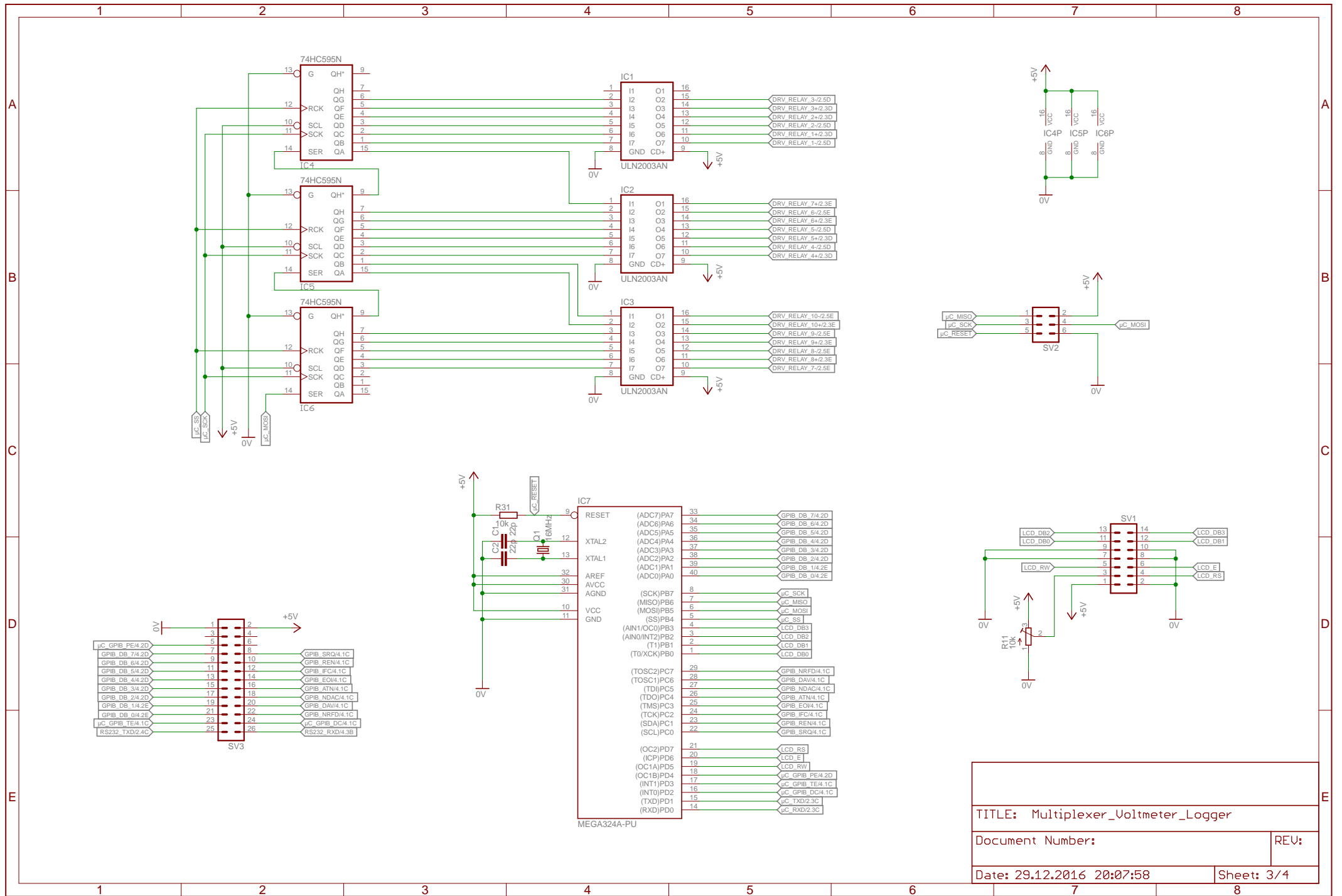
TITLE: Multiplexer_Voltmeter_Logger

Document Number:

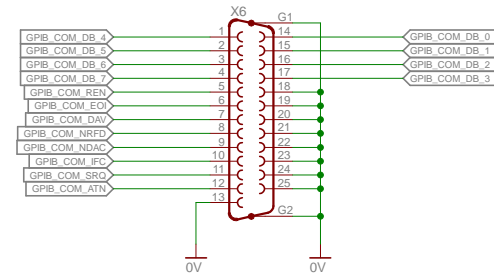
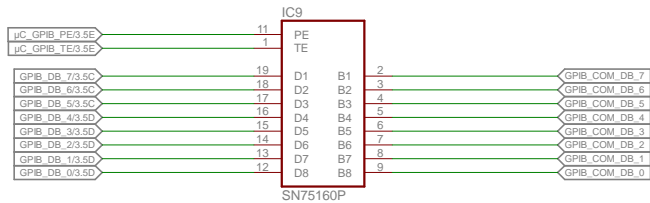
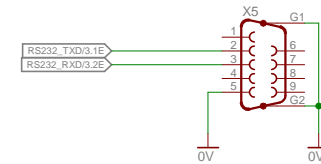
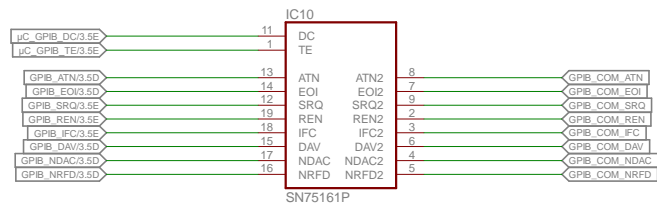
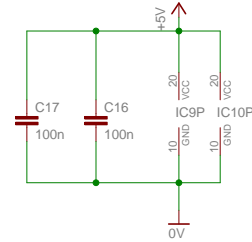
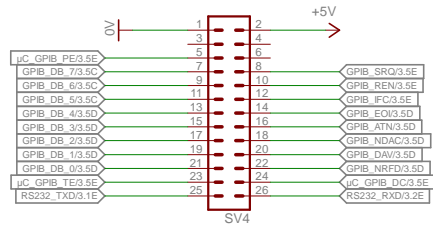
REV:

Date: 29.12.2016 20:07:58

Sheet: 2/4



TITLE: Multiplexer_Voltmeter_Logger	
Document Number:	REV:
Date: 29.12.2016 20:07:58	Sheet: 3/4



TITLE: Multiplexer_Voltmeter_Logger

Document Number:

REV:

Date: 29.12.2016 20:07:58

Sheet: 4/4