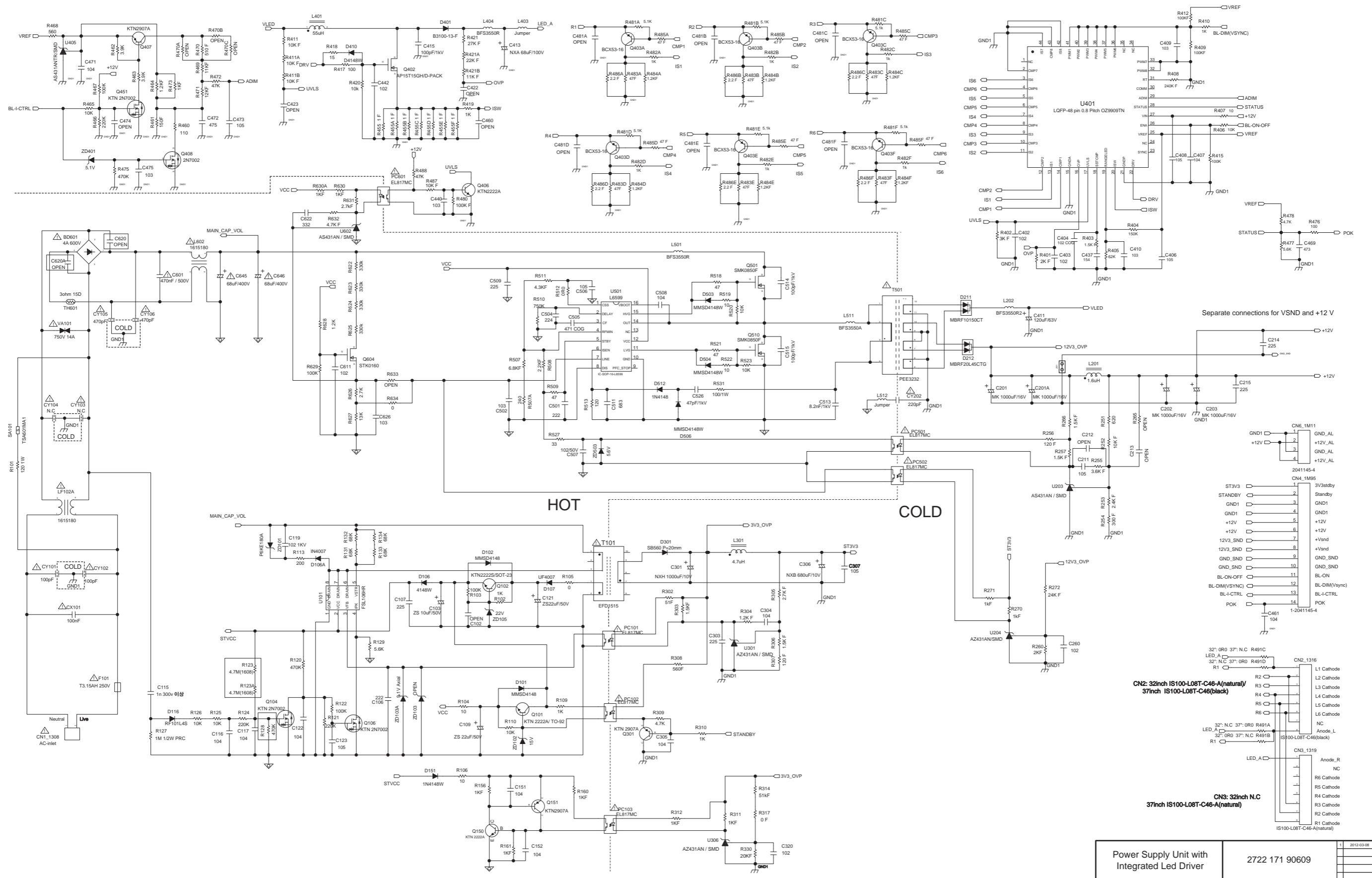
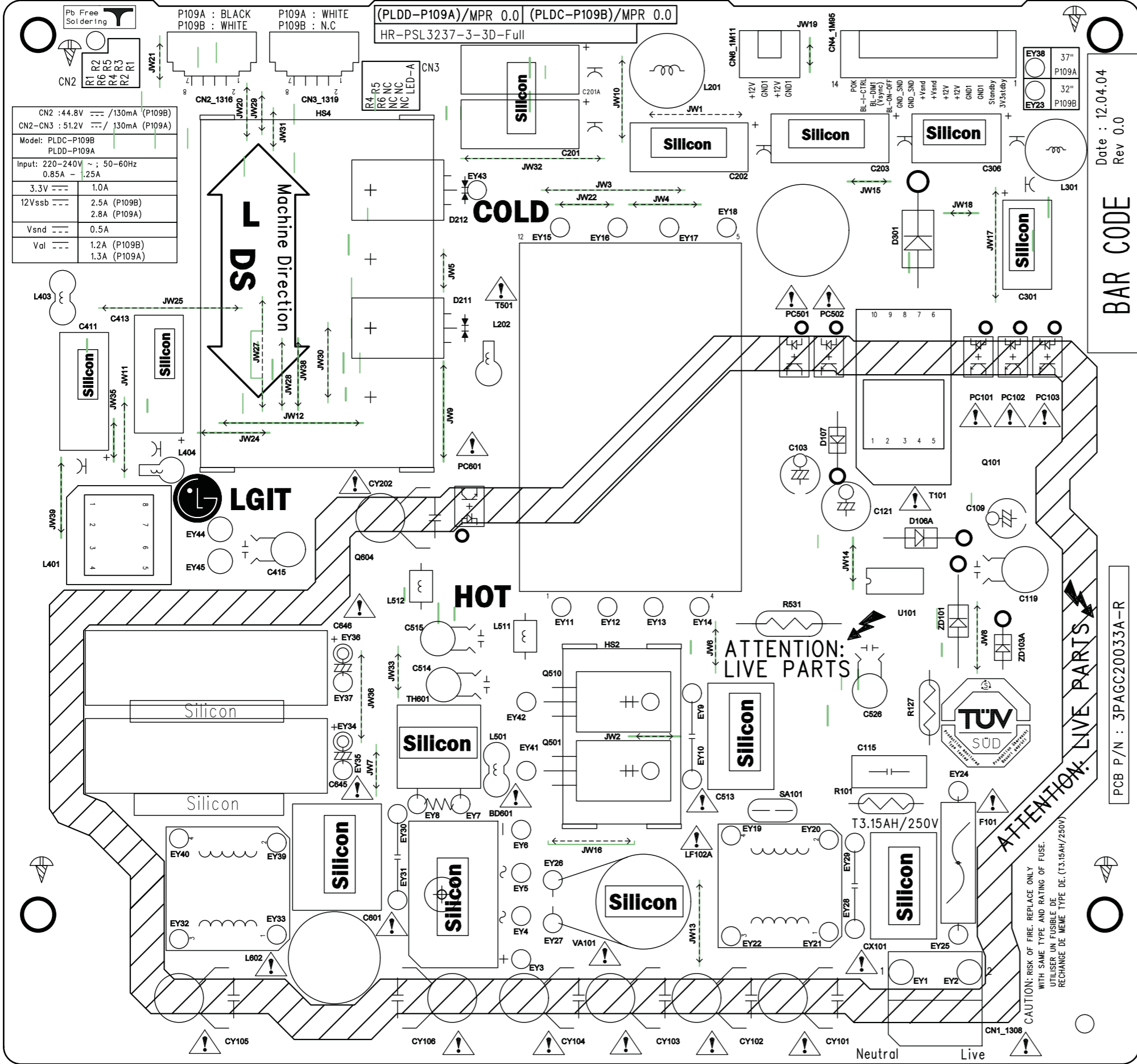


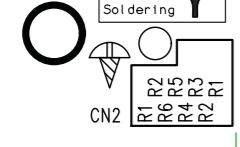
# Power Supply Unit with Integrated Led Driver



Power Supply Unit with Integrated Led Driver	2722 171 90609	1	2012-03-08



CN2 : 44.8V	130mA (P109B)
CN2-CN3 : 51.2V	130mA (P109A)
Model: PLDC-P109B PLDD-P109A	
Input: 220-240V ~ ; 50-60Hz 0.85A - .25A	
3.3V	1.0A
12Vssb	2.5A (P109B) 2.8A (P109A)
Vsnd	0.5A
Val	1.2A (P109B) 1.3A (P109A)



P109A : BLACK  
P109B : WHITE

(PLDD-P109A)/MPR 0.0 (PLDC-P109B)/MPR 0.0  
HR-PSL3237-3-3D-Full

Date : 12.04.04  
Rev 0.0

BAR CODE

PCB P/N : 3PAGC20033A-R

CAUTION: RISK OF FIRE. REPLACE ONLY  
WITH SAME TYPE AND RATING OF FUSE.  
UTILISER UN FUSIBLE DE  
RECHARGE DE MEME TYPE DE (T3.15AH/250V)

PSL Layout top	2722 171 90609	2012-03-08
----------------	----------------	------------