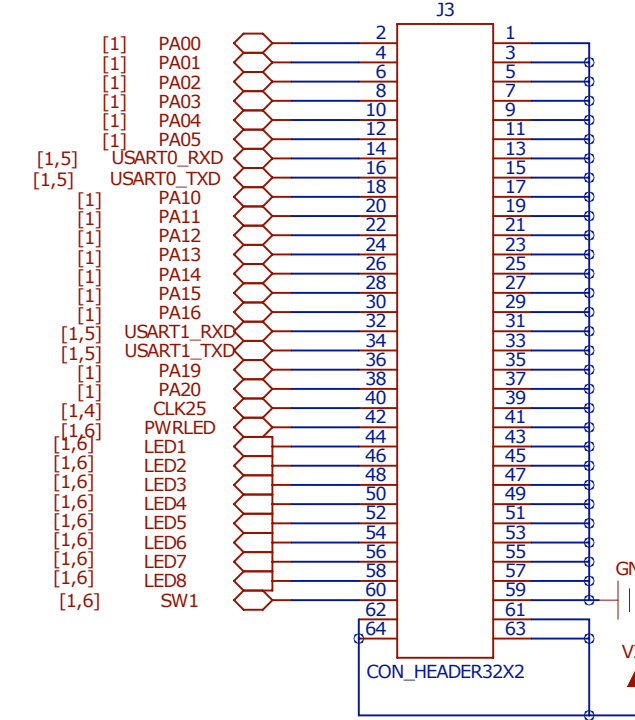
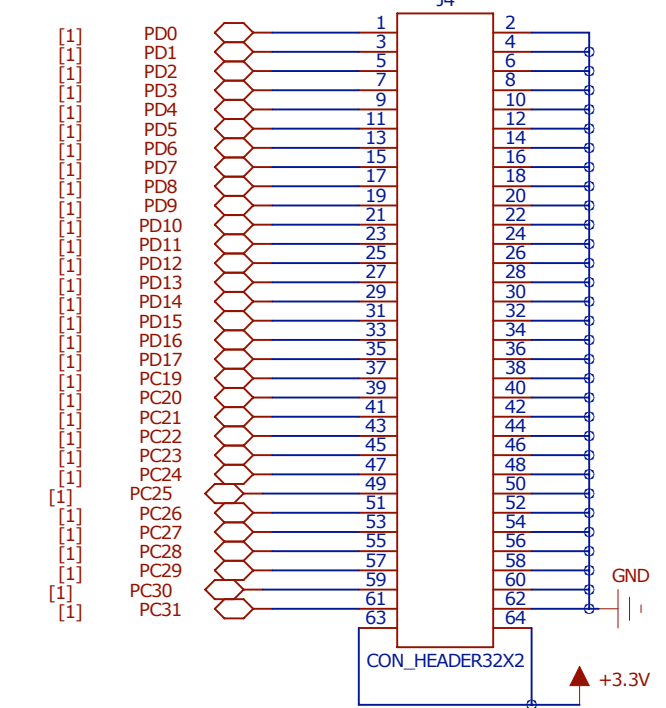


Connector for PORTA



Connector for PORTC, PORTD

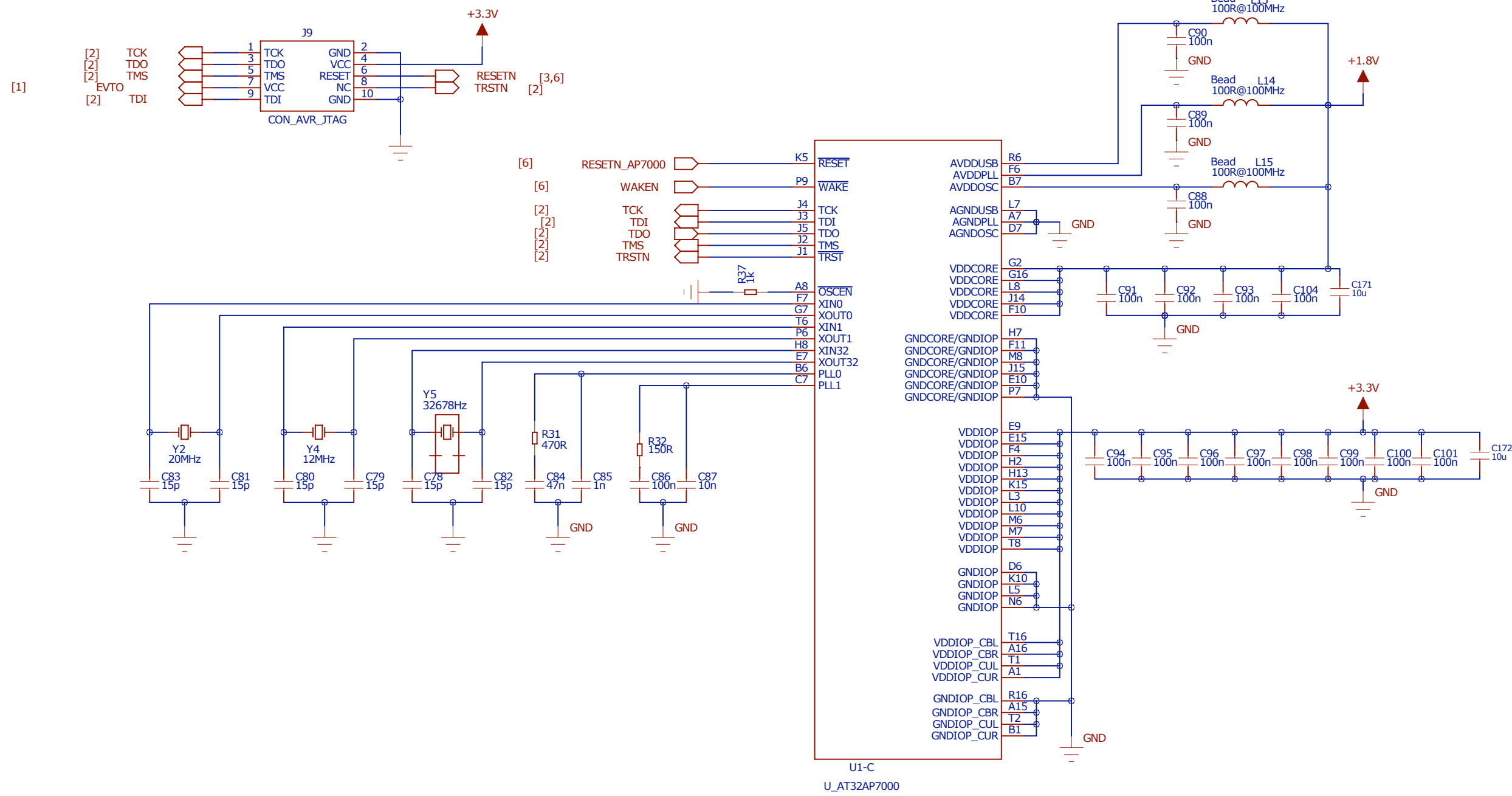


GNU/GPL2 (contact: office@in-circuit.de)
 (C) by In-Circuit GmbH, Germany

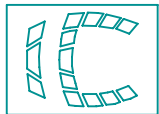


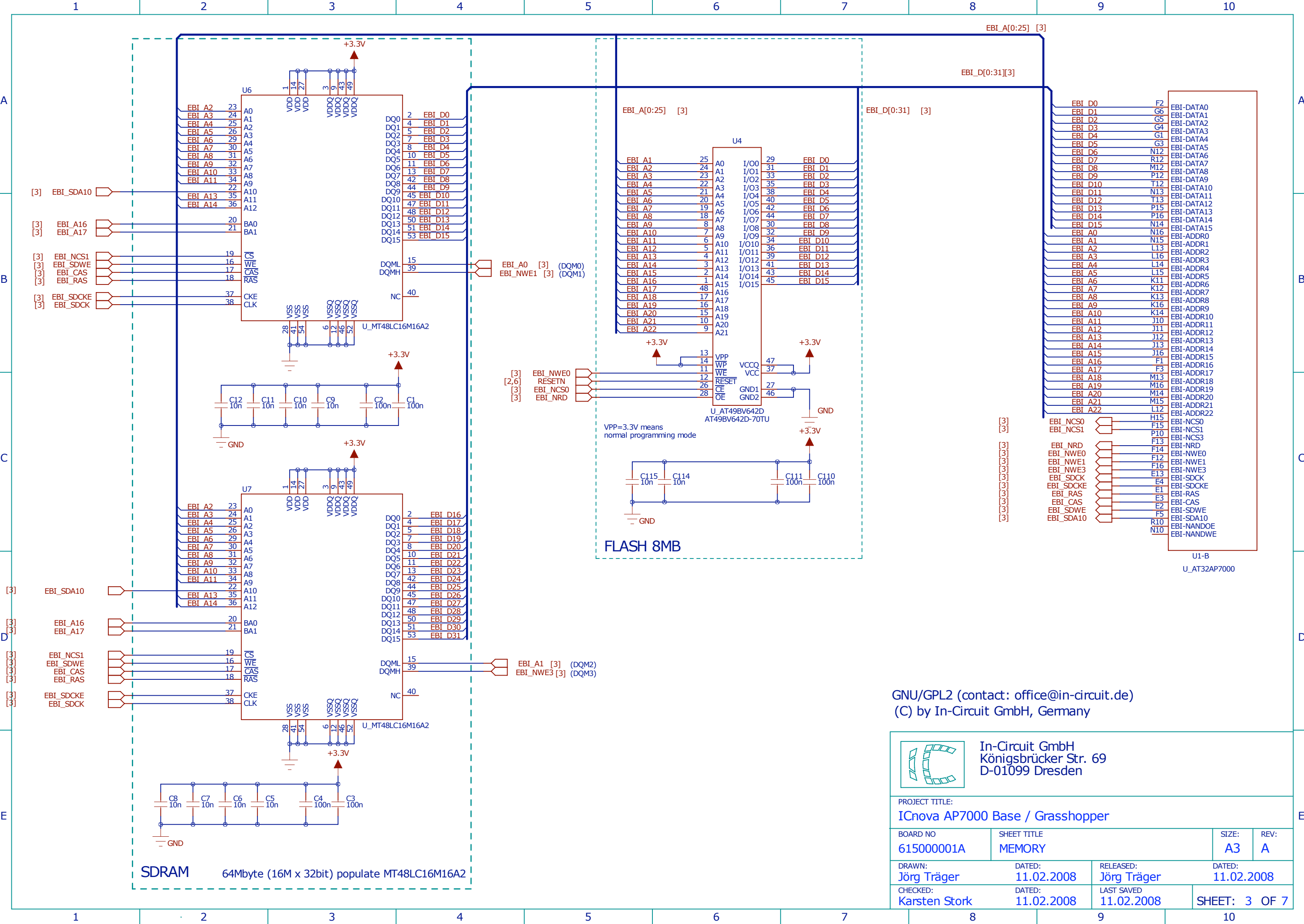
In-Circuit GmbH
 Königsbrücker Str. 69
 D-01099 Dresden

PROJECT TITLE: ICnova AP7000 Base / Grasshopper			
BOARD NO 61500001A	SHEET TITLE AP7000_IO	SIZE: A3	REV: A
DRAWN: Jörg Träger	DATED: 11.02.2008	RELEASED: Jörg Träger	DATED: 11.02.2008
CHECKED: Karsten Stork	DATED: 11.02.2008	LAST SAVED 11.02.2008	SHEET: 1 OF 7



GNU/GPL2 (contact: office@in-circuit.de)
 (C) by In-Circuit GmbH, Germany

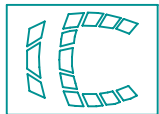
		In-Circuit GmbH Königsbrücker Str. 69 D-01099 Dresden	
PROJECT TITLE:			
ICnova AP7000 Base / Grasshopper			
BOARD NO	SHEET TITLE	SIZE:	REV:
615000001A	AP7000_PWR+CLK+RST	A3	A
DRAWN:	DATED:	RELEASED:	DATED:
Jörg Träger	11.02.2008	Jörg Träger	11.02.2008
CHECKED:	DATED:	LAST SAVED	SHEET: 2 OF 7
Karsten Stork	11.02.2008	11.02.2008	

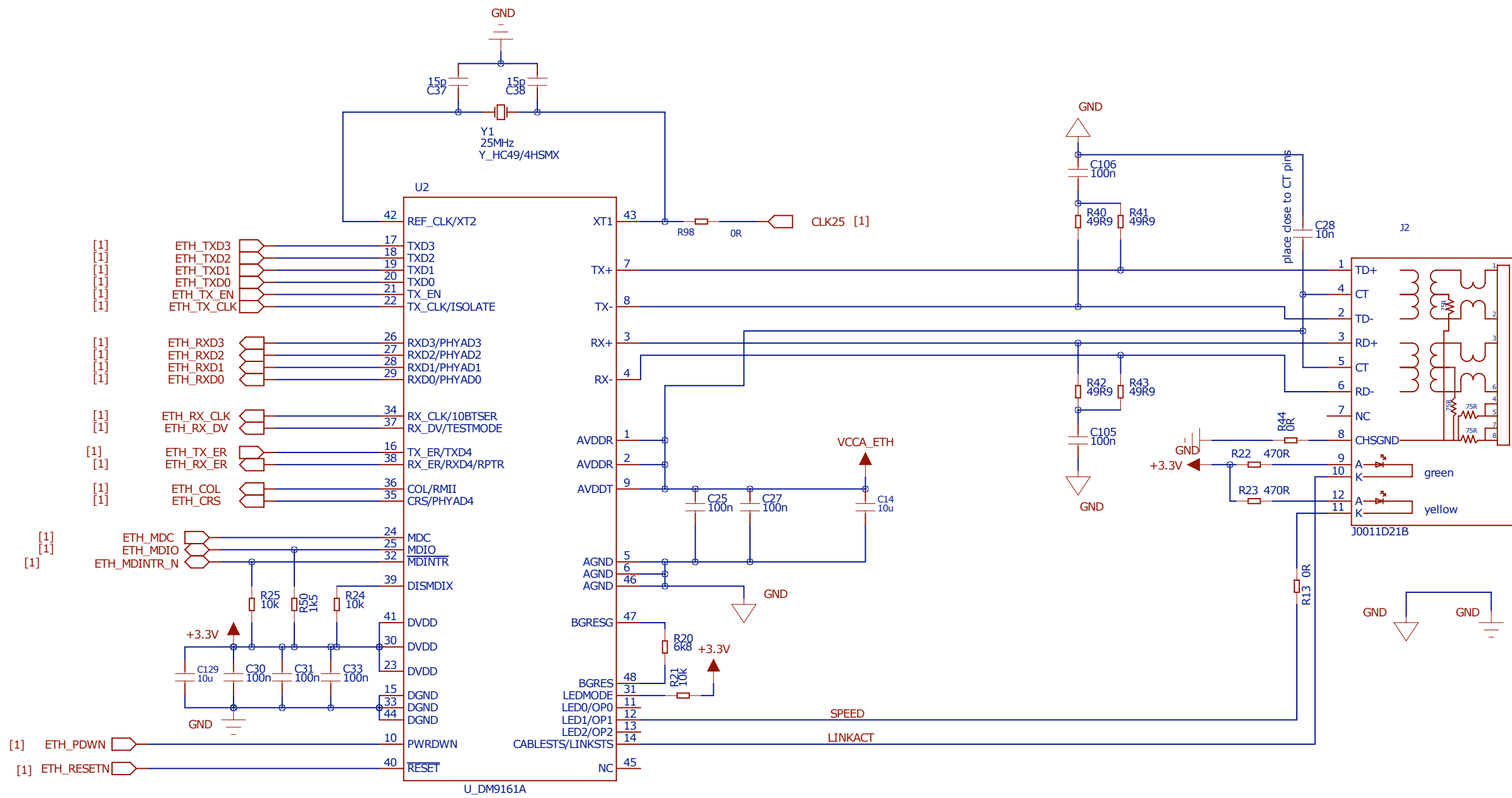


SDRAM 64Mbyte (16M x 32bit) populate MT48LC16M16A2


FLASH 8MB

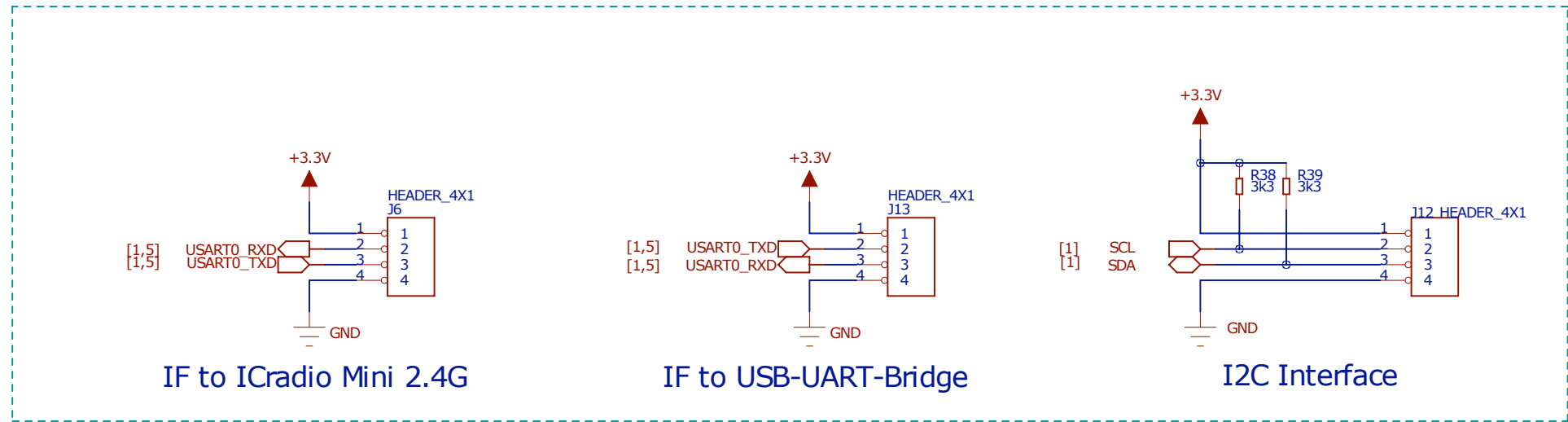
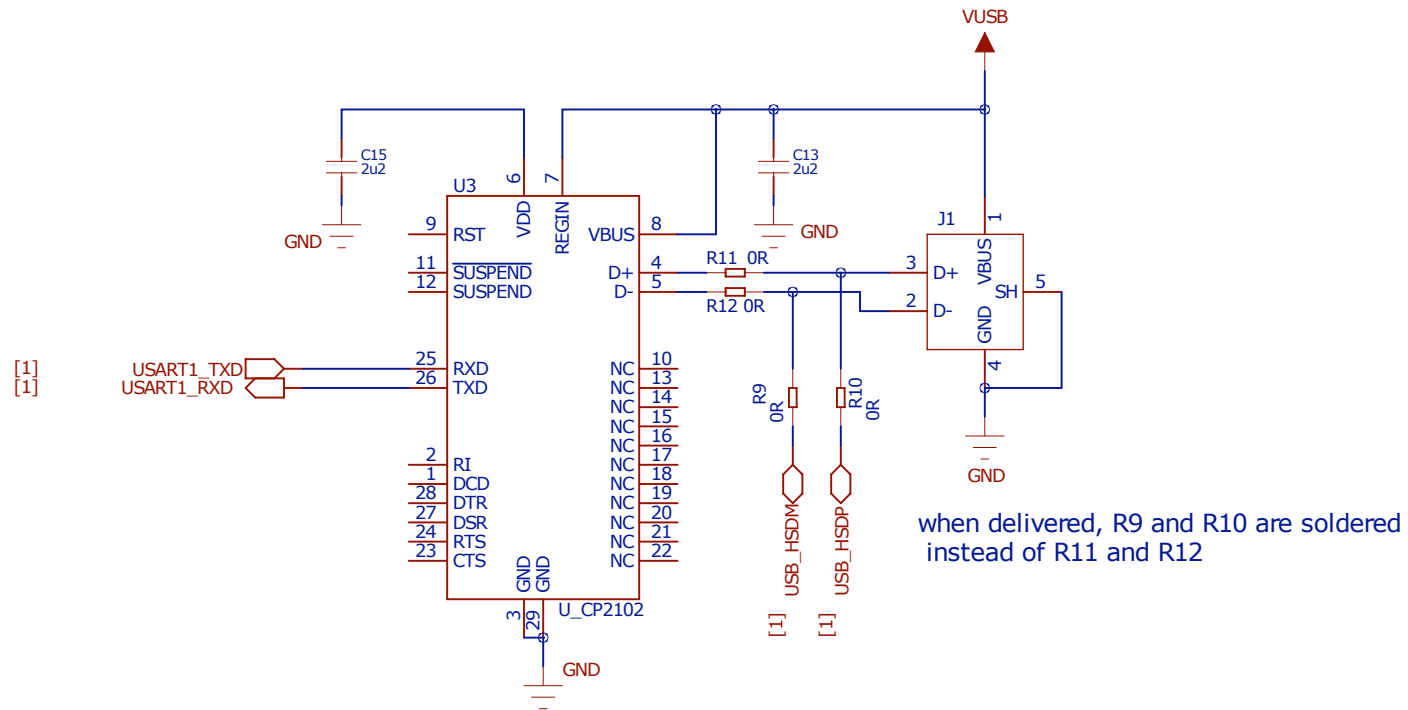
GNU/GPL2 (contact: office@in-circuit.de)
 (C) by In-Circuit GmbH, Germany

 In-Circuit GmbH Königsbrücker Str. 69 D-01099 Dresden		PROJECT TITLE:	
		ICnova AP7000 Base / Grasshopper	
BOARD NO	SHEET TITLE	SIZE:	REV:
615000001A	MEMORY	A3	A
DRAWN:	DATED:	RELEASED:	DATED:
Jörg Träger	11.02.2008	Jörg Träger	11.02.2008
CHECKED:	DATED:	LAST SAVED	SHEET:
Karsten Stork	11.02.2008	11.02.2008	3 OF 7

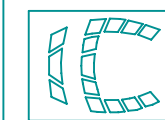


GNU/GPL2 (contact: office@in-circuit.de)
 (C) by In-Circuit GmbH, Germany

		In-Circuit GmbH Königsbrücker Str. 69 D-01099 Dresden	
PROJECT TITLE:			
ICnova AP7000 Base / Grasshopper			
BOARD NO	SHEET TITLE	SIZE:	REV:
615000001A	ETHERNET	A3	A
DRAWN:	DATED:	RELEASED:	DATED:
Jörg Träger	11.02.2008	Jörg Träger	11.02.2008
CHECKED:	DATED:	LAST SAVED	SHEET: 4 OF 7
Karsten Stork	11.02.2008	11.02.2008	



GNU/GPL2 (contact: office@in-circuit.de)
 (C) by In-Circuit GmbH, Germany



In-Circuit GmbH
 Königsbrücker Str. 69
 D-01099 Dresden

PROJECT TITLE: ICnova AP7000 Base / Grasshopper			
BOARD NO 61500001A	SHEET TITLE SERIAL_INTERFACES	SIZE A3	REV: A
DRAWN: Jörg Träger	DATED: 11.02.2008	RELEASED: Jörg Träger	DATED: 11.02.2008
CHECKED: Karsten Stork	DATED: 11.02.2008	LAST SAVED: 11.02.2008	SHEET: 5 OF 7

A

B

C

D

E

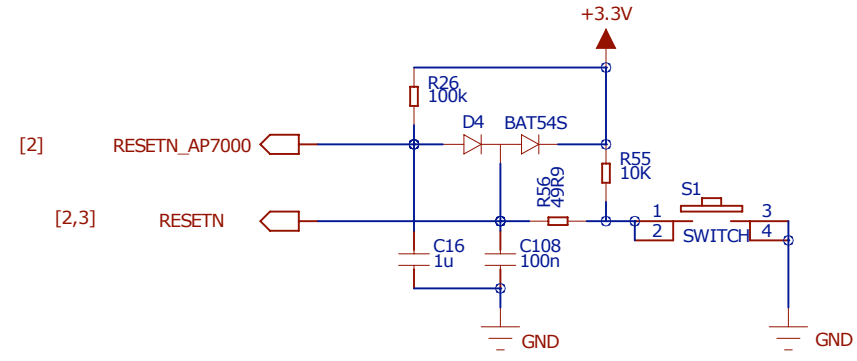
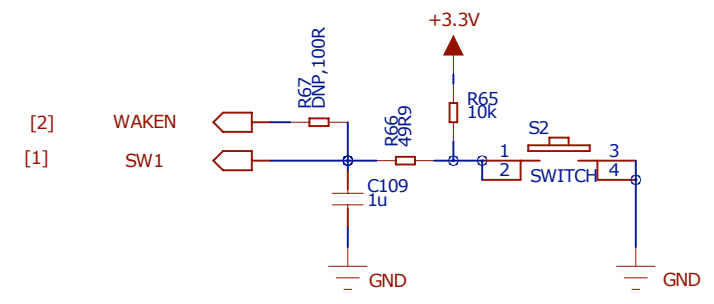
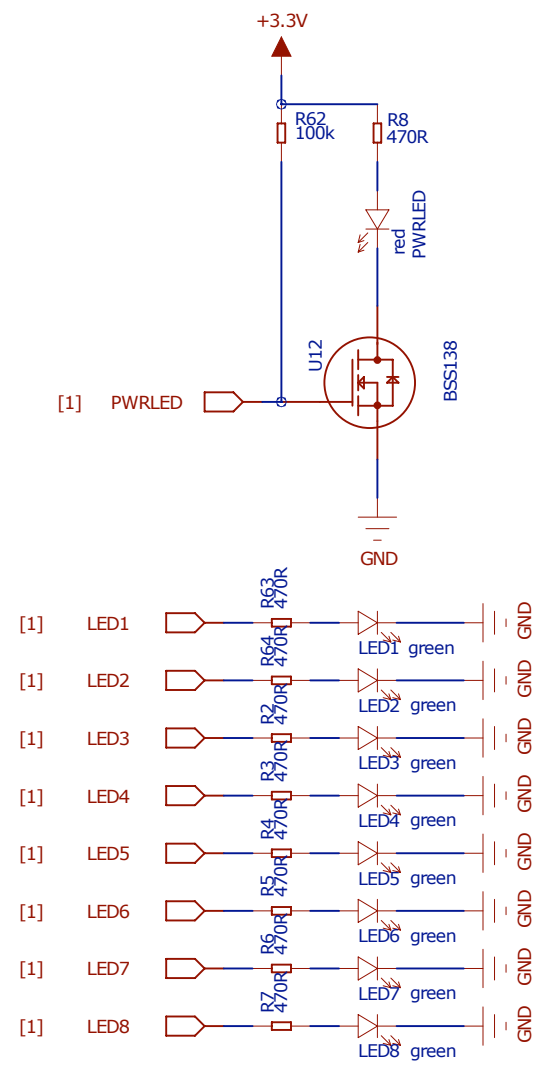
A

B

C

D

E

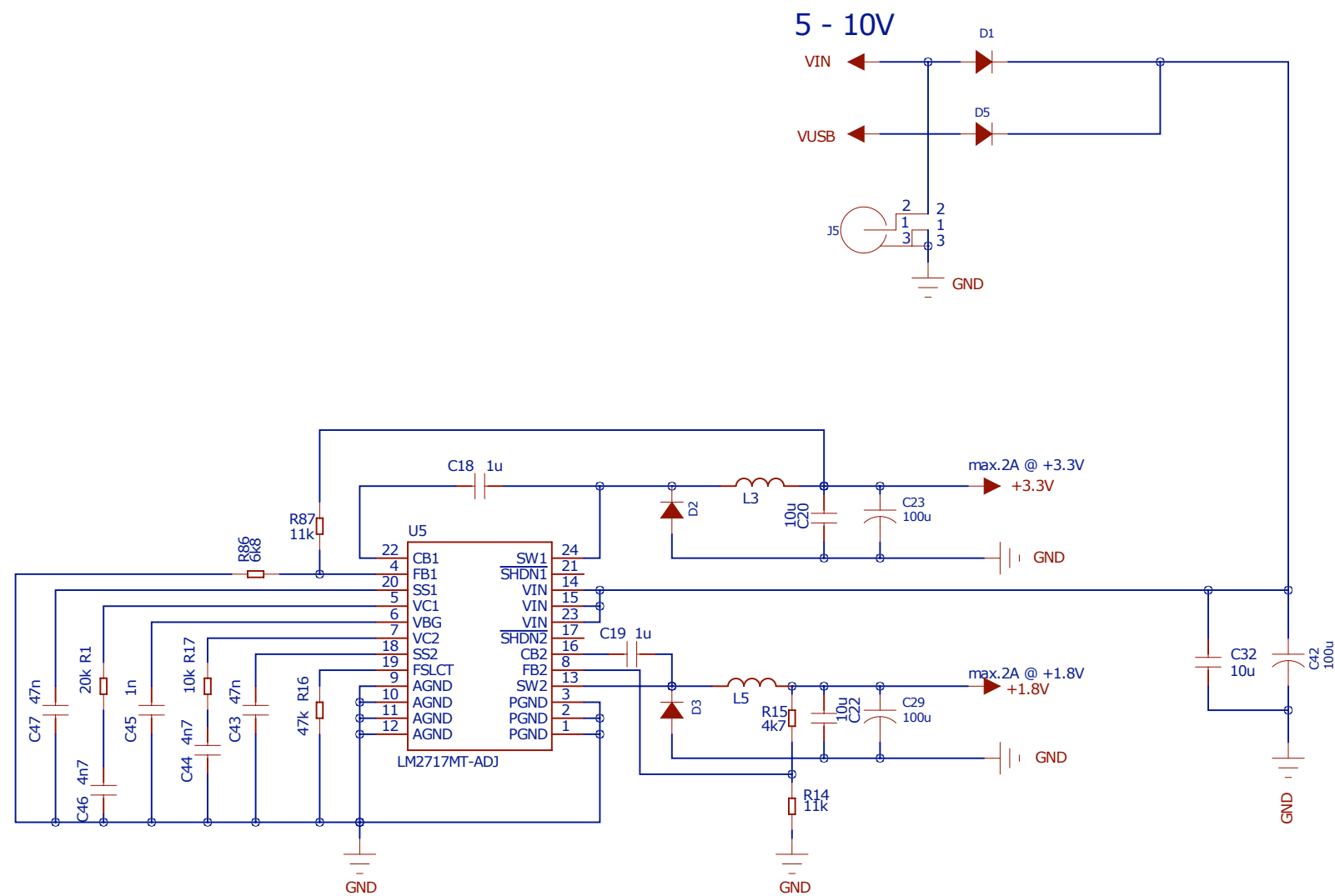


GNU/GPL2 (contact: office@in-circuit.de)
 (C) by In-Circuit GmbH, Germany



In-Circuit GmbH
 Königsbrücker Str. 69
 D-01099 Dresden

PROJECT TITLE: ICnova AP7000 Base / Grasshopper			
BOARD NO 61500001A	SHEET TITLE LEDS+SWITCHES	SIZE: A3	REV: A
DRAWN: Jörg Träger	DATED: 11.02.2008	RELEASED: Jörg Träger	DATED: 11.02.2008
CHECKED: Karsten Stork	DATED: 11.02.2008	LAST SAVED: 11.02.2008	SHEET: 6 OF 7



GNU/GPL2 (contact: office@in-circuit.de)
 (C) by In-Circuit GmbH, Germany



In-Circuit GmbH
 Königsbrücker Str. 69
 D-01099 Dresden

PROJECT TITLE:
 ICnova AP7000 Base / Grasshopper

BOARD NO 615000001A	SHEET TITLE POWER	SIZE: A3	REV: A
DRAWN: Jörg Träger	DATED: 11.02.2008	RELEASED: Jörg Träger	DATED: 11.02.2008
CHECKED: Karsten Stork	DATED: 11.02.2008	LAST SAVED 11.02.2008	SHEET: 7 OF 7