

PCI CONNECTOR (UNIVERSAL)

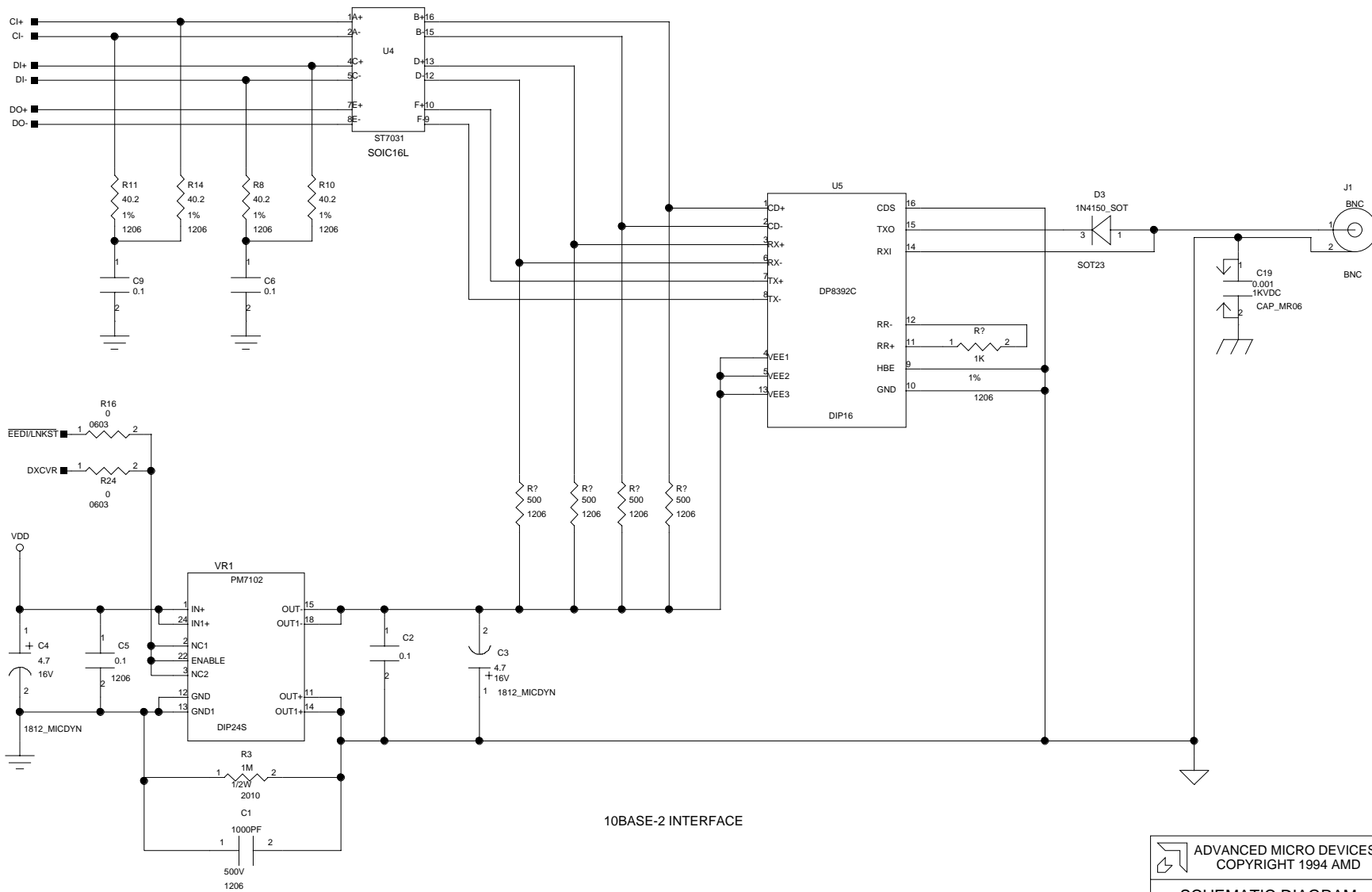
CONFIDENTIAL

THESE ARE VIAS FOR POWER SUPPLY PURPOSES

ADVANCED MICRO DEVICES
COPYRIGHT 1994 AMD

SCHEMATIC DIAGRAM
COMBO LOW COST P2

APPROVED BY:	DATE				
MODULE	LCOSTP2.1	SIZE	DATE	DWG. NO.	REV
		C	9/26/95	CSE003	C2
DRAWN BY	CHERYL STEWART	ENGINEER	RCM	SHEET	1 OF 5



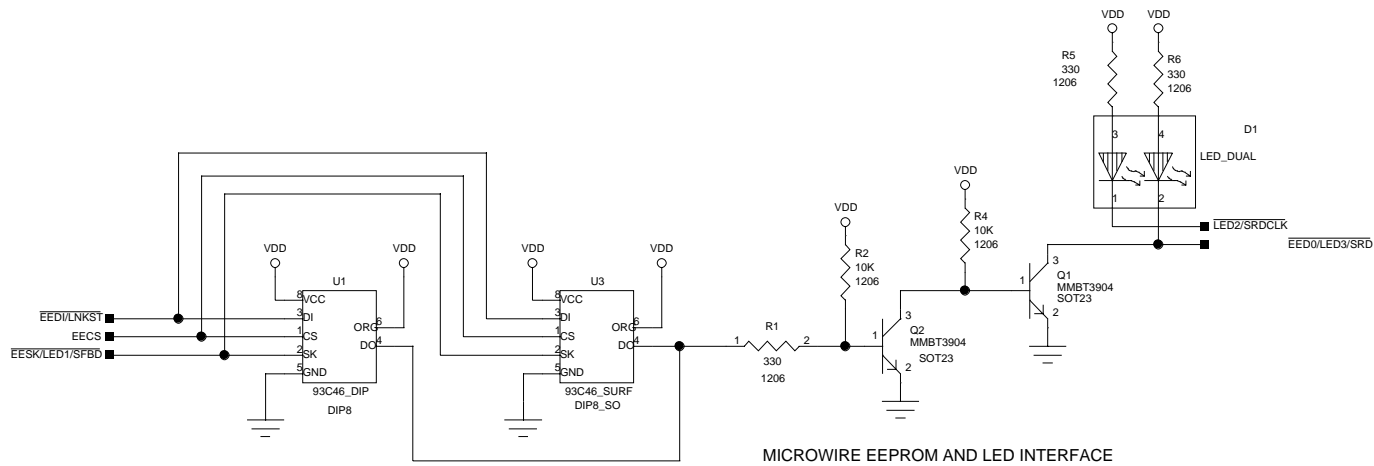
10BASE-2 INTERFACE

CONFIDENTIAL

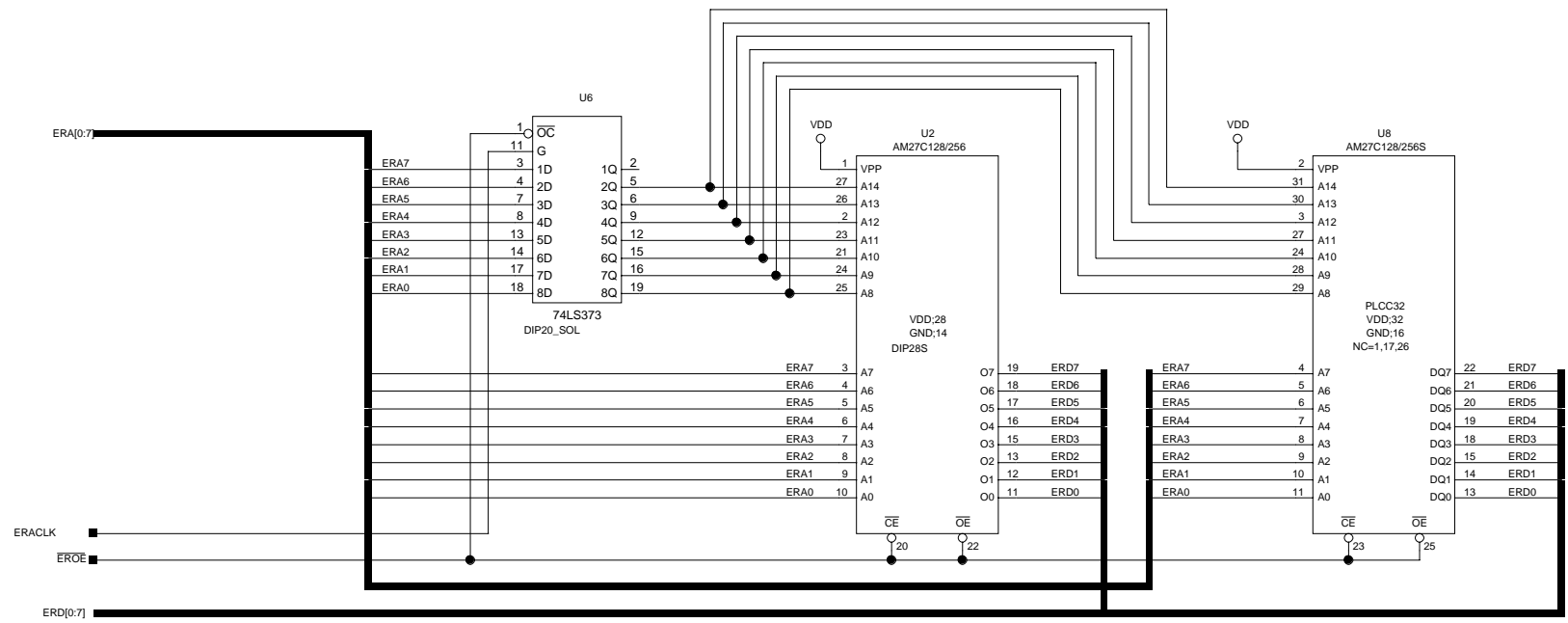
ADVANCED MICRO DEVICES
COPYRIGHT 1994 AMD

SCHEMATIC DIAGRAM
COMBO LOW COST P2

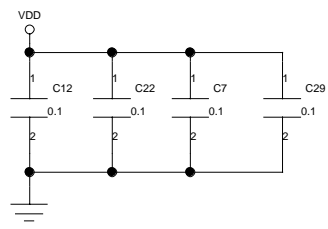
APPROVED BY:	DATE			
MODULE LCOSTP2.3	SIZE C	DATE 9/26/95	DWG. NO. CSE003	REV C2
DRAWN BY CHERYL STEWART	ENGINEER	RCM	SHEET	3 of 5



MICROWIRE EEPROM AND LED INTERFACE



EXPANSION ROM INTERFACE



CONFIDENTIAL

ADVANCED MICRO DEVICES
COPYRIGHT 1994 AMD

SCHEMATIC DIAGRAM
COMBO LOW COST P2

APPROVED BY:	DATE				
MODULE	LCOSTP2.5	SIZE	DATE	DWG. NO.	REV
		C	9/26/95	CSE003	C2
DRAWN BY	CHERYL STEWART	ENGINEER	RCM	SHEET	5 of 5