

SERVICE DOCUMENTATION



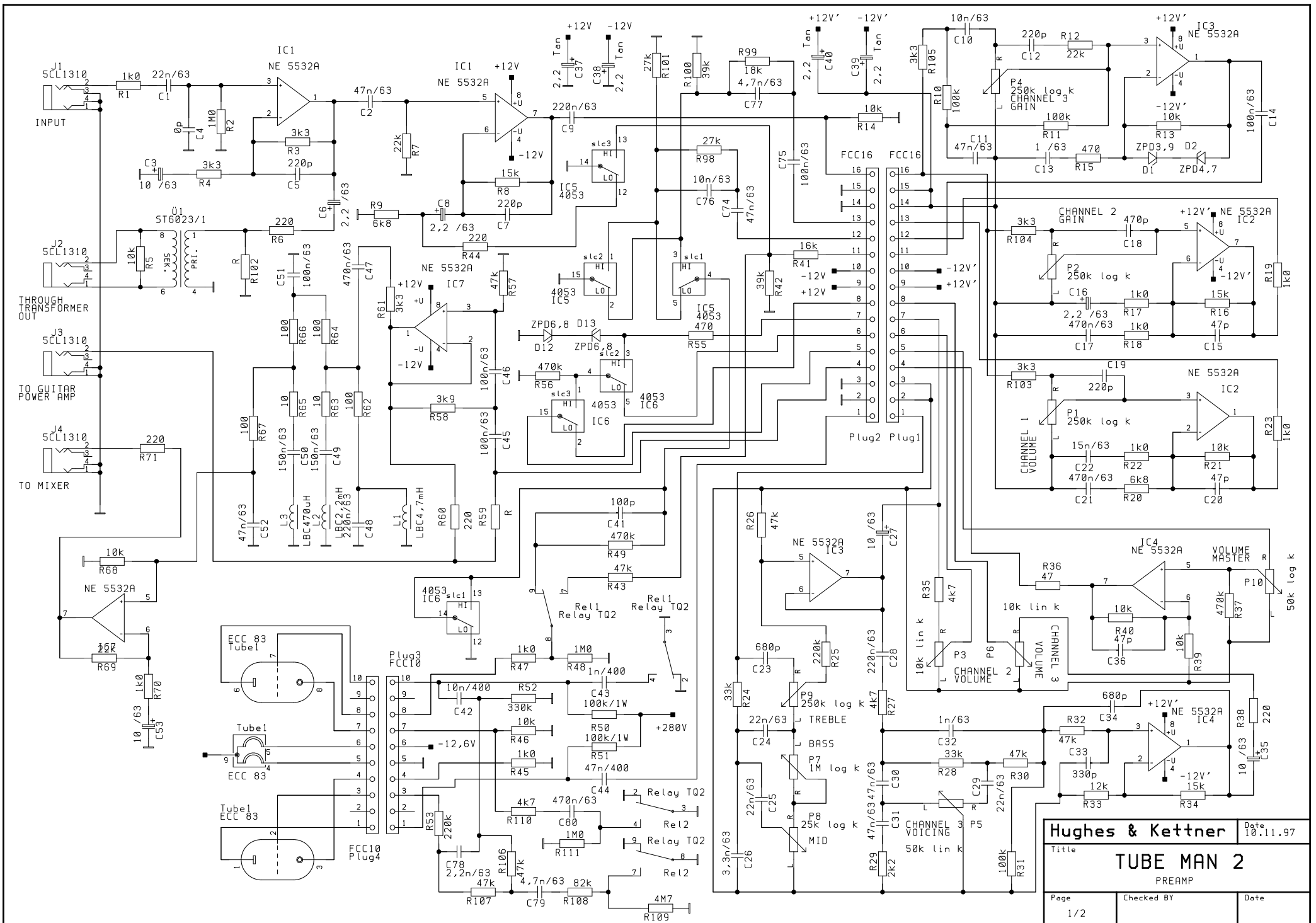
Tubeman II

Inhaltsverzeichnis/ Contents

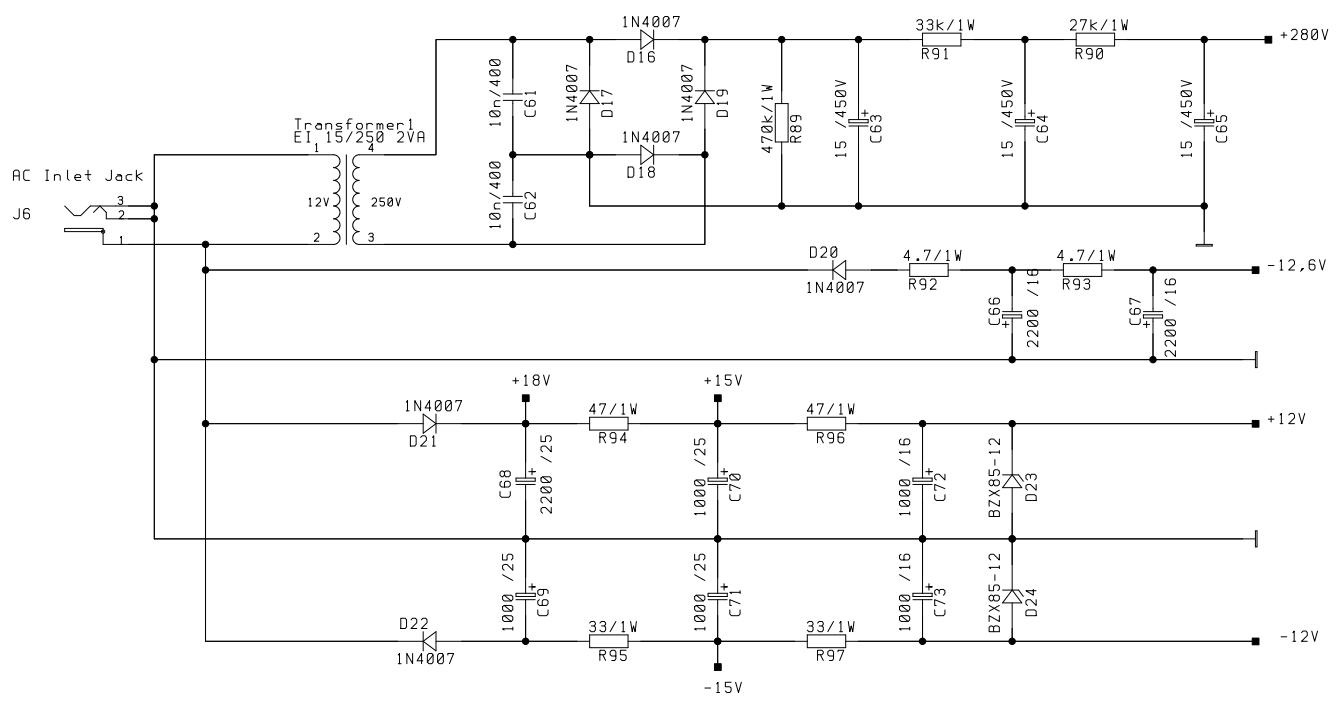
- 1 Schaltpläne/ schematic diagrams**
- 2 Bestückungspläne/ component parts**
- 3 Bestellnummern/ order no.**
- 4 Bestellinformationen/ ordering informations**
- 5 Technische Daten/ technical data**

GD/ 18.11. 99

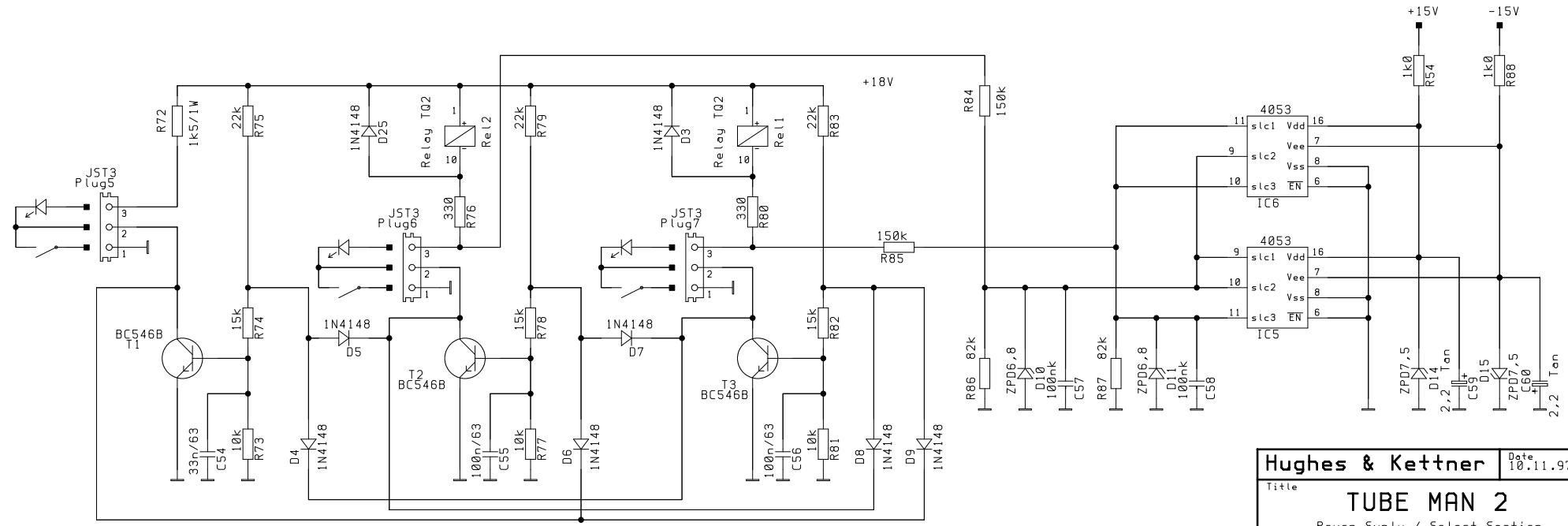
1 Schaltpläne/ schematics



Hughes & Kettner		Date 10.11.97
TUBE MAN 2		
PREAMP		
Page 1/2	Checked BY	Date



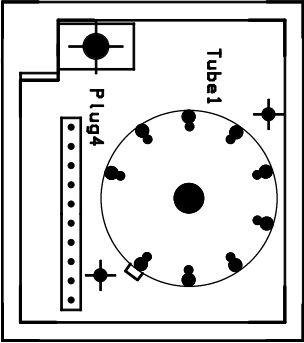
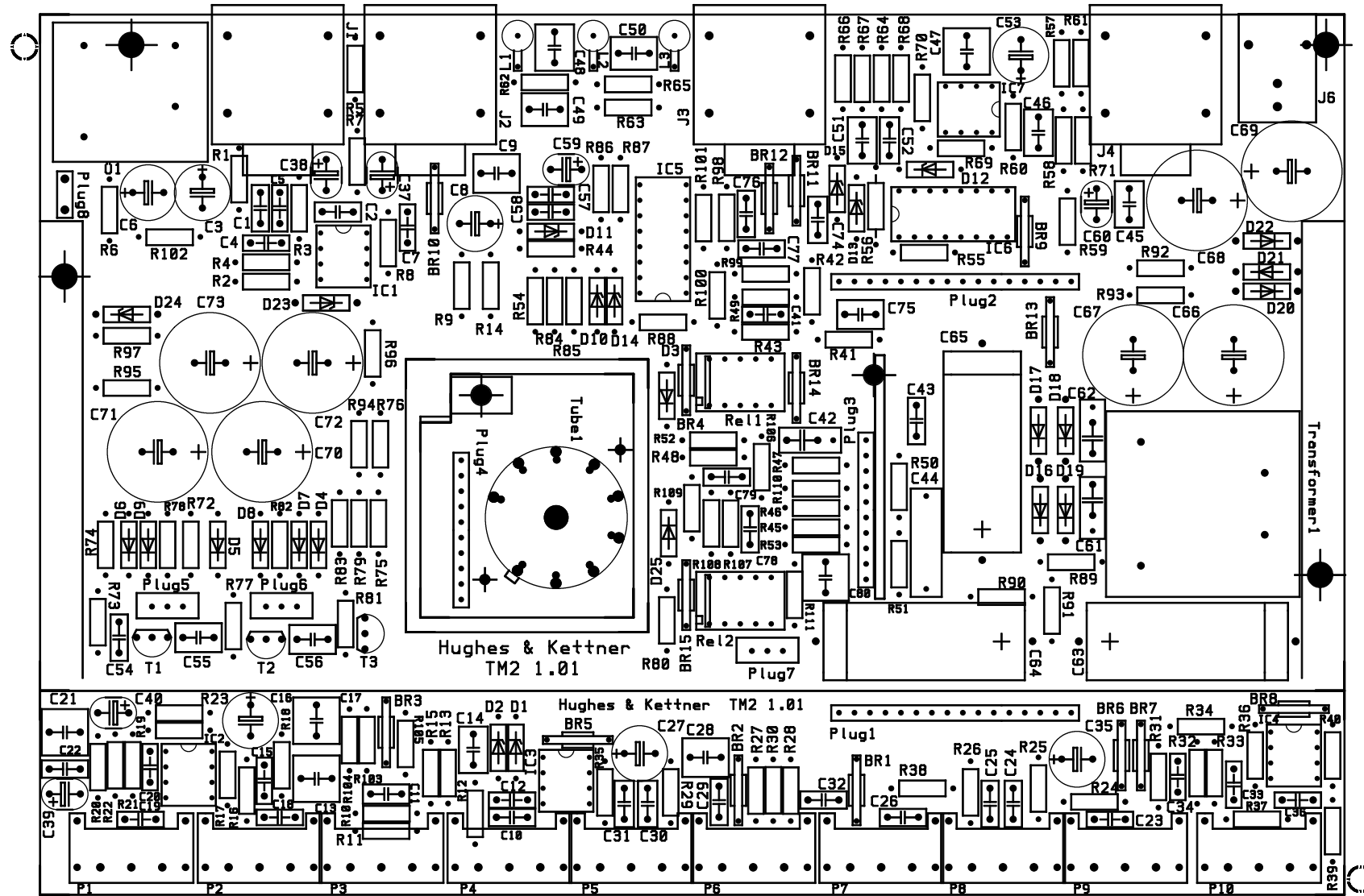
Plug8
Fast.S 6,3



Hughes & Kettner		Date 10.11.97
Title TUBE MAN 2 Power Supply / Select Section		
Page 2/2	Checked BY	Date

GD/ 18.11. 99

2 Bestückungspläne/ component parts



Hughes & Kettner
TM2 1.01

Hughes & Kettner TM2 1.01

3 Bestellnummern/ order no. Tubeman II

no.	schematic position	name	specs	part no.
1	AC power pack	UK	240V	E 958 093
2	AC power pack	Europe	230V	E 958 090
3	AC power pack	USA/ CAN	117V	E 958 091
4	AC power pack	Japan	100V	E 958 092
5	transformer 1	transformer	EI 15V/ 250V/ 2VA	E 958 049
6	P1 (CH1 vol)	pot	250 K Ω log, mono	E 914 044
7	P2 (CH2 gain)	pot	250 K Ω log, mono	E 914 044
8	P3 (CH2 vol)	pot	10 K Ω lin, mono	E 914 033
9	P4 (CH3 gain)	pot	250 K Ω log, mono	E 914 044
10	P5 (CH3 voicing)	pot	50 K Ω lin, mono	E 914 035
11	P6 (CH3 vol)	pot	10 K Ω lin, mono	E 914 033
12	P7 (bass)	pot	1 M Ω log, mono	E 914 047
13	P8 (mid)	pot	25 K Ω log, mono	E 914 048
15	P9 (treble)	pot	250 K Ω log, mono	E 914 044
16	P10 (master vol)	pot	50 K Ω log, mono	E 914 034
17	D16- D19, D20- D22	rectifier	1N4007	E 934 023
18	T1	transistor	BC546B	E 938 009
19	T2	transistor	BC546B	E 938 009
20	T3	transistor	BC546B	E 938 009
21	IC 1	OP Amp	NE5532A	E 940 004
22	IC 2	OP Amp	NE5532A	E 940 004
23	IC 3	OP Amp	NE5532A	E 940 004
24	IC 4	OP Amp	NE5532A	E 940 004
25	IC 5	Multiplexer	HCF 4053	E 940 002
26	IC 6	Multiplexer	HCF 4053	E 940 002
24	IC 7	OP Amp	NE5532A	E 940 004
25	C63- C65	hv cap	15u/ 450V ax	E 926 006
26	Rel1- Rel2	relay	TQ2/ 12Vdc	E 946 009
27	tube 1	tube	ECC83/ 12AX7A	E 944 007
28	tube socket	socket	9pin/ pcb mount	E 944 003
29	J1- J4 (input/ output)	jack	1/4" phone jack mono	E 952 038
30	J6 (ac)	jack	ac inlet	E 952 016
31	enclosure profile	alu profile	210 mm	E 970 290
32	enclosure front	front panel	steel sheet	E 970 291
33	enclosure sides	side profile	left + right plastic profile	E 970 255
34	enclosure pane	acrylglass	print: Hughes & Kettner	E 970 254
35	screws pane	M3 x 8	hexagon, vz	E 974 221
36	screws side profile	4 x 40	black	E 974 314
37	bottom foot	rubber foot	155 x 211 mm	E 972 029
38	Ch1 switch	switch	tristage	E 950 010
39	CH2 switch	switch	tristage	E 950 010
40	CH3 switch	switch	tristage	E 950 010
41	pot knob	pot knob	K15 black	E 966 044

4 Bestellinformationen/ ordering informations

Bestellinformationen und Ersatzteilbestellungen

Deutschland:

Music & Sales

Leipziger Straße 3

D- 66606 St. Wendel

Service

Tel.: 06851/ 905 333

Fax: 06851/ 905 100

E-mail: service@musicandsales.com

Technische Fragen

Tel.:06851/ 905 330

E-mail: service@musicandsales.com

Sparepart orders and technical questions for all other countries:

contact your local distributor or

Hughes & Kettner

Leipzigerstr. 3

66606 St. Wendel

Germany

Tel.: +49 6851/905 210

Fax: +49 6851/905 200

Email: intlservice_handk@musicandsales.com

5 Technische Daten/ technical data

Tubeman II

Eingänge/ inputs:

Input:	Buchse/ connection:	¼" phone jack
	Bauart Eingang/ input type:	unbalanced
	Eingangsimpedanz/ input impedance:	1 MΩ
	min.Empfindlichkeit/ min.sensitivity:	- 40 dB
	max. Eingangspegel/ max.input level:	+17 dB

Ausgänge/ outputs:

Line Out (power amp):	Buchse/ connection:	¼" phone jack
	Bauart Ausgang/ output type:	unbalanced
	Ausgangsimpedanz/ output impedance:	220 Ω
	max. Ausgangspegel/ max.output level:	+12 dB

Line Out (mixer):	Buchse/ connection:	¼" phone jack
	Bauart Ausgang/ output type:	unbalanced
	Ausgangsimpedanz/ output impedance:	220 Ω
	max. Ausgangspegel/ max.output level:	+6 dB

Allgemeine elektrische Daten/ general electrical data:

Schutzklasse II/ protection class 2 (protectively isolated)	
verschiedene Netzteilversionen/ different AC power packs:	230V/ 117V/ 100V
max. Stromaufnahme/ max. current:	540 mA @ 13,4Vac
max. Leistungsaufnahme/ max. power consumption:	7,1 VA
Netzspannungsbereich/ mains voltage range:	+/- 10 %
Umgebungstemperaturbereich/ temperatur range:	- 10 °C bis + 60 ° C

Allgemeine mechanische Daten/ general mechanical data:

Abmessungen/ sizes:	Breite/ width: 220 mm	Höhe/ height: 80 mm	Tiefe/ depth: 215 mm
Gewicht/ weight:	1,7 kg ohne Netzteil/ without AC power pack		
	2,05 kg mit Netzteil/ with AC power pack		