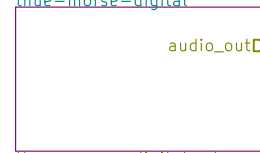


thue-morse-power-supply



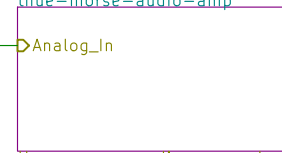
thue-morse-power-supply.sch

thue-morse-digital



thue-morse-digital.sch

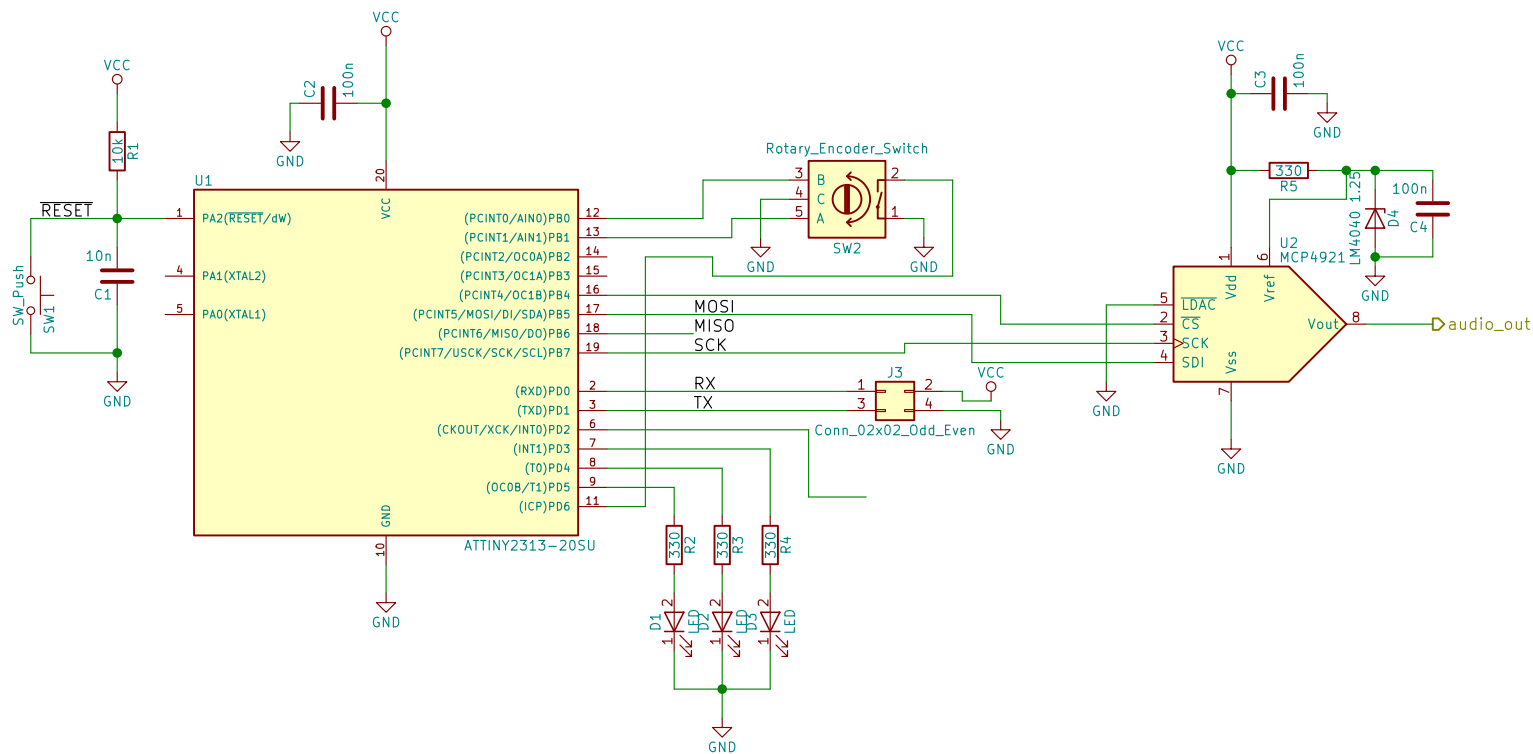
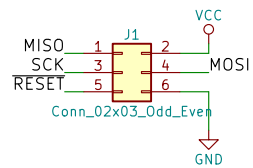
thue-morse-audio-amp



thue-morse-audio-amp.sch

audio_outD Analog_In

Sheet: /		
File: thue-morse-1.sch		
Title:		
Size: A4	Date:	Rev:
KiCad E.D.A. kicad 4.0.7		Id: 1/4



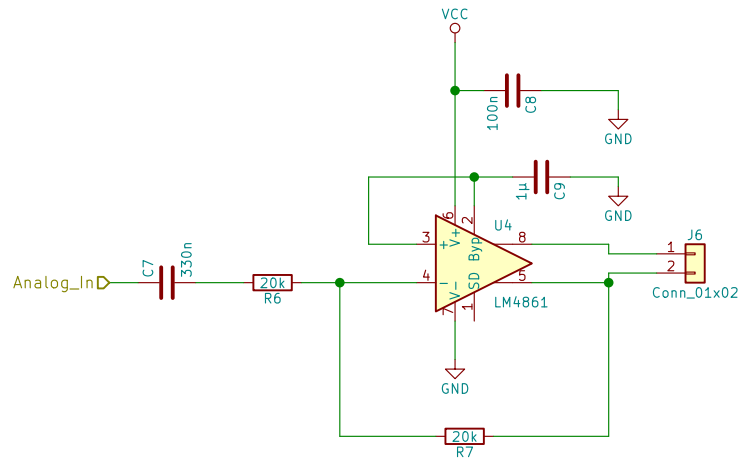
Sheet: /thue-morse-digital/
File: thue-morse-digital.sch

Title:

Size: A4
KiCad E.D.A. kicad 4.0.7

Date:

Rev:
Id: 2/4



Sheet: /thue-morse-audio-amp/
 File: thue-morse-audio-amp.sch

Title:

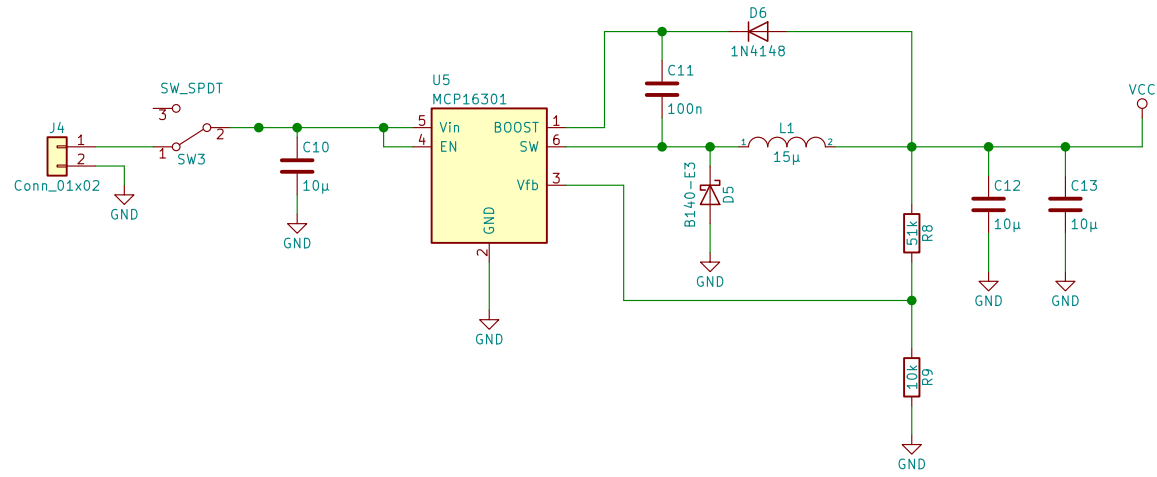
Size: A4

Date:

KiCad E.D.A. kicad 4.0.7

Rev:

Id: 3/4



Sheet: /thue-morse-power-supply/
 File: thue-morse-power-supply.sch

Title:

Size: A4

Date:

KiCad E.D.A. kicad 4.0.7

Rev:

Id: 4/4