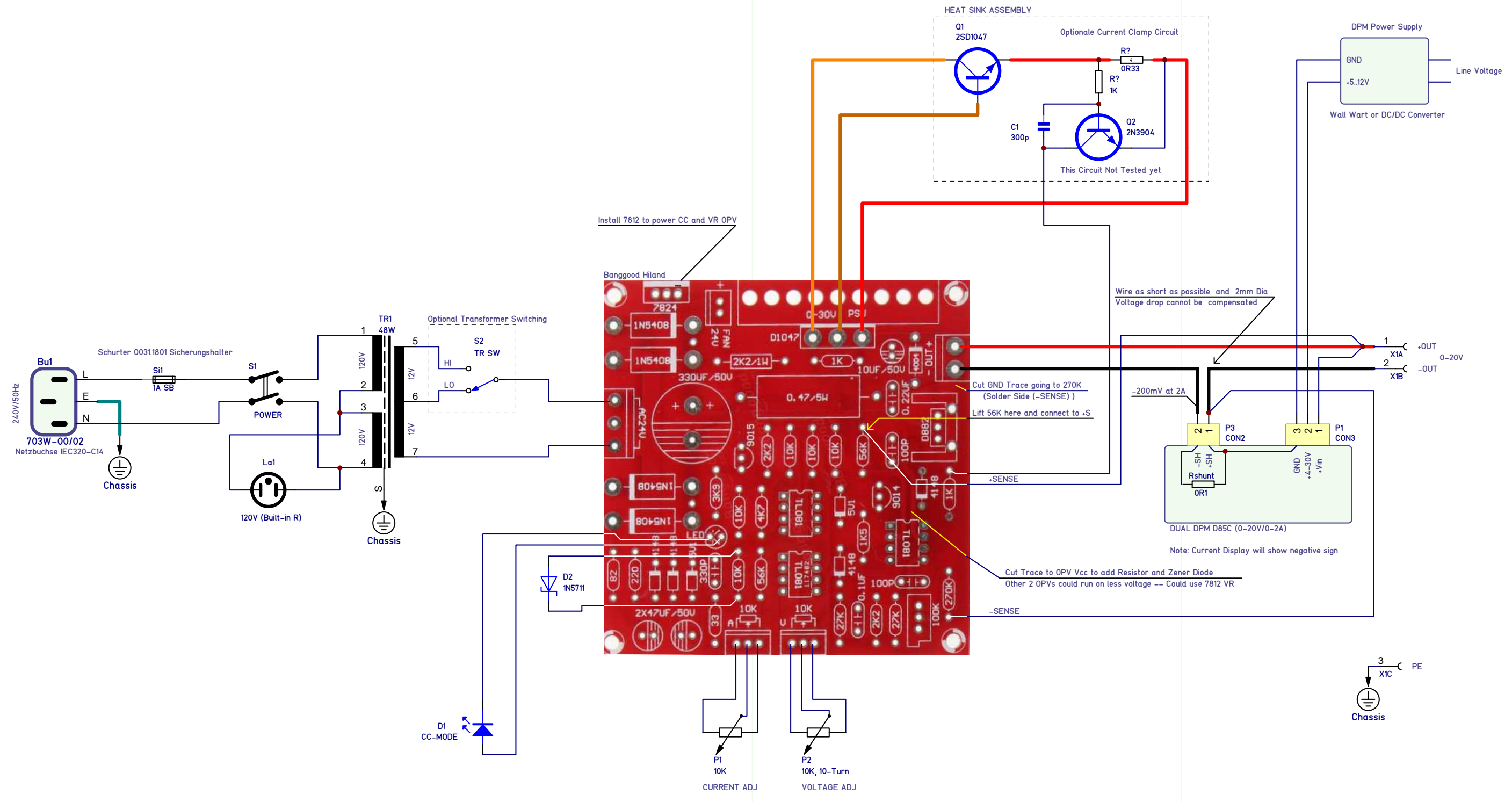


POWER SUPPLY ENCLOSURE



Purchase:
https://www.banggood.com/0-30V-2mA-3A-Adjustable-DC-Regulated-Power-Supply-DIY-Kit-p-958308.html?cur_warehouse=CN
 Schematic:
<http://www.electro-tech-online.com/attachments/0-30v-power-supply-pdf.90950/>

Unless otherwise specified, all values are as follows:
 resistor values are in Ohms, i.e. 0R47, 5R6, 220, 5K6, 22K
 capacitor values are in Microfarads, i.e. 220p, 0u1, 2u2, 33
 inductor values are in Microhenries, i.e. 0u22, 5u6, 68, 2m2

This drawing is our property. Duplication, unauthorized use of any kind is prohibited.
 Without Approval use only for inquiry.

Approval:
 Date: 24-Nov-2017
 Name: GJO

PCB Name: Banggood LNG Board				Title: Lab Power Supply 0-20V, 0-2A			
PCB Nr.: TB-578127				Used in:			
PCB Type:				Scale:			
Change Index:				Change Notification Nr.:			
Date:				Date:			
Name:				Name:			
Drawn:				Drw. Type:			
Modified:				Prj. Nr. 17014			
Checked:				Size: A3 Rev: 1			
Prototype <input type="checkbox"/> Production <input type="checkbox"/> BOM Done? <input type="checkbox"/>				Drw. Nr. 4415-0000			
File: Wiring.sch				Sheet 1 of 1			