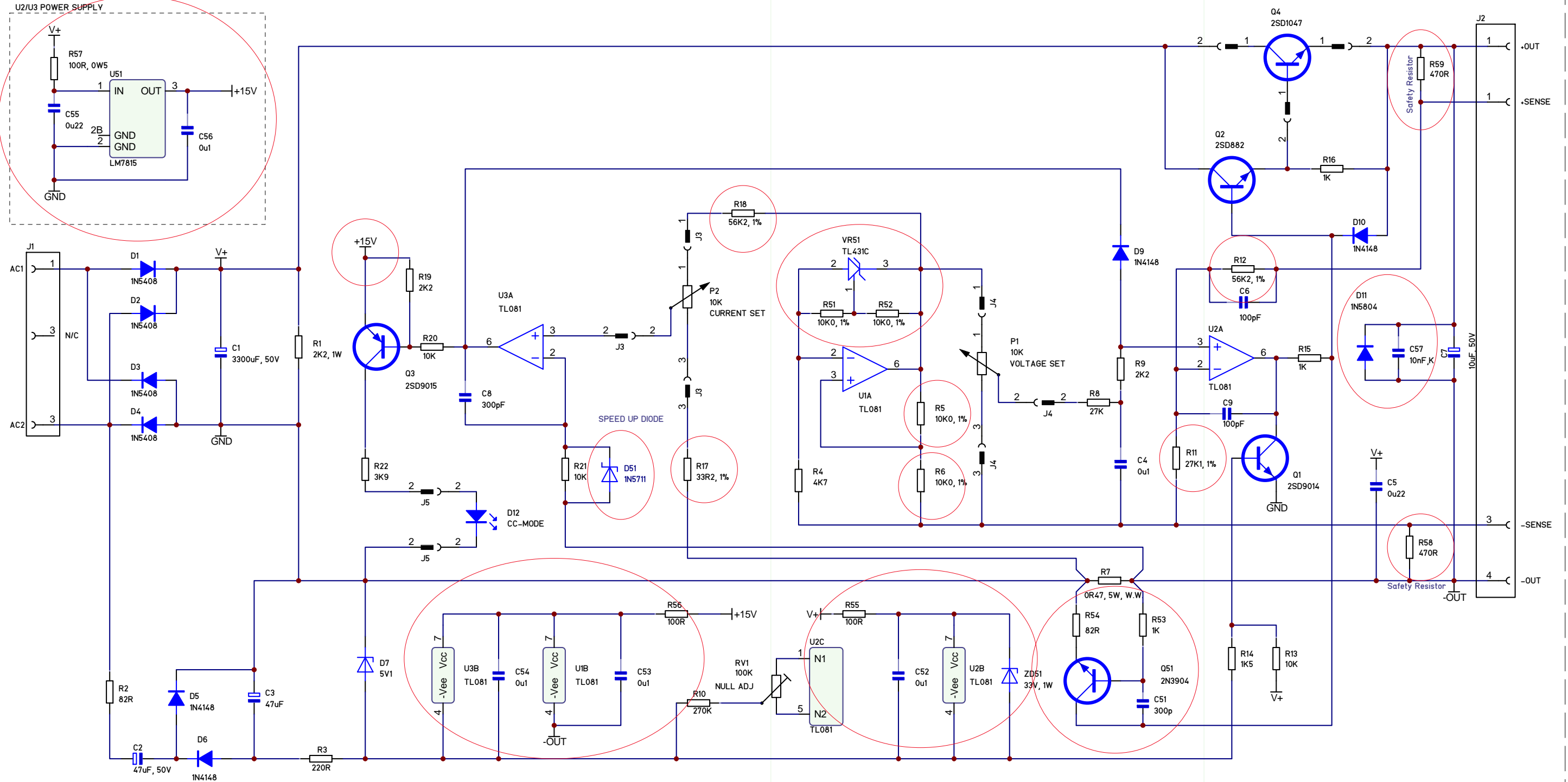
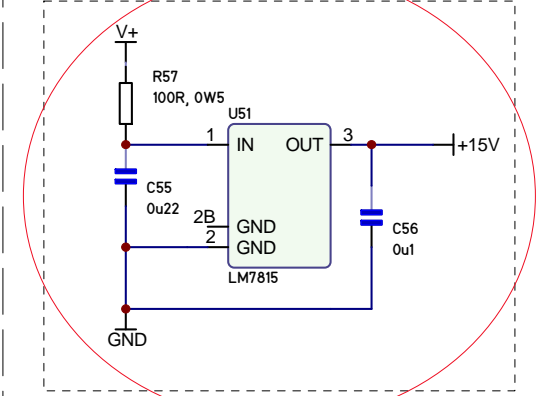


BANGGOOD PCB OUTLINE

U2/U3 POWER SUPPLY



Unless otherwise specified, all values are as follows:
 resistor values are in Ohms, i.e. 0R47, 5R6, 220, 5K6, 22K
 capacitor values are in Microfarads, i.e. 220p, 0u1, 2u2, 33
 inductor values are in Microhenries, i.e. 0u22, 5u6, 68, 2m2

This drawing is our property. Duplication, unauthorized use of any kind is prohibited.

Without Approval use only for inquiry.

Approval:

PCB Name: LNG Control Board		Title: Modified BG/HIL LNG Schematic	
PCB Nr.: 5500-0056		Used in: LNG	
PCB Type: FR4 2L 2SM RED 1LL 1.6mm		Scale: EL	
Change Index	Change Notification Nr.	Date	Name
Drawn	3-Dec-2017	GJO	
Modified			
Checked			
<input checked="" type="checkbox"/> Prototype <input type="checkbox"/> Production <input type="checkbox"/> BOM Done?			

Repl for: N/A	Build No.: 1
Prj Nr.: 17014	Drw. Type: PCB SCHEMATIC
Drw. Nr.: 4415-0057	Size: A3 Rev: 1
File: 4415-0057_LNG_V1.sch	
Sheet 1 of 1	