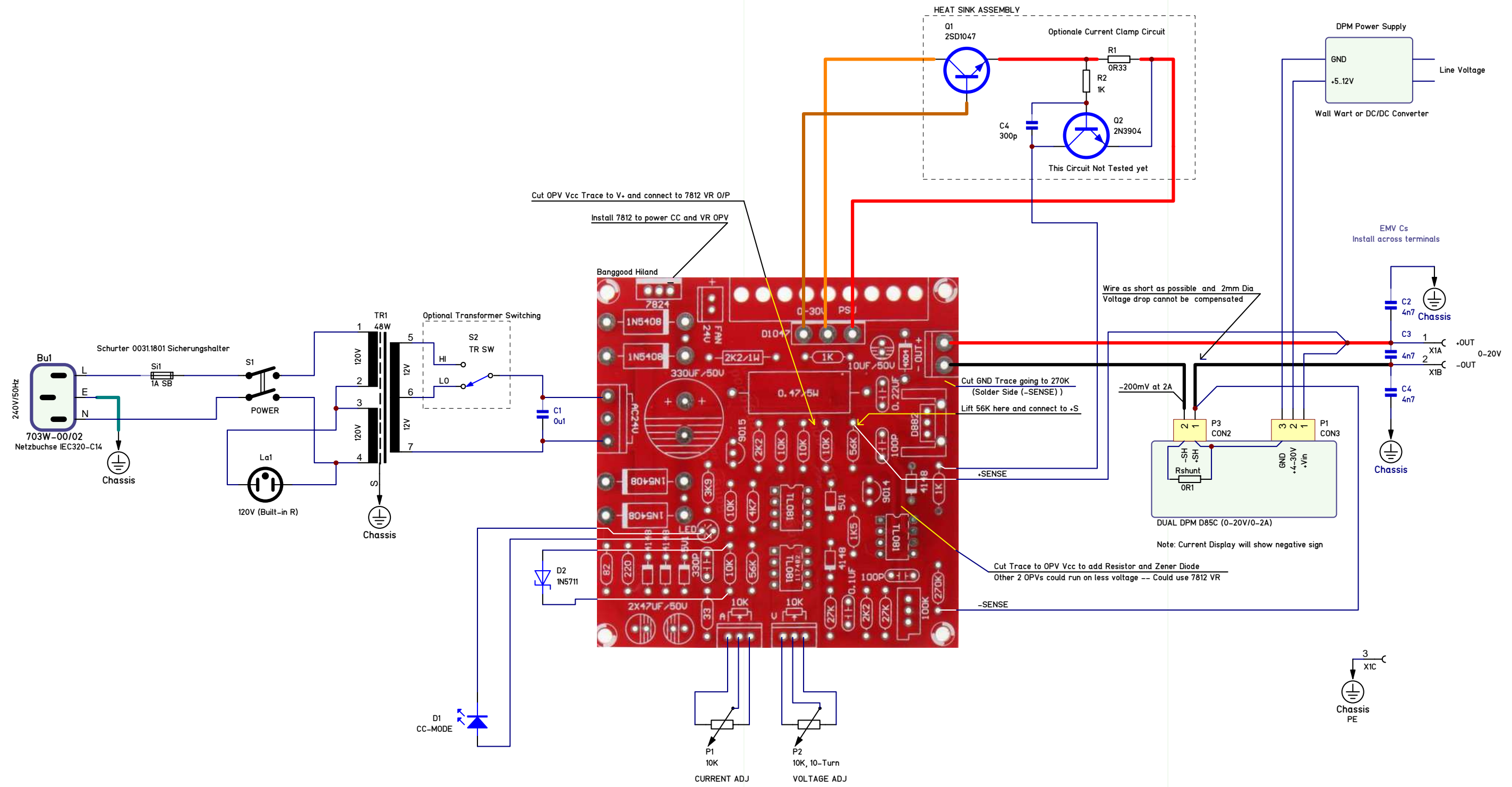


POWER SUPPLY ENCLOSURE



Purchase:
https://www.banggood.com/0-30V-2mA-3A-Adjustable-DC-Regulated-Power-Supply-DIY-Kit-p-958308.html?cur_warehouse=CN
 Schematic:
<http://www.electro-tech-online.com/attachments/0-30v-power-supply-pdf.90950/>

Unless otherwise specified, all values are as follows:
 resistor values are in Ohms, i.e. 0R47, 5R6, 220, 5K6, 22K
 capacitor values are in Microfarads, i.e. 220p, 0u1, 2u2, 33
 inductor values are in Microhenries, i.e. 0u22, 5u6, 68, 2m2

This drawing is our property. Duplication, unauthorized use of any kind is prohibited.
 Without Approval use only for inquiry.

Approval:

Date	Name
3-Dec-2017	GJO

Prototype Production BOM Done?

PCB Name: <i>Banggood LNG Board</i>				Title: LNG 0-20V, 0-2A, Dual DPM			
PCB Nr.: <i>TB-578127</i>				Used in: LNG			
PCB Type: <i>FR4 2L 2SM RED 1LL 1.6mm</i>				Scale: EL			
Change Index				Repl for: N/A			
Change Notification Nr.				Build No.: 1			
Date				Drw. Type: WIRING			
Name				Prj Nr: 17014			
Drawn				Size: A3			
Modified				Rev: 1.2			
Checked				Drw. Nr: 4415-0056			
File: 4415-0056_V1_DPM.sch				Sheet 1 of 1			