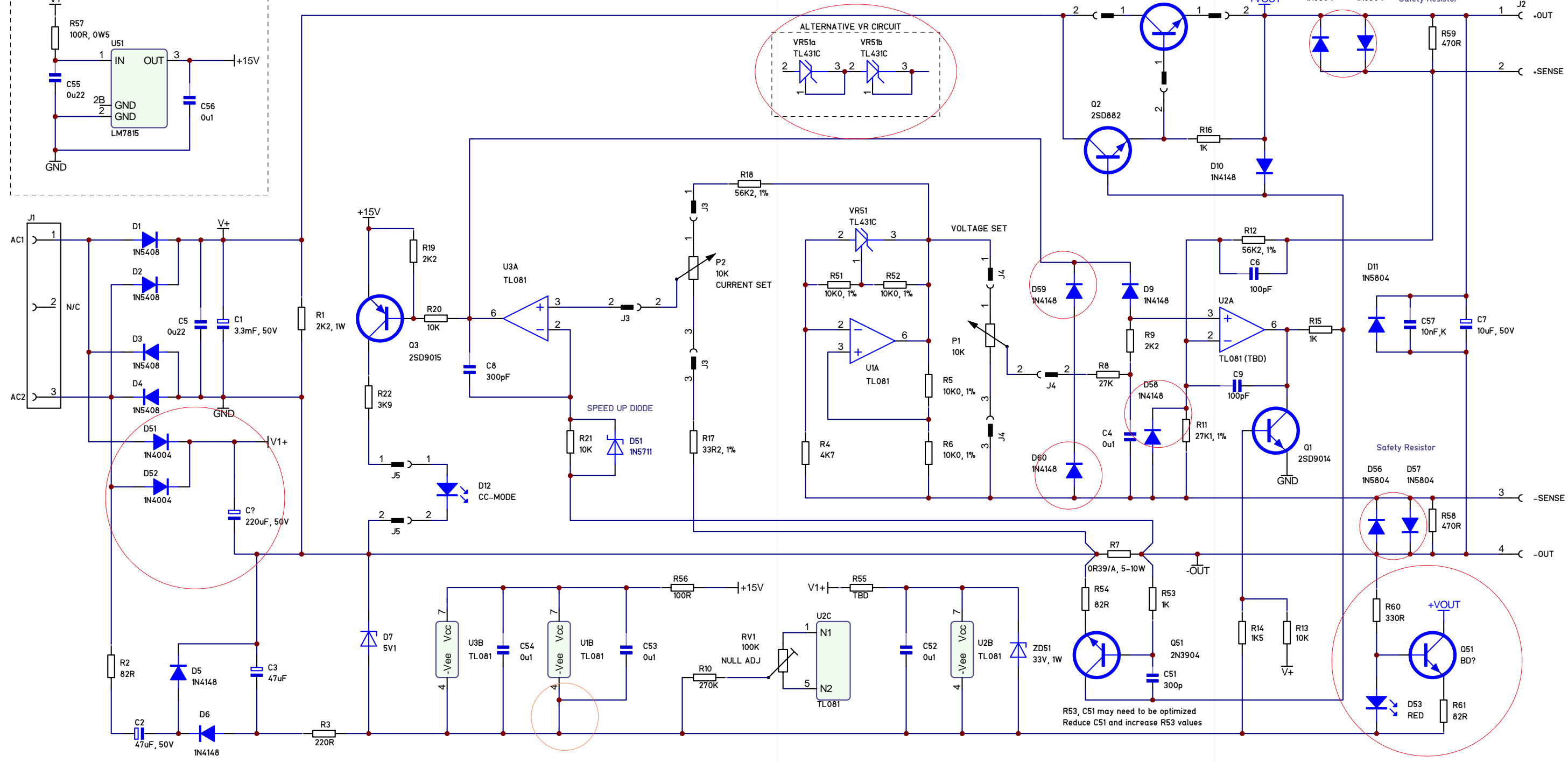
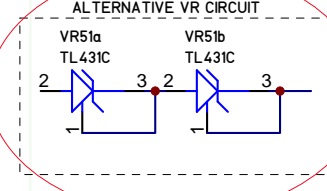
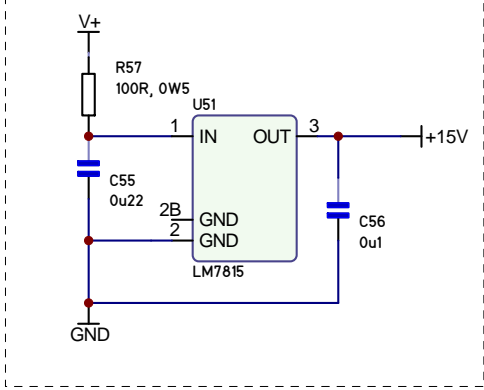


BANGGOOD PCB OUTLINE

U2/U3 POWER SUPPLY



Unless otherwise specified, all values are as follows:
 resistor values are in Ohms, i.e. 0R47, 5R6, 220, 5K6, 22K
 capacitor values are in Microfarads, i.e. 220p, 0u1, 2u2, 33
 inductor values are in Microhenries, i.e. 0u22, 5u6, 68, 2m2

This drawing is our property. Duplication, unauthorized use of any kind is prohibited.
 Without Approval use only for inquiry.

Approval:

	Date	Name
Drawn	5-Dec-2017	GJO
Modified		
Checked		
<input checked="" type="checkbox"/> Prototype	<input type="checkbox"/> Production	<input type="checkbox"/> BOM Done?

PCB Name: *LNG Control Board*
 PCB Nr. *5500-0056*
 PCB Type: *FR4 2L 2SM RED ILL 16mm*

Title **Modified BG/HIL LNG Schematic**

Change Index	Change Notification Nr.	Date	Name

Used in LNG	Repl.for N/A	Build No. 1
Drw. Type: PCB SCHEMATIC	Prj. Nr. 17014	
Size: A3	Rev: 1.1	Drw. Nr. 4415-0057
File: 4415-0057_LNG_V1_1b.sch		