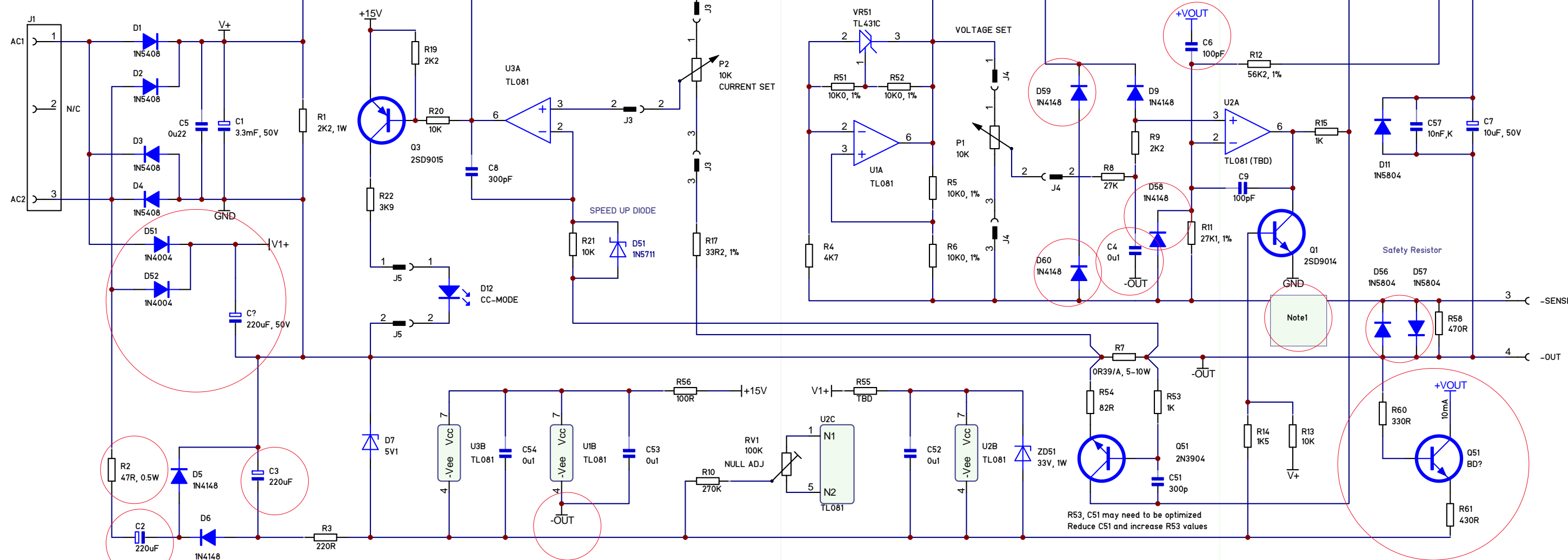
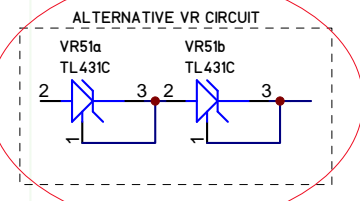
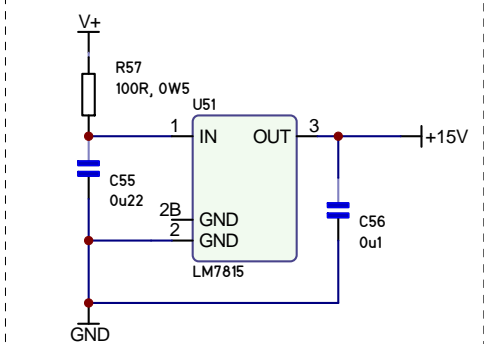


BANGGOOD PCB OUTLINE

U2/U3 POWER SUPPLY



NOTES:  
 1) Fuer externe SENSE Anschlüsse empfiehlt sich hier ein Unity Gain Puffer um den Strom der Schaltung nicht ueber die Sense- Leitung fließen zu lassen. Fuer interne Sense Leitung nicht notwendig.

Unless otherwise specified, all values are as follows:  
 resistor values are in Ohms, i.e. 0R47, 5R6, 220, 5K6, 22K  
 capacitor values are in Microfarads, i.e. 220p, 0u1, 2u2, 33  
 inductor values are in Microhenries, i.e. 0u22, 5u6, 68, 2m2

This drawing is our property. Duplication, unauthorized use of any kind is prohibited.  
 Without Approval use only for inquiry.

PCB Name: <i>LNG Control Board</i>				Title: <i>Modified BG/HIL LNG Schematic</i>			
PCB Nr. <i>5500-0056</i>				Used in LNG			
PCB Type: <i>FR4 2L 2SM RED ILL 1.6mm</i>				Scale: EL		Repl.for N/A	
Change Index		Change Notification Nr.		Date		Name	
Drawn: <i>6-Dec-2017</i>		Name: <i>GJO</i>		Drw. Type: PCB SCHEMATIC		Prj. Nr. <i>17014</i>	
Modified				Size: <i>A3</i>		Rev: <i>1.2</i>	
Checked				Drw. Nr. <i>4415-0057</i>		Build No. <i>1</i>	
<input checked="" type="checkbox"/> Prototype <input type="checkbox"/> Production <input type="checkbox"/> No BOM Done?				File: <i>4415-0057_LNG_V1.2b.sch</i>			