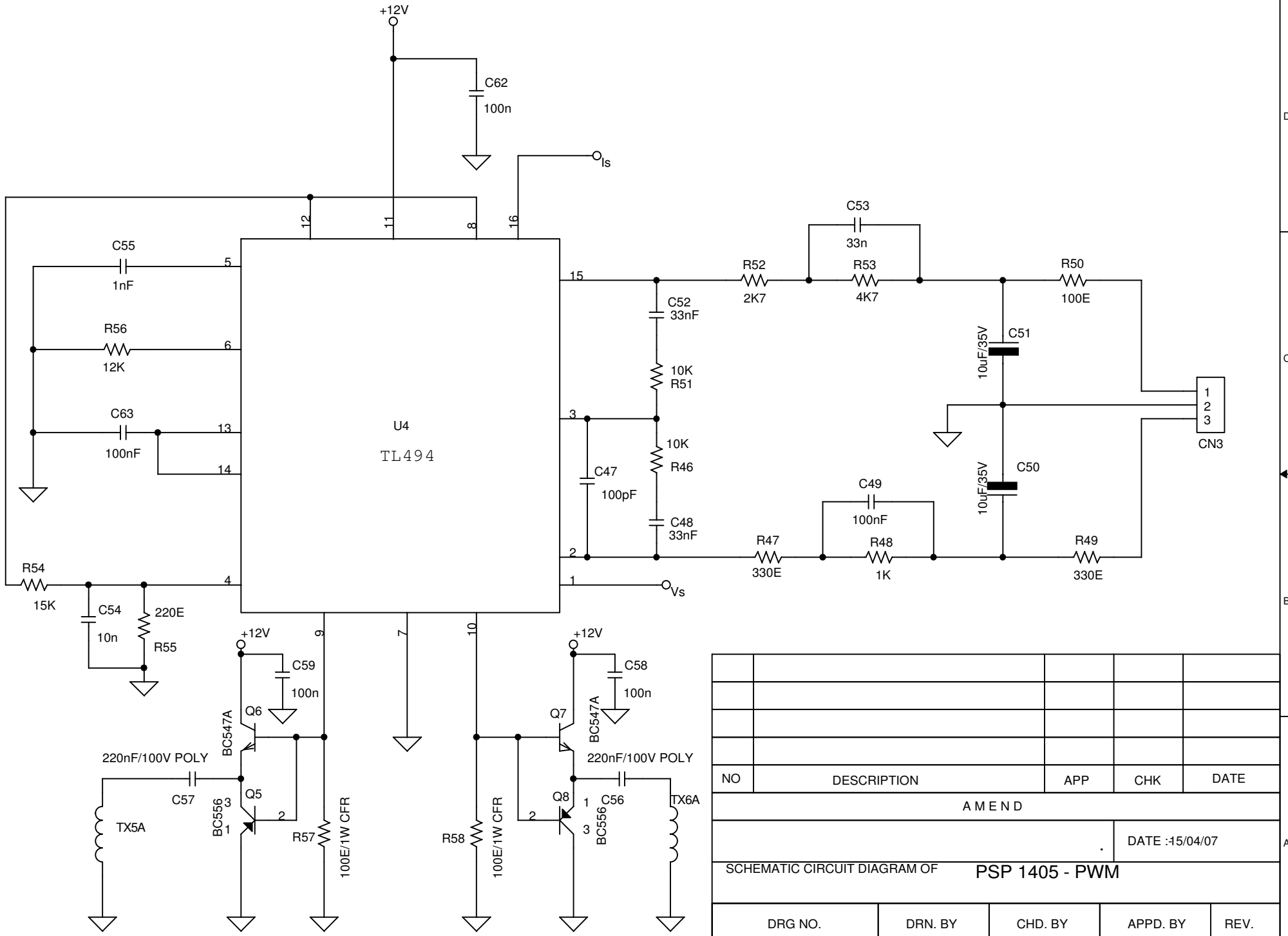
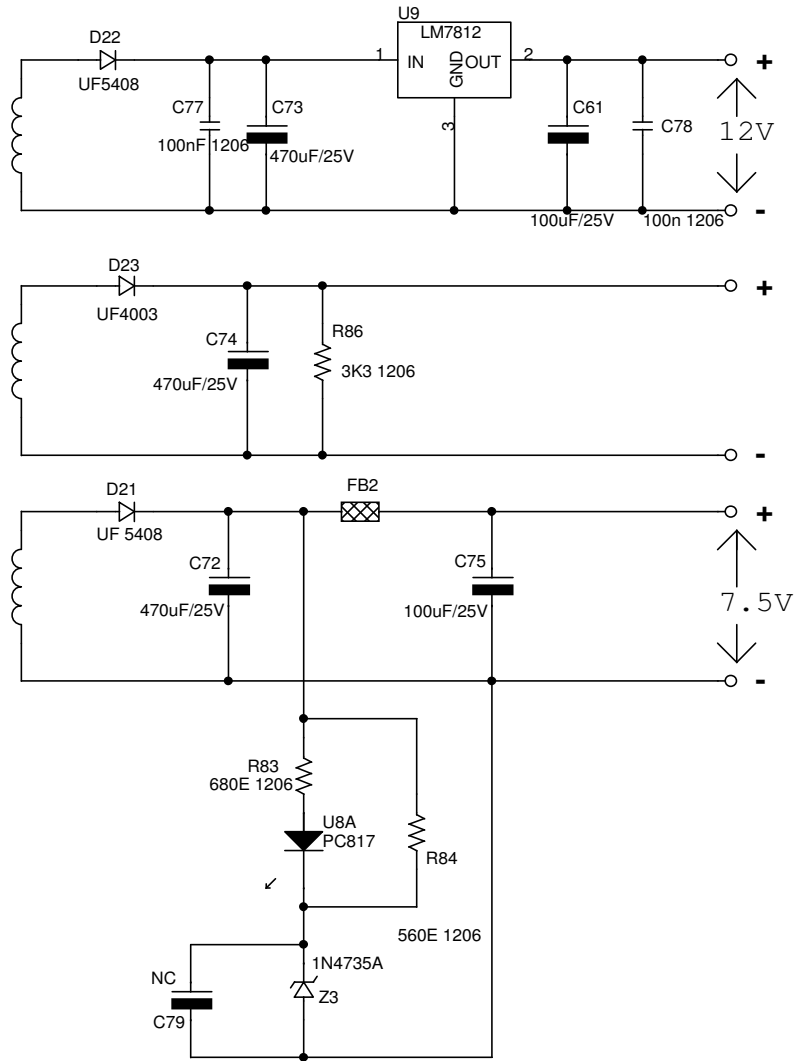
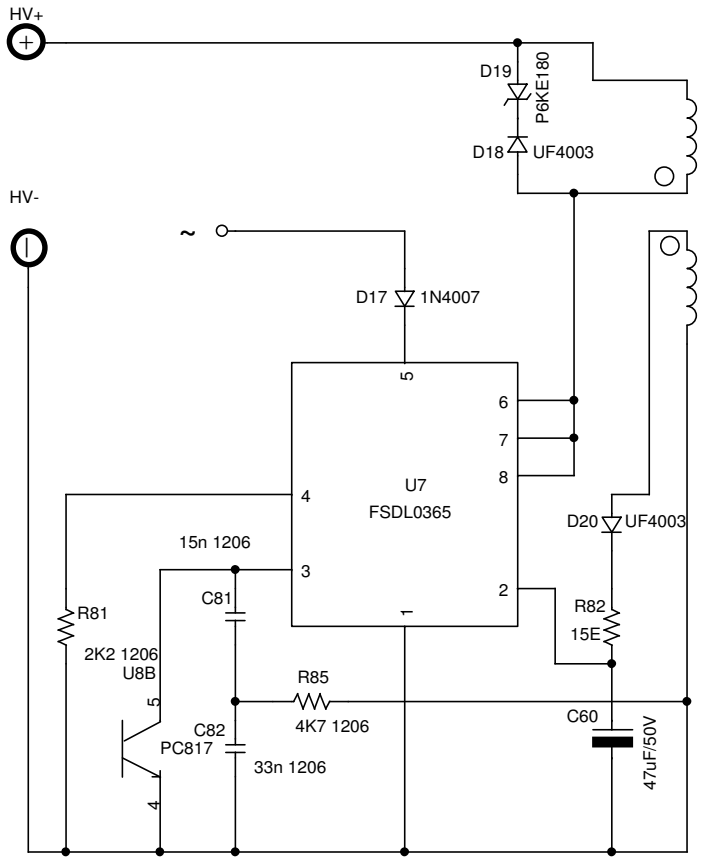


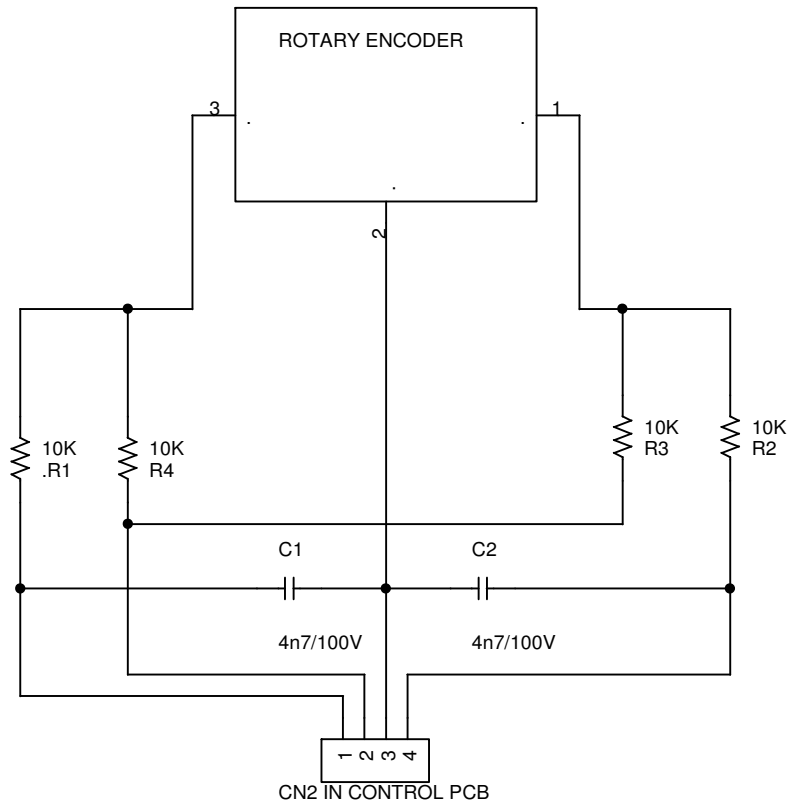
NO	DESCRIPTION	APP	CHK	DATE
A M E N D				
				DATE :- 22/09/2K7
SCHEMATIC CIRCUIT DIAGRAM OF PSP_CONTROL_micro				
DRG NO. SIL/16/0468	DRN. BY SHREEHARSHA.K	CHD. BY GAURAV	APPD. BY S.R. Shinde	REV. 00



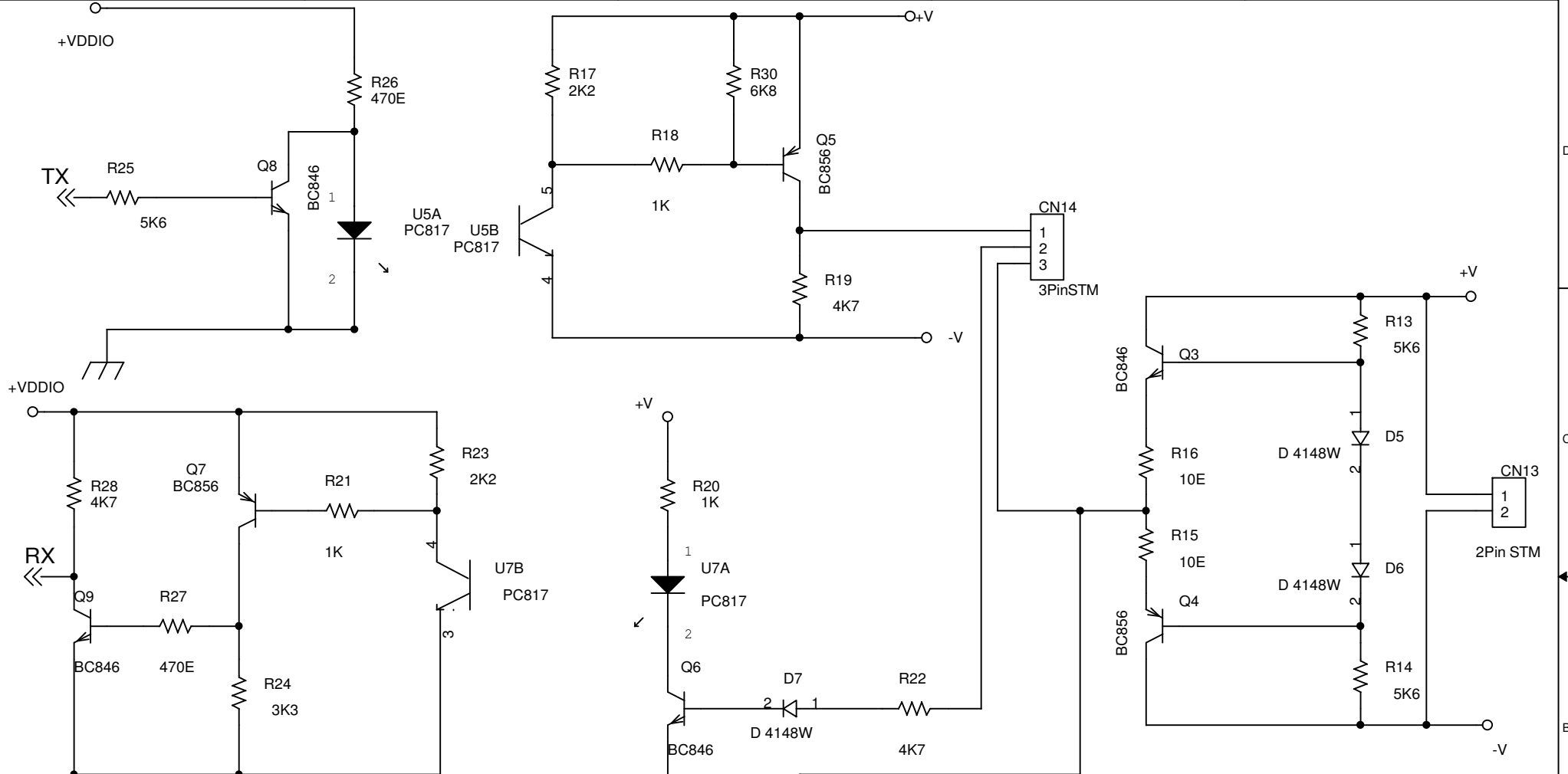
NO	DESCRIPTION	APP	CHK	DATE
A M E N D				
			DATE :15/04/07	
SCHEMATIC CIRCUIT DIAGRAM OF PSP 1405 - PWM				
DRG NO. SIL/16/0458	DRN. BY PRASAD	CHD. BY GAURAV	APPD. BY S.R. Shinde	REV. 00



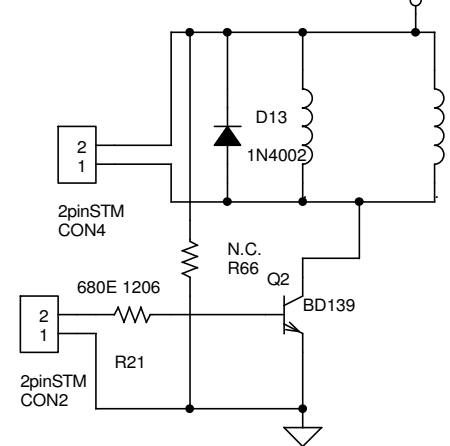
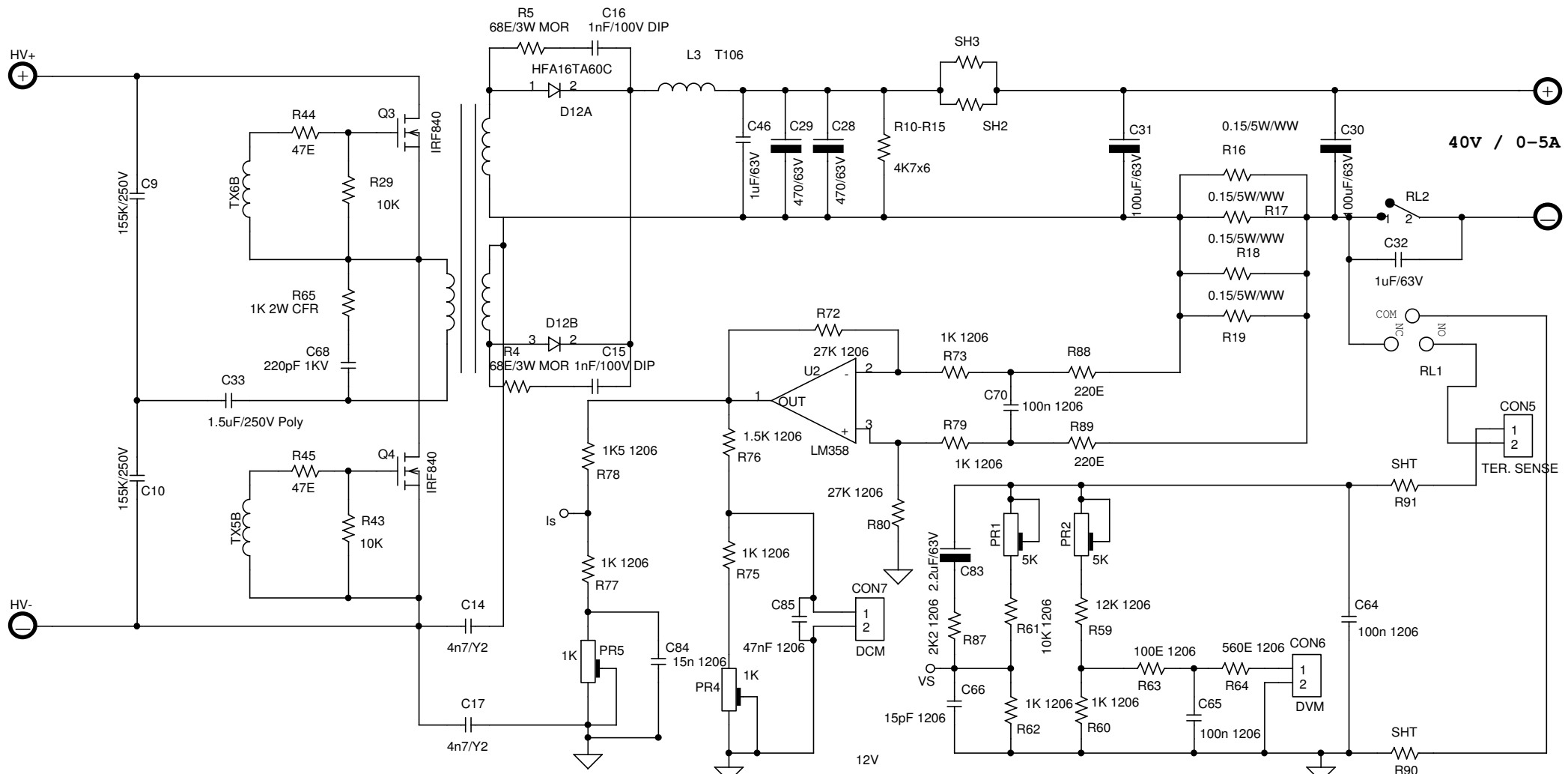
NO	DESCRIPTION	APP	CHK	DATE
A M E N D				
				DATE :- 30/05/07
SCHEMATIC CIRCUIT DIAGRAM OF PSP AUXILIARY OUTPUT				
DRG NO. SIL / 16 / 0456	DRN. BY PRASAD	CHD. BY GAURAV	APPD. BY S.R. Shinde	REV. 00



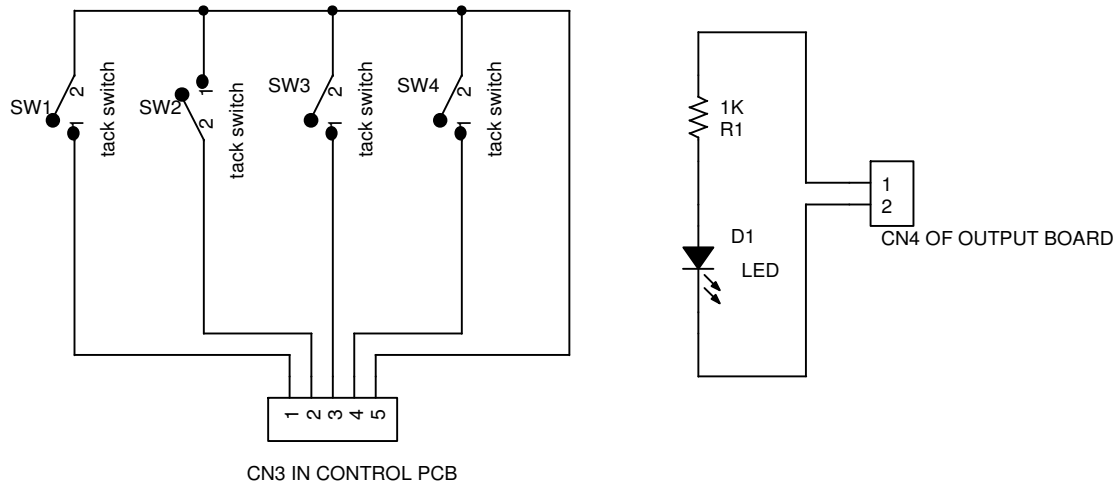
NO	DESCRIPTION	APP	CHK	DATE
A M E N D				
			17/09/2007	
SCHEMATIC CIRCUIT DIAGRAM OF PSP-ROTARY PCB				
DRG NO. SIL/16/0471	DRN. BY SHREEHARSHA.K	CHD. BY GAURAV	APPD. BY S.R. Shinde	REV. 00



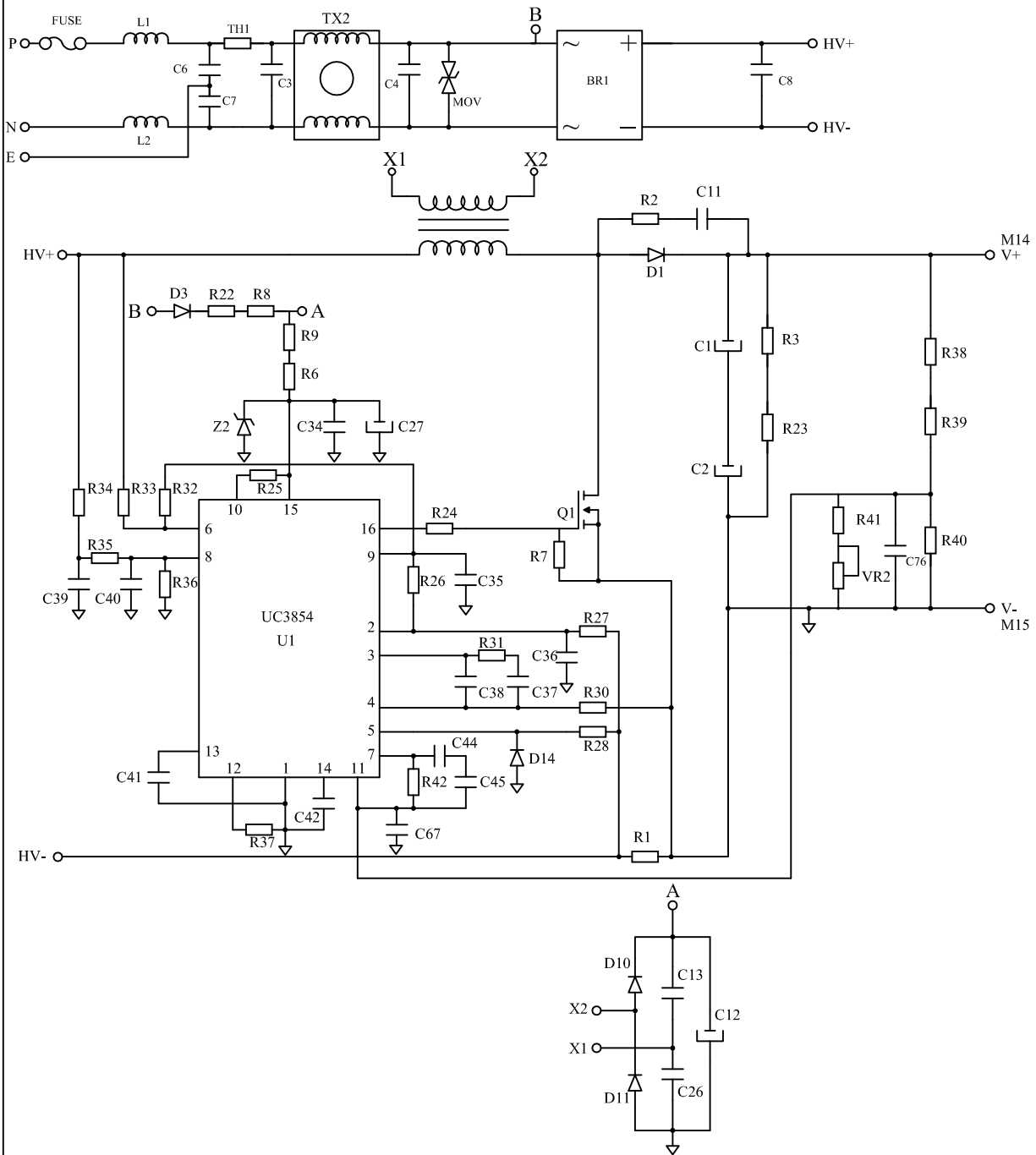
NO	DESCRIPTION	APP	CHK	DATE
A M E N D				
			DATE :- 20/09/2007	
SCHEMATIC CIRCUIT DIAGRAM OF PSP-PC INTERFACE-CONTROL				
DRG NO. SIL/16/0470	DRN. BY SHREEHARSHA.K	CHD. BY GAURAV	APPD. BY S.R. Shinde	REV. 00



NO	DESCRIPTION	APP	CHK	DATE
AMEND				
				DATE :- 1/04/07
SCHEMATIC CIRCUIT DIAGRAM OF PSP 1405-OUTPUT CONVERTER				
DRG NO. SIL/16/0455	DRN. BY PRASAD	CHD. BY GAURAV	APPD. BY S.R. Shinde	REV. 00



NO	DESCRIPTION	APP	CHK	DATE
A M E N D				
			DATE :- 26/09/2K7	
SCHEMATIC CIRCUIT DIAGRAM OF KEYBOARD PCB				
DRG NO. SIL/16/0469	DRN. BY SHREEHARSHA.K	CHD. BY GAURAV	APPD. BY S.R. Shinde	REV. 00



NOS.	VALUES	NOS.	VALUES	NOS.	VALUES
R1	0.22E,5W	C1	470uF/250V ELCO	Z2	20V,1W
R8	10K,5W MOR	C2	470uF/250V ELCO		
R9	68E,3W MOR	C3	0.1uF X2		
R24	15E	C4	0.1uF X2		
R25	100K 1206	C5	NC	BR1	PBU805
R26	10K 1206	C6	4n7 Y2		
R27	1K5 1206	C7	4n7 Y2	TH1	20SP020
R28	4K7 1206	C8	0.1uF X2		
R30	4K7 1206	C11	N.C.	MV1	V14K/ 275V
R31	22K 1206	C12	47uF/50V ELCO		
R32	220K 1206	C13	100nF 1206	Q1	IRF840
R33	1M 1/4W	C26	100nF 1206		
R34	1M 1/4 W	C34	100nF 1206	U1	UC3854
R35	100K 1206	C35	100nF 1206		
R36	22K 1206	C36	470pF 1206	D10	UF4003
R37	15K 1206	C37	680pF 1206	D11	UF4003
R38	220K 1206	C38	68pF 1206	D3	1N4007
R39	220K 1206	C39	100nF 1206	D14	1N4148
R40	22K 1206	C40	470nF 1206	D1	HFA08TB60
R41	12K 1206	C41	22nF 1206		
R42	180K 1206	C42	1nF 1206	VR2	1K PRESET
R6	68E,3W MOR	C43	47nF 1206	TX1	CMC FSP
R22	10K, 5W MOR	C67	10pF 1206	TX2	PFC CHOKE - PSP
R7	10K	C76	1nF 1206	L1	5mm ROD INDUCTOR
R2	N.C.	C27	47uF/50V ELCO	L2	5mm ROD INDUCTOR
		C44	N.C.		
		C45	N.C.		

NOS.	DESCRIPTION	APPD.	CHK.	DATE
A M E N D				
				DATE:- 10 / 08 / 07
SCHEMATIC CIRCUIT DIAGRAM OF PSP ACTIVE PFC-0454				
DRG. NO.:	DRN. BY	CHD. BY	APPD. BY	REV.
SIL/16/0454	TOHID	GAURAV	S.R.Shinde	0 0