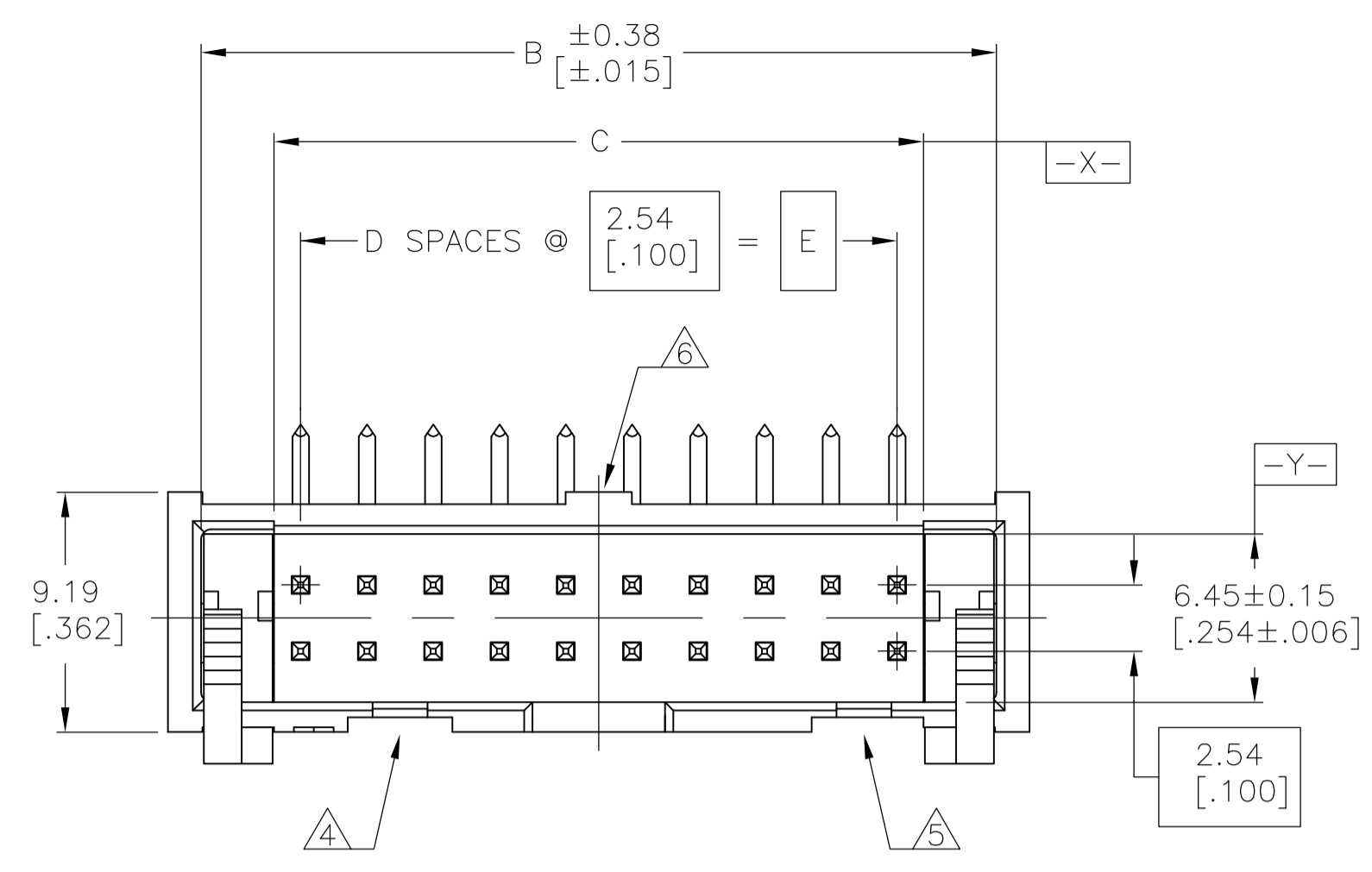
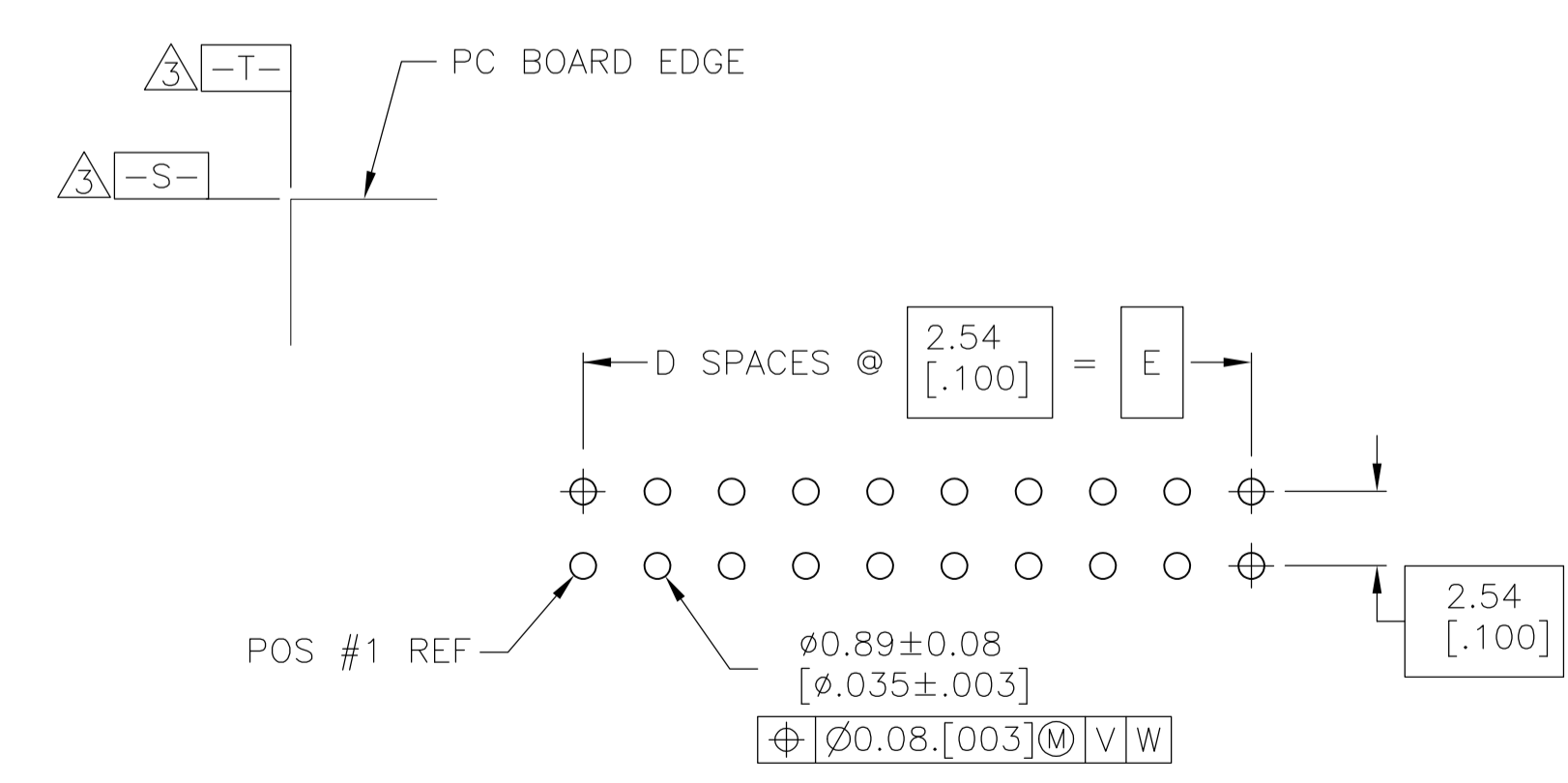
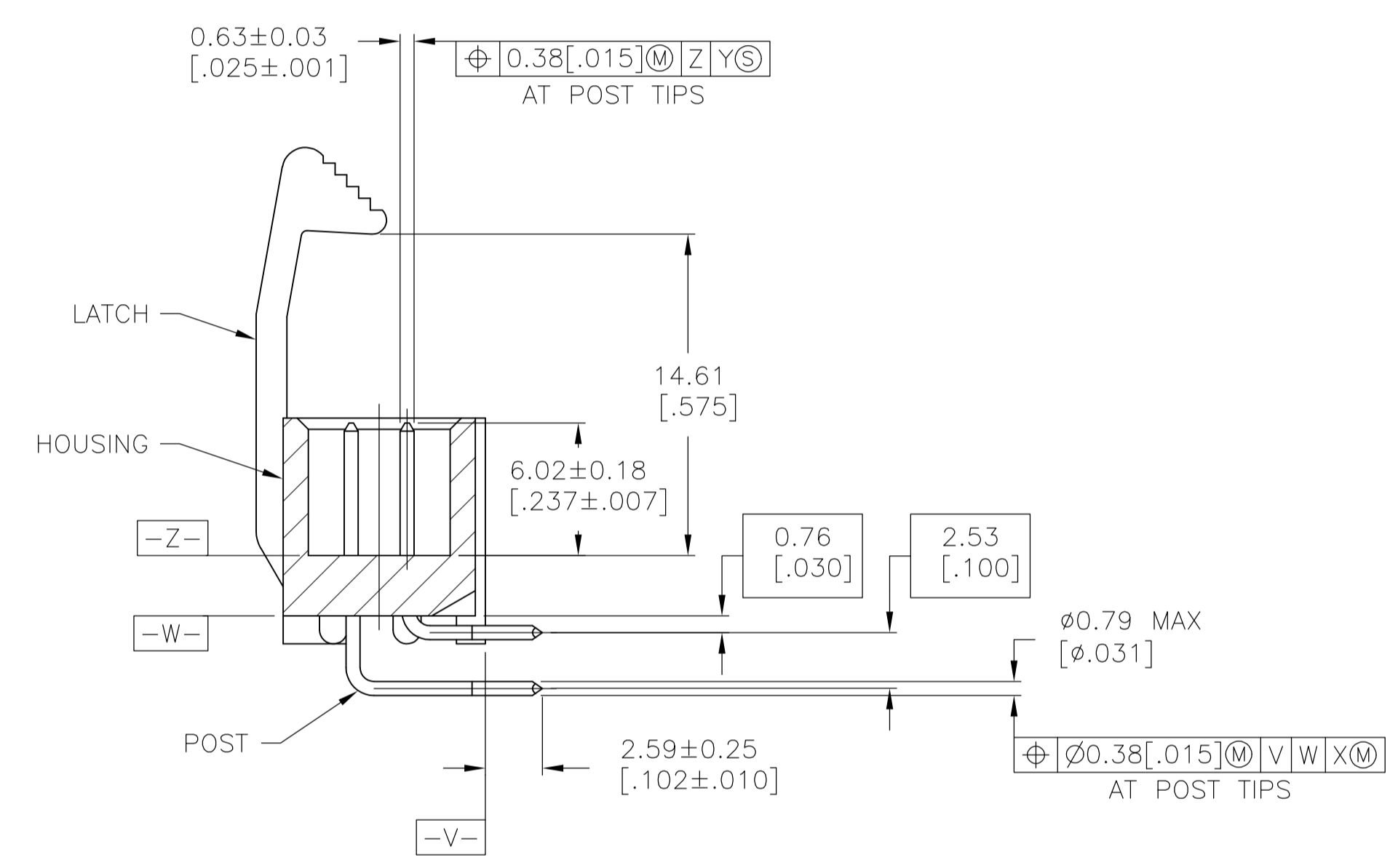
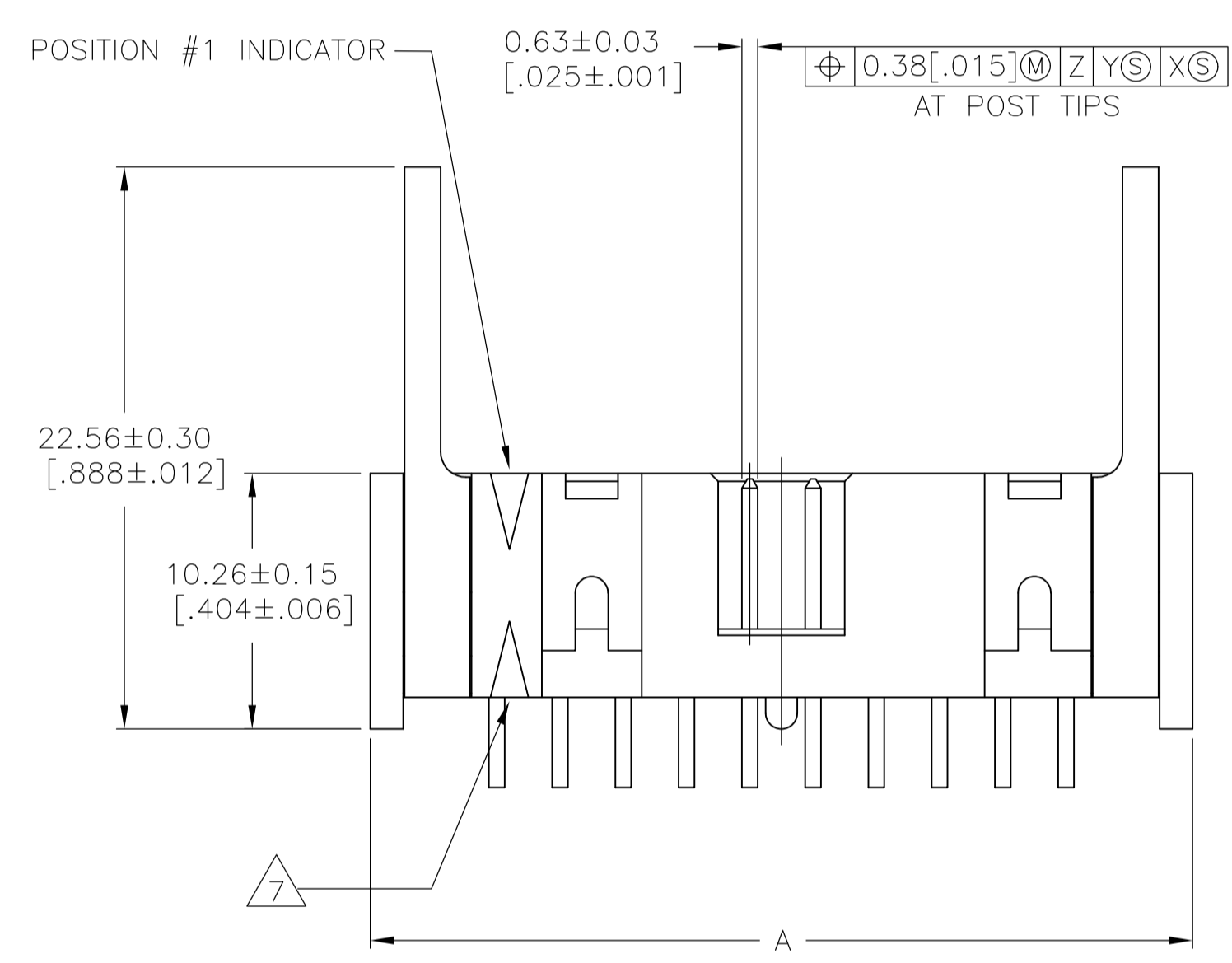


LOC		DIST		REVISONS			
GP	00	P	LTR	DESCRIPTION	DATE	DN	APVD
G1				REVISED PER ECO-11-004835	11MAR11	RK	HMR



- △ HOUSING: PBT, UL94V-0, COLOR (SEE TABLE).
POSTS: PHOSPHOR BRONZE.
LATCHES: ZINC ALLOY.
- △ POSTS: GOLD FLASH OVER PALLADIUM-NICKEL PLATE, 0.76µm[.000030] MIN TOTAL ON MATING AREA, 2.54µm[.000100] MIN TIN PLATE ON SOLDER-TAIL, ALL OVER 1.27µm[.000050] MIN NICKEL UNDERPLATE ON ENTIRE POST.
OR
0.76µm[.000030] MIN GOLD PLATE ON MATING AREA, 2.54µm[.000100] MIN TIN PLATE ON THE SOLDER-TAIL, 1.27µm[.000050] MIN NICKEL UNDERPLATE ON THE ENTIRE POST.
LATCHES: BLACK NICKEL OVER COPPER.
- △ DATUMS S & T TO BE ESTABLISHED BY CUSTOMER.
- △ NO KEYING SLOT ON THIS END FOR 6, 8, 10 & 14 POSITION ASSEMBLIES.
- △ NO KEYING SLOT ON THIS END FOR 6, 8 & 10 POSITION ASSEMBLIES.
- △ NO STANDOFF FOR 6, 8, 10, 14 & 16 POSITION ASSEMBLIES.
- △ ALTERNATE LOCATION/ORIENTATON FOR POSITION #1 INDICATOR.



RECOMMENDED PC BOARD LAYOUT
(VIEWED FROM CONNECTOR SIDE)

BLUE	78.74 [3.100]	31	80.77 [3.180]	86.26 [3.396]	88.90 [3.500]	64	3-1761607-7
BLUE	73.66 [2.900]	29	75.69 [2.980]	81.18 [3.196]	83.82 [3.300]	60	3-1761607-6
BLUE	60.96 [2.400]	24	62.99 [2.480]	68.48 [2.696]	71.12 [2.800]	50	3-1761607-5
BLUE	48.26 [1.900]	19	50.29 [1.980]	55.78 [2.196]	58.42 [2.300]	40	3-1761607-3
BLUE	40.64 [1.600]	16	42.67 [1.680]	48.16 [1.896]	50.80 [2.000]	34	3-1761607-1
OBSELETE	35.56 [1.400]	14	37.59 [1.480]	43.08 [1.696]	45.72 [1.800]	30	3-1761607-0
BLUE	30.48 [1.200]	12	32.51 [1.280]	38.00 [1.496]	40.64 [1.600]	26	2-1761607-9
BLUE	27.94 [1.100]	11	29.97 [1.180]	35.46 [1.396]	38.10 [1.500]	24	2-1761607-8
BLUE	22.86 [900]	9	24.89 [980]	30.38 [1.196]	33.02 [1.300]	20	2-1761607-7
BLUE	17.78 [700]	7	19.81 [780]	25.30 [996]	27.94 [1.100]	16	2-1761607-6
BLUE	15.24 [600]	6	17.27 [680]	22.76 [896]	25.40 [1.000]	14	2-1761607-5
BLUE	10.16 [400]	4	12.19 [480]	17.68 [696]	20.32 [800]	10	2-1761607-3
BLUE	7.62 [300]	3	9.65 [380]	15.14 [596]	17.78 [700]	8	2-1761607-2
BLUE	5.08 [200]	2	7.11 [280]	12.60 [496]	15.24 [600]	6	2-1761607-1
BLACK	73.66 [2.900]	29	75.69 [2.980]	81.18 [3.196]	83.82 [3.300]	60	1-1761607-6
BLACK	60.96 [2.400]	24	62.99 [2.480]	68.48 [2.696]	71.12 [2.800]	50	1-1761607-5
BLACK	48.26 [1.900]	19	50.29 [1.980]	55.78 [2.196]	58.42 [2.300]	40	1-1761607-3
BLACK	40.64 [1.600]	16	42.67 [1.680]	48.16 [1.896]	50.80 [2.000]	34	1-1761607-1
BLACK	30.48 [1.200]	12	32.51 [1.280]	38.00 [1.496]	40.64 [1.600]	26	1761607-9
BLACK	22.86 [900]	9	24.89 [980]	30.38 [1.196]	33.02 [1.300]	20	1761607-7
BLACK	17.78 [700]	7	19.81 [780]	25.30 [996]	27.94 [1.100]	16	1761607-6
BLACK	15.24 [600]	6	17.27 [680]	22.76 [896]	25.40 [1.000]	14	1761607-5
BLACK	10.16 [400]	4	12.19 [480]	17.68 [696]	20.32 [800]	10	1761607-3
HOUSING COLOR	E	D	C	B	A	NO OF POS	PART NUMBER

THIS DRAWING IS A CONTROLLED DOCUMENT.

DIMENSIONS: mm [INCHES]

TOLERANCES UNLESS OTHERWISE SPECIFIED:

0 PL	±	-
1 PL	±	-
2 PL	±	-
3 PL	±	0.13[.005]
4 PL	±	-
ANGLES	±	-

MATERIAL: △ FINISH: △

APPROVED: J. GERACE 15FEB05, S. BOLASH 15FEB05, M. WALMSLEY 15FEB05

NAME: HEADER ASSEMBLY, RIGHT ANGLE, LONG EJECT LATCH, LOW PROFILE, IDC

APPLICATION SPEC: -

SIZE: A1, CAGE CODE: 00779, DRAWING NO: 1761607

WEIGHT: -

CUSTOMER DRAWING

SCALE: 4:1, SHEET: 1 OF 1, REV: G1