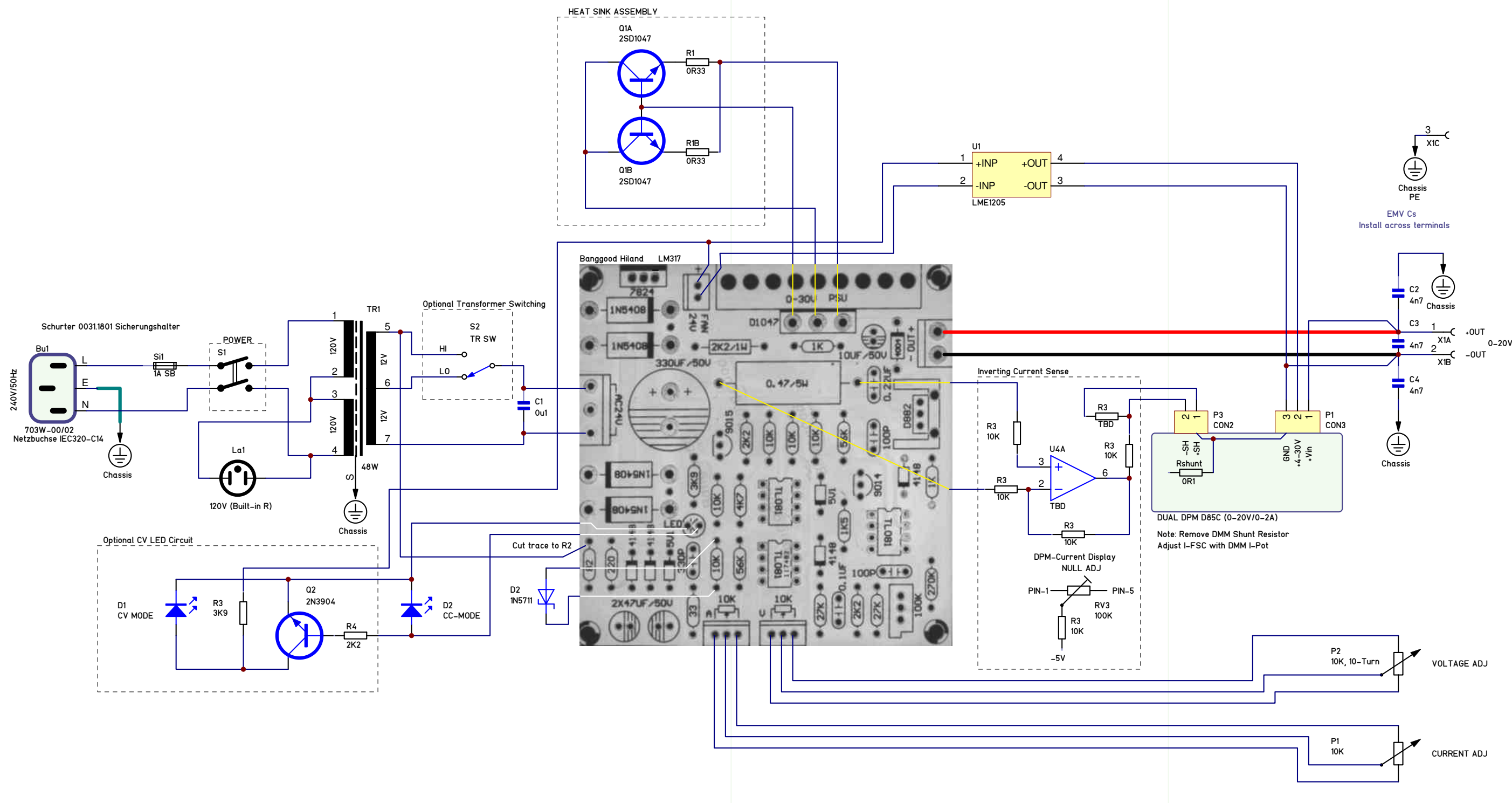


POWER SUPPLY ENCLOSURE



Unless otherwise specified, all values are as follows:  
 resistor values are in Ohms, i.e. 0R47, 5R6, 220, 5K6, 22K  
 capacitor values are in Microfarads, i.e. 220p, 0u1, 2u2, 33  
 inductor values are in Microhenries, i.e. 0u22, 5u6, 68, 2m2

This drawing is our property. Duplication, unauthorized use of any kind is prohibited.  
 Without Approval use only for inquiry.

Approval:

PCB Name: <b>BG LNG PCB</b>		Title: <b>BG Labornetzteil Verdrahtungsplan</b>	
PCB Nr.: <b>5500-000</b>		Used in: <b>LNG202</b>	
PCB Type: <b>FR4 2L 1LL 2SM 1.6mm</b>		Scale: <b>EL</b>	
Change Index	Change Notification Nr.	Date	Name
Drawn	28-Feb-2018	GJO	
Modified			
Checked			
<input checked="" type="checkbox"/> Prototype	<input type="checkbox"/> Production	<input type="checkbox"/> No	BOM Done?

Repl. for: <b>N/A</b>	Build No.: <b>1</b>
Prj. Nr.: <b>17014</b>	Drw. Nr.: <b>4415-0060</b>
Drw. Type: <b>EL WIRING</b>	Size: <b>A3</b> Rev: <b>1</b>
File: <b>4415-0060_LNG_Wiring.sch</b>	