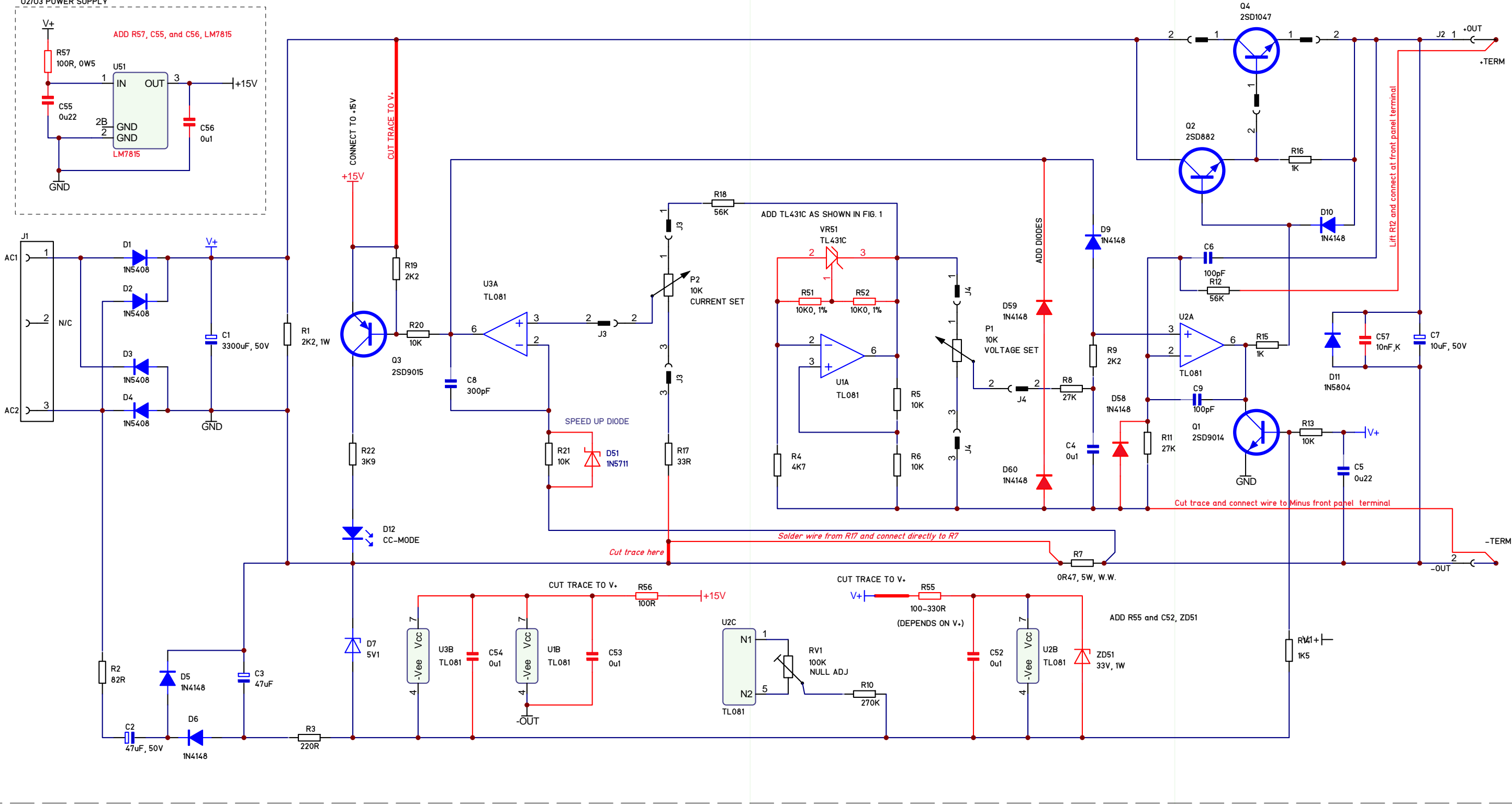
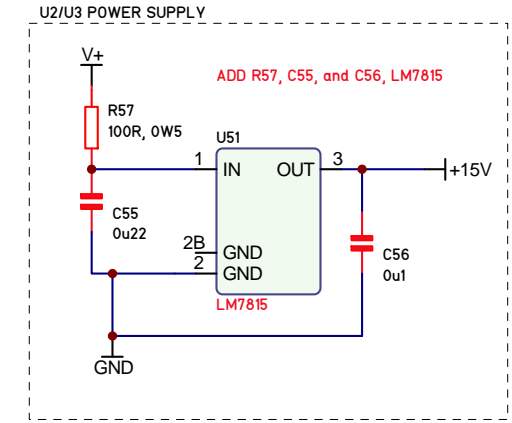


BANGGOOD PCB OUTLINE



Unless otherwise specified, all values are as follows:
 resistor values are in Ohms, i.e. 0R47, 5R6, 220, 5K6, 22K
 capacitor values are in Microfarads, i.e. 220p, 0u1, 2u2, 33
 inductor values are in Microhenries, i.e. 0u22, 5u6, 68, 2m2

This drawing is our property. Duplication, unauthorized use of any kind is prohibited.
 Without Approval use only for inquiry.

Approval:

Drawn	Date	Name
Modified	11-Dec-2017	GJO
Checked		
<input checked="" type="checkbox"/> Prototype	<input type="checkbox"/> Production	<input type="checkbox"/> No BOM Done?

PCB Name: LNG Control Board		Scale: EL	
PCB Nr. N/A			
PCB Type: FR4 2L 2SM RED 1LL 1.6mm			

Title: BG/HIL LNG Easy Mods			
Used in	LNG	Repl.for	N/A
Build No.	1	Prj. Nr.	17014
Drw. Type:	PCB SCHEMATIC	Drw. Nr.	4415-0054
Size:	A3	Rev:	1.2
File: 4415-0054_LNG_V1.2_Original.sch			
Sheet 1 of 1			