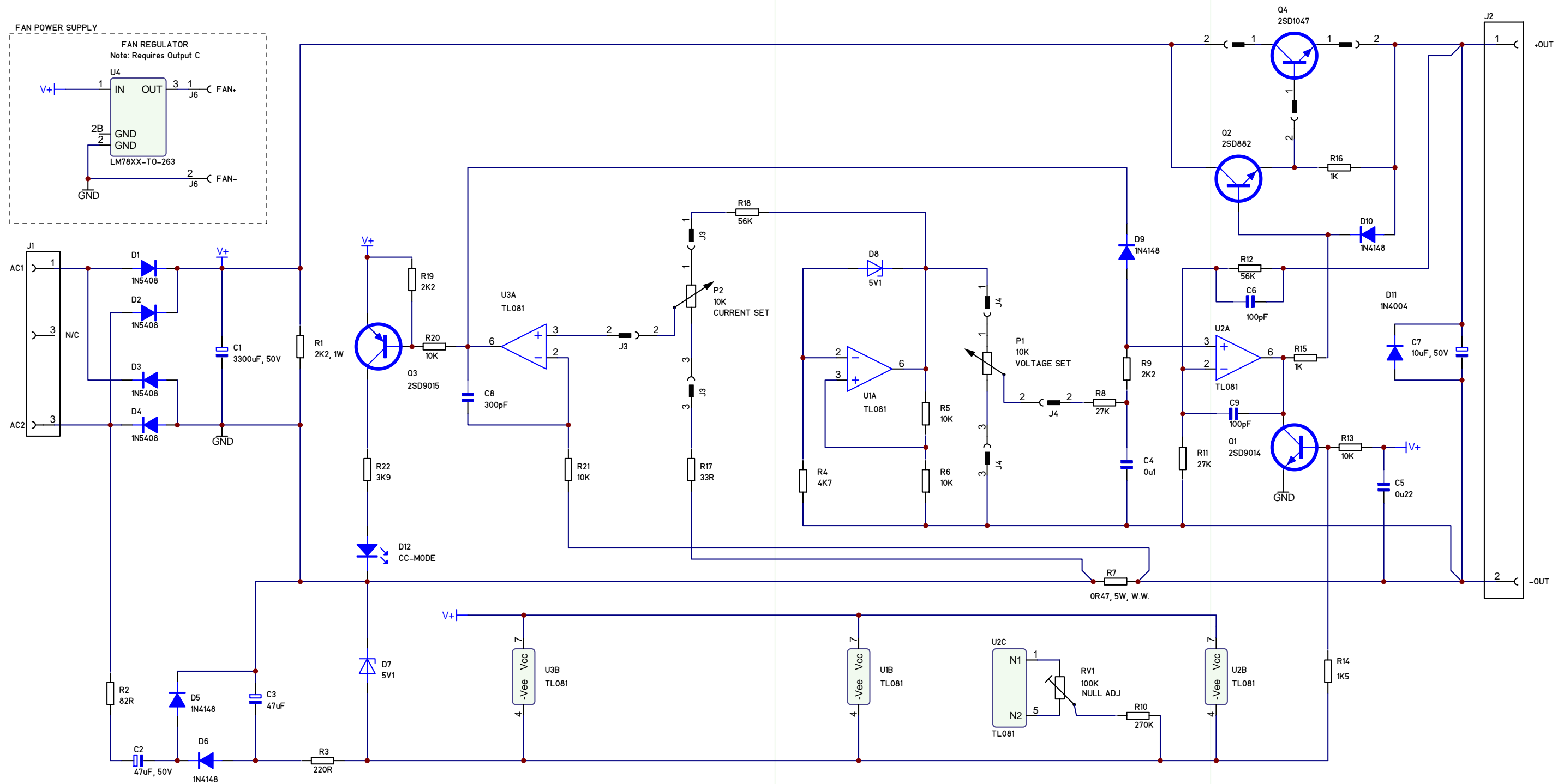
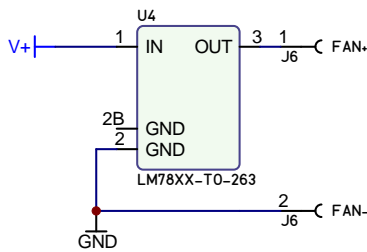


BANGGOOD PCB OUTLINE

FAN POWER SUPPLY

FAN REGULATOR
Note: Requires Output C



Unless otherwise specified, all values are as follows:
resistor values are in Ohms, i.e. 0R47, 5R6, 220, 5K6, 22K
capacitor values are in Microfarads, i.e. 220p, 0u1, 2u2, 33
inductor values are in Microhenries, i.e. 0u22, 5u6, 68, 2m2

This drawing is our property. Duplication, unauthorized use of any kind is prohibited.
Without Approval use only for inquiry.

Approval:

PCB Name: LNG Control Board		Title: Original BG/HIL LNG Schematic	
PCB Nr.: N/A		Used in: LNG	
PCB Type: FR4 2L 2SM RED 1LL 1.6mm		Scale: EL	
Change Index		Change Notification Nr.	
Drawn: 3-Dec-2017	Name: GJO	Date	Name
Modified			
Checked			
<input checked="" type="checkbox"/> Prototype <input type="checkbox"/> Production <input type="checkbox"/> BOM Done?		Drw. Type: PCB SCHEMATIC Size: A3 Rev: 1 File: 4415-0054_LNG_V1_Original.sch	

Repl for: N/A	Build No.: 1
Prj Nr: 17014	Drw. Nr: 4415-0054
Sheet 1 of 1	