

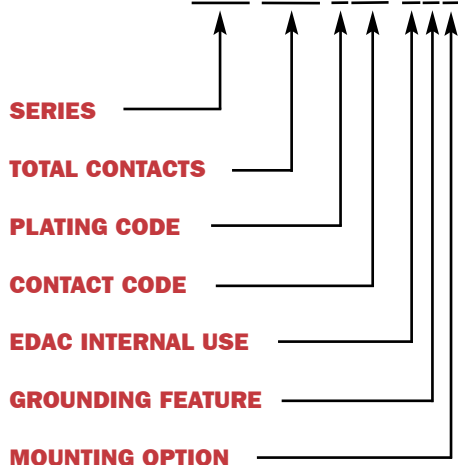
633/634 SERIES



633/634 SERIES ORDERING CODE

Example:

634-015-632-042



FEATURES

- High-density three contact rows with .350" (8.89mm) footprint right angle bend.
- .090" (2.29mm) contact spacing x .078" (1.98mm) row spacing.
- Optional 9th contact recessed by .050" (1.27mm) on 15-pin part, in accordance with VESA Display Data Channel Standard.
- Receptacles and plugs 15-, 26-, 44-, 62- and 78-pin contact sizes.
- Socket contact mating design with PC tail termination.
- Metal shell provides EMI/RFI shielding. Plug shell indents provide grounding and additional mating retention.
- Grounding features include top or bottom ground plates and two- or four-prong boardlock for exceptional retention to PC board.
- Mounting options for panel mount or connector mating include through-hole, threaded inserts and threaded standoffs.
- D-shaped connector mating outline provides polarization design based on requirements of MIL-C-24308, EIA RS-232 and RS-449.

SPECIFICATIONS

- Insulator Material: Thermoplastic polyester, UL 94V-0; chemical resistant; colour - black or blue.
- Ferrite Specifications: Attenuation - 17dB MIN @ 30Mhz, 25dB MIN @ 50Mhz and 40dB @ 100Mhz.
- Contact Material: receptacle contacts - phosphor bronze.
- Contact Plating: Gold (see *Ordering Code*) over nickel for the mating area, tin/lead plating on contact tails.
- Shell Material: Tin/lead plated steel.
- Current Rating: 5 amperes.
- Contact Resistance: 10 milliohms maximum.
- Dielectric Withstanding Voltage: 1000V AC rms at sea level.
- Insulation Resistance: 5000 megohms minimum.
- Operating Temperature: -55° to +125° C.
- Engagement and Separation Force: 1 to 10 oz. (0.28 to 2.78 N) per contact position.

SERIES

- 633**Plug
- 634**.....Receptacle

TOTAL OF CONTACTS

015, 026, 044, 062 (078 - Female Only)

PLATING CODE

- 2**Gold Flash (Class 3)
- 5**10µ" (0.25µm) (Class 2)
- 6**30µ" (0.76µm) (Class 1)

CONTACT CODE

- 63**Standard contacts, black plastic
- 68**Ferrite filter
- 73** ...9th contact recessed .050" (1.27mm), black insulator
- 74**9th contact recessed .050" (1.27mm), blue insulator

EDAC INTERNAL USE

- 0**Indicates generic internal use code

GROUNDING FEATURE

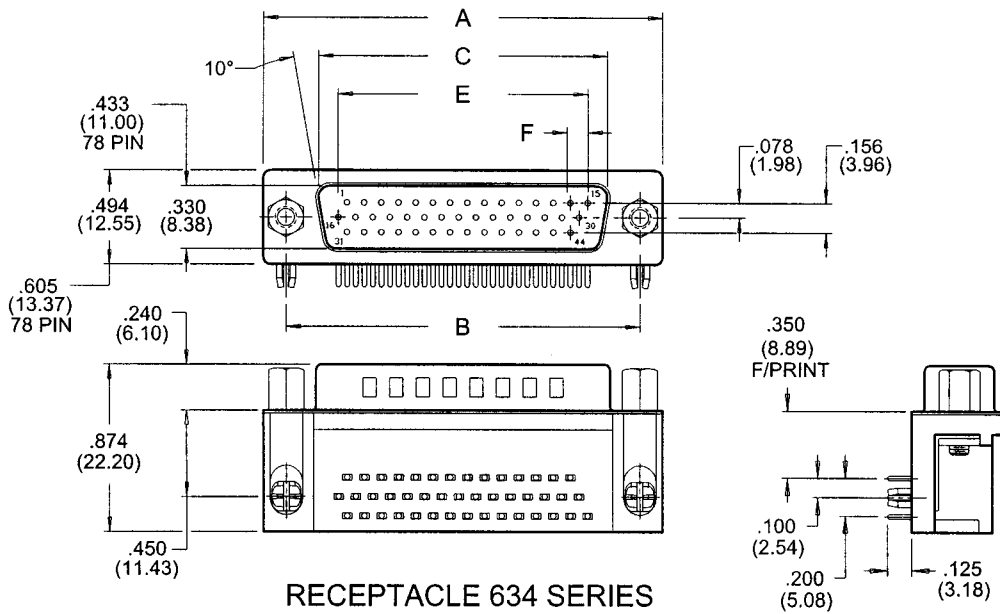
- 1**120" (3.05mm) dia. through-hole top ground
- 2** .. .120" (3.05mm) dia. through-hole bottom ground (633)
- 3**Two-prong boardlocks for .120" (3.05mm) dia. hole
- 4** ...Four-prong boardlocks for .120" (3.05mm) dia. hole
- 9**High-temperature four-prong boardlocks

MOUNTING OPTION

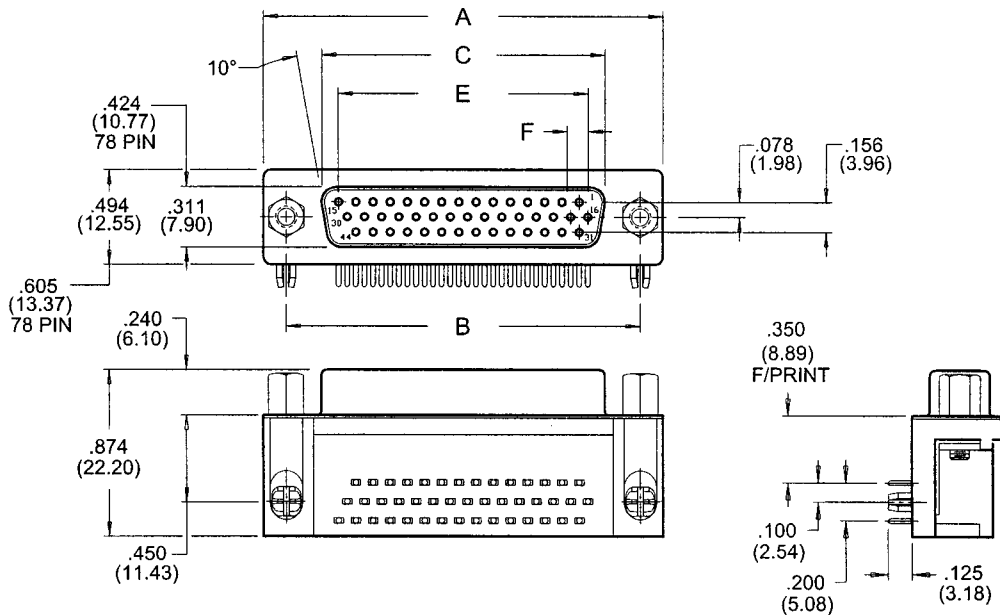
- 0**#4-40 UNC standoff w/ threaded insert
- 1**..... .125" (3.18mm) dia. through-hole
- 2**.....#4-40 UNC threaded insert
- 3**.....#4-40 UNC hex standoff w/ threaded insert

633/634 SERIES

PLUG 633 SERIES



RECEPTACLE 634 SERIES



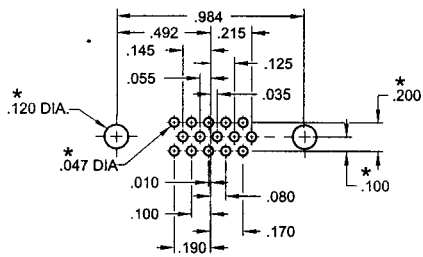
NUMBER OF CONTACTS	A		B		C PLUG		C RECEPTACLE		E		F	
	Inch	(mm)	Inch	(mm)	Inch	(mm)	Inch	(mm)	Inch	(mm)	Inch	(mm)
15	1.214	(30.84)	.984	(24.99)	.667	(16.92)	.640	(16.26)	.405	(10.29)	.090	(2.29)
26	1.545	(39.24)	1.312	(33.32)	.994	(25.25)	.967	(24.56)	.765	(19.43)	.090	(2.29)
44	2.088	(53.04)	1.852	(47.04)	1.534	(38.96)	1.508	(38.30)	1.305	(33.15)	.090	(2.29)
62	2.730	(69.34)	2.500	(63.50)	2.182	(55.42)	2.156	(54.76)	1.947	(49.45)	.095	(2.41)
78	2.635	(66.93)	2.406	(61.11)	2.090	(53.08)	2.064	(52.43)	1.805	(45.85)	.095	(2.41)

Plug and Receptacle, Right Angle, High-Density, .350" (8.89mm) Footprint

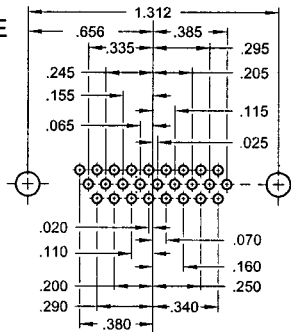
HOLE PATTERN RECOMMENDED

FOR SERIES 633 AND 634
 HOLE PATTERN SHOWN ARE FOR 634
 HOLE PATTERN FOR 633 ARE MIRROR IMAGE

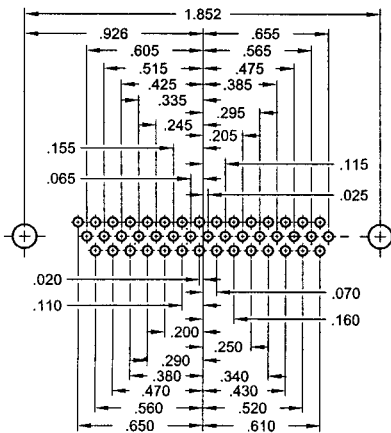
15 SIZE



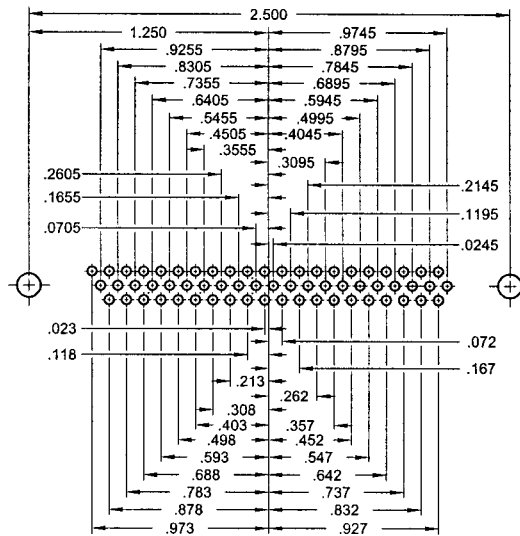
26 SIZE



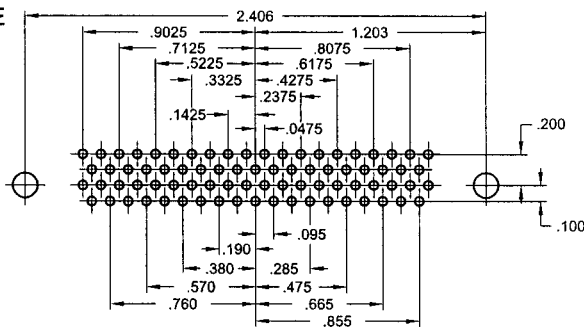
44 SIZE



62 SIZE



78 SIZE



* TYP. ON ALL PATTERNS

Series 633, 634