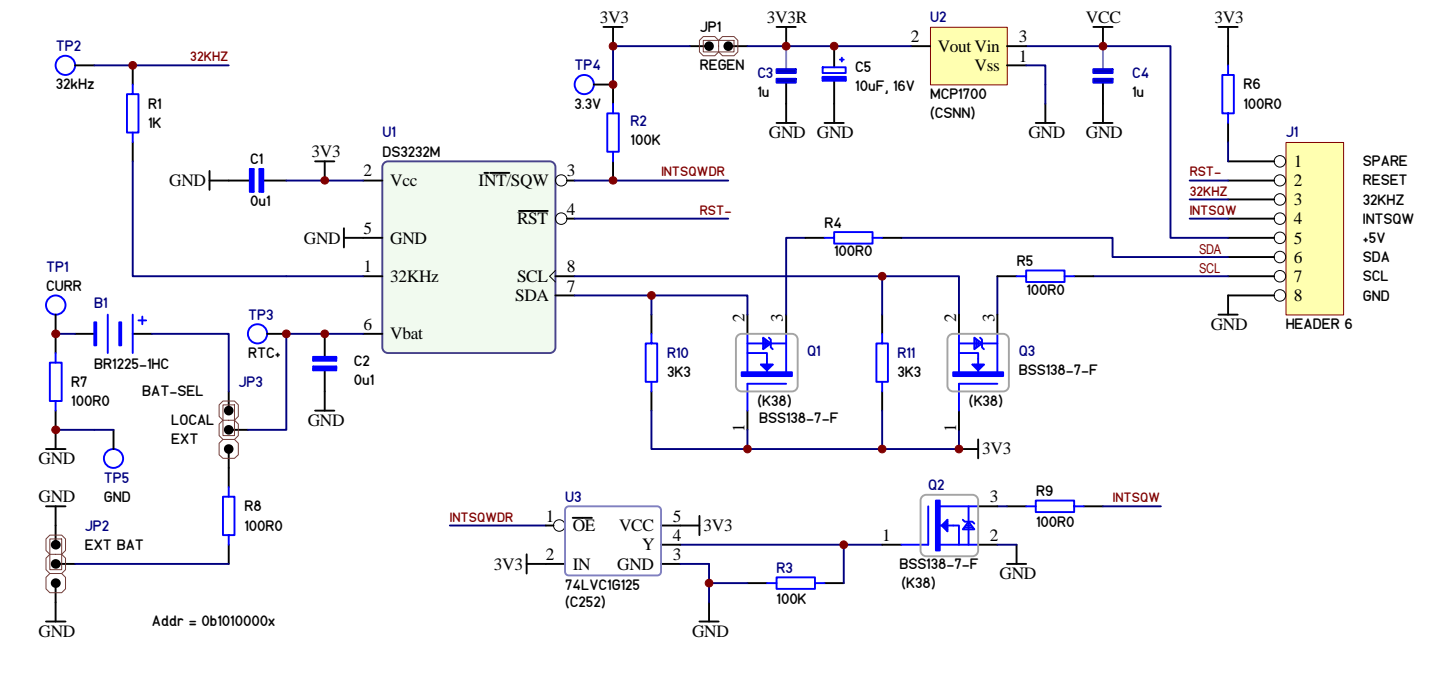


DS3232M RTC BOARD



Unless otherwise specified, all values are as follows:
 resistor values are in Ohms, i.e. 0R47, 5R6, 220, 5K6, 22K
 capacitor values are in Microfarads, i.e. 220p, 0u1, 2u2, 33
 inductor values are in Microhenries, i.e. 0u22, 5u6, 68, 2m2

This drawing is our property. Duplication, unauthorized use of any kind is prohibited.
 Without Approval use only for inquiry.

Approval:

Date	Name	Change Index	Change Notification Nr.	Date	Name
23-Apr-2018	GJO				

Prototype Production YES BOM Done?

PCB Name: DS3232M RTC BOARD
 PCB Nr.: 07014G-MRTC-R01
 PCB Type: FR4 2L 2SM 2LL 0.062

Title: DS3232M RTC BOARD

Used in: TEST Repl for: N/A Build No.: 1

Scale: N/A Prj. Nr: 07014G
 Drw. Type: PCB SCHEM.

Size: A Rev: 1 Drw. Nr: 07014G-SK10-RTCD-E01

File: SK10_RTC_IZC.SCH Sheet 1 of 1