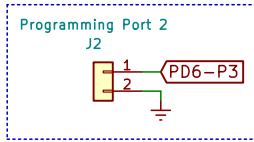
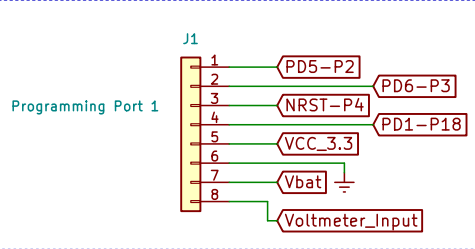
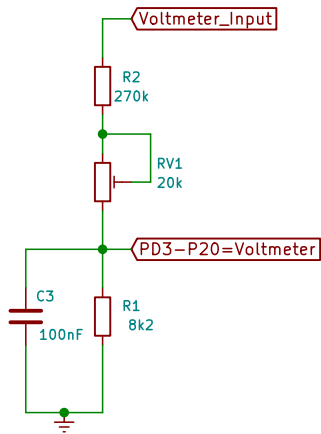


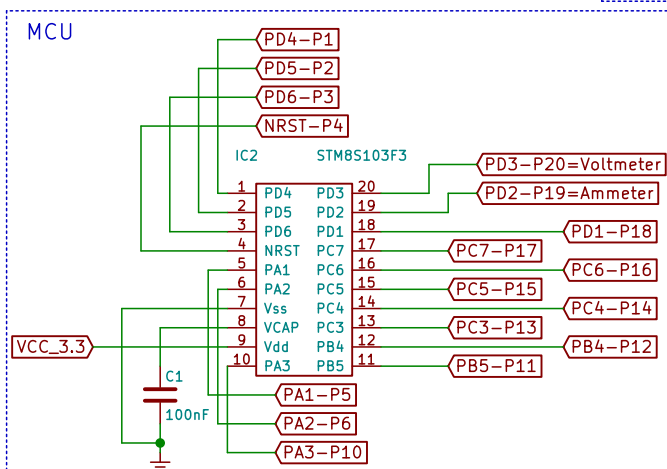
DSN-VC288 Volt/Current Meter



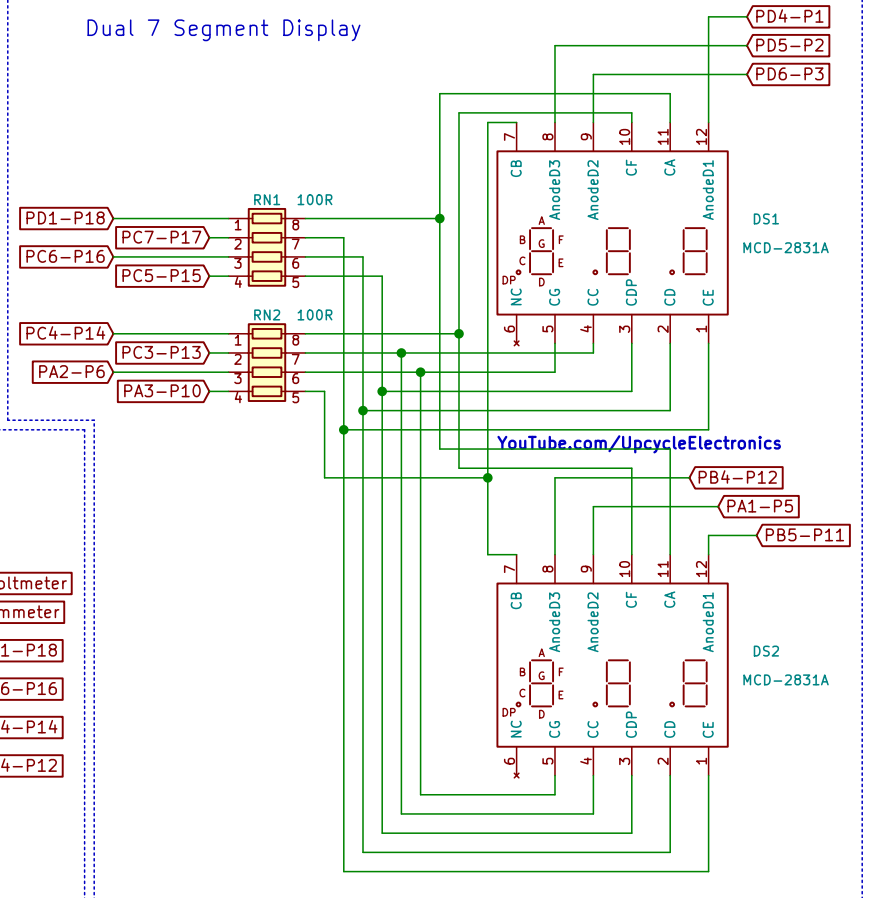
Voltmeter Input Divider



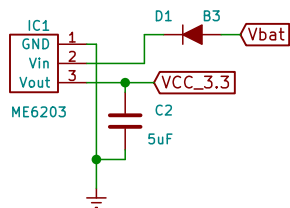
MCU



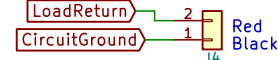
Dual 7 Segment Display



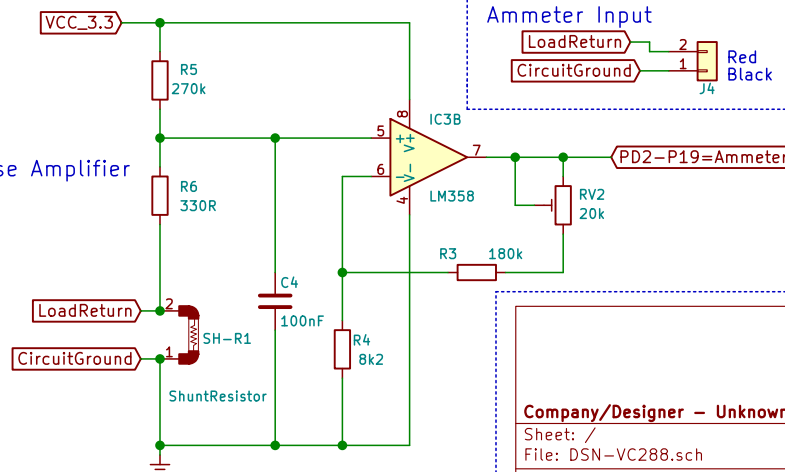
3.3 Volt Regulator



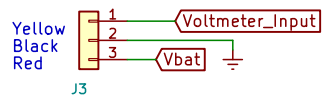
Ammeter Input



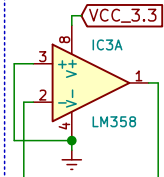
Ammeter Sense Amplifier



Power/Voltmeter Input



Unused



Company/Designer - Unknown

Sheet: /
File: DSN-VC288.sch

Title: Reverse Traced by Jake // YouTube.com/UpcycleElectronics

Size: User Date: 2018-03-21
KiCad E.D.A. kicad 4.0.7-e2-637658ubuntu16.04.1

Rev: v2.0
Id: 1/1