

Customer Information Sheet

DRAWING No.: S1711-XXR

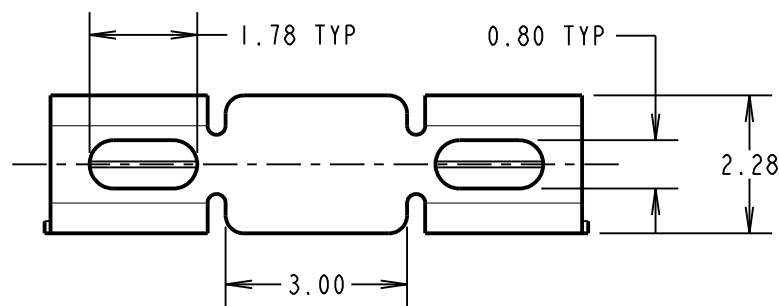
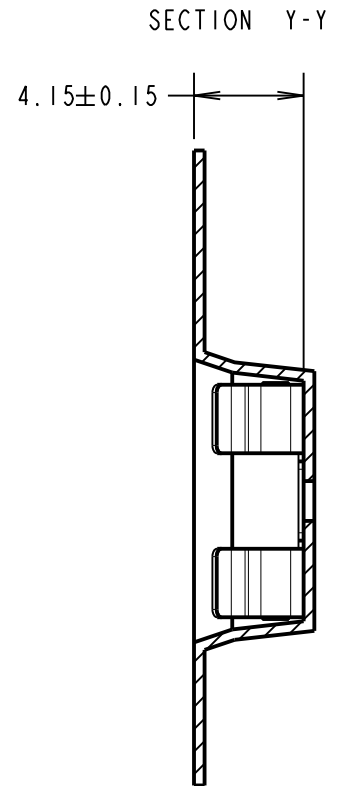
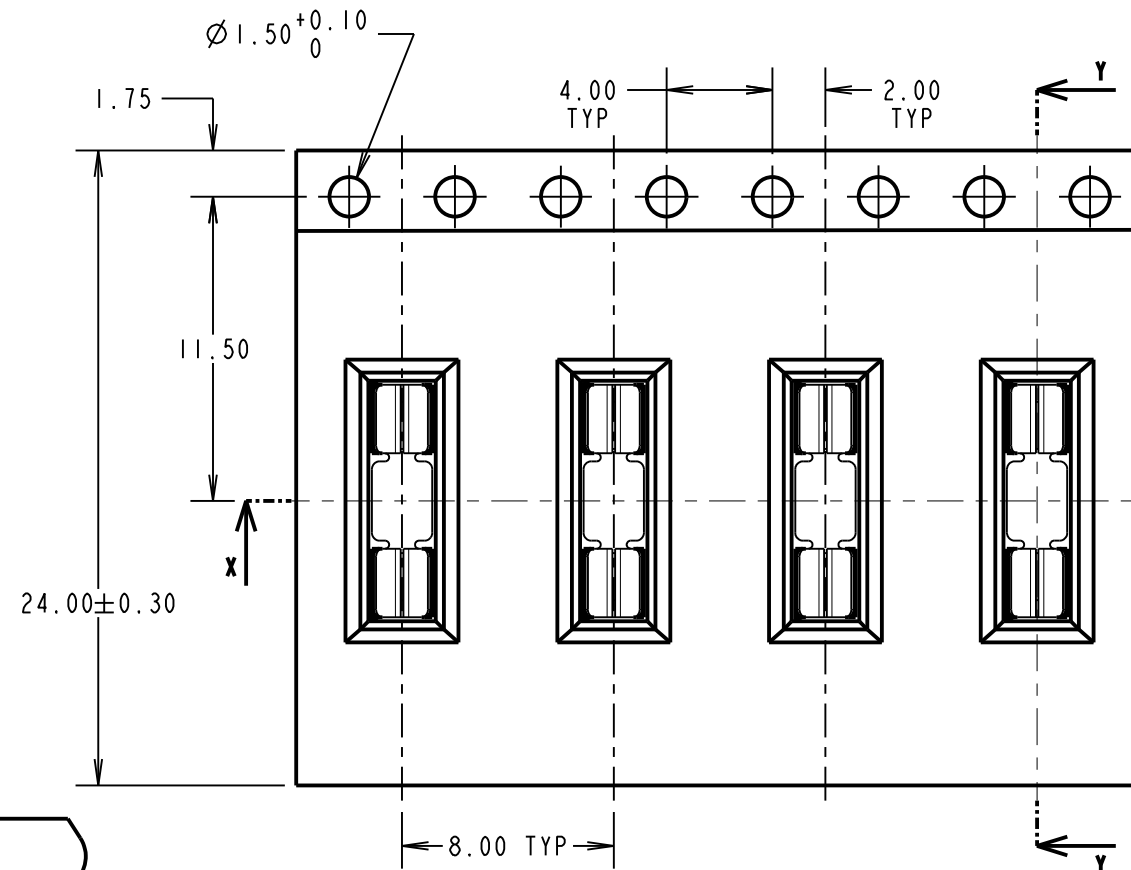
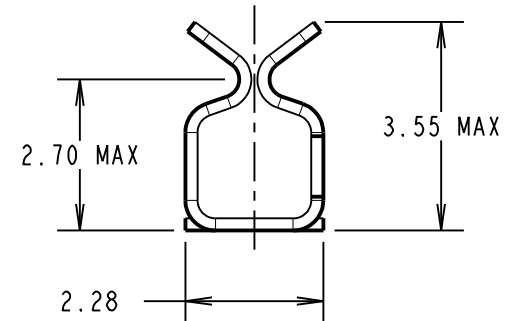
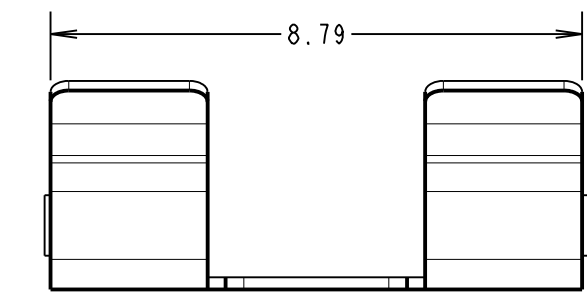
IF IN DOUBT - ASK

©

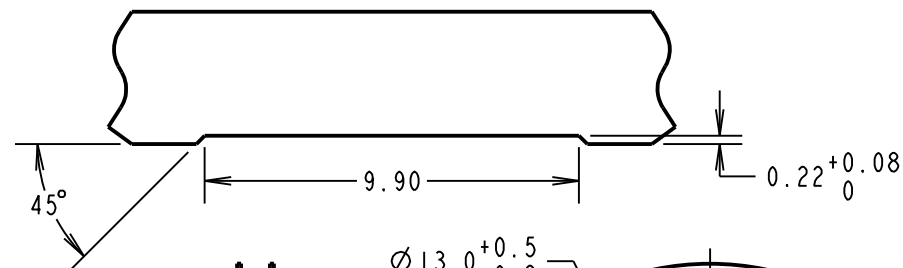
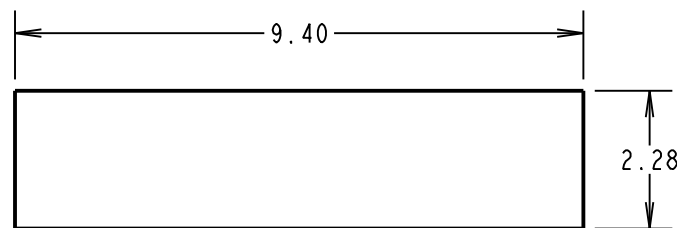
NOT TO SCALE

THIRD ANGLE PROJECTION

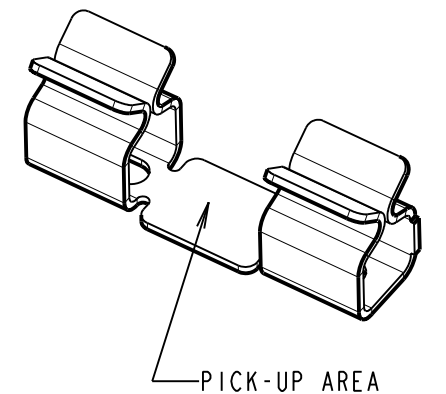
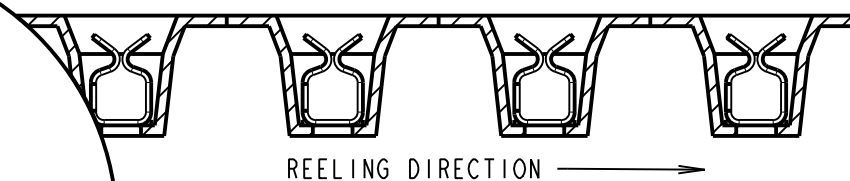
ALL DIMENSIONS IN mm



RECOMMENDED SHIELD CAN CUT OUT



SECTION X-X



COMPONENT SPECIFICATION:

MATERIAL = BERYLLIUM COPPER
FINISH:

~~06 = 2.5-3.5µ 90/10 TIN/LEAD,
OVER 2.0-4.0µ NICKEL~~
46 = 2.4-3.6µ 100% TIN,
OVER 2.0-2.8µ NICKEL.

ENVIRONMENTAL:

OPERATING TEMPERATURE = -40°C TO +125°C

PERFORMANCE SPECIFICATIONS:

INSERTION FORCE (AFTER CONDITIONING) = 4N MAX
WITHDRAWAL FORCE = 0.5N MIN
DURABILITY = 20 INSERTIONS MINIMUM
CONTACT RESISTANCE = 20mΩ MAX
SHIELD THICKNESS = 0.17mm - 0.30mm

NOTES:

- QUANTITY PER REEL = 1,900.
- THIS PRODUCT IS TAPED AND REELED IN ACCORDANCE WITH EIA-481 (ELECTRONIC INDUSTRIES ASSOCIATION).

ORDER CODE:

S1711-XXR

FINISH:

~~06 = TIN/LEAD OVER NICKEL~~
46 = 100% TIN OVER NICKEL

OBsolete

MSP	13	03.08.17	20719
NAME	ISS.	DATE	C/NOTE
APPROVED: M. PERREN			
CHECKED: S. BENNETT			
DRAWN: M. PLESTED			
CUSTOMER REF.:			
ASSEMBLY DRG:			

HARWIN

www.harwin.com
technical@harwin.com

THIS DRAWING AND ANY INFORMATION OR DESCRIPTIVE MATTER SET OUT HEREON ARE CONFIDENTIAL AND COPYRIGHT PROPERTY OF THE HARWIN GROUP AND MUST NOT BE DISCLOSED, LOANED, COPIED OR USED FOR MANUFACTURING, TENDERING OR FOR ANY OTHER PURPOSE WITHOUT THEIR WRITTEN PERMISSION.

TOLERANCES

X. = ±1mm
X.X = ±0.25mm
X.XX = ±0.10mm
X.XXX = ±0.01mm
ANGLES = ±5°
UNLESS STATED

MATERIAL:

SEE ABOVE

FINISH:

SEE ABOVE

S/AREA:

mm²

TITLE:

SMT RFI SHIELD CLIP
IN TAPE AND REEL

DRAWING NUMBER:

S1711-XXR

SHT
2 OF 2

Mouser Electronics

Authorized Distributor

Click to View Pricing, Inventory, Delivery & Lifecycle Information:

[Harwin:](#)

[S1711-06R](#) [S1711-46R](#)