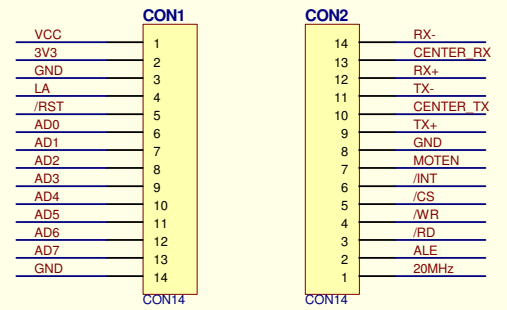
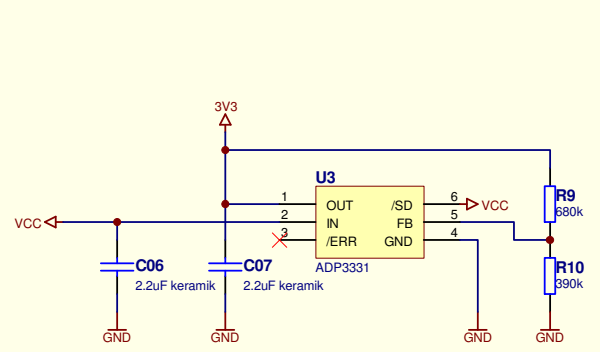
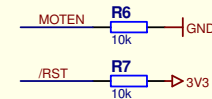
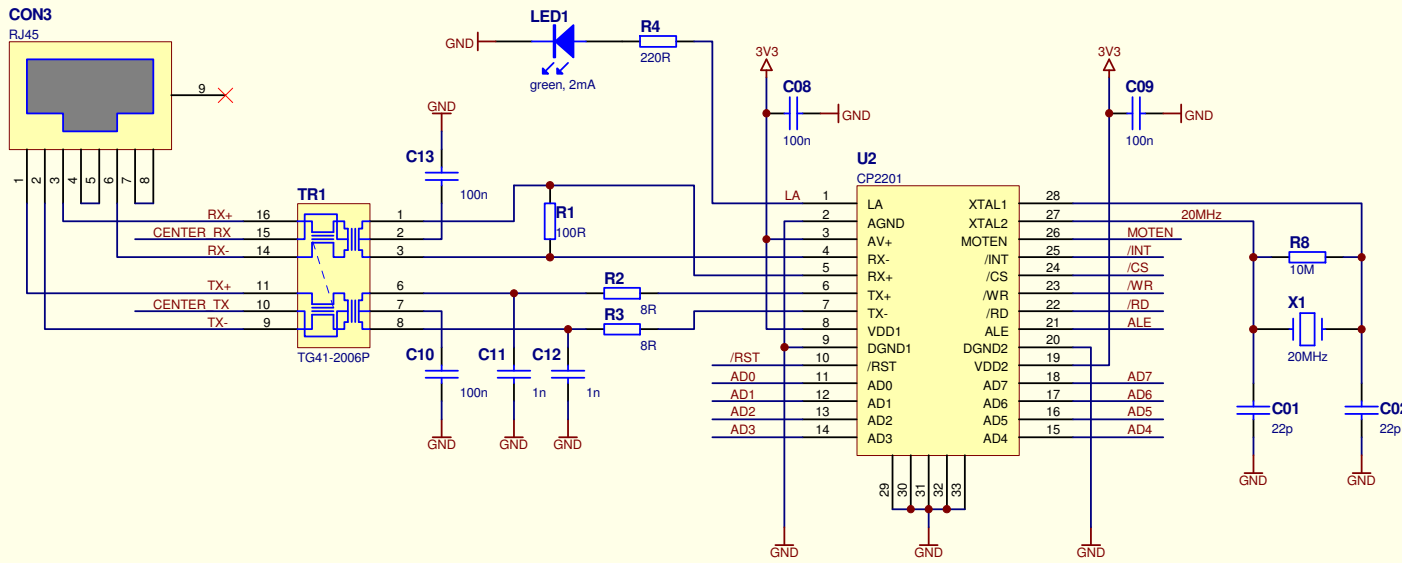



ioMate.NET V1.0



 chip45 chip45 GmbH & Co. KG http://www.chip45.com	Project Embedded Ethernet Modul with CP2201.		
	Name ioMate-2201.sch		
	Date: 8-Mar-2010	Modified:	Version V1.0
	Author:		1 von 1
	File: ioMate_2201.sch		